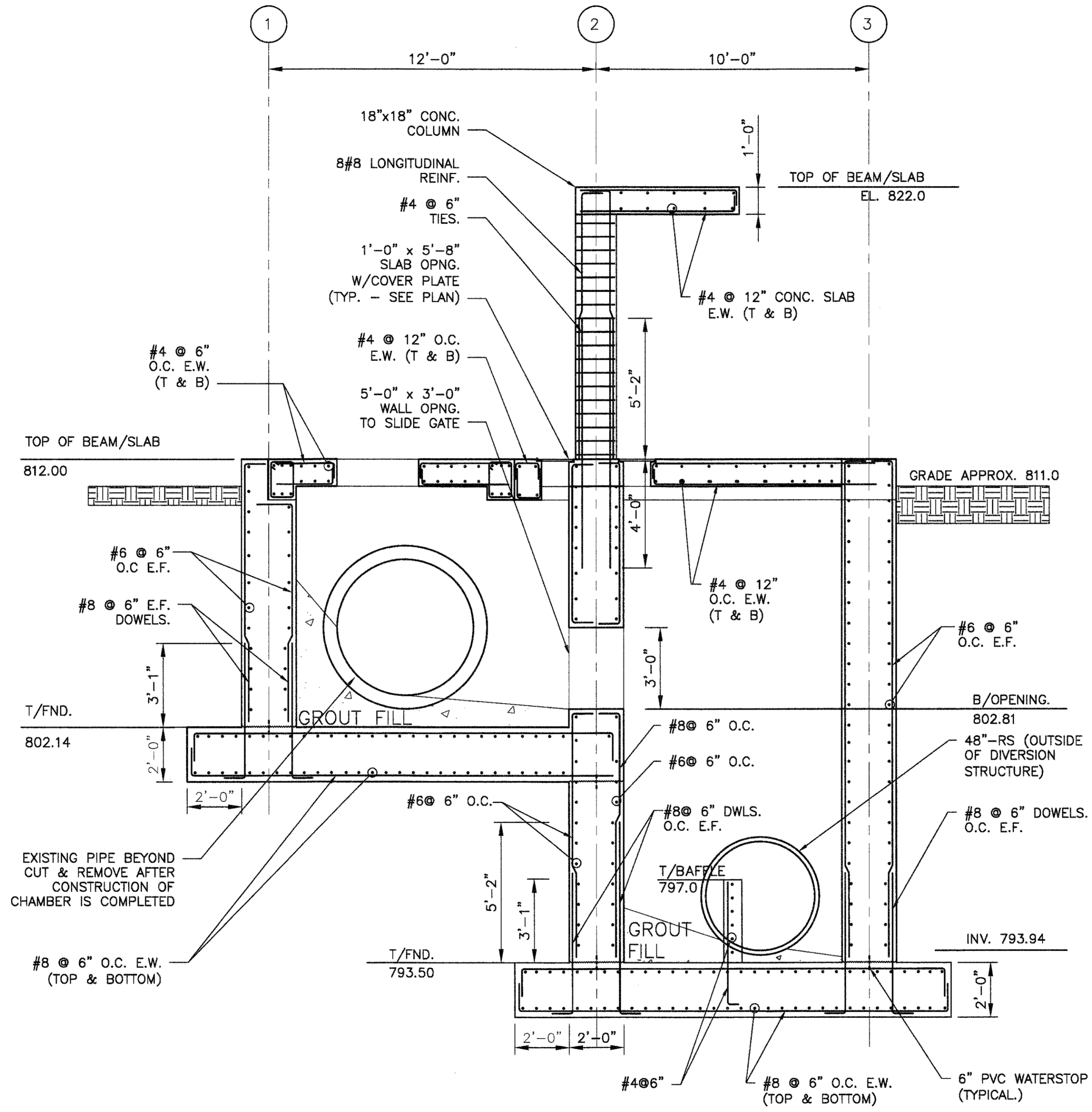
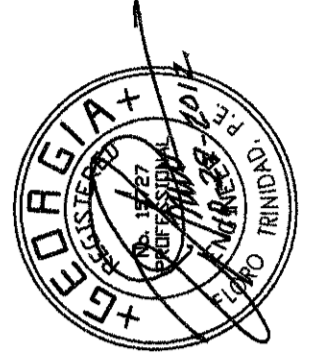


1 2 3 4 5 6 7 8

F
E
D
C
B
A



A SECTION
S2-301 SCALE: 3/8" = 1'-0"



PEACHTREE CREEK SOUTH FORK
RELIEF STORAGE AND PUMPING STATION



CITY OF ATLANTA
DEPARTMENT OF WATERSHED MANAGEMENT

REV	DATE	DESCRIPTION
0	10/28/12	100 PERCENT BID PACKAGE

THIS LINE IS ONE INCH LONG WHEN PLOTTED FULL SCALE
THIS DRAWING MUST BE USED IN CONJUNCTION WITH THE APPLICABLE OR GOVERNING TECHNICAL SPECIFICATIONS AND OTHER CONTRACT DOCUMENTS.

PROJECT NO: FC-6260
DATE: OCTOBER 2012
RESP PROF: NSH DESIGNER: NSH CHECKER: FT

SHEET TITLE
STRUCTURAL
02 - DIVERSION STRUCTURE 2
SECTIONS

SHEET NO. S2-301 REV. 0