

1 2 3 4 5 6 7 8

F

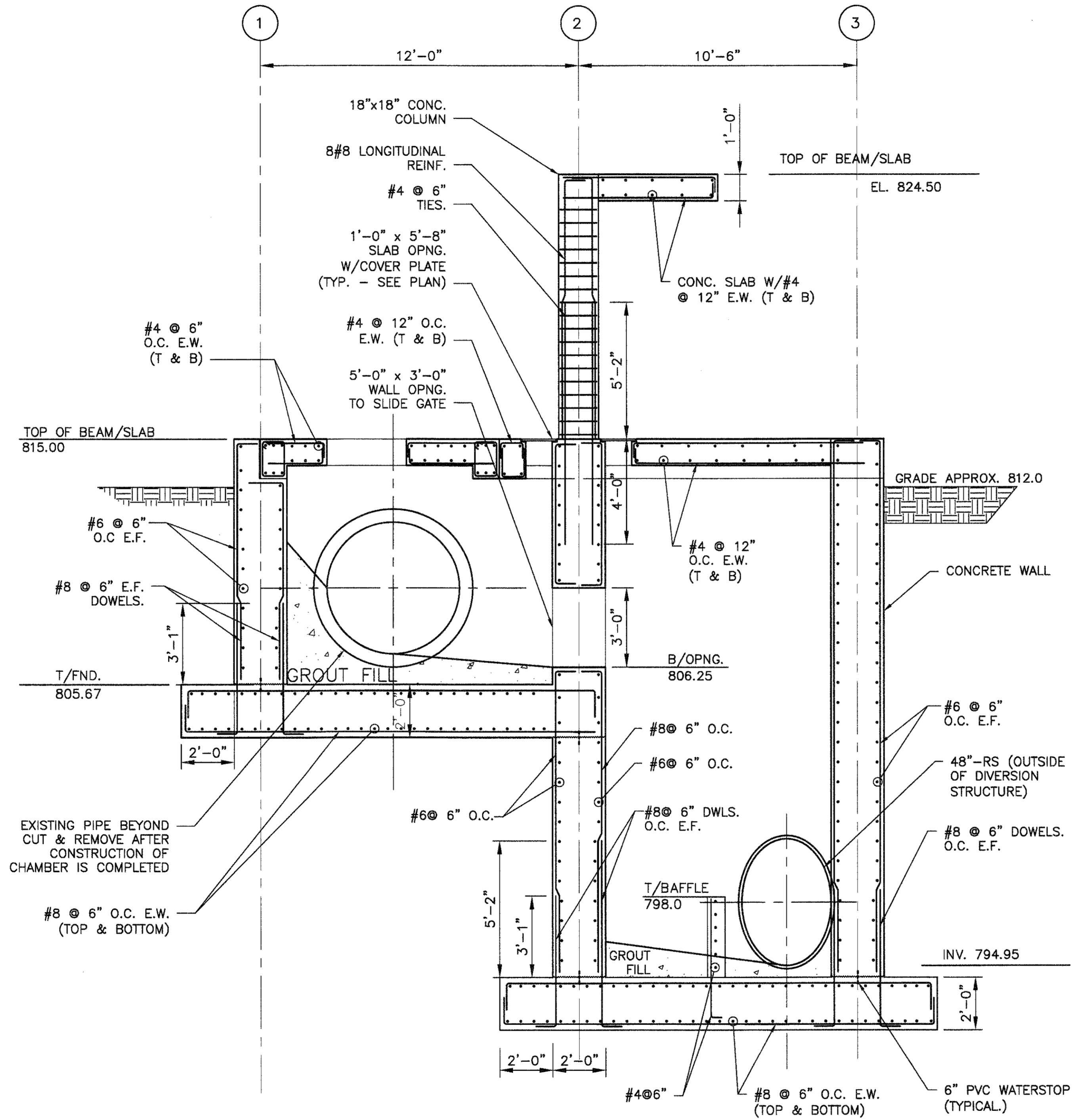
E

D

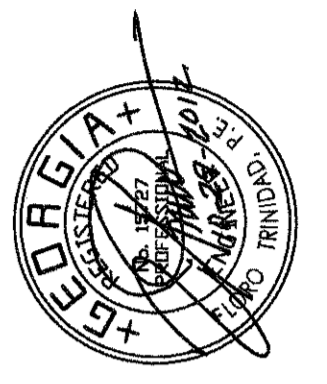
C

B

A



A SECTION
S1-301 SCALE: 3/8" = 1'-0"



PEACHTREE CREEK SOUTH FORK
RELIEF STORAGE AND PUMPING STATION

CITY OF ATLANTA

DEPARTMENT OF WATERSHED MANAGEMENT

REV	DATE	REVISION DESCRIPTION
0	10/29/12	100 PERCENT BID PACKAGE

THIS LINE IS ONE INCH LONG WHEN PLOTTED FULL SCALE.

THIS DRAWING MUST BE USED IN CONJUNCTION WITH THE APPLICABLE OR GOVERNING TECHNICAL SPECIFICATIONS AND OTHER CONTRACT DOCUMENTS.

PROJECT NO: FC-6260
DATE: OCTOBER 2012

RESP PROF: FT DESIGNER: NSH CHECKER: DSF

SHEET TITLE
STRUCTURAL
01 - DIVERSION STRUCTURE 1
SECTIONS

SHEET NO. S1-301 REV. 0