

F

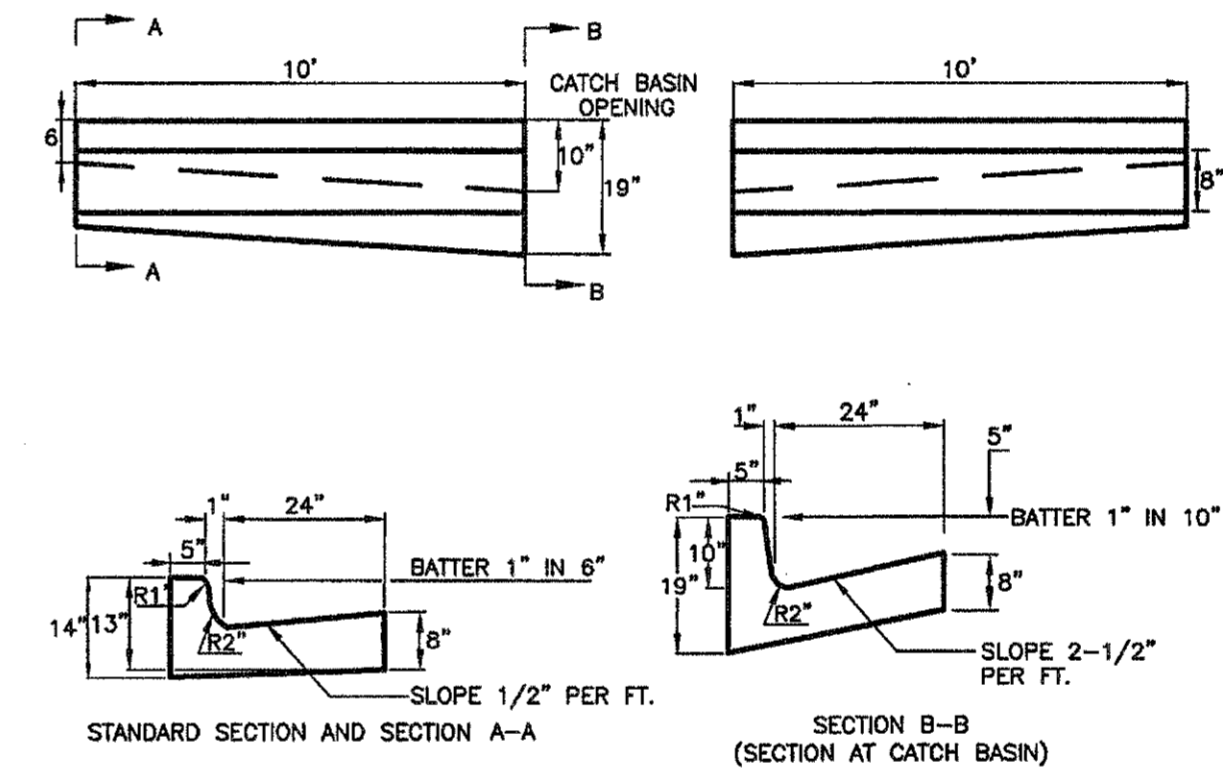
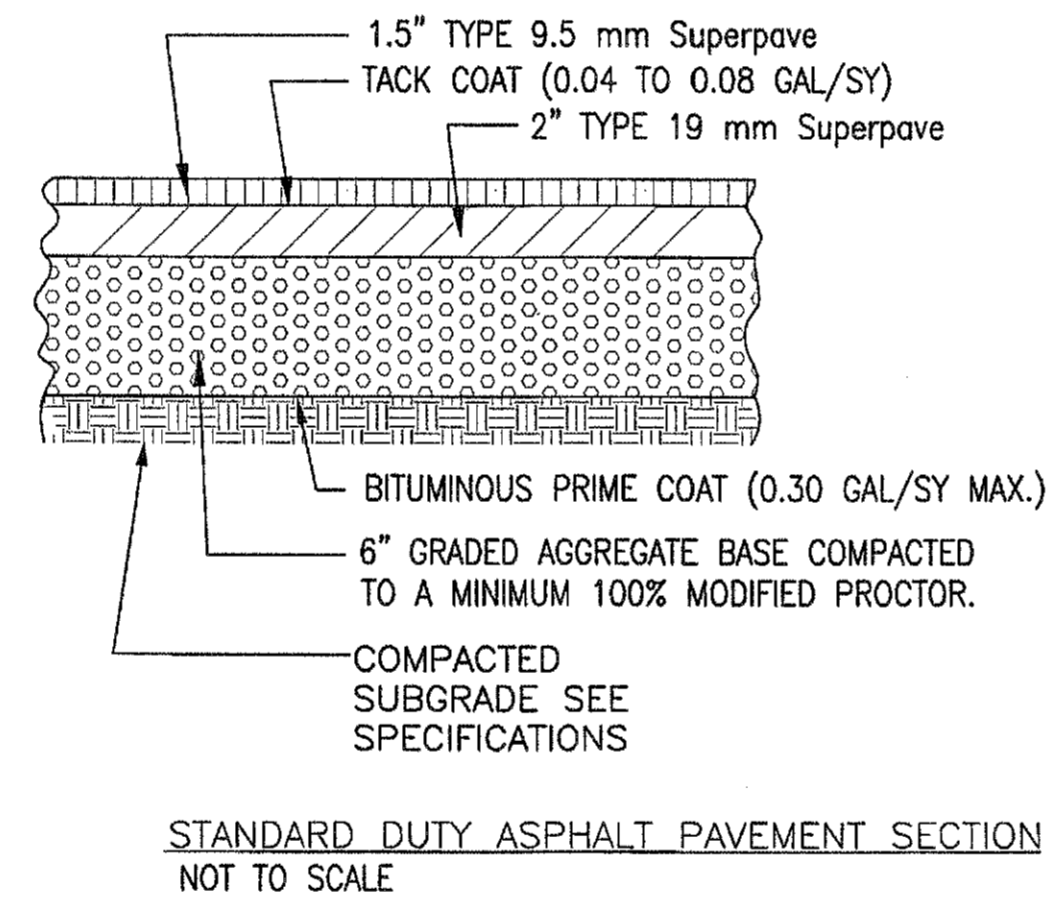
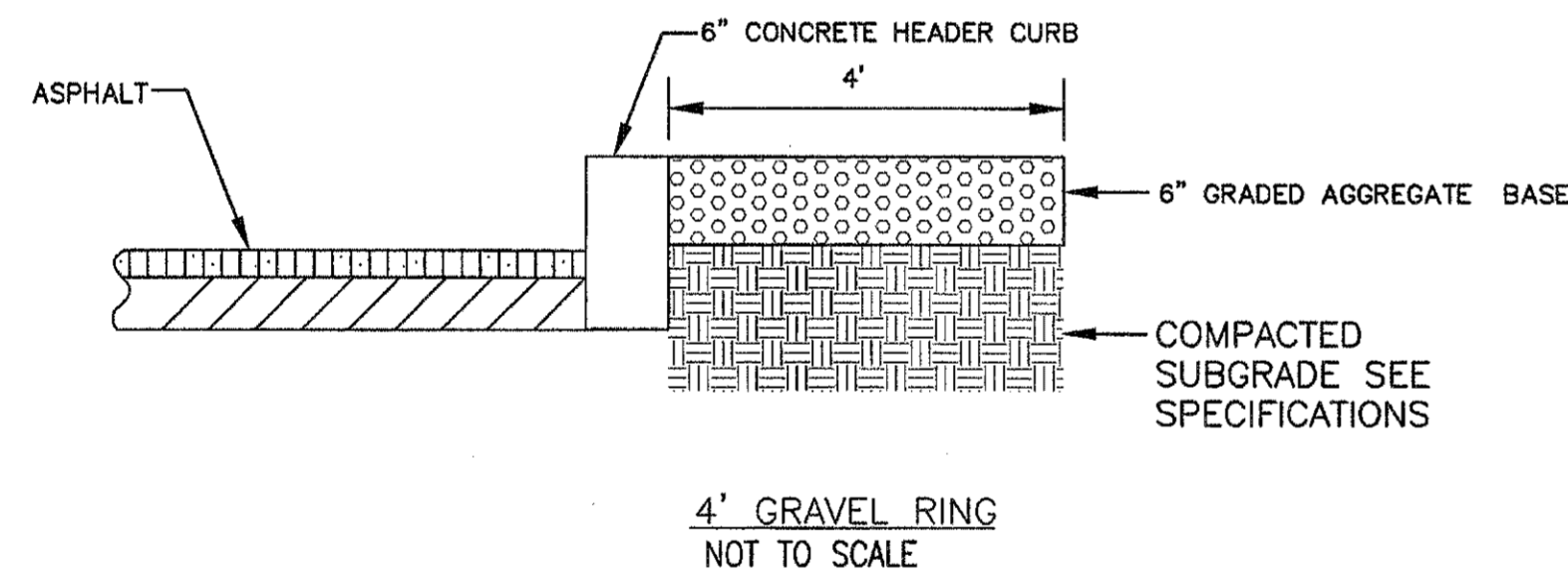
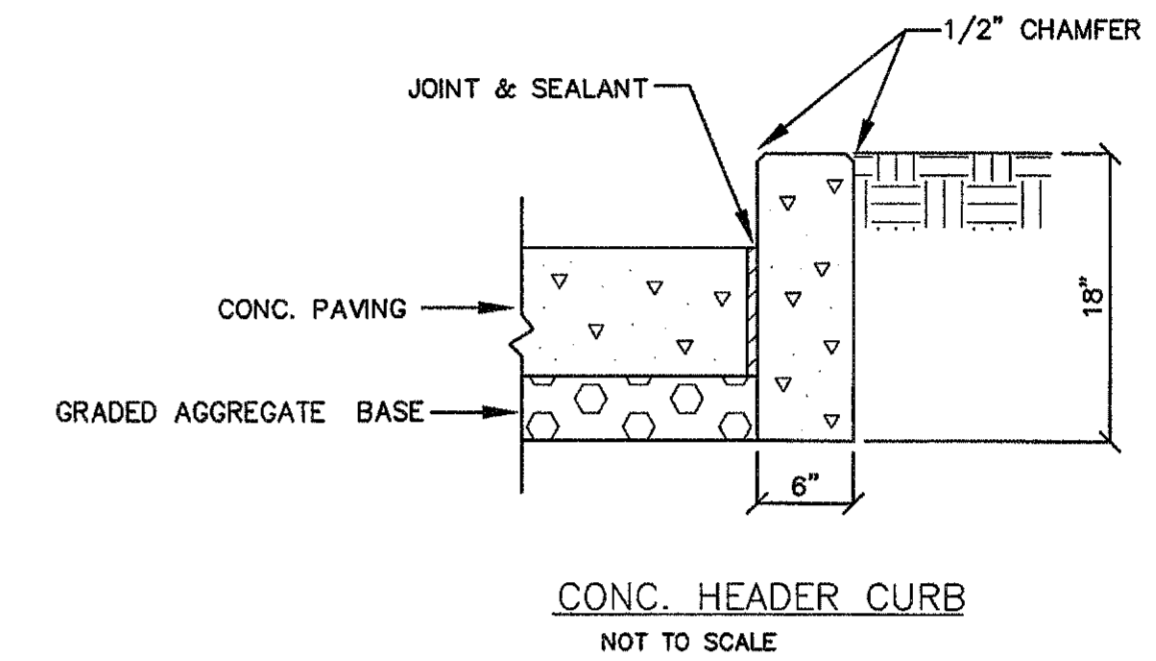
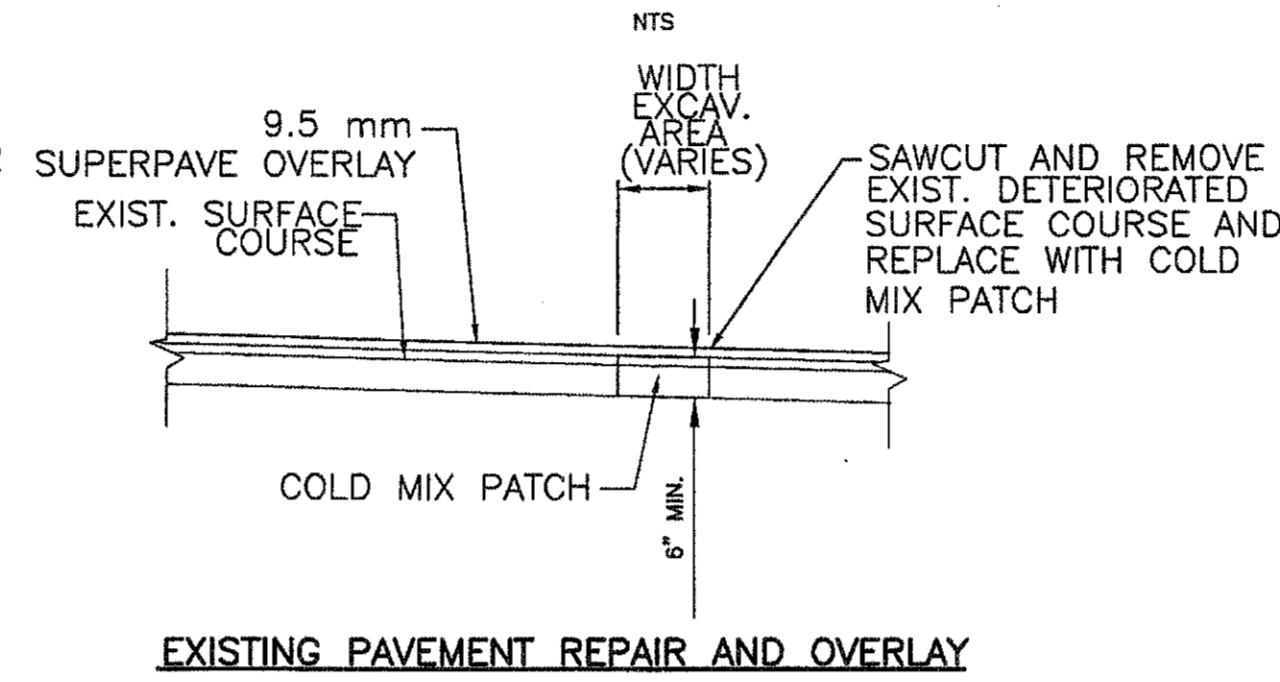
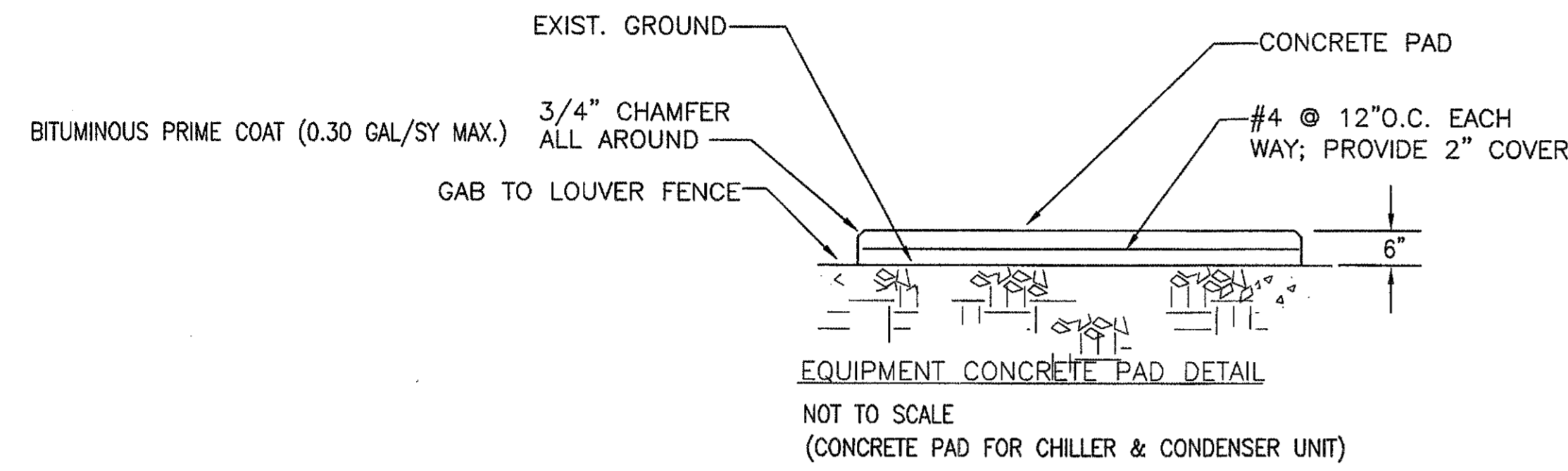
E

D

C

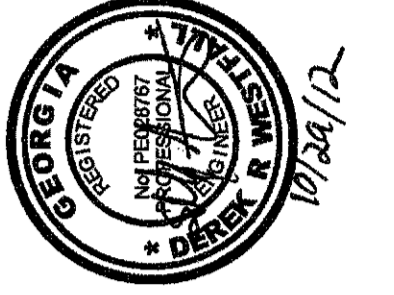
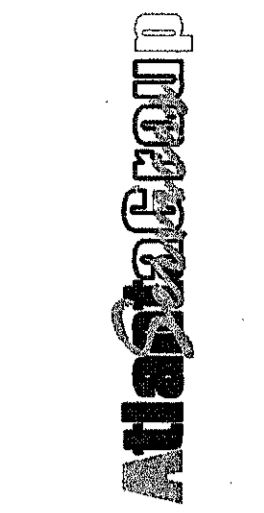
B

A



- NOTES:
1. SECTIONS, WHERE DIRECTED BY THE ENGINEER, MAY BE CONSTRUCTED IN UNIFORM LENGTHS OF TWENTY (20) FT. ON TANGENT. LENGTH MAY BE REDUCED FOR CLOSURE AND AT CORNERS TO NOT LESS THAN SIX(6) FEET.
 2. BASIS OF PAYMENT: PER LINEAR FOOT (INCLUDING VARIABLE HEIGHT CURB)
 3. CONCRETE CURB AND GUTTER IN ACCORDANCE WITH GEORGIA STATE HIGHWAY SPECIFICATIONS SECTION 441 (2001 EDITION)
 4. SEE STD. CURB CATCHBASIN-NO. CB-1 & CB-2

CONCRETE CURB AND GUTTER
NTS



PEACHTREE CREEK SOUTH FORK
RELIEF STORAGE AND PUMPING STATION



DEPARTMENT of WATERSHED MANAGEMENT

REV	DATE	REVISION DESCRIPTION
0	10/28/12	100 PERCENT BID PACKAGE

THIS LINE IS ONE INCH LONG WHEN PLOTTED FULL SCALE

THIS DRAWING MUST BE USED IN CONJUNCTION WITH THE APPLICABLE OR GOVERNING TECHNICAL SPECIFICATIONS AND OTHER CONTRACT DOCUMENTS.

PROJECT NO: FC-6260
DATE: OCTOBER 2012
RESP PROF: DW DESIGNER: PD CHECKER: TC

SHEET TITLE
CIVIL
00 - GENERAL
GENERAL DETAILS

SHEET NO. CD-507 REV. 0