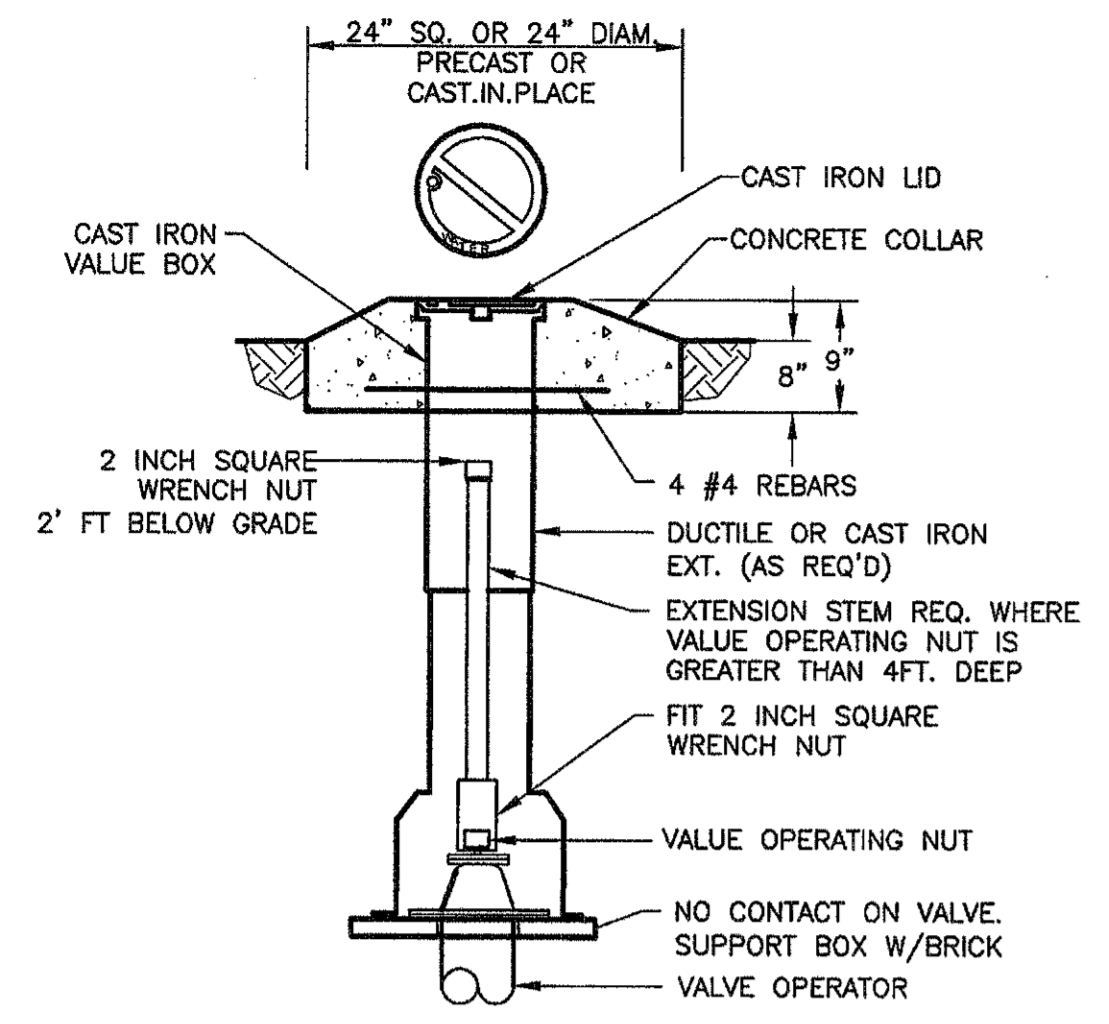
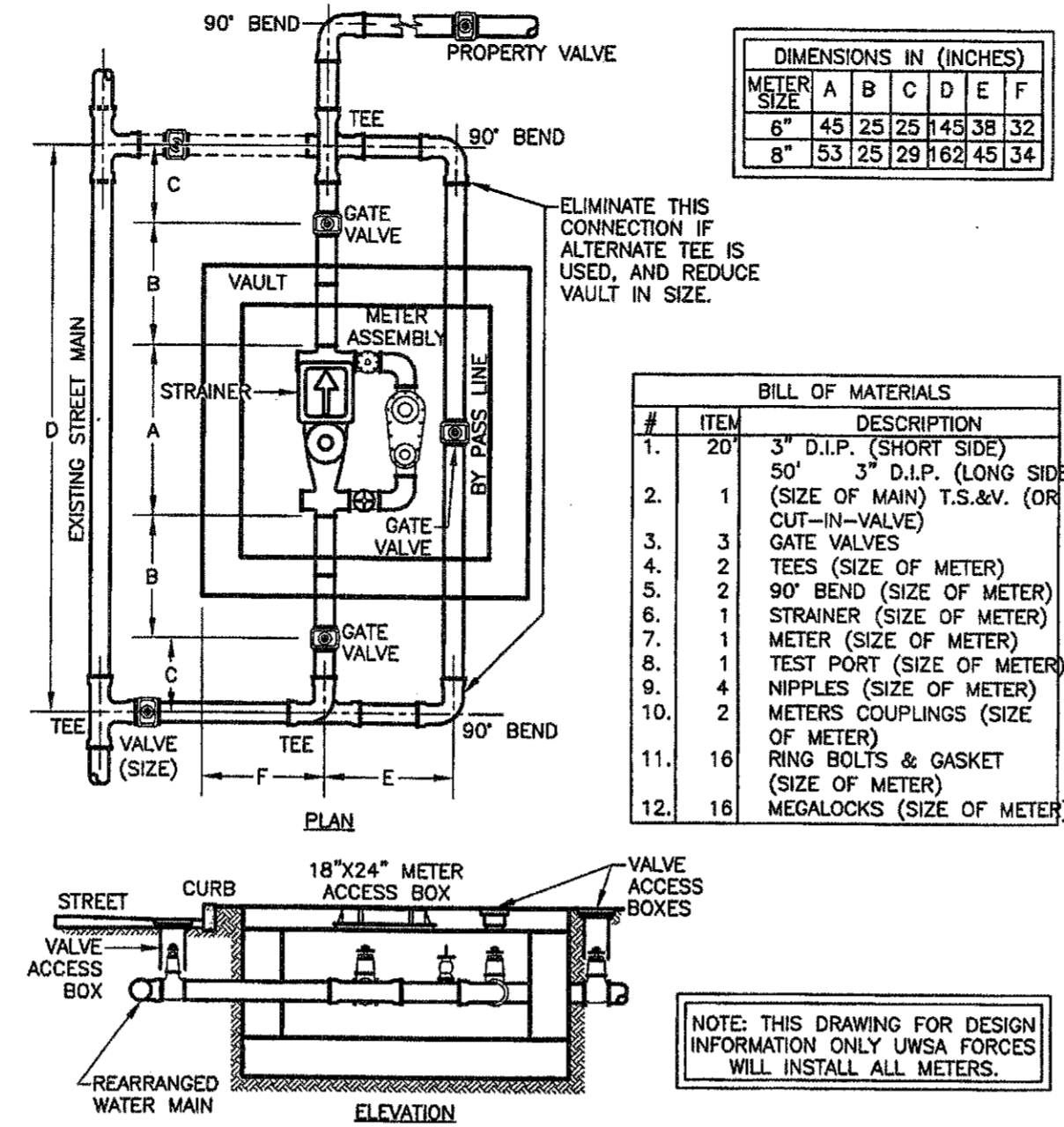


F
E
D
C
B
A



TYPICAL UNDERGROUND VALVE BOX
NTS



TYPICAL F.M. METER INSTALLATION
NTS

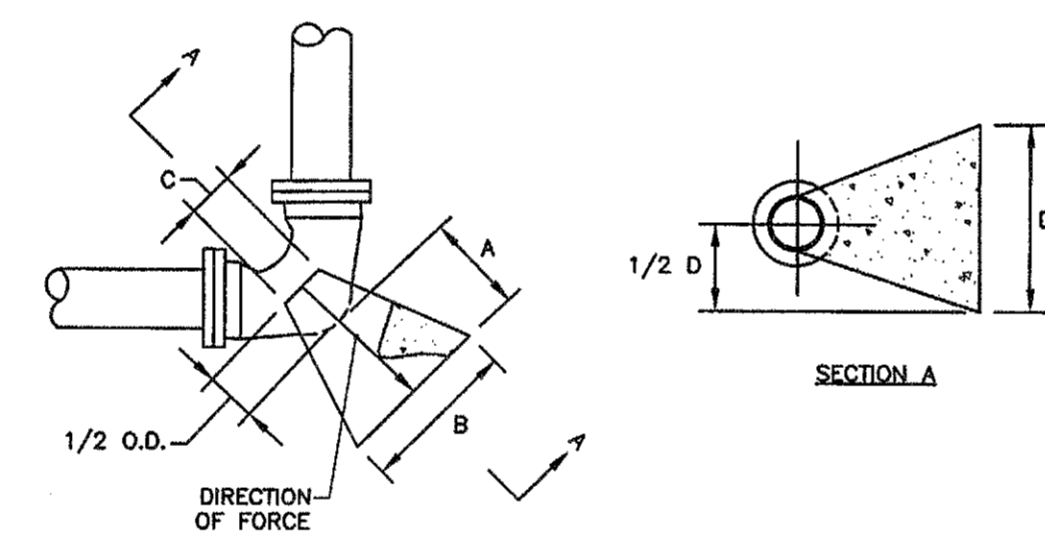
DIMENSIONS IN (INCHES)

METER SIZE	A	B	C	D	E	F
6"	4.5	2.5	2.5	1.45	3.8	3.2
8"	5.3	2.5	2.9	1.62	4.5	3.4

BILL OF MATERIALS

#	ITEM	DESCRIPTION
1.	20'	3" D.I.P. (SHORT SIDE)
2.	1	50' 3" D.I.P. (LONG SIDE) (SIZE OF MAIN) T.S.&V. (OR CUT-IN-VALVE)
3.	3	GATE VALVES
4.	2	TEES (SIZE OF METER)
5.	2	90° BEND (SIZE OF METER)
6.	1	STRAINER (SIZE OF METER)
7.	1	METER (SIZE OF METER)
8.	1	TEST PORT (SIZE OF METER)
9.	4	NIPPLES (SIZE OF METER)
10.	2	METERS COUPLINGS (SIZE OF METER)
11.	16	RING BOLTS & GASKET (SIZE OF METER)
12.	16	MEGALOCKS (SIZE OF METER)

- NOTE:
- SAME DIMENSIONS USED FOR 3", 4", 6", 8", 10" & 12" PIPES
 - FOR INSUFFICIENT AREA IN SIDEWALK, BY-PASS MAY BE PROVIDED IN THIS MANNER. (VALVE TO BE LOCKED CLOSED)



TYPICAL HORIZONTAL THRUST BLOCK
NTS

MINIMUM DIMENSIONS IN FEET FOR CONCRETE BLOCKING

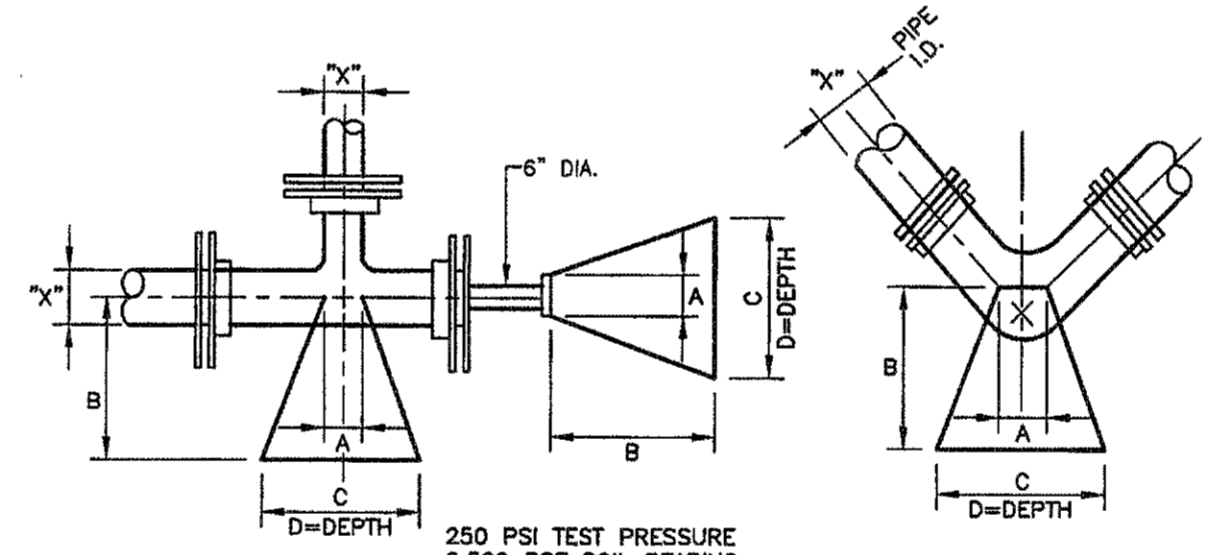
BEND SIZE	A	B	C	D	VOLUME YARD
6"	1.0	1.0	7"	1.0	0.03
8"	1.0	1.25	7"	1.0	0.04
11 1/4"	1.0	2.0	11"	2.0	0.1
16"	2.0	3.0	15"	2.0	0.3
20"	3.0	3.0	19"	3.0	0.5
24"	3.0	4.0	22"	3.0	0.8

NOTE: ENGINEER SHALL VERIFY SOIL CONDITION BEFORE THRUST BLOCK DESIGN IS IMPLEMENTED.

DESIGN DATA: DIMENSION OF THRUST BLOCK IN FEET BASED ON 2000 POUNDS PER SQUARE FOOT SOIL BEARING PRESSURE AND 250 PER SQUARE INCH TEST PRESSURE. ACTUAL INSIDE DIAMETER OF DUCTILE IRON PIPE, CLASS 2 USED AS STANDARD.

CONCRETE SHALL BE CLASS A, 3000 P.S.I. HIGH EARLY.

BEND SIZE	A	B	C	D	VOLUME YARD
6"	1.75	2.5	7"	2.0	0.2
8"	2.0	3.0	7"	3.0	0.4
12"	4.0	6.0	11"	4.0	2.1
16"	4.0	7.0	15"	5.0	3.1
20"	5.0	8.0	19"	7.0	5.3
24"	6.0	10.0	22"	8.0	10.5



BLOCKING DIMENSIONS

DEAD END & TEES	X*	A	B	C	D
24"	2'-0"	4'-6"	14.0'	7.0'	
20"	1'-8"	3'-9"	11.7'	5.9'	
16"	1'-3"	3'-3"	9.5'	4.7'	
12"	1'-0"	2'-6"	7.1'	3.6'	
10"	1'-0"	2'-0"	6.0'	3.0'	
8"	0'-10"	1'-9"	4.9'	2.5'	
6"	0'-8"	1'-3"	3.7'	1.8'	
24"	2'-0"	5'-9"	16.7'	8.3'	
20"	1'-8"	4'-9"	13.9'	7.0'	
16"	1'-3"	4'-0"	10.2'	5.1'	
12"	1'-0"	3'-0"	8.2'	4.3'	
10"	1'-0"	2'-6"	7.1'	3.6'	
8"	0'-10"	2'-0"	5.9'	2.9'	
6"	0'-8"	1'-6"	4.4'	2.2'	
24"	2'-0"	4'-0"	12.2'	6.1'	
20"	1'-8"	3'-3"	10.2'	5.1'	
16"	1'-3"	2'-9"	8.2'	4.1'	
12"	1'-0"	2'-0"	6.2'	3.1'	
10"	1'-0"	1'-9"	5.3'	2.6'	
8"	0'-10"	1'-6"	4.3'	2.2'	
6"	0'-8"	1'-3"	3.2'	1.6'	

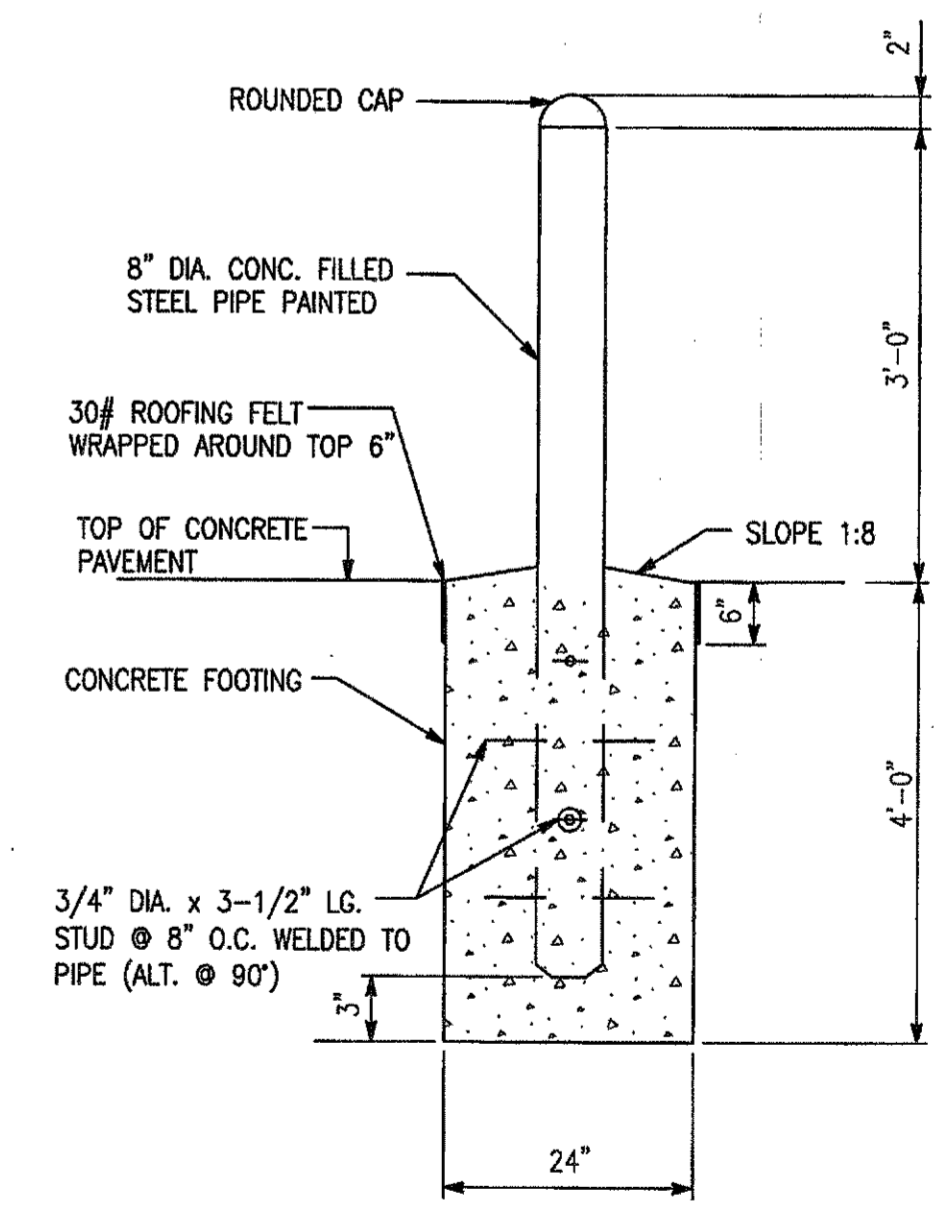
TYPICAL BLOCKING
NTS

BLOCKING DIMENSIONS

BENDS	X*	A	B	C	D
22 1/2"	24"	2'-0"	2'-6"	8.8'	4.4'
	20"	1'-8"	2'-0"	7.4'	3.7'
	16"	1'-3"	1'-9"	5.9'	2.9'
	12"	1'-0"	1'-3"	4.5'	2.3'
	10"	1'-0"	1'-3"	3.8'	1.9'
	8"	0'-10"	1'-0"	3.1'	1.6'
	6"	0'-8"	0'-9"	2.3'	1.2'
11 1/4"	24"	2'-0"	1'-8"	6.2'	3.1'
	20"	1'-8"	1'-3"	5.2'	2.6'
	16"	1'-3"	1'-0"	4.2'	2.1'
	12"	1'-0"	0'-9"	3.1'	1.6'
	10"	1'-0"	0'-9"	2.7'	1.4'
	8"	0'-10"	0'-6"	2.1'	1.1'
	6"	0'-8"	0'-6"	1.4'	1.0'

X* = DIAMETER OF PIPE TO BE BLOCKED

NOTE: BLOCKING FOR LARGER DIAMETER PIPE SHALL BE DETERMINED FOR EACH PROJECT.



BOLLARD DETAIL
NTS

Atlanta Georgia

GEORGIA DEPARTMENT OF TRANSPORTATION

PEACHTREE CREEK SOUTH FORK RELIEF STORAGE AND PUMPING STATION

CITY OF ATLANTA

DEPARTMENT OF WATERSHED MANAGEMENT

REV	DATE	PERCENT BID PACKAGE	REVISION DESCRIPTION
0	10/28/12		

THIS LINE IS ONE INCH LONG WHEN PLOTTED FULL SCALE

THIS DRAWING MUST BE USED IN CONJUNCTION WITH THE APPLICABLE OR GOVERNING TECHNICAL SPECIFICATIONS AND OTHER CONTRACT DOCUMENTS.

PROJECT NO: FC-6260

DATE: OCTOBER 2012

RESP PROF: DW DESIGNER: PD CHECKER: TC

SHEET TITLE: CIVIL
00 - GENERAL
GENERAL DETAILS

SHEET NO: CD-506 REV: 0