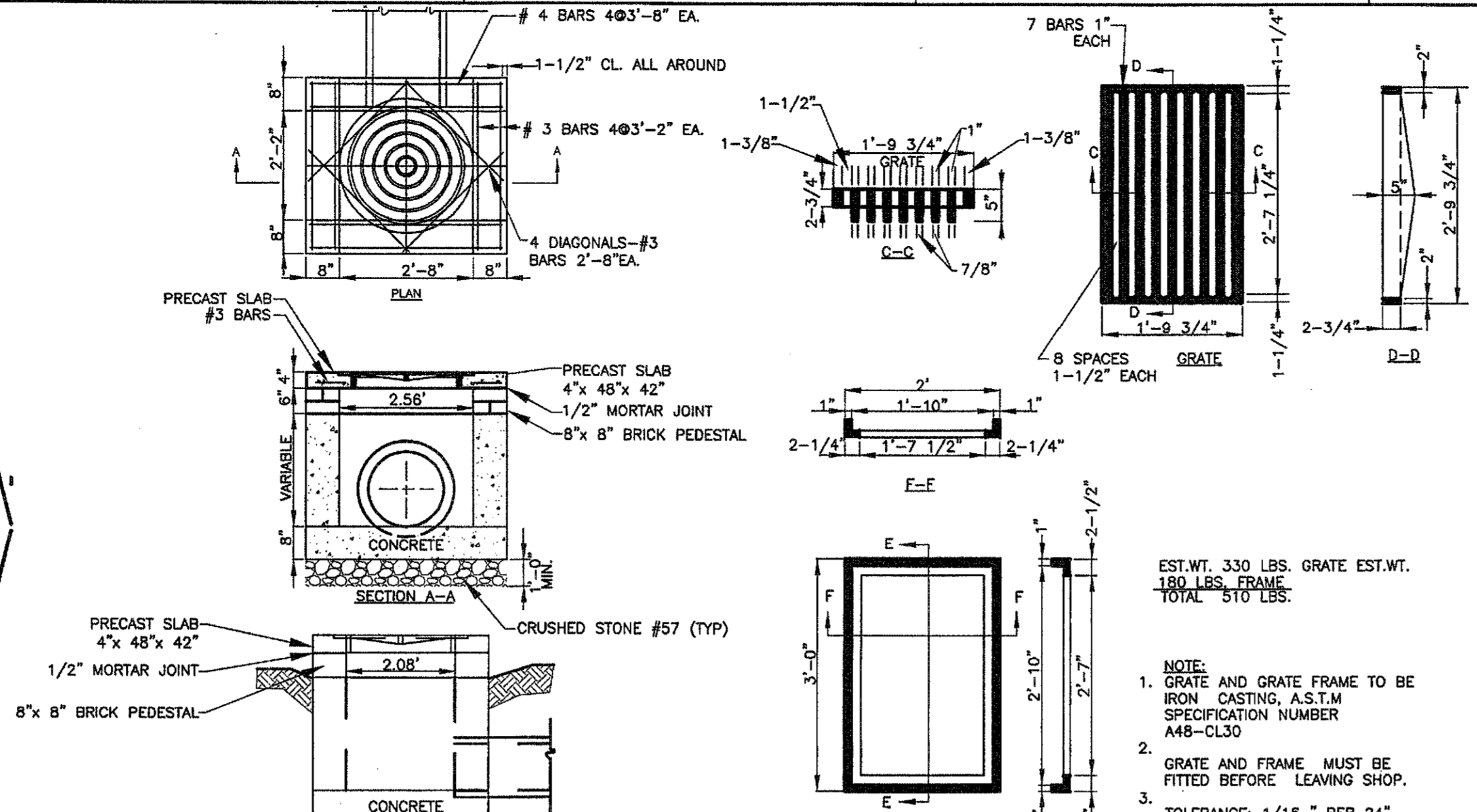


MANHOLE RISER AND CONE
N.T.S.



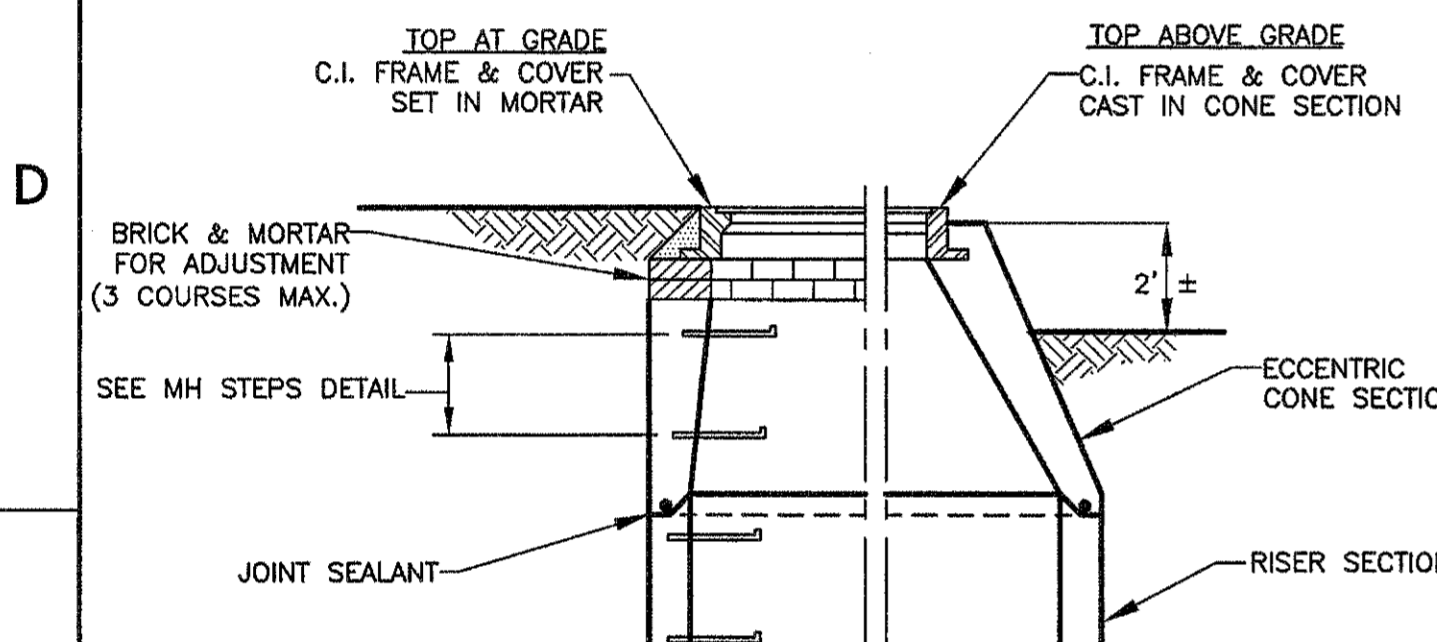
STANDARD GRATE AND FRAME FOR DROP INLET (DI)
N.T.S.

VARIABLE DIMENSIONS (CONCRETE PIPE)

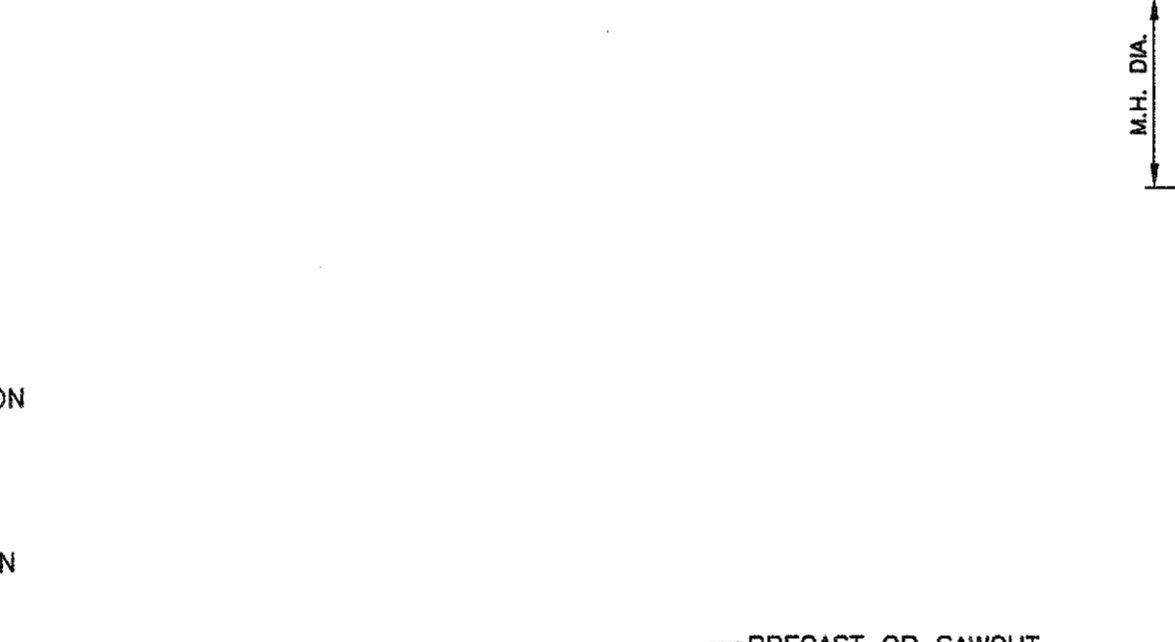
INSIDE DIA. PIPE	AREA PIPE OPENING	A	B	C	D	E	F	G	H	WT	BASE AREA
18"	1.76	3'-5"	2'-4"	3'-4 1/2"	2'-0"	1'-5"	4'-10"	2'-0"	1'-0 1/4"	1753	8.30
21"	2.40	3'-8 1/2"	2'-6"	3'-8"	2'-3 1/2"	1'-6"	5'-3 1/2"	2'-1 1/2"	1'-0 7/8"	2020	9.40
24"	3.14	4'-0"	2'-9"	3'-11"	2'-7"	1'-8"	5'-11"	2'-4 1/2"	1'-1 3/4"	2383	11.80
30"	4.91	4'-6 1/2"	3'-1"	4'-5 1/2"	3'-11 1/2"	2'-0"	7'-1 1/2"	2'-10"	1'-3 7/8"	3182	15.10
36"	7.07	5'-1"	3'-5"	5'-0"	3'-8"	2'-4"	8'-4"	3'-3 1/2"	1'-6"	4089	19.60

VARIABLE DIMENSIONS (METAL PIPE-WHERE SPECIFICATIONS PERMIT)

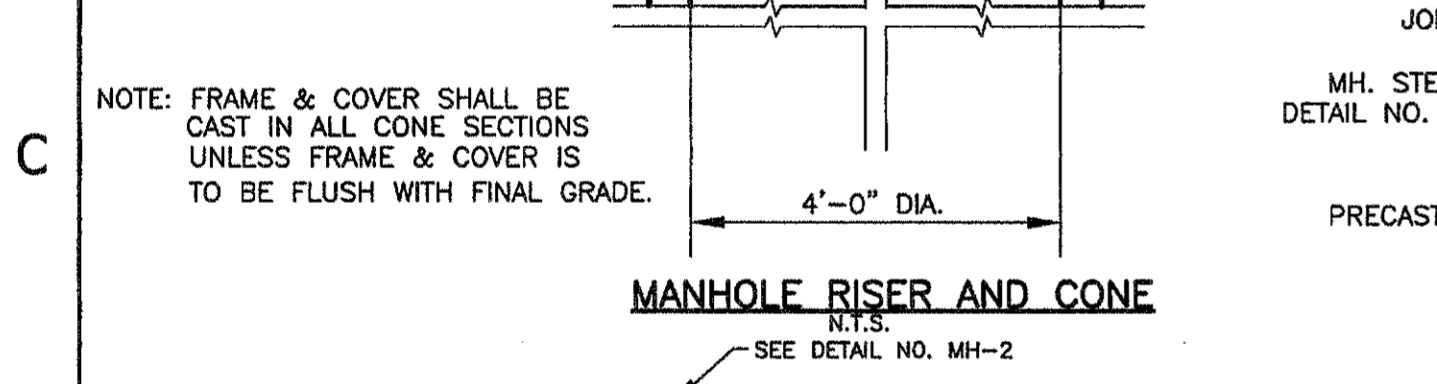
INSIDE DIA. PIPE	AREA PIPE OPENING	A	B	C	D	E	F	G	H	WT	BASE AREA
18"	1.76	3'-2"	2'-3"	3'-2"	1'-9"	1'-4"	4'-5"	1'-10 1/2"	1'-11 3/4"	1549	7.34
21"	2.40	3'-5"	2'-5"	3'-5"	2'-0"	1'-5"	4'-10"	2'-0"	1'-10 1/4"	1778	8.32
24"	3.14	3'-8"	2'-7"	3'-8"	2'-3"	1'-7"	5'-5"	2'-3"	1'-11 1/4"	2108	9.90
30"	4.91	4'-2"	2'-11"	4'-2"	2'-9"	1'-11"	6'-7"	2'-8 1/2"	1'-3 1/4"	2834	13.50
36"	7.07	4'-8"	3'-3"	4'-8"	3'-3"	2'-3"	7'-9"	3'-2 1/4"	1'-5 3/8"	3678	17.65



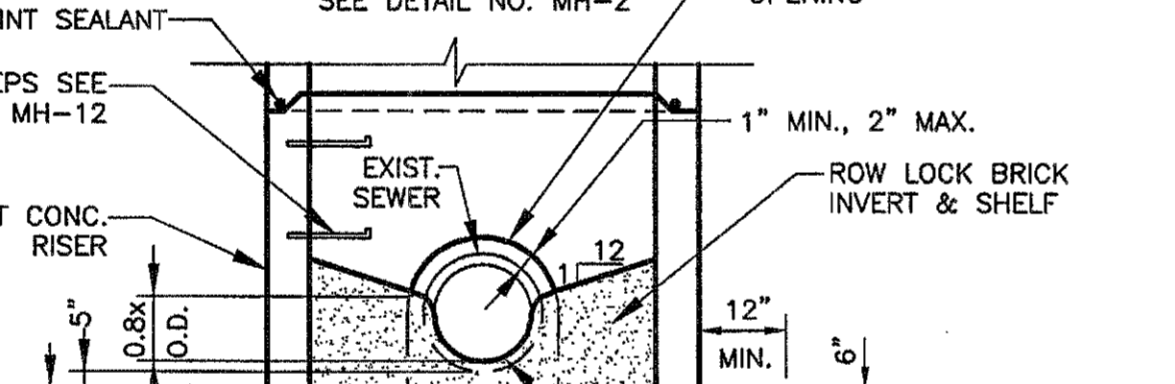
MANHOLE RISER AND CONE
N.T.S.



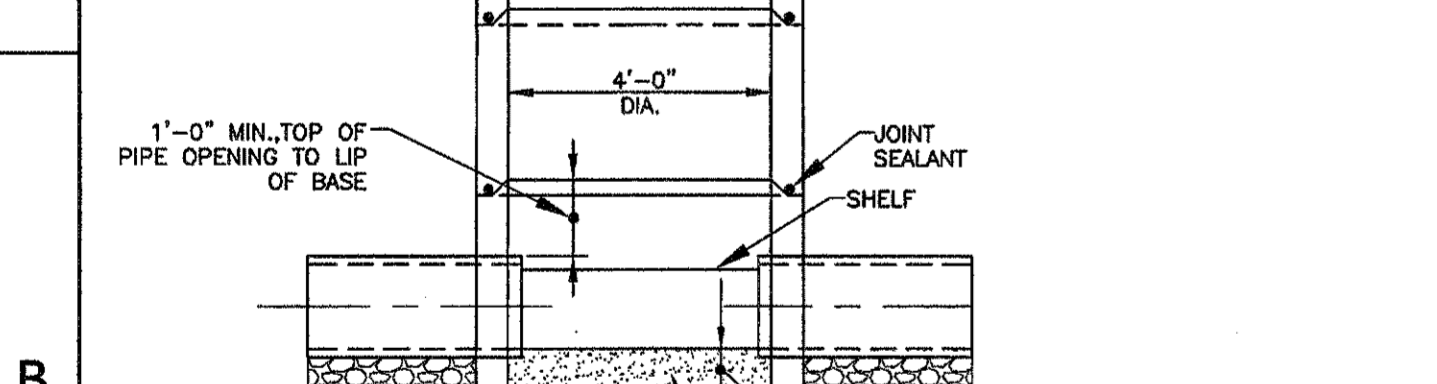
STANDARD MANHOLE SCHEDULE OF GOVERNING DIMENSIONS



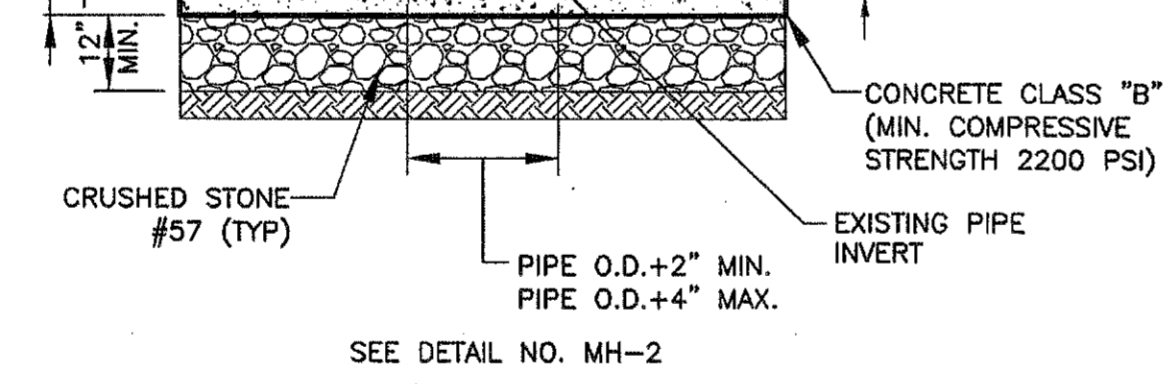
MANHOLE RISER AND CONE
N.T.S.



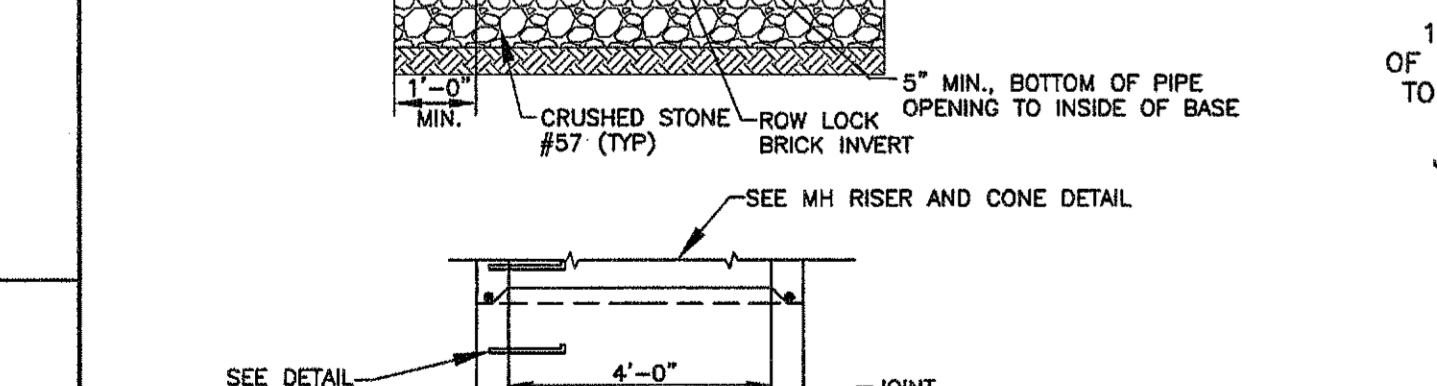
MANHOLE OVER EXISTING SEWER
N.T.S.



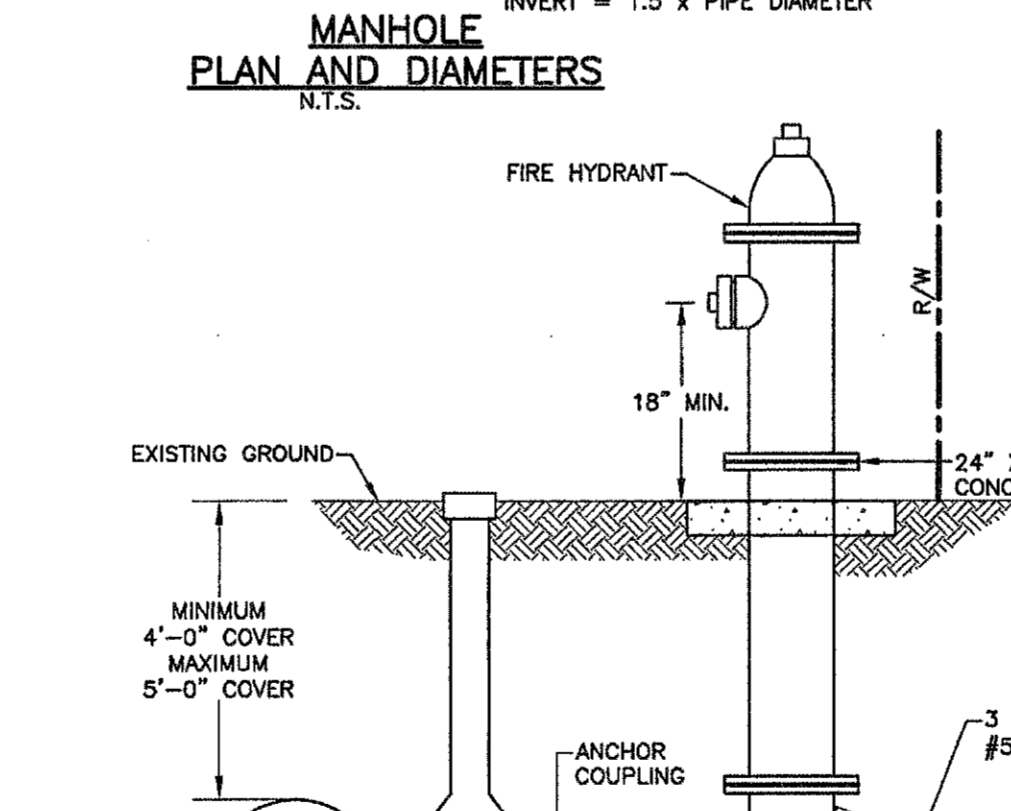
MANHOLE BASE
N.T.S.



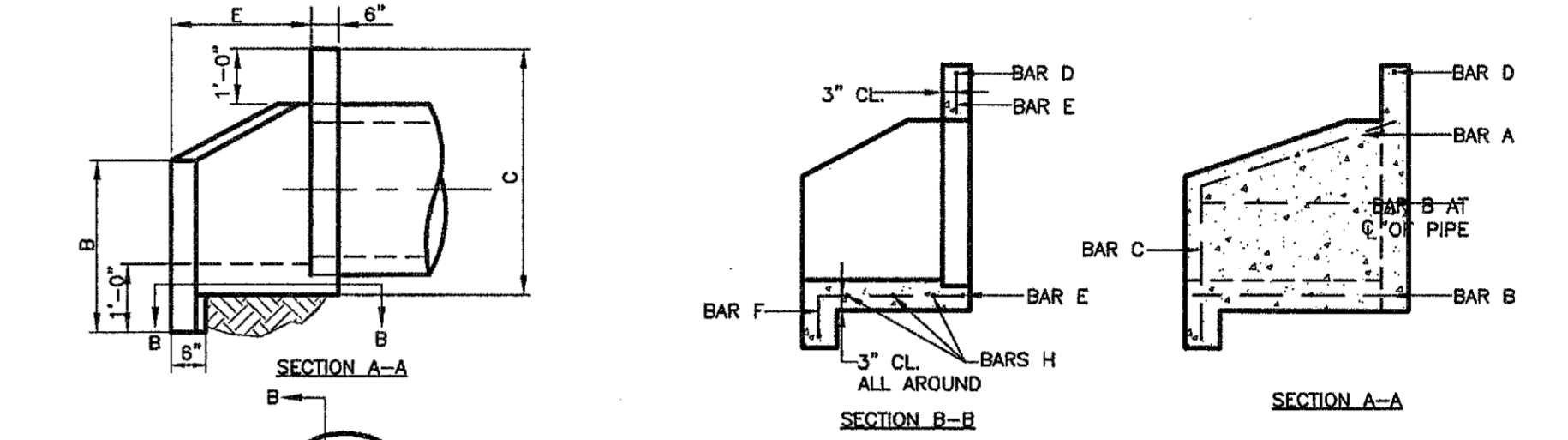
MANHOLE OVER EXISTING SEWER
N.T.S.



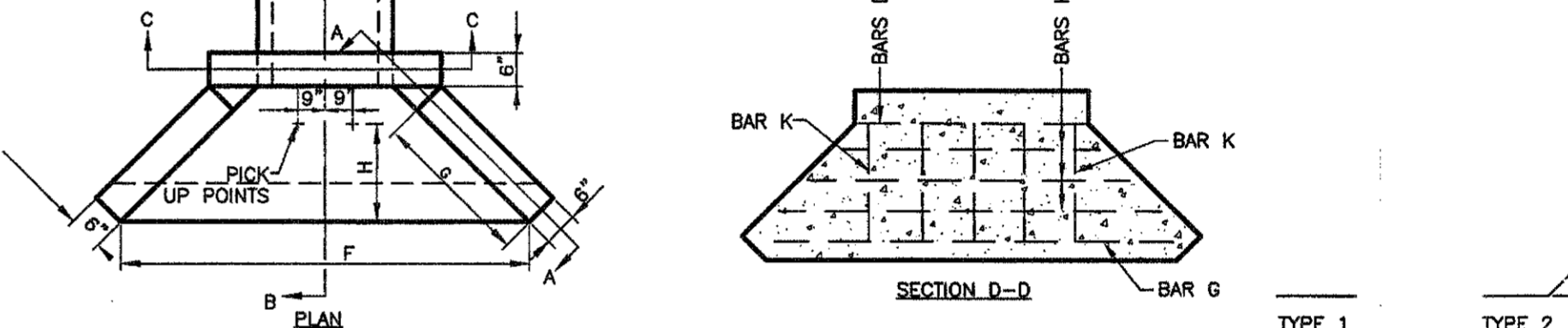
MANHOLE OVER EXISTING SEWER
N.T.S.



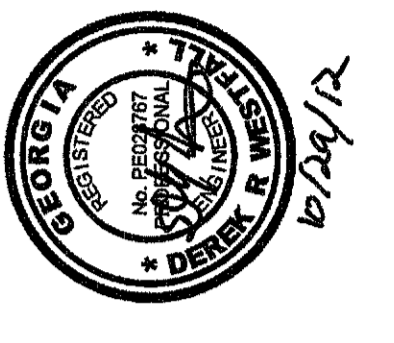
TYPICAL FIRE HYDRANT
N.T.S.



STORMWATER HEADWALL



TYPICAL METER BOX ASSEMBLY
N.T.S.



PEACHTREE CREEK SOUTH FORK
RELIEF STORAGE AND PUMPING STATION
CITY OF ATLANTA
DEPARTMENT OF WATERSHED MANAGEMENT

REV	DATE	REVISION DESCRIPTION
0	10/28/12	100 PERCENT BID PACKAGE

THIS LINE IS ONE INCH LONG WHEN PLOTTED FULL SCALE
THIS DRAWING MUST BE USED IN CONJUNCTION WITH THE APPLICABLE OR GOVERNING TECHNICAL SPECIFICATIONS AND OTHER CONTRACT DOCUMENTS.
PROJECT NO: FC-6260
DATE: OCTOBER 2012
RESP PROF: DW PD TC
DESIGNER: PD
CHECKER: TC
SHEET TITLE: CIVIL
00 - GENERAL
GENERAL DETAILS
SHEET NO. CD-504 REV. 0