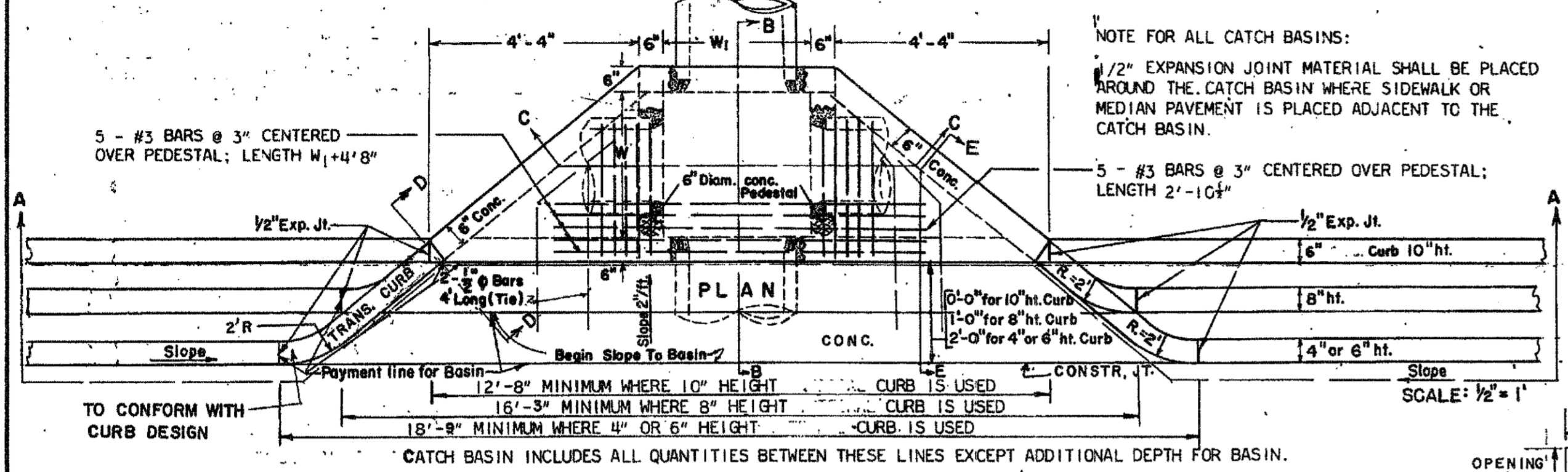
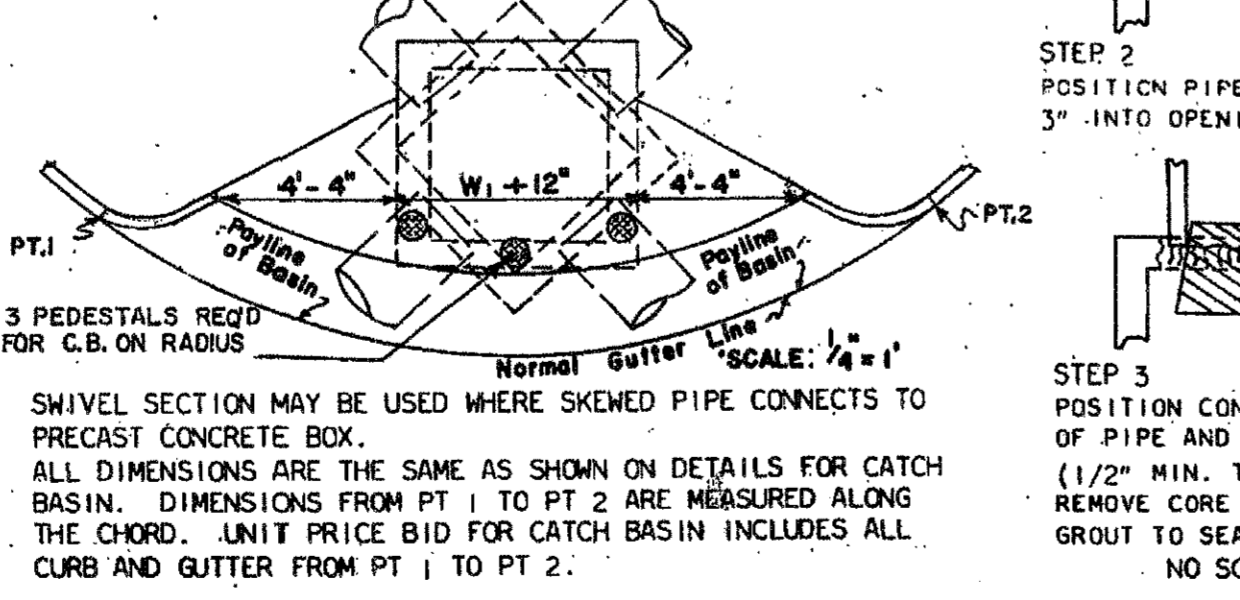
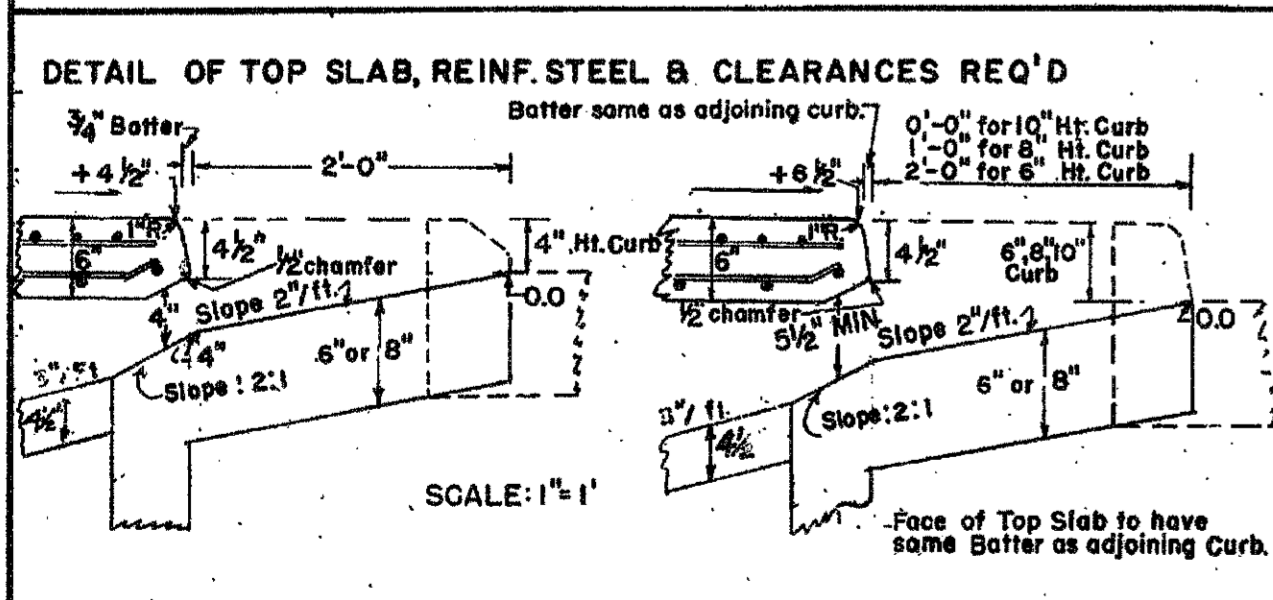
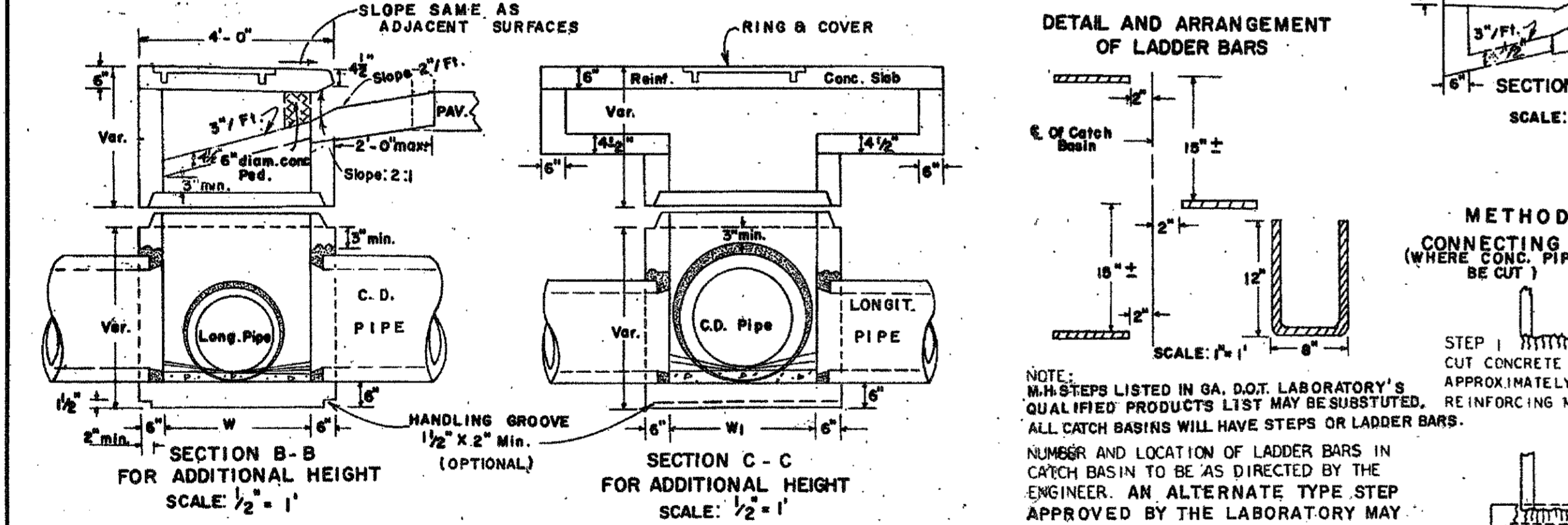
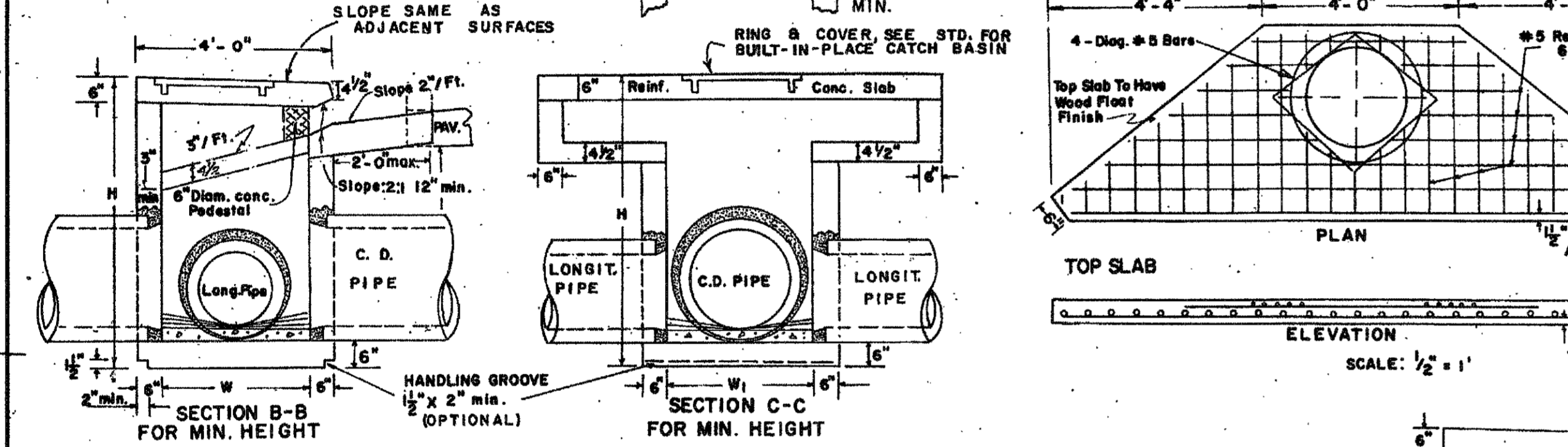
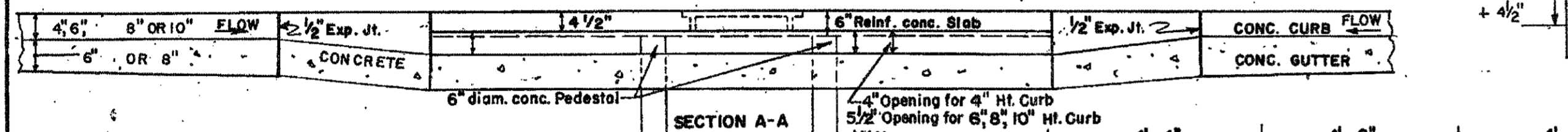


F
E
D
C
B
A

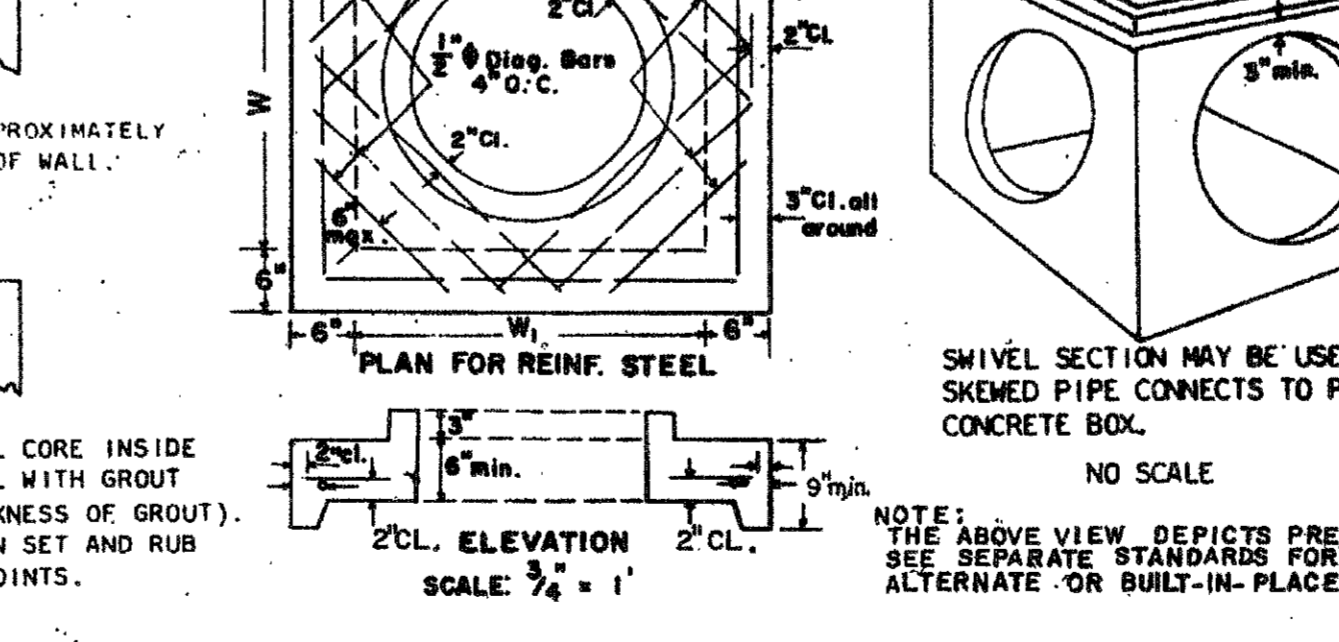
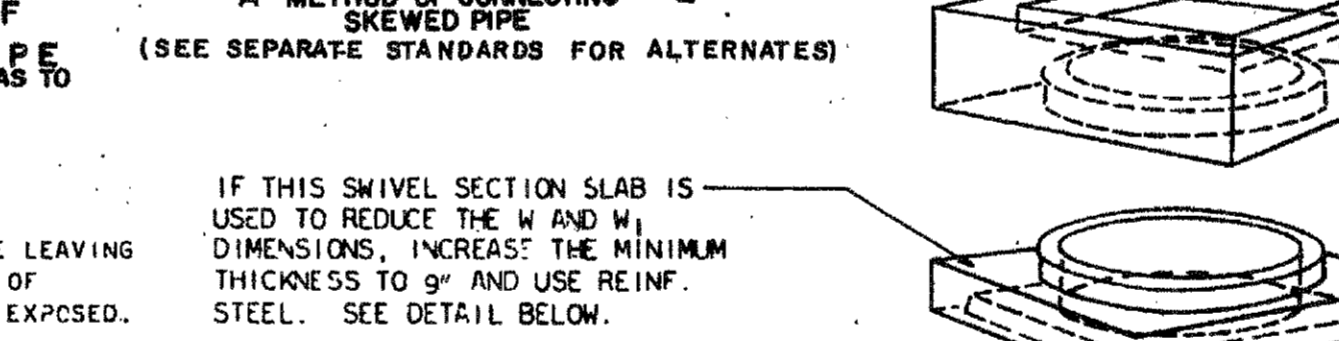
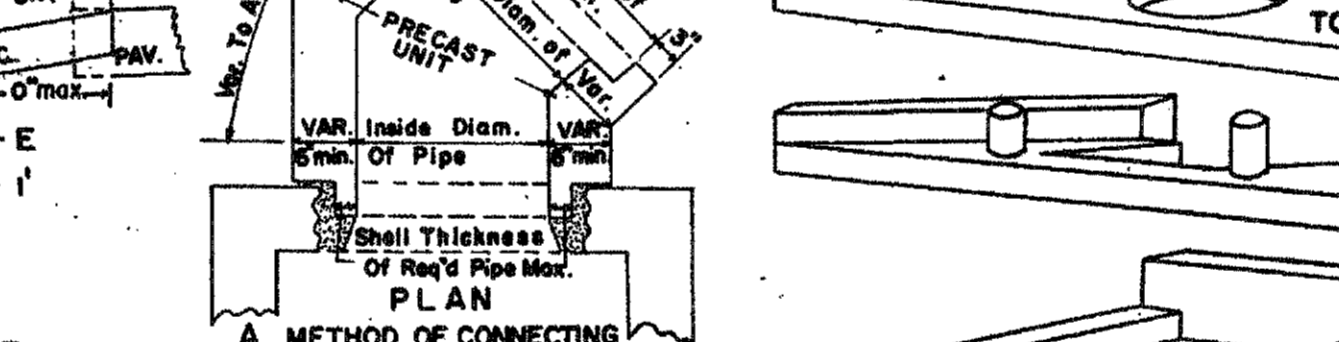
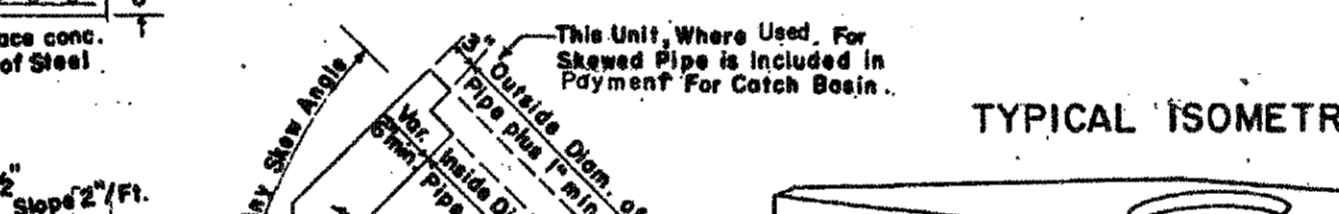
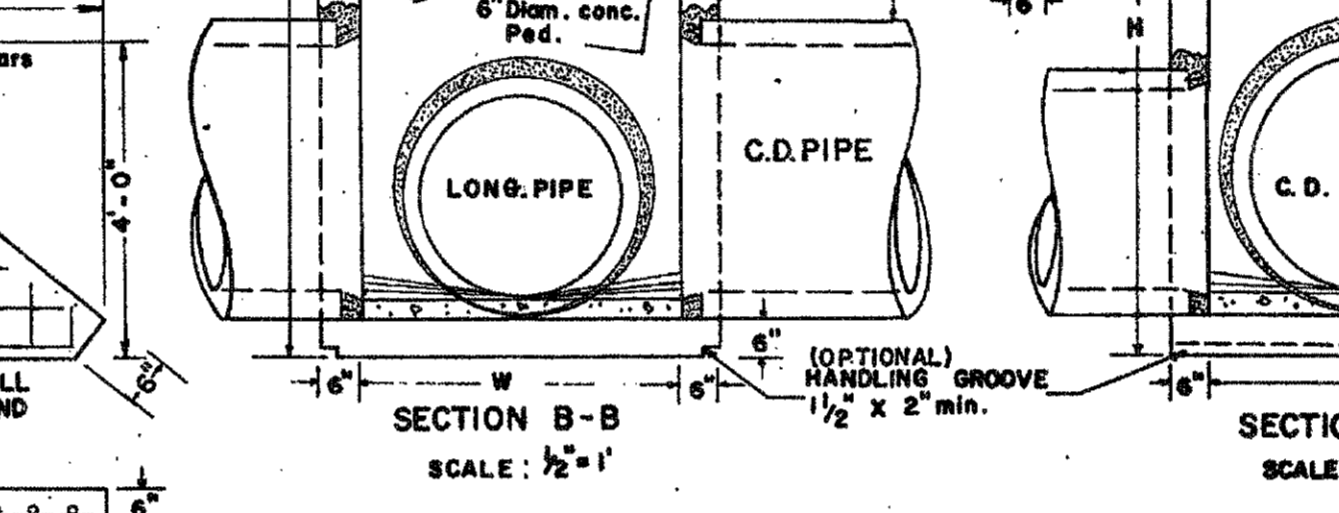
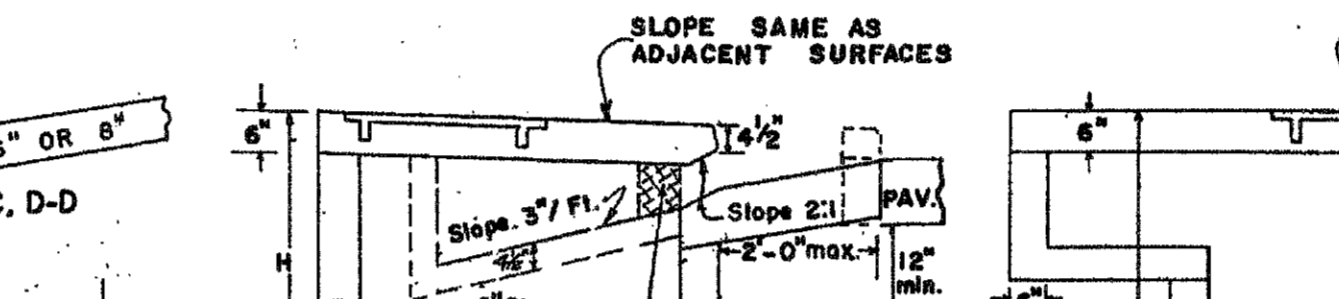
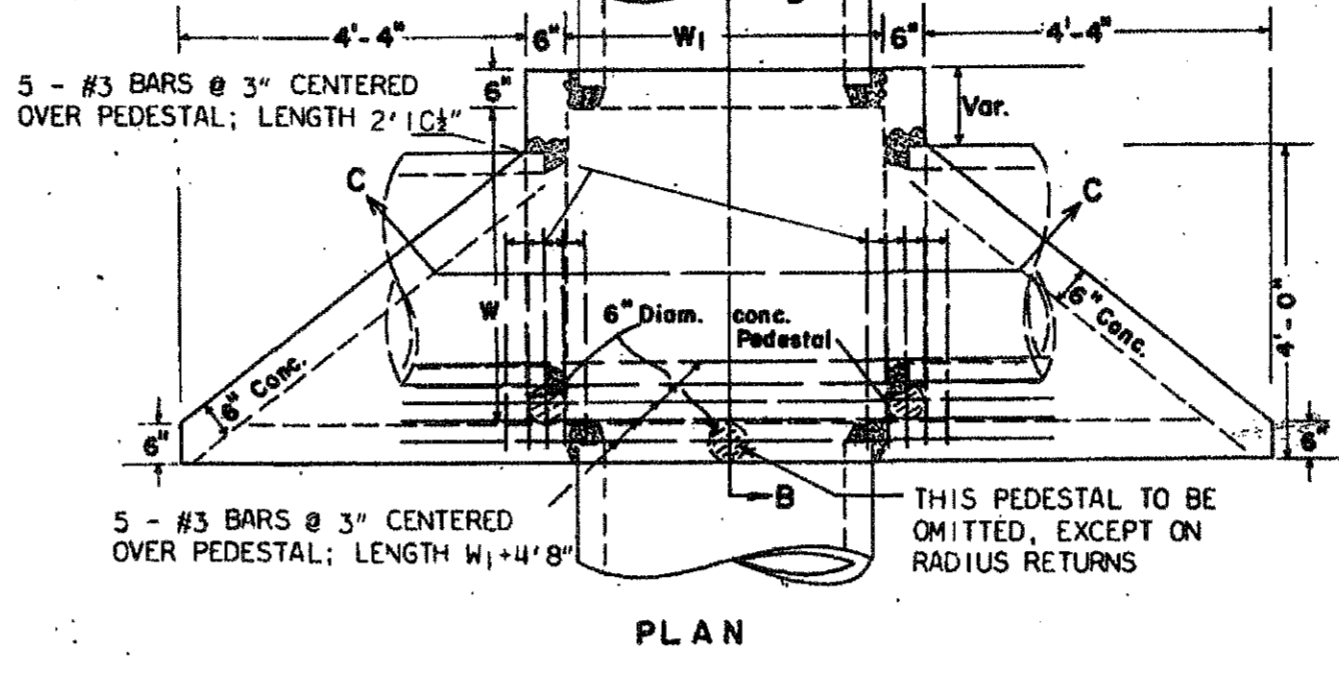
CATCH BASIN (IF CATCH BASIN HAS LONGITUDINAL PIPE OVER 24", SEE DETAILS AT RIGHT)



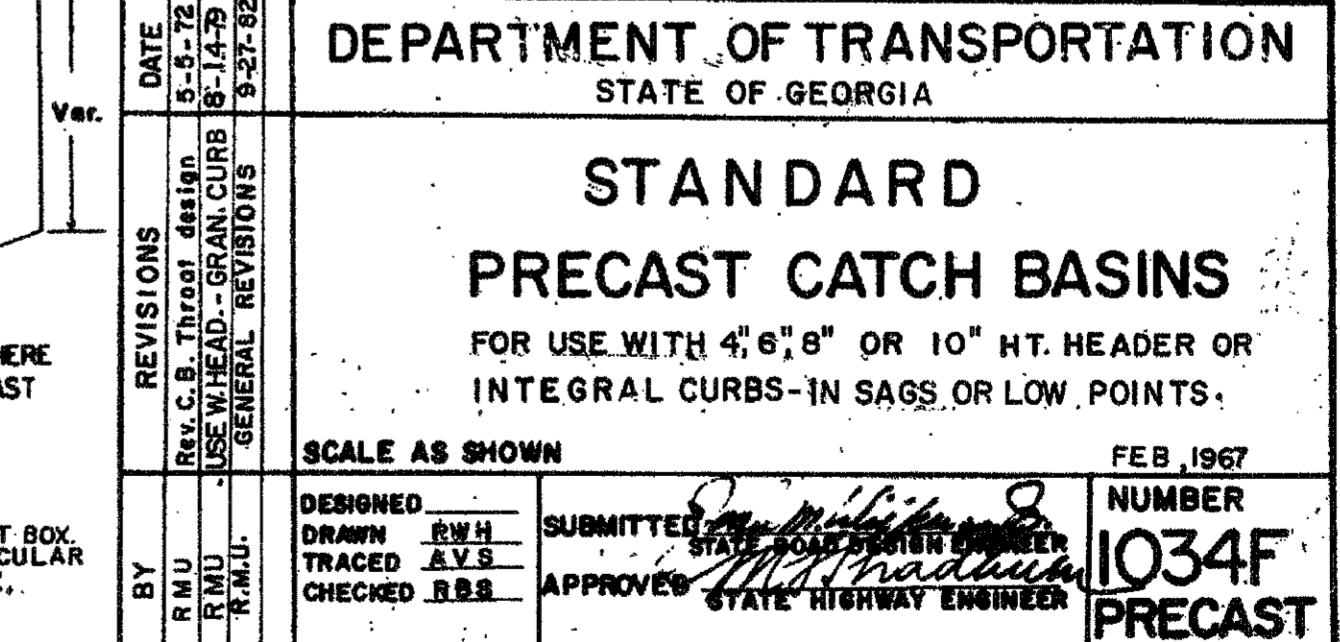
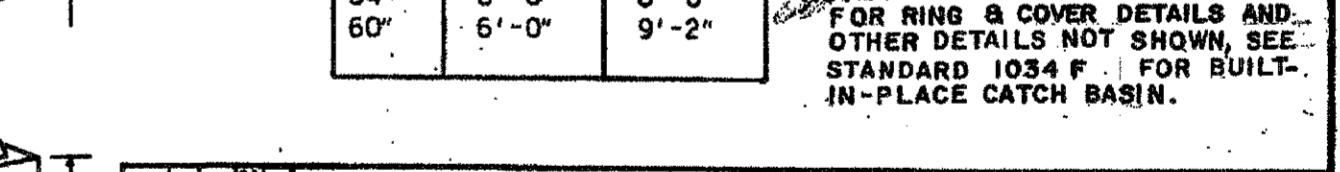
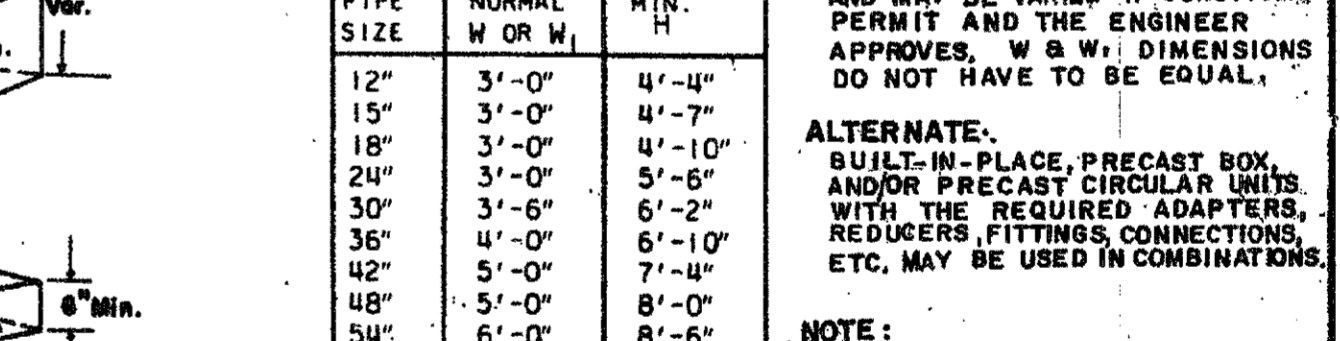
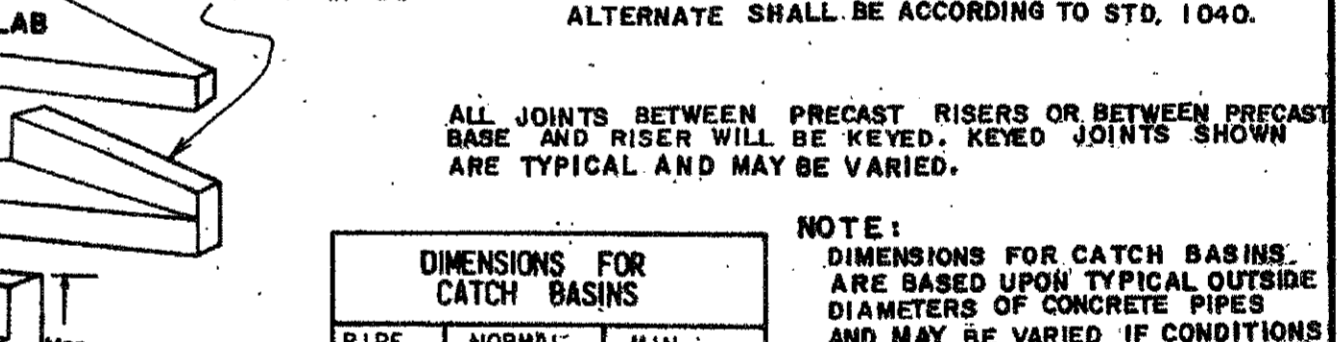
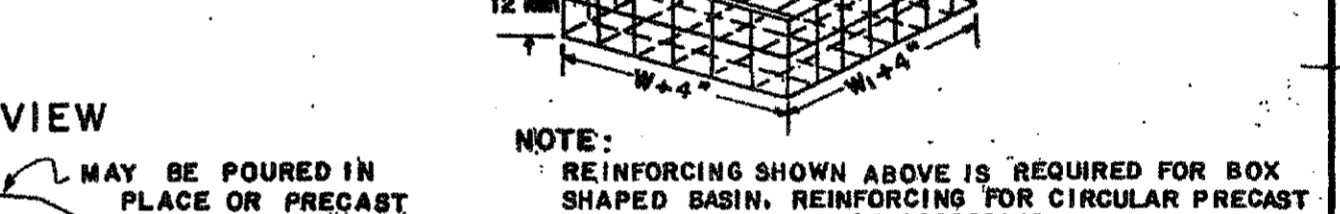
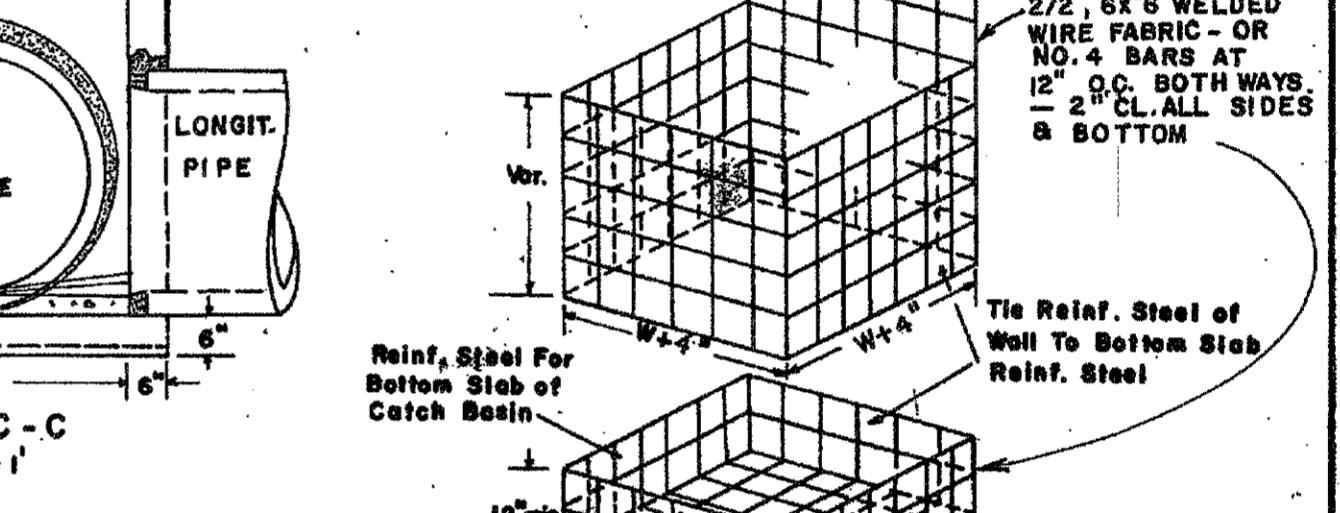
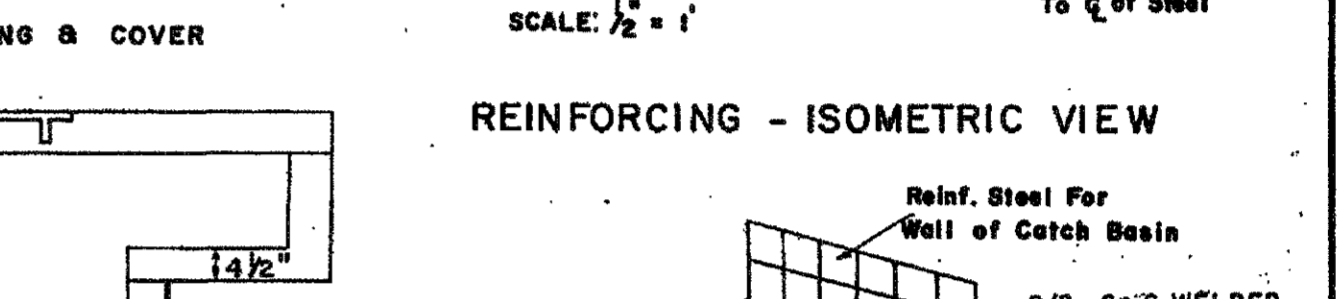
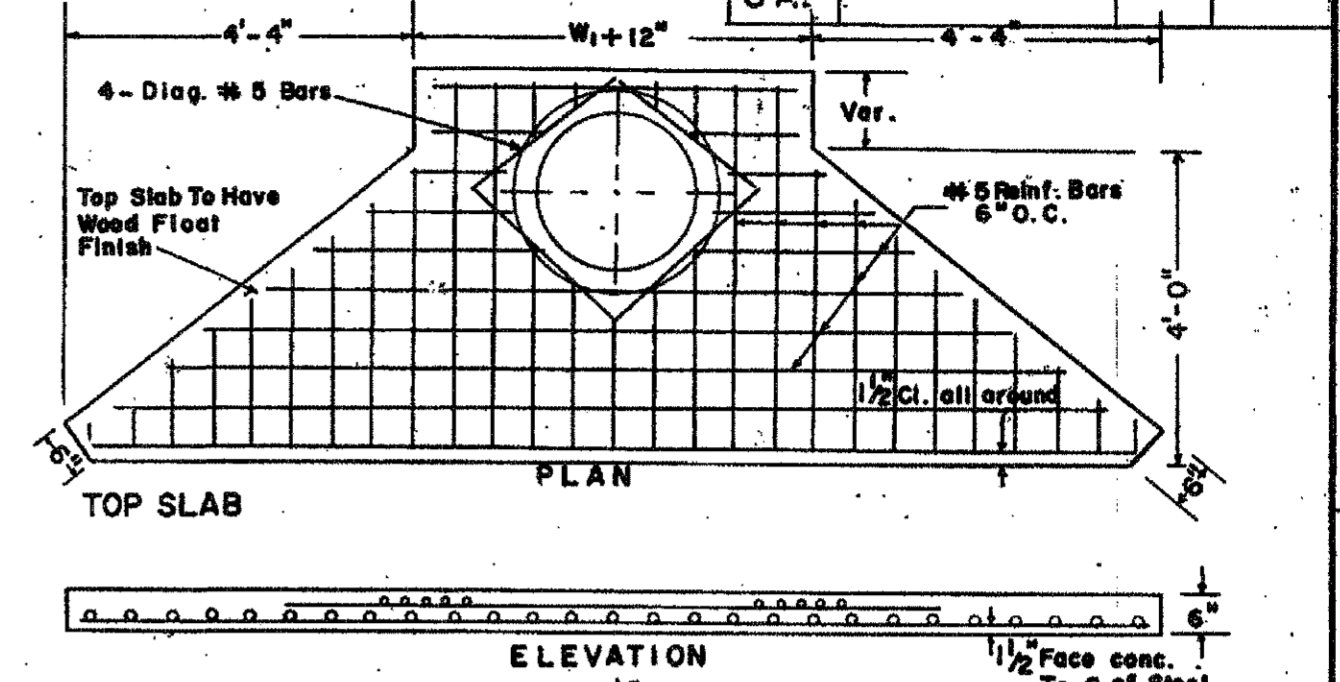
NOTE FOR ALL CATCH BASINS:
1/2" EXPANSION JOINT MATERIAL SHALL BE PLACED AROUND THE CATCH BASIN WHERE SIDEWALK OR MEDIAN PAVEMENT IS PLACED ADJACENT TO THE CATCH BASIN.
5 - #3 BARS @ 3" CENTERED OVER PEDESTAL; LENGTH 2'-10 1/2"



CATCH BASIN (TYPICAL FOR CATCH BASIN WITH LONGITUDINAL PIPE OVER 24")



CATCH BASIN (TYPICAL FOR CATCH BASIN WITH LONGITUDINAL PIPE OVER 24")



STATE	PROJECT NUMBER	SHEET NO.	TOTAL SHEETS
GA.			

PIPE SIZE	NORMAL W OR W ₁	MIN. H
12"	3'-0"	4'-4"
15"	3'-0"	4'-7"
18"	3'-0"	4'-10"
24"	3'-0"	5'-6"
30"	3'-6"	6'-2"
36"	4'-0"	6'-10"
42"	5'-0"	7'-4"
48"	5'-0"	8'-0"
54"	6'-0"	8'-6"
60"	6'-0"	9'-2"

DEPARTMENT OF TRANSPORTATION
STATE OF GEORGIA

STANDARD PRECAST CATCH BASINS

FOR USE WITH 4", 6", 8" OR 10" HT. HEADER OR INTEGRAL CURBS-IN SAGS OR LOW POINTS.

SCALE AS SHOWN

DESIGNED BY: [Signature]
DRAWN BY: [Signature]
TRACED BY: [Signature]
CHECKED BY: [Signature]

APPROVED BY: [Signature]
STATE HIGHWAY ENGINEER

FEB 1967

NUMBER 1034F
PRECAST

ATLAS-CORROSION

PEACHTREE CREEK SOUTH FORK
RELIEF STORAGE AND PUMPING STATION

CITY OF ATLANTA

DEPARTMENT OF WATERSHED MANAGEMENT

REV	DATE	REVISION DESCRIPTION
0	10/28/12	100 PERCENT BID PACKAGE

THIS LINE IS ONE INCH LONG WHEN PLOTTED FULL SCALE

THIS DRAWING MUST BE USED IN CONJUNCTION WITH THE APPLICABLE OR GOVERNING TECHNICAL SPECIFICATIONS AND OTHER CONTRACT DOCUMENTS.

PROJECT NO: FC-6260
DATE: OCTOBER 2012

RESP PROF: DW
DESIGNER: PD
CHECKER: TC

SHEET TITLE: CIVIL
00 - GENERAL
GENERAL DETAILS

SHEET NO. CD-502
REV. 0