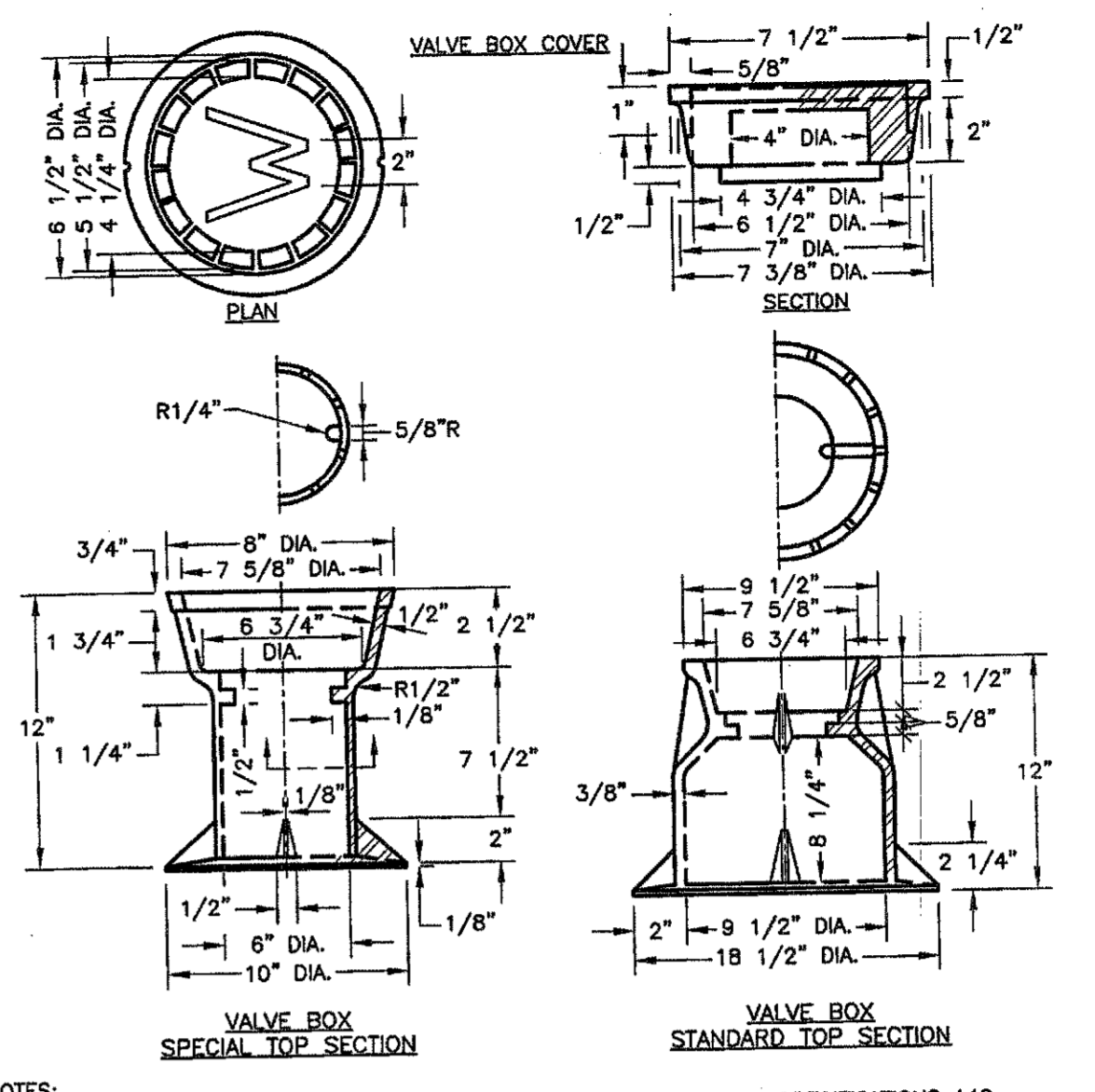
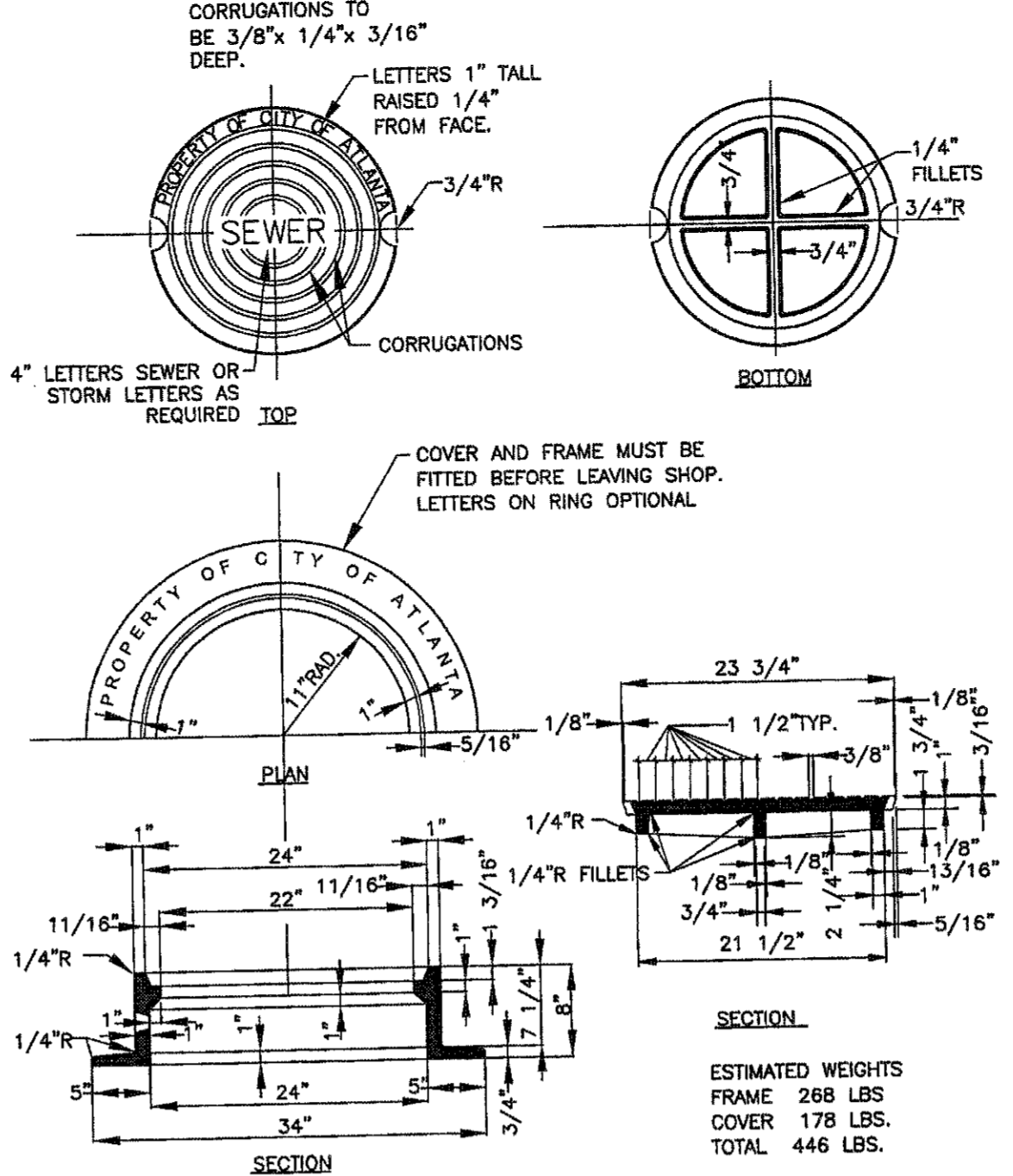
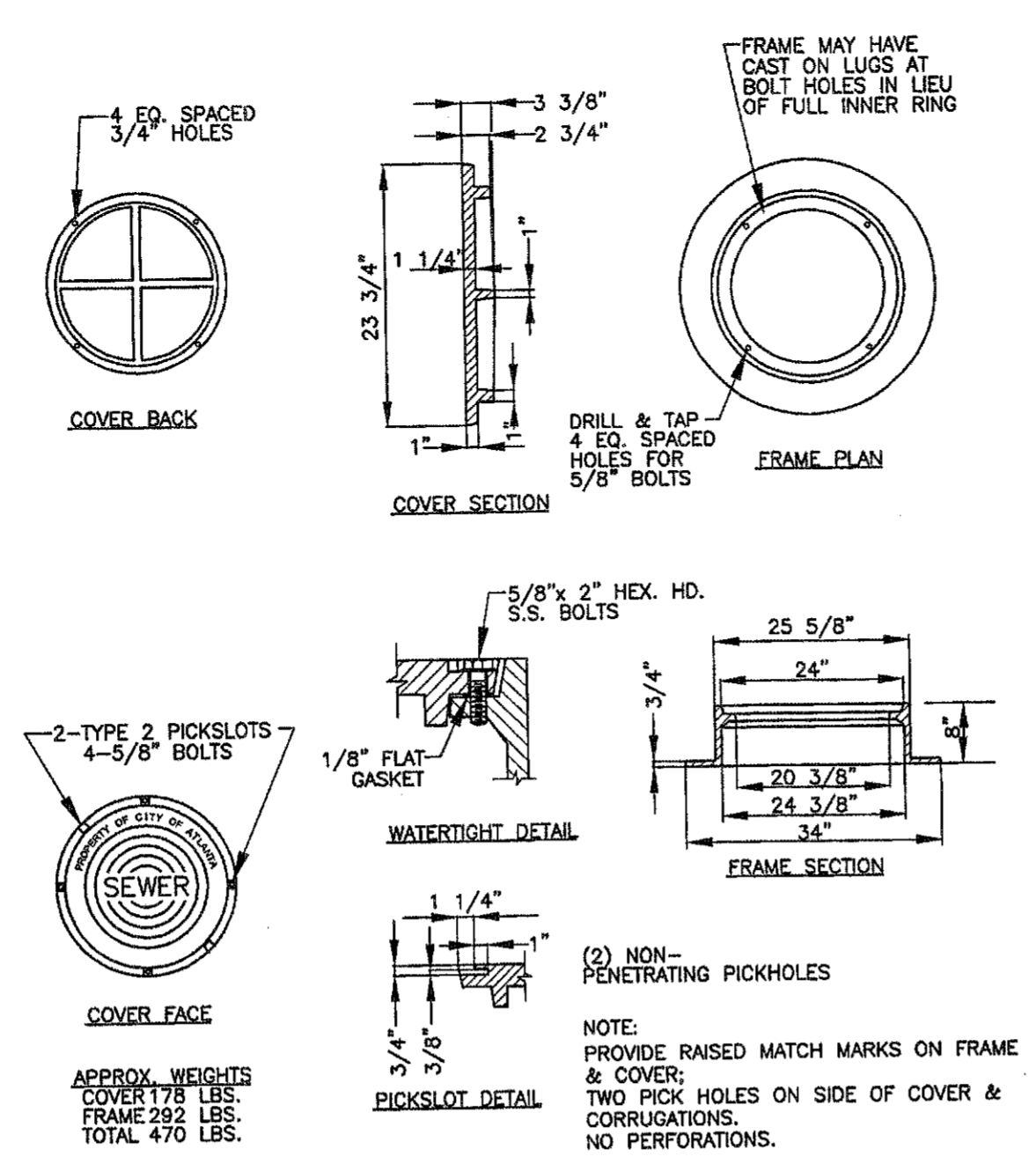
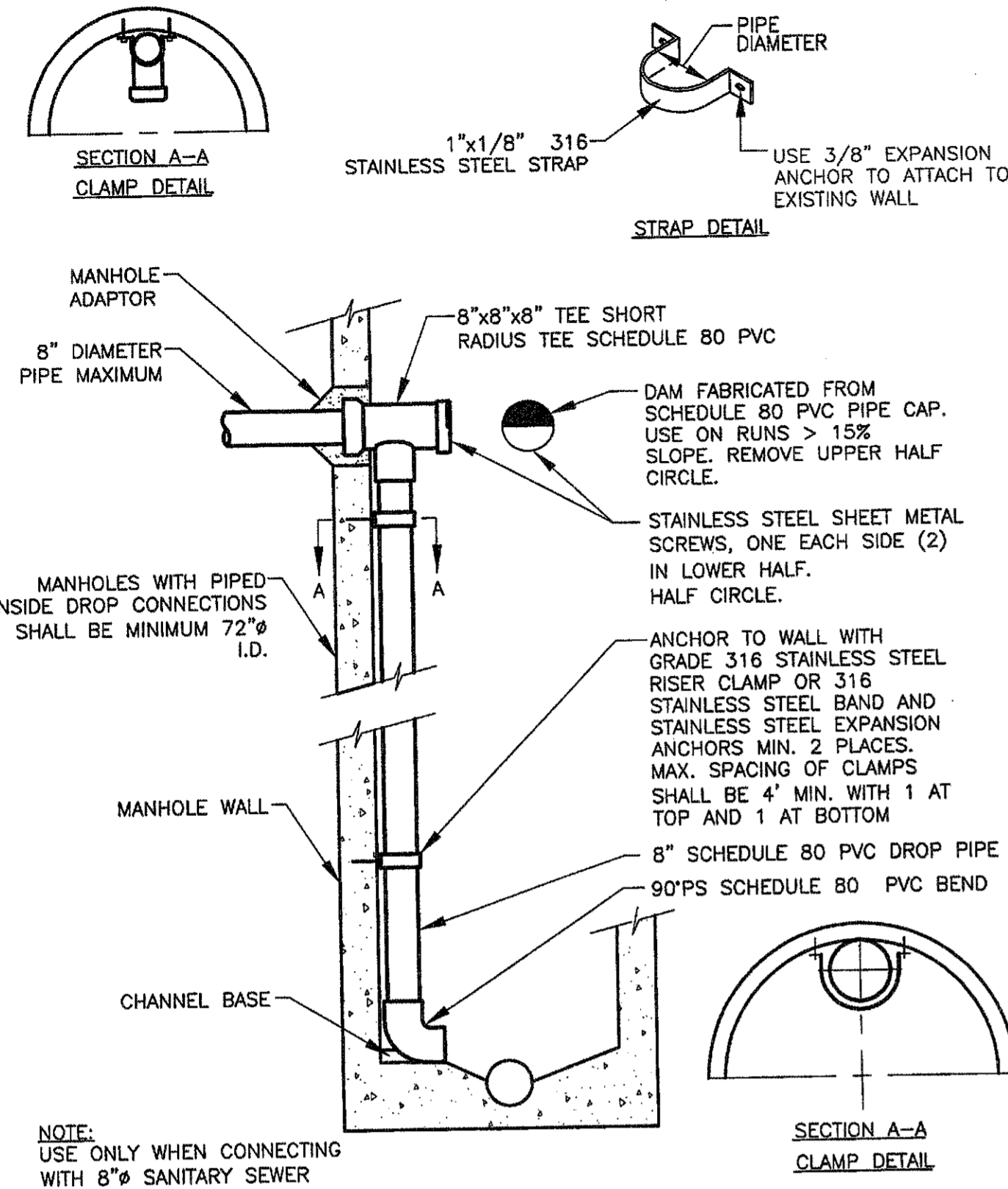
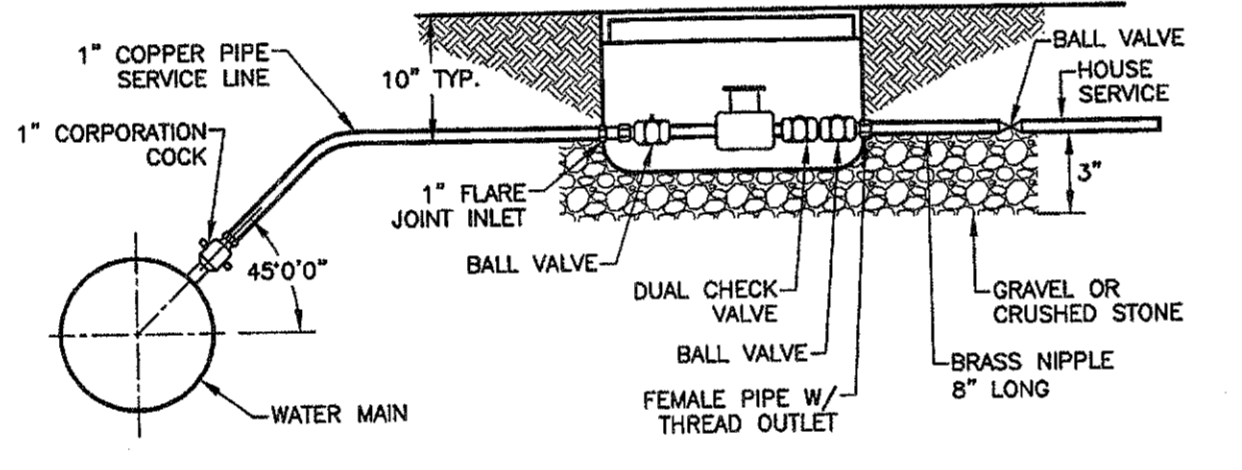


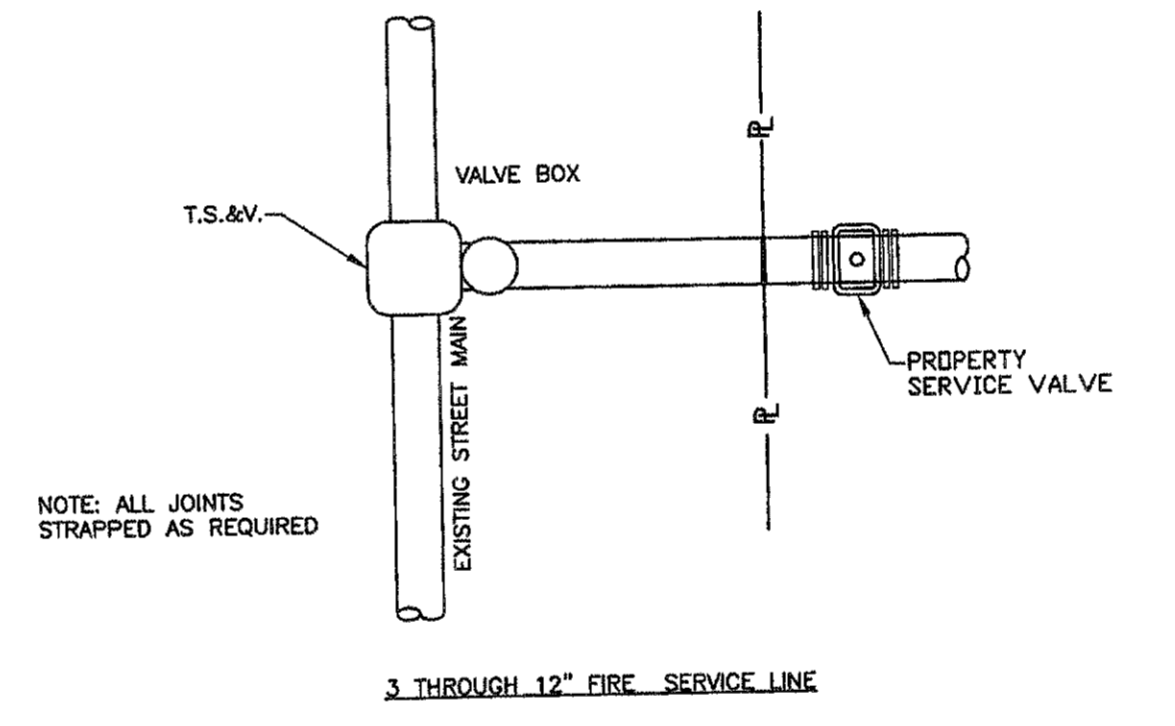
F
E
D
C
B
A



NOTES:
1. UNLESS NOTED OTHERWISE, CAST IRON SHALL CONFORM TO A.S.T.M. SPECIFICATIONS A48 LATEST REVISION FOR CLASS 20 GREY IRON CASTINGS.
2. CASTING SHALL BE TRUE AND FREE OF HOLES. THEY SHALL BE CLEANED ACCORDING TO GOOD FOUNDRY PRACTICE, CHIPPED AND GROUND AS NEEDED TO REMOVE FINIS AND ROUGH PLACES.
3. FINISHED CASTING SHALL BE COATED INSIDE AND OUTSIDE WITH COAL TAR PITCH VARNISH AS INDICATED IN A.W.W.A. SPECIFICATIONS C110 LATEST REVISION. COATING MAY BE APPLIED COLD AND SHALL THOROUGHLY COVER ALL METAL SURFACES. FINISHED COATING SHALL BE SMOOTH, GLOSSY NOT BRITTLE WHEN COLD, NOT STICKY WHEN EXPOSED TO THE SUN, AND SHALL ADHERE TO THE METAL AT ALL TEMPERATURES.
4. WHEN COATING IS COMPLETE, LID SHALL FIT SNUGLY WITHOUT ROCKING.



NOTE:
1. FOR 1 1/2" AND 2-INCH SERVICES, MULTIPLE 1-INCH SERVICE LINES SHALL BE PROVIDED BETWEEN WATER MAIN AND WATER METER.
2. NEW SERVICE LINE UNDER ROADWAYS SHALL BE INSTALLED IN A CASING. REPLACEMENT SERVICE LINES MAY BE INSTALLED BY FREE BORE IF EXIST SERVICE IS NOT CASING.



BILL OF MATERIAL

- 1.) T.S.&V.
- 2.) 1-VALVE BOX
- 3.) 10'-8" D.I.P. SHORT
- 4.) 40'-8" D.I.P. LONG

NOTE:
FOR WATER MAIN IN SIDEWALK METER MAY BE INSTALLED PARALLEL WITH WATER MAIN.
IF INSUFFICIENT AREA EXISTS WITHIN PUBLIC RIGHT-OF-WAY, A METER EASEMENT MUST BE PROVIDED.

BILL OF MATERIAL

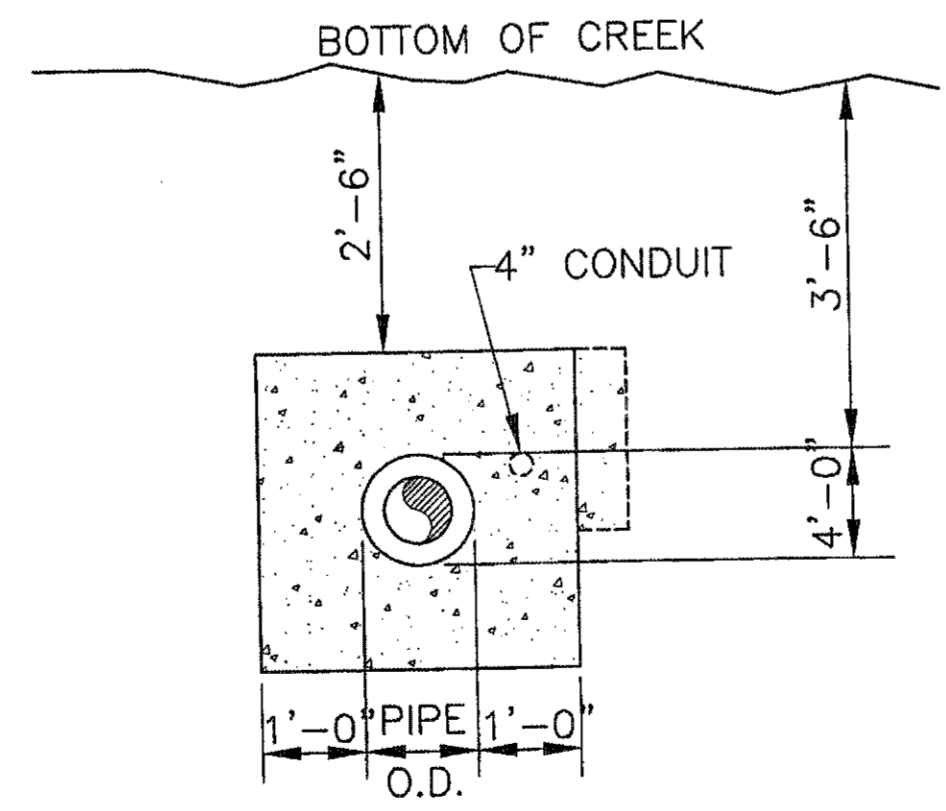
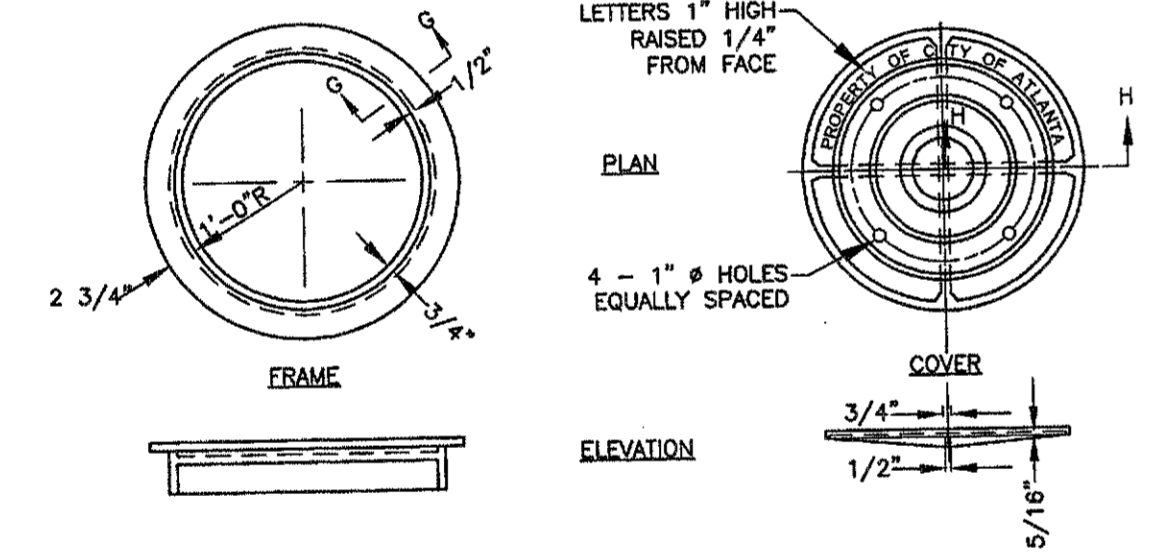
- 1.) T.S.&V.
- 2.) 2- COUPLINGS
- 3.) DETECTOR CHECK (3/4" METER)
- 4.) 10'-8" D.I.P. SHORT
- 5.) 40'-8" D.I.P. LONG

NOTE:
FOR WATER MAIN IN SIDEWALK METER MAY BE INSTALLED PARALLEL WITH WATER MAIN.
IF INSUFFICIENT AREA EXISTS WITHIN PUBLIC RIGHT-OF-WAY, A METER EASEMENT MUST BE PROVIDED.

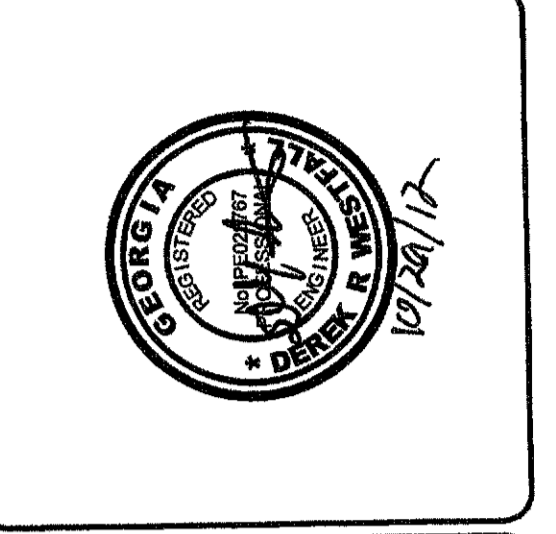
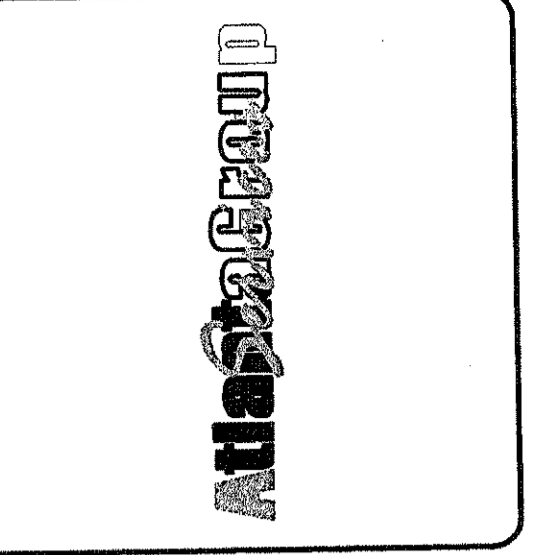
DIMENSIONS (IN INCHES)

DETECTOR CHECK SIZE	A	B	C	D
6"	22	48	34	20
8"	26	48	34	20
10"	26	48	34	20

NOTE: THIS DRAWING FOR DESIGN INFORMATION ONLY UWSA FORCES WILL INSTALL ALL DETECTORS CHECK VALVES.



1. CONCRETE TO BE 3000 P.S.I.
2. PIPE SHALL BE DUCTILE IRON PIPE
3. CONCRETE ENCASEMENT TO EXTEND FROM TOP OF STREAM BANK TO TOP OF STREAM BANK



PEACHTREE CREEK SOUTH FORK RELIEF STORAGE AND PUMPING STATION

DEPARTMENT OF WATERSHED MANAGEMENT

CITY OF ATLANTA

REV	DATE	DESCRIPTION
0	10/28/12	100 PERCENT BID PACKAGE

THIS LINE IS ONE INCH LONG WHEN PLOTTED FULL SCALE

THIS DRAWING MUST BE USED IN CONJUNCTION WITH THE APPLICABLE OR GOVERNING TECHNICAL SPECIFICATIONS AND OTHER CONTRACT DOCUMENTS.

PROJECT NO: FC-6260
DATE: OCTOBER 2012

RESP PROJ: DW
DESIGNER: PD
CHECKER: TC

SHEET TITLE: CIVIL
00 - GENERAL
GENERAL DETAILS

SHEET NO. CD-501
REV. 0