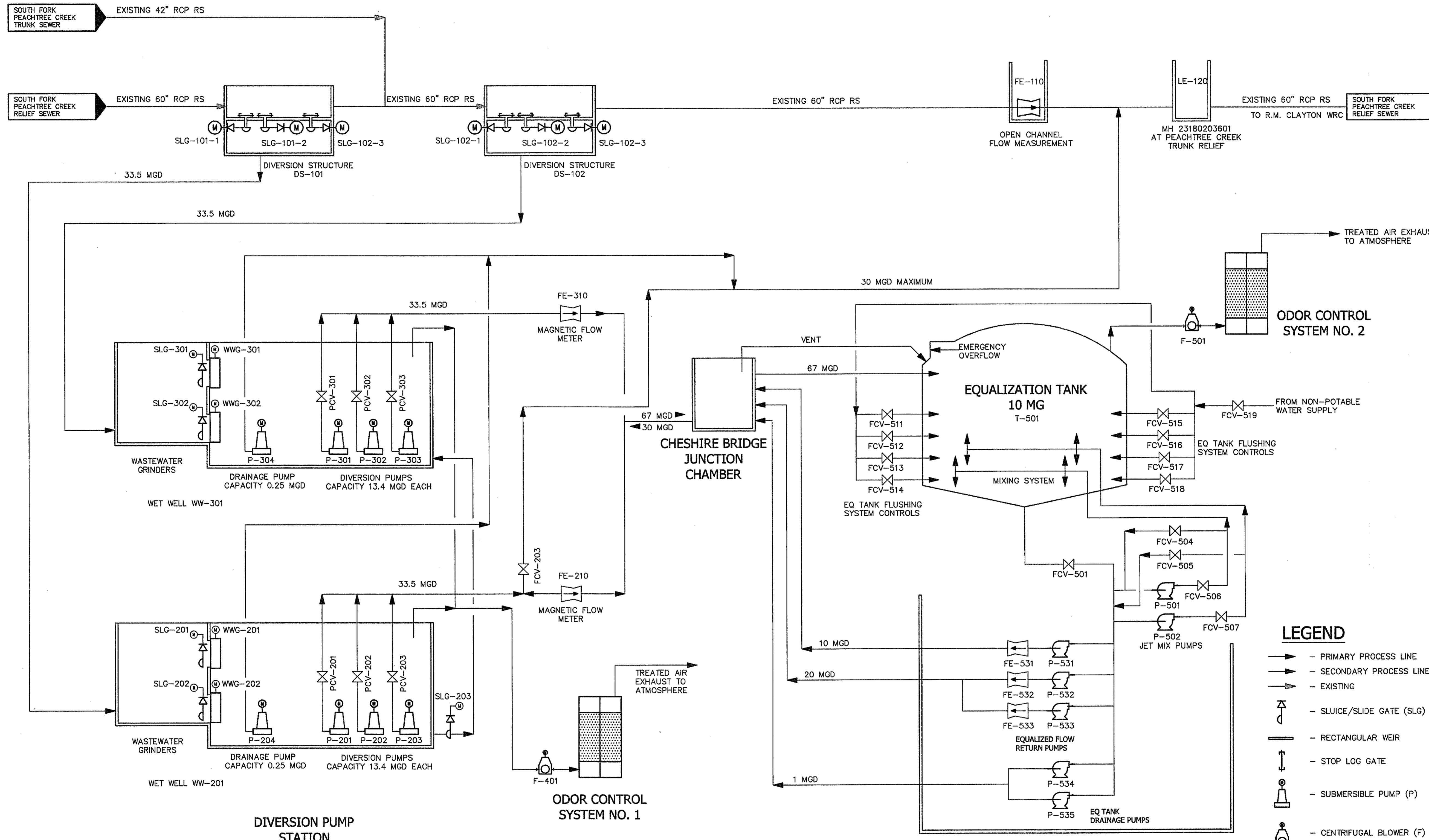
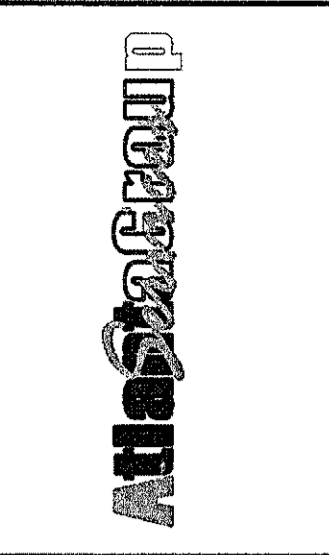


F
E
D
C
B
A



- LEGEND**
- PRIMARY PROCESS LINE
 - SECONDARY PROCESS LINE
 - EXISTING
 - SLUICE/SLIDE GATE (SLG)
 - RECTANGULAR WEIR
 - STOP LOG GATE
 - SUBMERSIBLE PUMP (P)
 - CENTRIFUGAL BLOWER (F)
 - CENTRIFUGAL PUMP (P)
 - FLOW METER (FE)



PEACHTREE CREEK SOUTH FORK
RELIEF STORAGE AND PUMPING STATION

CITY OF ATLANTA
DEPARTMENT OF WATERSHED MANAGEMENT

REV	DATE	REVISION DESCRIPTION
0	10/28/12	100 PERCENT BID PACKAGE

THIS LINE IS ONE INCH LONG WHEN PLOTTED FULL SCALE

THIS DRAWING MUST BE USED IN CONJUNCTION WITH THE APPLICABLE OR GOVERNING TECHNICAL SPECIFICATIONS AND OTHER CONTRACT DOCUMENTS.

PROJECT NO: FC-6260
DATE: OCTOBER 2012

RESP PROF: KB DESIGNER: PS CHECKER: DSF

SHEET TITLE
GENERAL
00 - GENERAL
PROCESS FLOW DIAGRAM