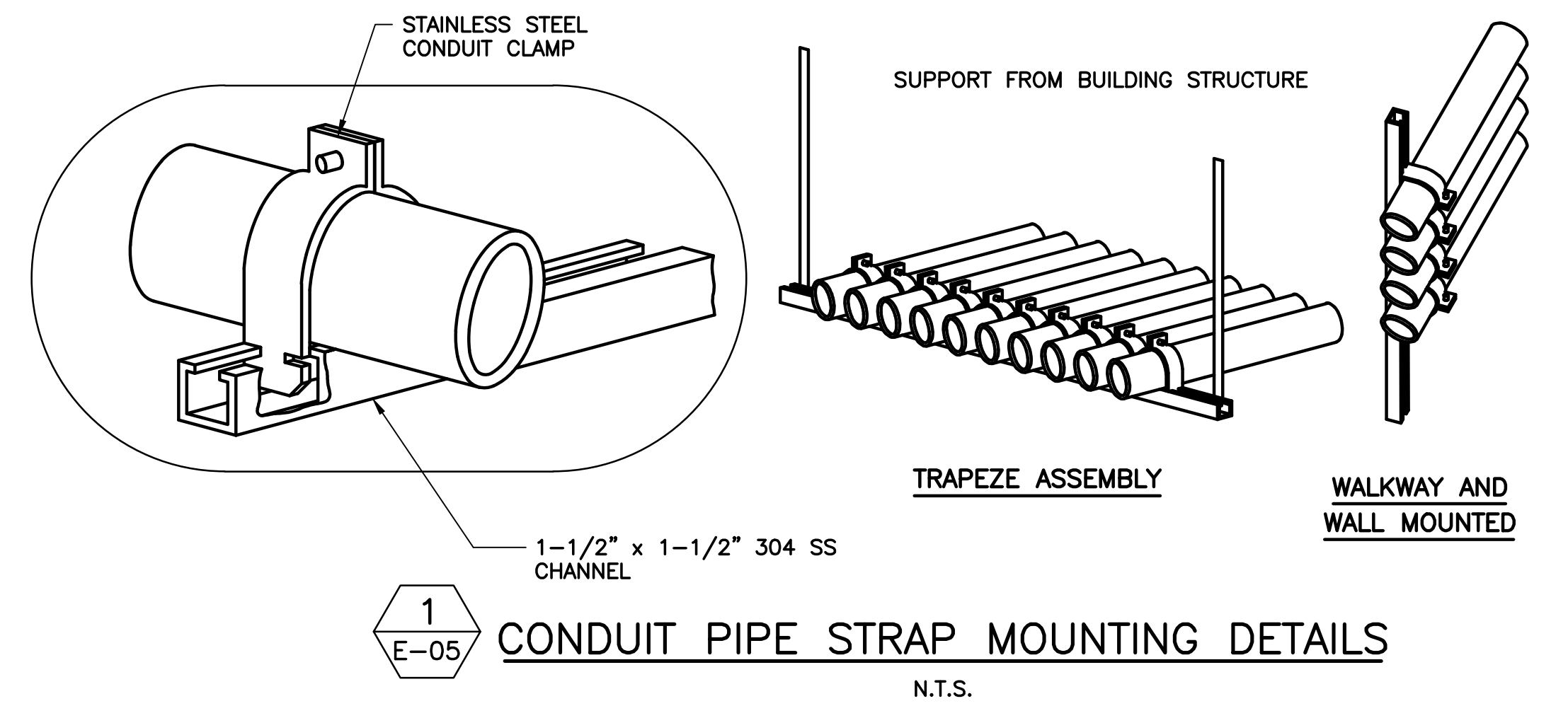
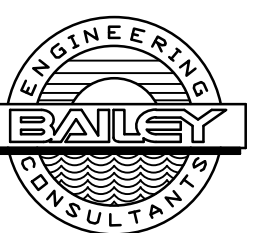


This document, together with the concepts and designs presented herein, is intended only for the specific purpose and client for which it was prepared. Reuse of and improper reliance on this document without written authorization and adaptation by Kimley-Horn and Associates, Inc. shall be without liability to Kimley-Horn and Associates, Inc.



10620 GRIFFIN ROAD, SUITE 202
 COOPER CITY, FLORIDA 33328
 PHONE: (954) 448-7930
 C.O.A. NO. 6783
 Stephen E. Bailey, P.E.
 Florida P.E. No. 42461



BIDSET SUBMITTAL

No.	REVISIONS	DATE	BY

Kimley»Horn

1777 MAIN STREET, SUITE 200, SARASOTA, FL 34236
 PHONE: 941-379-7600
 WWW.KIMLEY-HORN.COM CA 00000696

KHA PROJECT	
DATE	4/24/20
SCALE:	AS NOTED
DESIGNED BY	SEB
DRAWN BY	SJL
CHECKED BY	SEB

Sarasota County

PEACE RIVER INTERCONNECT AND POTABLE WATER TRANSMISSION MAIN

SARASOTA COUNTY FL

LICENSED PROFESSIONAL

STEPHEN E. BAILEY, P.E.

42461

DATE:

ELECTRICAL DETAILS

SHEET NUMBER

E-05