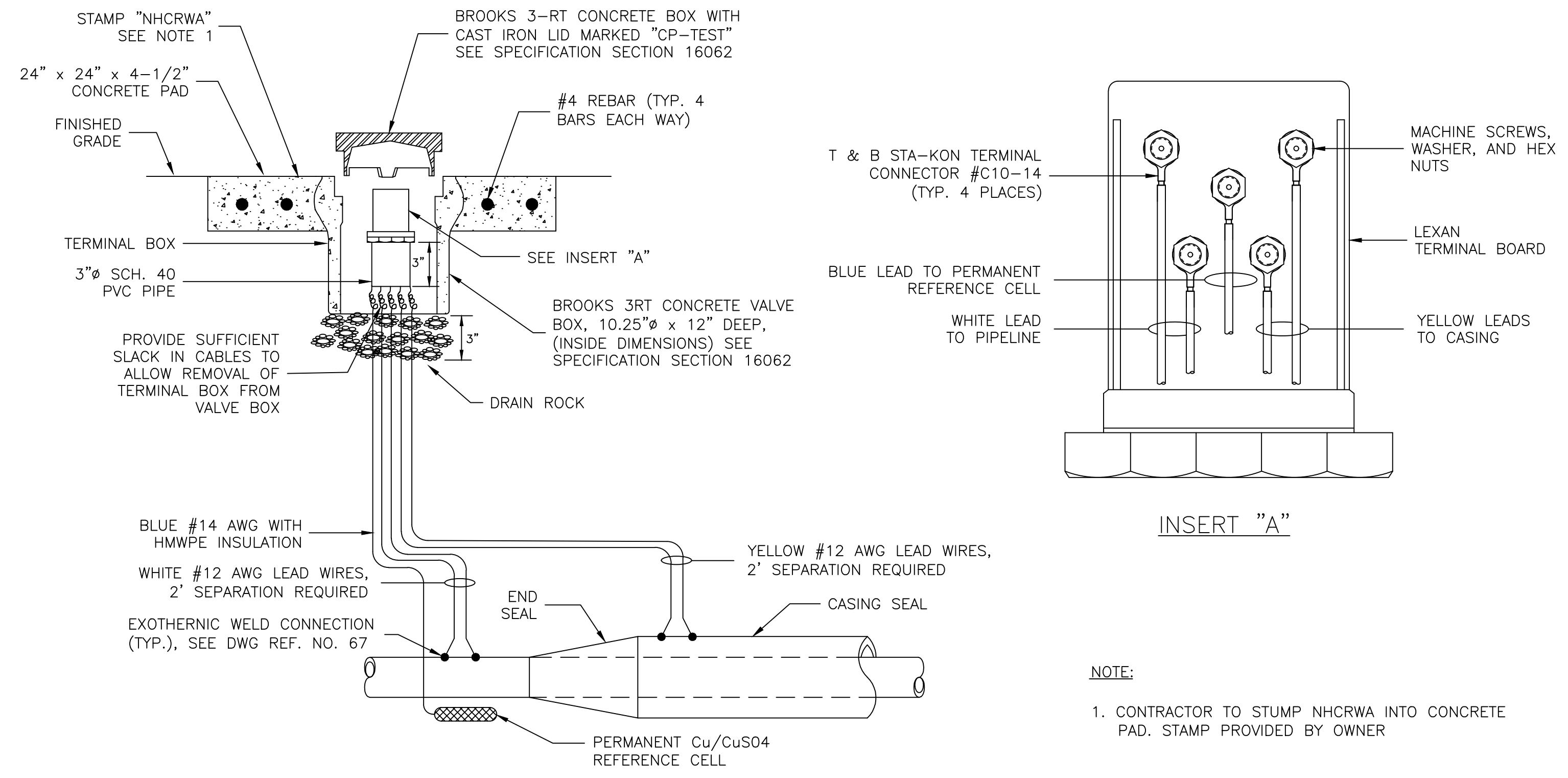


No.	Date	Revisions	App.
1	6/16/20	Addendum No. 1	C.L.



① TYPE CP FLUSH MOUNTED CASSED CROSSING TEST STATION

TEST STATION SCHEDULE

Test Station	Station No.	Type of Test Sta.	Remarks
1	2+60.5	IF	Insulation flange at tie-in to Project 28A
2	3+72.3	CP	
3	4+52.8	CP	
4	5+73	CP	Crossing Lakewood Forest Dr.
5	6+41	CP	Crossing Lakewood Forest Dr.
6	11+68	CP	Crossing Cypress Creek
7	15+13	CP	Crossing Cypress Creek
8	24+32	CP	Crossing Oak Hollow Dr.
9	25+02	CP	Crossing Oak Hollow Dr.
10	26+70	CP	
11	26+90	CP	
12	40+24	CP	Crossing Oak Hollow Circle
13	40+84	CP	Crossing Oak Hollow Circle
14	49+76	CP	
15	52+05	CP	
16	52+63	CP	
17	56+03	CP	
18	56+80	CP	
19	57+00	CP	
20	3+40	CP	Crossing HCFCD drainage ditch and KM pipeline crossings
21	5+40	CP	Crossing HCFCD drainage ditch and KM pipeline crossings
22	13+12	CP	Crossing Jones Rd.
23	14+17	CP	Crossing Jones Rd.
24	23+48	TS	Beside Manhole
25	11+83	CP	Crossing AT&T Texas / SWBT
26	10+53	CP	Crossing AT&T Texas / SWBT
27	6+27	CP	Enterprise Pipeline crossings
28	5+12	CP	Enterprise Pipeline crossings
29	4+15	IF	Insulation flange at tie-in to Project 28C

Test Station Type
TS = Potential Test Station
CP = Casing Test Station
IF = Isolation Flange Test Station
FL = Foreign Line Test Station

② TEST STATION TABLE

Steel Pipe with Dielectric Coating or DIP with PE

Rectifier Location	Size of Rectifier	No. of TA2 Anodes	Anode Well Depth			
			Dia (in)	Total (ft)	Active (ft)	Inactive (ft)
Station No. 49+00 – Grant Road	20 Volts 20 Amps	6	8	170	67	103

Concrete Cylinder Pipe (CCP)

Rectifier Location	Size of Rectifier	No. of TA2 Anodes	Anode Well Depth			
			Dia (in)	Total (ft)	Active (ft)	Inactive (ft)
Station No. 26+25 – Matzke Park	15 Volts 15 Amps	5	8	160	57	103
Station No. 15+99 – Grant Road	15 Volts 15 Amps	5	8	160	57	103

③ RECTIFIER TABLE

North Harris County REGIONAL WATER Authority

AECOM

AECOM TECHNICAL SERVICES, INC.
5444 WESTHEIMER RD., SUITE 200
HOUSTON, TEXAS 77056
WWW.AECOM.COM
TBP# REG. NO. F-3580
713.780.4100

CATHODIC PROTECTION
DETAILS FOR TUNNEL
OR CASSED CROSSING

06-16-2020

DRAWN BY: -- CHECKED BY: --

corrpro
An Aegion™ Company

REF. NO. 63 SHEET No. 63 OF 99

LAST MODIFIED: Jun 16, 2020 - 3:34pm BY USER: FMoreno
 DWG. LOCATION: G:\Regional\JOBS\2017\30 HOUSTON\340303196 NORTH HARRIS COUNTY WATER 28B - CYPRESS, TX\6 - Design & Specs\Detail Drawings 28B\
 DWG. NAME: 63-Cathodic Protection for Tunnel.dwg