



BRUNSWICK-GLYNN COUNTY JOINT WATER & SEWER COMMISSION

May 21, 2020

PROJECT: Invitation for Bid No. 20-014 – Lift Station 4003 Upgrades

ADDENDUM: Two (2)

DUE DATE: TUESDAY, June 2, 2020 12:00PM, NOON

THIS ADDENDUM IS FOR THE PURPOSE OF ANSWERING THE FOLLOWING QUESTIONS:

1) **QUESTION:** Will alternate pump manufacturers be accepted for this project?

ANSWER: Gorman Rupp is the only approved manufacturer for this project.

2) **QUESTION:** Please provide which other lift stations empty into LS4003.

ANSWER: One very small lift station, PS4064 feeds to 4003.

3) **QUESTION:** Are there permanent pumps associated with this project?

ANSWER: There are no permanent pumps as part of this project. The only bypass is temporary and will be removed after the station is in service.

4) **QUESTION:** Is there a procedure for contractors to gain access to the site for inspection prior to bid submittal?

ANSWER: There will be no further access to the site after the site visit held on May 14th, 2020 as part of the mandatory pre-bid meeting.

5) **QUESTION:** What is the bypass plan for MH 40030010, located upstream off K Street?

ANSWER: The Contractor is to develop and submit a bypass plan for approval to operate at the specified duty point, complete with critically silent redundant pumps and auto dialer.

- 6) QUESTION: Will alternate coatings be accepted? Contractor would like to submit Strong Seal as a qualified alternative for this project.**

ANSWER: Yes, Strong Seal is an acceptable alternative coating for this project. Specifically Strong Seal High Performance Mix.

- 7) QUESTION: Since liquidated damages are in place, will there be any sort of premium or incentive for early completion?**

ANSWER: No, there will be no premium or incentive in place for early completion of this project.

- 8) QUESTION: The Instructions to Bidders section of the IFB documents, Paragraph 7 states that the time to completion is 180 days. We feel this is not enough time to complete the project and request additional time.**

ANSWER: Yes, the project length has been extended to 240 days with 180 to place into operation without odor control.

- 9) QUESTION: The Instructions to Bidders section of the IFB documents, Paragraph 9 – Can the electronic copy of the bid be waived or can it be handed in within 24 hours after the bid date?**

ANSWER: No, the electronic copy MUST be submitted with the bid as part of the completed bid package.

- 10) QUESTION: The General Information section of the IFB, Paragraph 1.8 – Will the contractor be responsible for paying the fees associated with a local building permit?**

ANSWER: Yes, the contractor is responsible for local building permit fees.

- 11) QUESTION: In the Sanitary Sewer Lift Station Standards, Section 4.5.2.3 – Will the area inside the fence be restored with new filter fabric, weed killer, and stone?**

ANSWER: Yes

- 12) QUESTION: In the Measurement and Payment section of the IFB, Paragraph D – Will the low bid be based on the Total Bid Amount, or will the owner pick and choose from the different Bid items to determine the low Bidder?**

ANSWER: The JWSC will determine the low bid based on achieving the lowest

price using either the Base Bid or the Bid Alternate

- 13) **QUESTION:** In the Measurement and Payment section of the IFB, Paragraph D – Will the Contract Award be based on the Total Bid Amount, or will the owner pick and choose from the different Bid items to determine a “Contract Amount”?

ANSWER: The JWSC will determine the low bid based on achieving the lowest price using either the Base Bid or the Bid Alternate.

- 14) **QUESTION:** In reference to Sheet E2 – It appears that one roof fan is being removed and two new ones are being installed. The contractor will need to patch the opening at the existing and cut new openings for the new fans. Please furnish a detail for what type of new roof curbs will be required.

ANSWER: The curb detail for this project has been updated. Please see attachment at the end of this addendum. Only one opening should be cut; the other opening is already there. The curb detail has also been posted to the solicitation website, <https://www.bgjwsc.org/invitation-for-bid-no-20-014-lift-station-4003-upgrades-2016-splst-project-no-703/>

- 15) **QUESTION:** On the Bid Form, Items 19, 20, & 21 – Will it be the owner’s responsibility or the contractor’s for coordinating the asbestos testing and abatement, Georgia Power, and Terracon?

ANSWER: The Contractor shall coordinate the asbestos testing and abatement and Georgia Power. Bid Item 21 relating to a Terracon allowance has been removed. All compaction and concrete testing shall be included in and incidental to the related Bid Item.

- 16) **QUESTION:** In Reference to Sheet 10 – The note say to “plumb pipe vertically”. What will be required for this?

ANSWER: The Contractor shall straighten the pipe in the vertical direction. It is currently leaning.

- 17) **QUESTION:** In Reference to Sheet 04 – Is the Contractor supposed to re-use the existing valve between the building and the bypass riser and install a new valve box?

ANSWER: The Contractor is to install a new Dezurik Plug Valve

- 18) **QUESTION:** In Reference to the Standards Manual – Gravity Sewers – Is Spectrashield an acceptable coating for the new wetwell?

ANSWER: No, the coating for the wetwell and manhole shall be in accordance with Specification Section 03310. Item 3.6.7.7 of the Gravity Sewer Systems Acceptable Manufacturers table in Appendix 3A of the Standards for Water and Sewer Design

and Construction shall NOT apply to this project. Spectrashield or any other spectra-guard urethane type coating will not be accepted for this project.

- 19) **QUESTION:** In Reference to Section 02231, Paragraph 4.2 – States that the contractor shall inspect every 2 hours. For night and weekends would an auto-dialer system be acceptable?

ANSWER: An auto dialer would be acceptable provided the bypass pumping plan submitted by the Contractor is acceptable. The auto-dialer must be capable of a primary, secondary and tertiary contact. The tertiary contact shall be JWSC-SPM

- 20) **QUESTION:** In Reference to Section 02231 – There is no mention of sound attenuation for the pumps. Will there be a requirement for noise control?

ANSWER: Critically silenced bypass pumps shall be required due to the proximity of this station to residential housing.

- 21) **QUESTION:** Per Note 21 on drawing number 02, will the JWSC retain ownership of any equipment/materials removed as part of this project? If so, which items and where will the contractor need to deliver them?

ANSWER: A partial list includes: VFD's, Soft Starts, Unit Heater, SS Enclosures, KSB Pump, Check Valves, Existing Overhead Chain Fall & Iron Beam and Godwin DBP. The items should be delivered to Systems Pumping & Maintenance Department located at 2909 Newcastle Street, Brunswick, GA 31520

- 22) **QUESTION:** Can the limits of construction be expanded beyond the silt fence boundary shown on drawing number 04 – specifically to the south and west?

ANSWER: Yes, the Contractor shall assume that the temporary construction activities will be allowed along the areas south and west of the lift station fence. No clearing, permanent structures or property damage will be permitted in these areas. The JWSC has secured a temporary construction easement for the parcel south (owned by Atlantic Southeast Enterprises, LLC). The area between the lift station fence and Newcastle Street is owned by the City of Brunswick and may be used for temporary construction.

- 23) **QUESTION:** Can the upstream manhole be used as the suction point for by-pass pumping on a temporary basis – from several hours up to a couple days?

ANSWER: If submitted and approved, the Contractor shall be responsible for obtaining approval from the City of Brunswick, providing public notification and maintaining access to adjacent houses at all time. This plan shall include right-of-way access and a traffic plan.

24) QUESTION: Are horizontal construction joints permitted in the wet well walls?

ANSWER: Yes, using a PVC waterstop.

25) QUESTION: On drawing number S1 under “Shop Drawing Submittal”, it states that a shop drawing submittal schedule shall be submitted 4 weeks prior to the first submittal and then to allow 14 days for review. Is this correct that a fabrication of materials cannot begin for at least 6 weeks after award of the project?

ANSWER: A shop drawing schedule will not be required. Please disregard Note 3 under the heading “Shop Drawing Submittals” on Sheet S1.

26) QUESTION: Can the JWSC please confirm the required operating point for the bypass at peak flow of 3,000 GPM @ 50’ TDH?

ANSWER: The Contractor shall submit the bid proposal based on providing redundant bypass pumps with a peak flow of 3,000 GPM at 50’ TDH

27) QUESTION: What is the maximum allowable surcharge elevation in MH-40030111 (based on the depth of these manholes, allowing the lines to surcharge in order to minimize the suction lift to the greatest extent possible will reduce costs of oversizing the bypass system to BGJWSC)

ANSWER: The Contractor may submit a bypass plan for review and consideration that does not exceed existing surcharging of the gravity system. The elevation is currently operating at 15-20 feet below rim.

28) QUESTION: Will Raven 405 High-Build Epoxy be an acceptable lining system in lieu of the specified cementitious coating?

ANSWER: No.

29) QUESTION: If the Raven 405 is not acceptable, will Strong-Seal High Performance Mix (cementitious coating/lining) be an “or-equal” product to the specified cementitious coating?

ANSWER: Yes, please refer to question #6 of this Addendum.

30) QUESTION: Our firm has confirmed that the lead time for the odor control system is 6 months. There are 6 weeks for submittals and 18 weeks for fabrication and delivery. This does not include the submittal review time for the owner/engineer. Nor does it give the contractor time to install and test. Would the JWSC consider adding time to this project?

ANSWER: Yes, the time has been extended to 240 days. Please refer to question #8 of this Addendum.

31) QUESTION: Who is responsible for HazMat?

ANSWER: The contractor is responsible for HazMat removal. Please reference line item allowance on Line #19 of the bid form modified May 22, 2020. This bid form can be found on the solicitation website, <https://www.bgjwsc.org/invitation-for-bid-no-20-014-lift-station-4003-upgrades-2016-splst-project-no-703/>

32) QUESTION: Who is responsible for bypass?

ANSWER: The contractor is responsible for bypass. JWSC bypass will be removed at the start of this project and the contractor will be responsible for all aspects of bypass pumping throughout the life of the project.

33) QUESTION: Can other vendors provide instrumentation, transfer switch, and VFD's?

ANSWER: Yes, EMC is required to provide SCADA system but other components may be supplied by EMC or others. The SCADA system shall be provided by Electric Machine Control, Inc. (EMC). Contact James Denton (205) 661-3998, Cell (205) 910-8348

****PLEASE NOTE:**

- **The bid form for this project has been updated as of May 22, 2020. Please use this bid form for your final bid submissions. It is included in this addendum and posted to the solicitation website, <https://www.bgjwsc.org/invitation-for-bid-no-20-014-lift-station-4003-upgrades-2016-splst-project-no-703/>**
- **16 Pulse VFD's are not necessary for this project; 6 Pulse for Heavy Duty will be accepted. No VFD spare parts are needed.**
- **VFD's are to be wall mounted on U-channel, along with all components that are to be wall mounted in room (No individual cabinets, A/C supplied room)**
- **Pump Disconnects to be SS 304 properly rated, located downstairs following all NEC codes**
- **NEMA 4X 304 main disconnect to be load break and fused.**
- **The plans for this project have been updated and posted to the solicitation website, <https://www.bgjwsc.org/invitation-for-bid-no-20-014-lift-station-4003-upgrades-2016-splst-project-no-703/>**
 - **Prints Page 4, Vega Redar to be Vega Model C21, with mounting clearance from walls of 24x24**
 - **Page E3 – SCADA System II. A. Replace “Aluminum” with Painted Steel Nema 3R**
 - **Page E3 – SCADA System II. C. Replace the SCADA Panel Dimensions with 48x36x12**
 - **E1. 1. SITE PLAN – ELECTRICAL Replace Automatic Transfer**

- switch detail to Manual Transfer Switch**
- **E2. 4. POWER ENTRANCE FLOOR PLAN – XMFR T-A to be located outside of A/C room mounted high above head level on wall behind AHU-2**



All applicants under this Invitation for Bid are kindly requested to acknowledge receipt of this Addendum in original only.

**ACKNOWLEDGEMENT
ADDENDUM: TWO (2)**

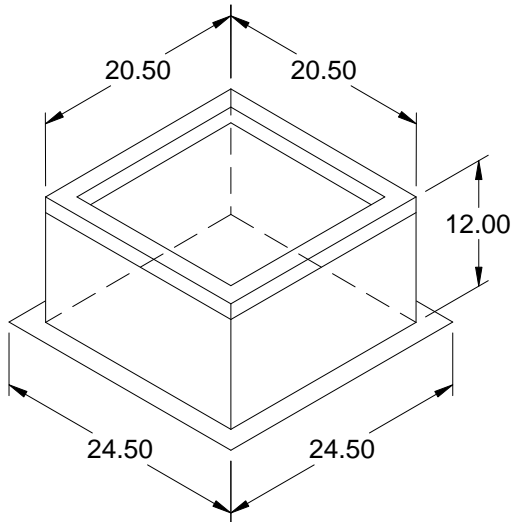
DATE: _____

The above Addendum is hereby acknowledged:

(NAME OF BIDDER)

Signature

Title



Model: GPI

Roof Curb

Standard Construction Features:

- Roof Curb fits between the building roof and the fan mounted directly to the roof support structure - Constructed of either 18 ga galvanized steel or 0.064 in. aluminum - Straight Sided without a cant - 2 in. mounting flange - 3 lb density insulation - Height - Available from 12 in. to 42 in. as specified in 0.5 in. increments. Notes: - The maximum roof opening dimension should not be greater than the "Actual" top outside dimension minus 2 in.. - The minimum roof opening dimension should be at least 2.5 in. more than the damper dimension or recommended duct size. - The Roof Opening Dimension may or may not be the same as the Structural Opening Dimension. - Damper Tray is optional and must be specified. Tray size is same as damper size. - Security bars are optional and must be specified. Frames and gridwork are all 12 ga steel. Gridwork is welded to the frame and the frame is welded to the curb.

General

Tag	Qty	Model	Sizing Method	Undersizing (in.)	Weight (lb)
	1	GPI-22	Nominal	1.5	19

Dimensions

Curb Height (in.)	Nominal Outside Width (in.)	Nominal Outside Length (in.)	Actual Outside Width (in.)	Actual Outside Length (in.)	Flange Width (in.)	Flange Length (in.)
12	22	22	20.5	20.5	24.5	24.5

Accessories

Material	Security Bars	Liner	Insulation (in.)
Galvanized	No	No	1

BID FORM**LIFT STATION 4003 UPGRADE - BGJWSC PROJECT NO. 703 - SPLOST 2016****SUBMITTED BY:** _____

Item	Description	QTY	Unit	Unit Price	Total
Base Bid					
1	Mobilization and Demobilization (maximum of 5% Total Bid)	1	LS	\$	\$
2	Temporary Bypass Pumping	1	LS	\$	\$
3	Traffic Control	1	LS	\$	\$
4	Demolition of Existing Structures, Pumps, Piping and Other Components	1	LS	\$	\$
5	Fill Existing Wetwell with Compacted Sand	220	CY	\$	\$
6	Pumps and Piping including Fittings, Valves, Expansion Joints, Hangers, Air Release Valve and Concrete Pad	1	LS	\$	\$
7	Building Modifications including Walls, Windows, Doors, Roof, Air Conditioning, Concrete Stairs, Sump Pumps, Fill Floor Openings, Grating, Duct and Hoist	1	LS	\$	\$
8	Interior Painting of Building	1	LS	\$	\$
9	Electrical and SCADA Work	1	LS	\$	\$
10	6' Dia. Precast Manhole No. 1 with Cementitious Coating	1	EA	\$	\$
11	30" PVC SDR 26 Sewer	55	LF	\$	\$
12	30" Sewer Connection to Existing Manhole and Abandon Existing 24" Sewer with Flowable Fill	1	LS	\$	\$
13	12' x 14' Concrete Wetwell including Cementitious Coating, Hatches and Appurtenances	1	LS	\$	\$
14	12' x 16' Concrete Pad for Future Bypass Pump	1	LS	\$	\$
15	Concrete Pad for Odor Control System	1	LS	\$	\$
16	Odor Control System Equipment and Appurtenances - BIOREM	1	LS	\$	\$
17	Erosion Control & Grassing	1	LS	\$	\$
18	Misc. Site Work and Piping not otherwise listed but necessary for a Complete Job	1	LS	\$	\$
19	Cash Allowance - Asbestos/HazMat Testing and Abatement	15,000	EA	\$ 1.00*	\$ 15,000.00*
20	Cash Allowance - Georgia Power Charges for Power Relocation	3,500	EA	\$ 1.00*	\$ 3,500.00*
Total Base Bid				\$	
Alternate Bid Items					
A1	Odor Control System Equipment and Appurtenances - BIOAIR (Replaces Base Bid Item 16)	1	LS	\$	\$

***Fixed Unit Price and Total Price determined prior to Bid. Cannot be adjusted by the Bidder. The JWSC will pay the actual costs of Cash Allowance items exclusive of profit, overhead or administrative cost. If actual cost exceeds the Cash Allowance, the JWSC Executive Director must approve a Change Order for the additional cost.**

TABULATION OF SUBCONTRACTORS USED IN BID FORM

The following tabulation lists the various Contractors whose prices were used in preparation of the Bid and who will be used to accomplish the respective items of work:

<u>DESCRIPTION OF WORK</u>	<u>NAME AND ADDRESS OF SUBCONTRACTORS INCLUDED</u>
_____	_____
_____	_____
_____	_____
_____	_____
_____	_____
_____	_____

SCHEDULE OF EQUIPMENT/ MAJOR MATERIALS INCLUDED IN BID FORM

Submitted in the following list are the names of manufacturers of Equipment Items and materials upon which the BID FORM is based. The manufacturers listed are selected by the Bidder from those names stated in the Specifications or from the names of manufacturers furnishing equipment or materials equal to that required by the Specifications. Equipment and materials included in the Schedule shall conform fully in every respect to the requirements of the respective parts and sections of the Specifications or as pre-approved prior to the Bid Date by the Engineer and Owner. Equipment which is a “standard product” with the manufacturer shall be modified, redesigned from the standard mode, if necessary, or shall be furnished with special features or accessories or of special materials or with special finishes as may be necessary to conform to the requirements of the Specifications.

<u>DESCRIPTION OF EQUIPMENT/ MATERIALS INCLUDED IN BID</u>	<u>MANUFACTURER</u>
<u>Pumps</u>	<u>Gorman Rupp</u>
<u>Odor Control System</u>	<u>Biorem (Base)/Bioair (Alternate)</u>
<u>Sump Pumps</u>	_____
<u>Variable Frequency Drives</u>	_____
<u>Air Conditioner Units</u>	_____
_____	_____
_____	_____
_____	_____
_____	_____
_____	_____
_____	_____
_____	_____

The Bidder submits the following statement of Bidder's qualifications.

NAME OF BIDDER _____

STREET ADDRESS _____

WHEN ORGANIZED _____

WHERE INCORPORATED _____

LICENSED TO DO BUSINESS IN THE STATE OF _____

The foregoing statement of qualifications is submitted under oath:

Respectfully submitted,

Name: _____

Street Address: _____

By: _____

Title: _____

Email: _____

The legal name of the Bidder is:

(Attach satisfactory evidence of the authority of the officer, or officers, signing on behalf of a corporation.)