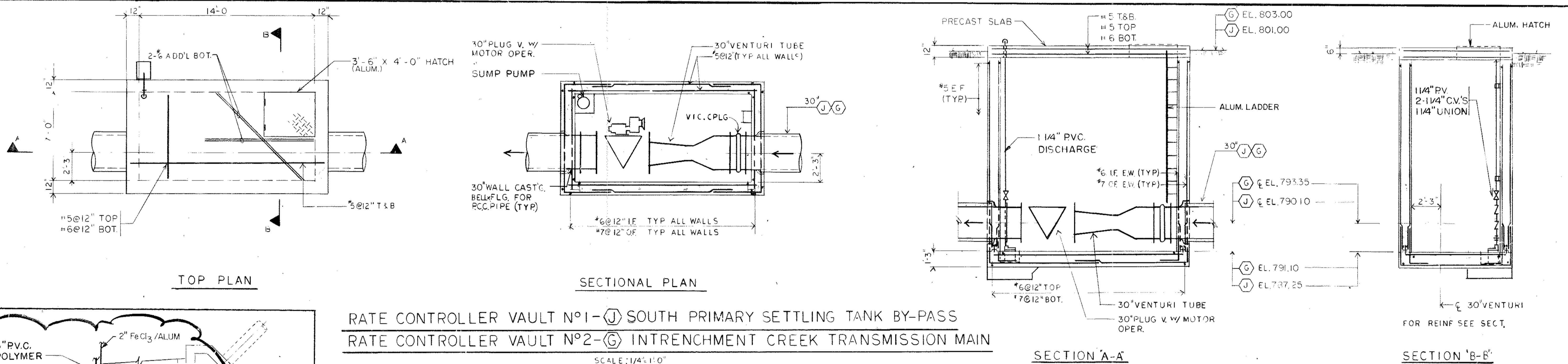


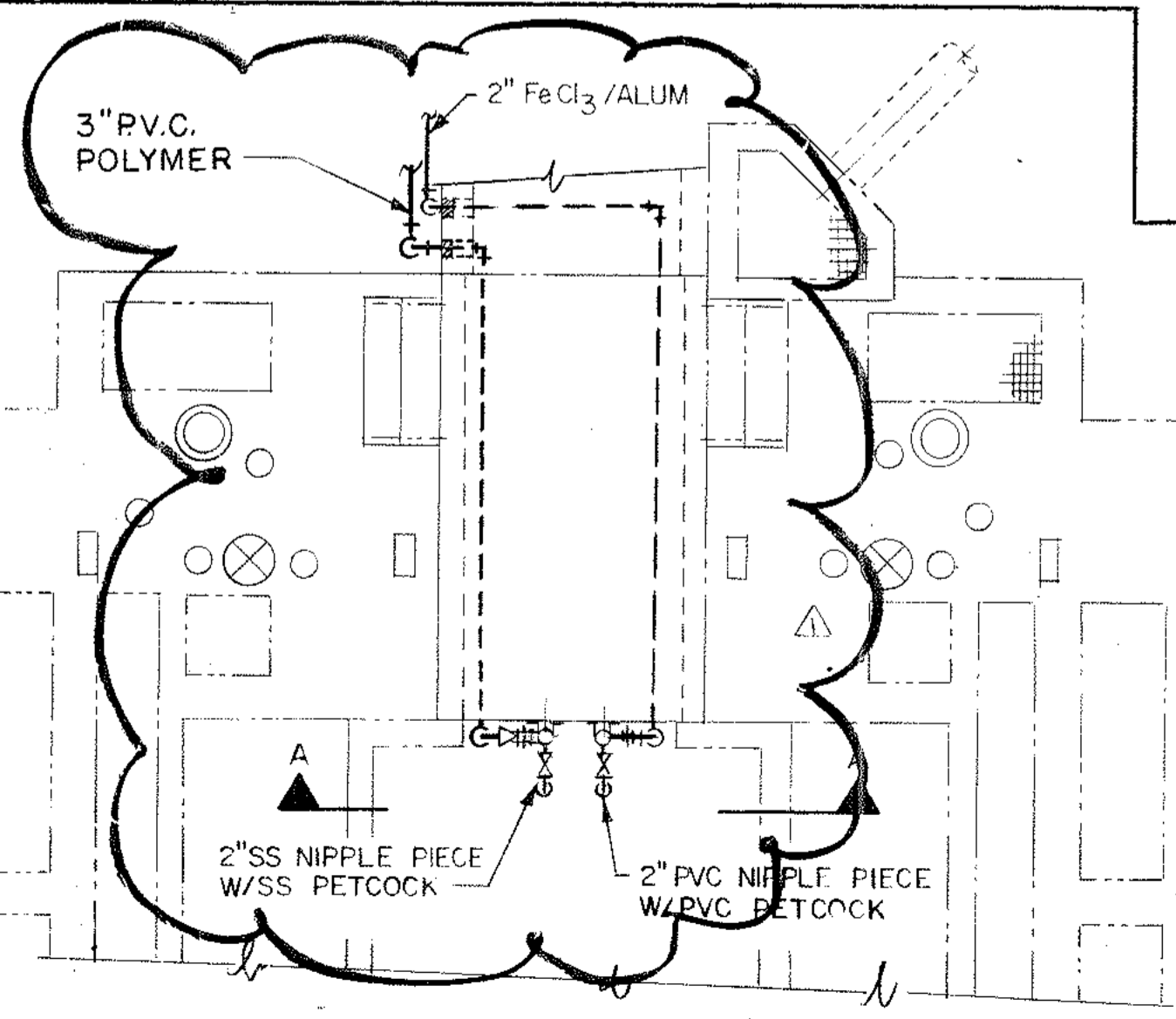
SLUDGE VALVE BOX

SCALE: 1/4" = 1'-0"

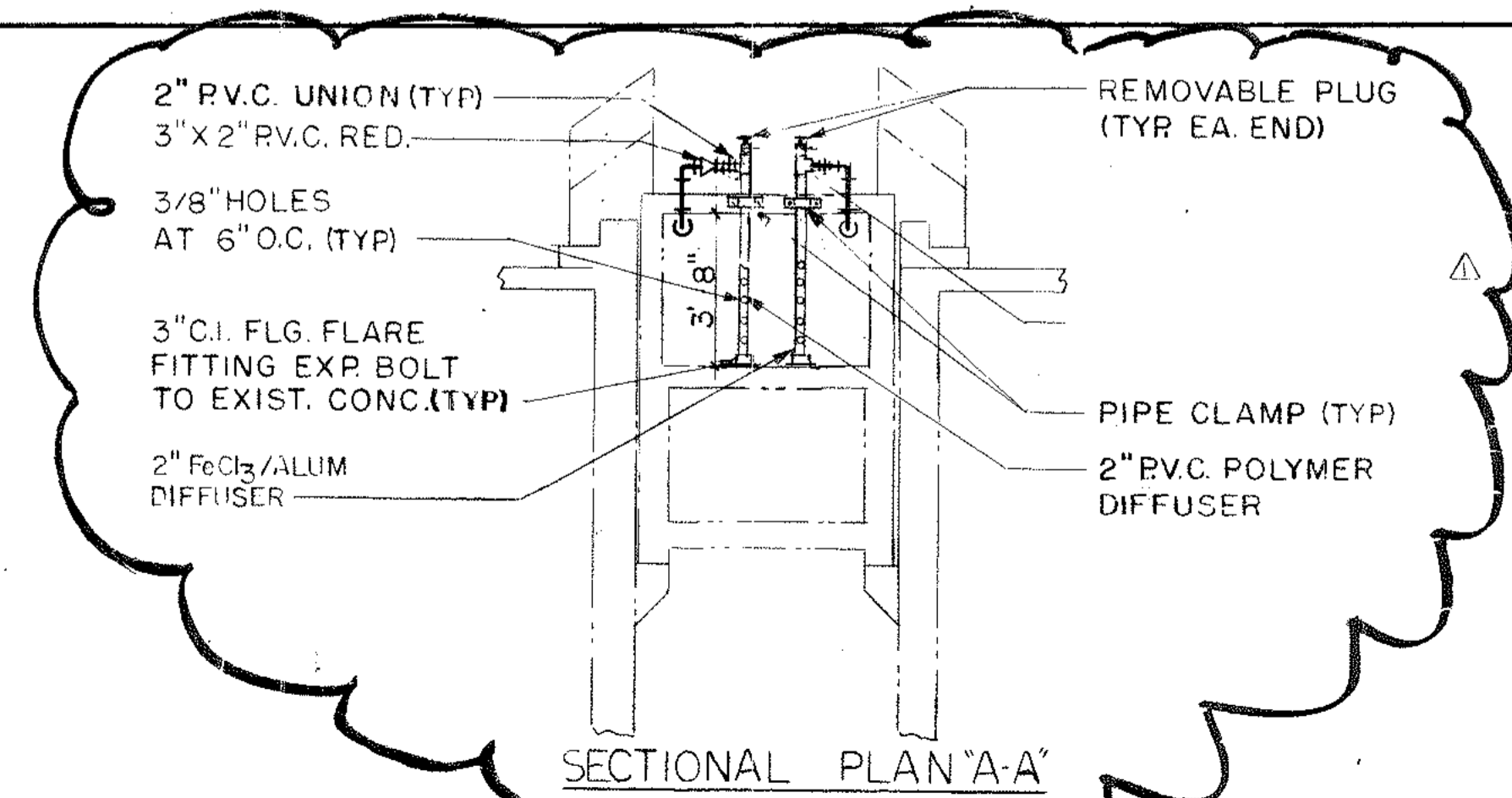


RATE CONTROLLER VAULT N°1 - (J) SOUTH PRIMARY SETTLING TANK BY-PASS  
 RATE CONTROLLER VAULT N°2 - (G) INTRENCHMENT CREEK TRANSMISSION MAIN

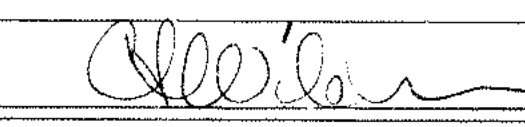
SCALE: 1/4" = 1'-0"



NO. 2 PRIMARY SETTLING TANKS INFLUENT CHANNEL



SECTIONAL PLAN 'A-A'

NO.	DATE	BY	DESCRIPTION	PLACES
REVISIONS				
<b>ROSS, SAARINEN, BOLTON &amp; WILDER, INC.</b> <b>J.W. ROBINSON ASSOCIATES, INC.</b> <b>POLYTECH, INC.</b> A JOINT VENTURE ATLANTA, GEORGIA				
<b>SOUTH RIVER WASTEWATER TREATMENT PLANT</b> <b>DESIGN TASK NO. 5</b>				
<b>YARD STRUCTURES III</b>				
<b>THREE RIVERS WATER QUALITY MANAGEMENT PLANS</b>				
DSGN	HAG	APPROVED	 APPROVED <i>George D. P...</i>	
DRWN	WFD	DATE		
CHKD	GJ	SCALE AS SHOWN		
LAND LOT 5 & 28		DISTRICT 14		FULL OR COUNTY
DRAWING NO. 5-17-18				SHEET NO. 18

