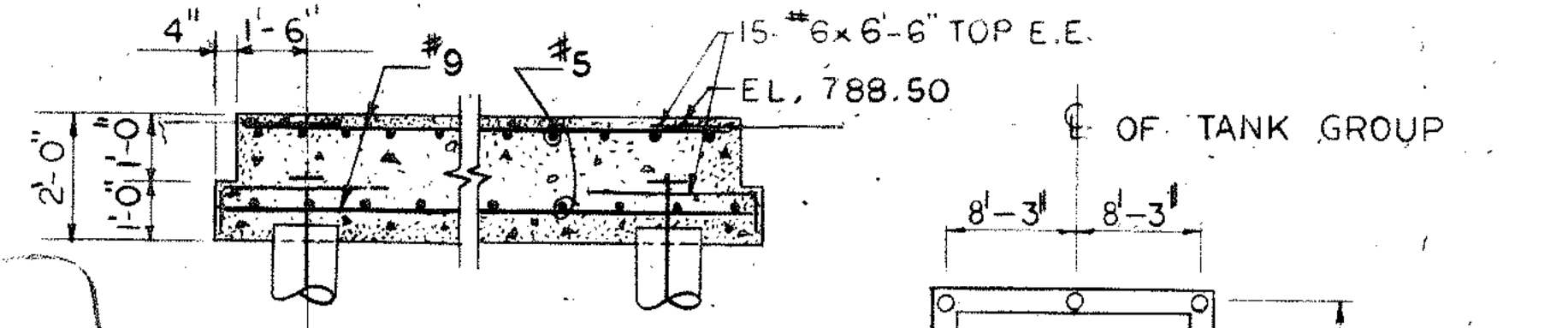
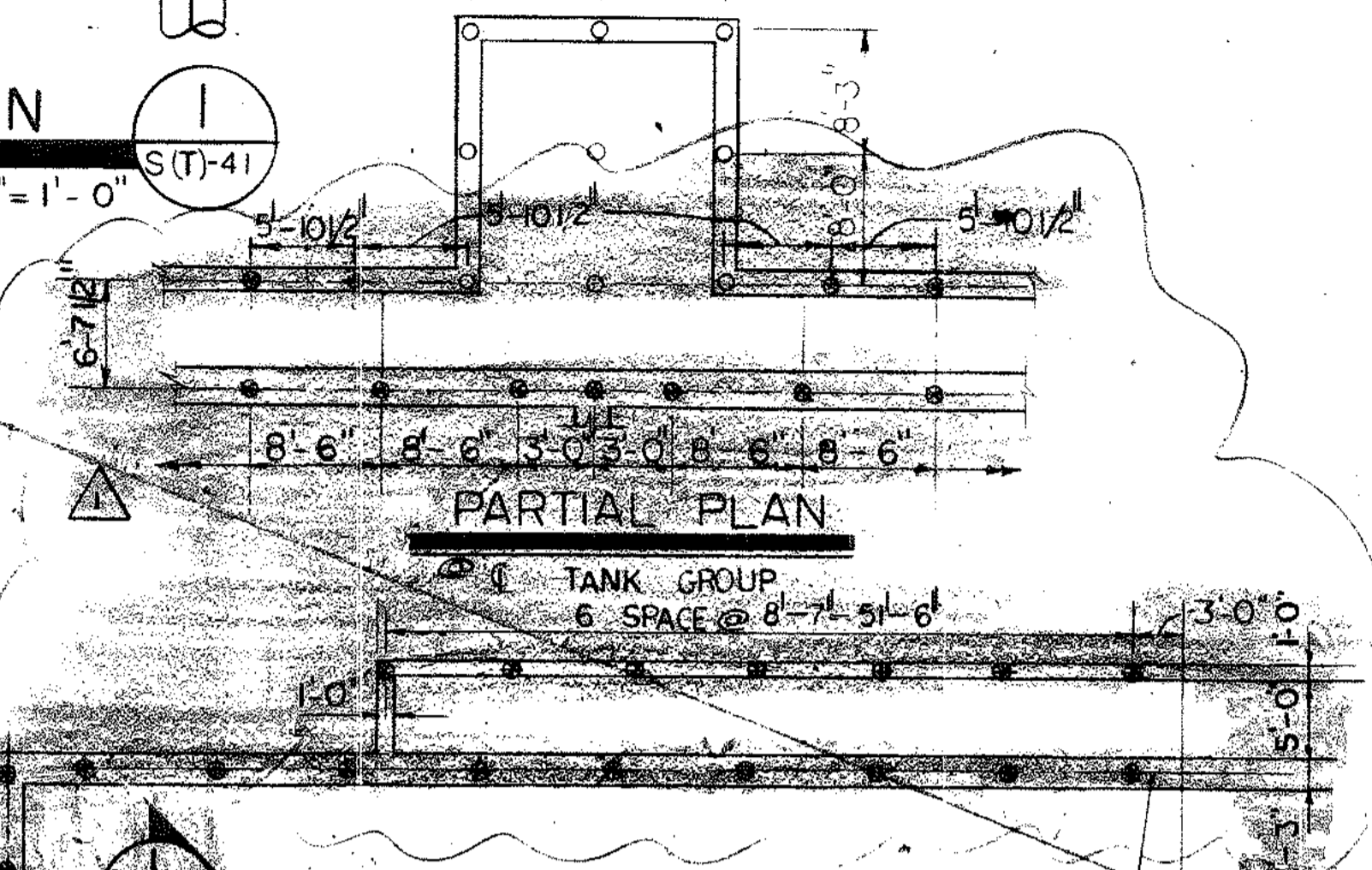


PILE PLAN
SCALE: 3/32" = 1'-0"



SECTION 1
SCALE: 3/8" = 1'-0"



PILE PLAN TANK NO. 1
SCALE: 3/32" = 1'-0"

- NOTES:
1. FOR GENERAL NOTES AND DETAILS SEE DWG. 5-S(T)-21.
 2. FOR PILE CUT OFF SEE SECTIONS AND DETAILS.
 3. PILE CAPACITIES ARE 50 TONS COMPRESSION AND UPLIFT.
 4. FOR BIDDING PURPOSES ONLY ASSUME THE FOLLOWING NUMBER AND TYPES OF PILES

Refer:
WN 14, pressure grout certain piles, A, B, #4
WN 20, Additional rebar and pressure grout in AB #3.

A1	588
A2	1474
B1	282
B3	130 30 16
B5	15 16
TOTAL	NO = 2602

NO.	DATE	BY	DESCRIPTION	PLACES
1	10/12/79	JCD	ADDED NOTE 5. REVISED PILES	

ROSS, SAARINEN, BOLTON & WILDER, INC.
J.W. ROBINSON ASSOCIATES, INC.
POLYTECH, INC.
A JOINT VENTURE ATLANTA, GEORGIA
SOUTH RIVER WASTEWATER TREATMENT PLANT
DESIGN TASK NO. 5

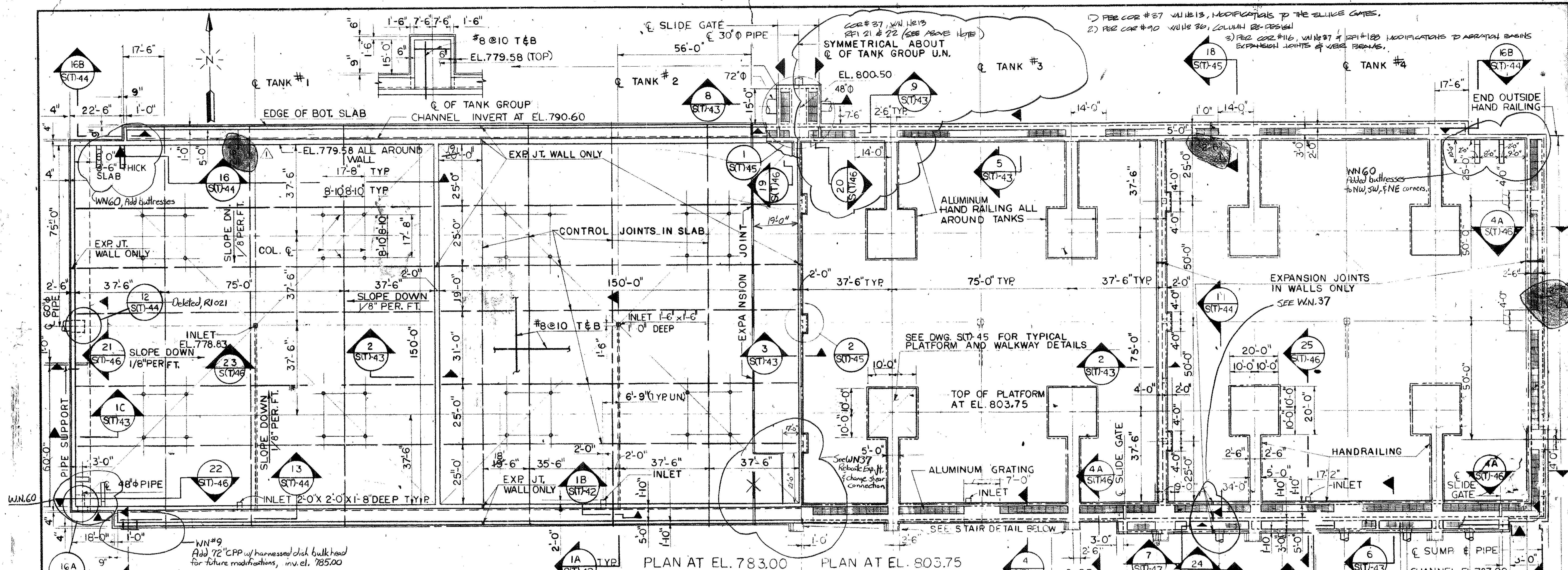


CITY OF ATLANTA
DEPARTMENT OF ENVIRONMENT & STREETS
BUREAU OF POLLUTION CONTROL

AERATION BASINS
PILE PLAN

DSGN	JCD	APPROVED	<i>William Houston</i>
DRWN	ATH	DATE	NOV. 1979
CHKD	JCD	SCALE	AS SHOWN

LAND LOT	6 & 28	DISTRICT	14	FULTON	COUNTY	DEKALB
APPROVED	<i>George D. Barnes</i>			DATE	5-22-41	
DRAWING NO.	5-22-41					114



AERATION TANK PLAN

SCALE: 1"=20'-0"

NOTE: BOTTOM OF SLAB AT EL. 776.83 UNLESS NOTED. FOR DOWELS AND WATERSTOP SEE DWGS. S(T)-43 & 46. CONTROL AND EXPANSION JOINTS WILL CONTINUE UP WALLS UNLESS NOTED.

- NOTES:
1. EACH TANK IS SYMMETRICAL ABOUT ITS CENTER LINE EXCEPT AS NOTED AND EACH TANK IS SIMILAR TO THE OTHERS EXCEPT AS NOTED.
 2. HAND RAIL IS LOCATED AS SHOWN IN PLAN AND ON SECTIONS.
 3. ALL HANDRAILS ARE ALUMINUM FASTENED IN PLACE WITH STAINLESS STEEL BOLTS.
 4. ALUMINUM GRATING TO HOLD 150 PSF. ALUMINUM INSERTS TO HAVE BITUMASTIC COATING.
 5. FOR GRATING OPENING AT SLIDE GATES SEE SLIDE GATE DETAIL ON DRAWING S(T)-46
 6. ALL BARS INTERRUPTED BY INSERTS TO BE SPLICED BY BARS OF THE SAME SIZE.

STAIR DETAILS

SCALE: 1/4"=1'-0"

SECTION IB

SCALE: 1/4"=1'-0"

SECTION IA

SCALE: 3/16"=1'-0"

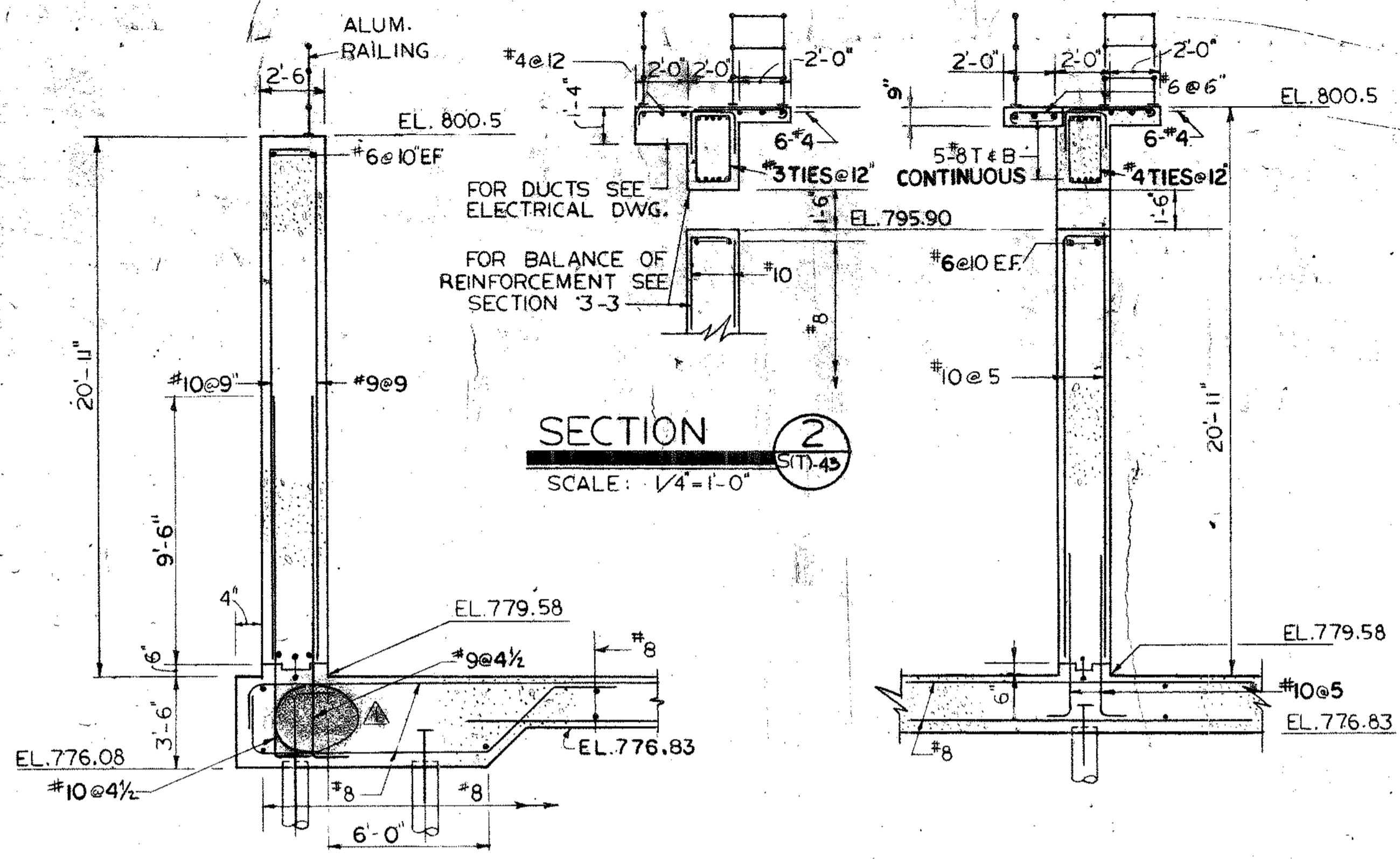
ROSS, SAARINEN, BULLOCK & WILDER, INC.
 J.W. ROBINSON ASSOC. TES, INC.
 POLYTECH, INC.
 A JOINT VENTURE ATLANTA, GEORGIA
 SOUTH RIVER WASTEWATER TREATMENT PLANT
 DESIGN TASK NO. 3
AERATION BASINS
PLAN AT ELEV. 783.00 & 803.75

CITY OF ATLANTA,
 DEPARTMENT OF ENVIRONMENT & STREETS
 BUREAU OF POLLUTION CONTROL

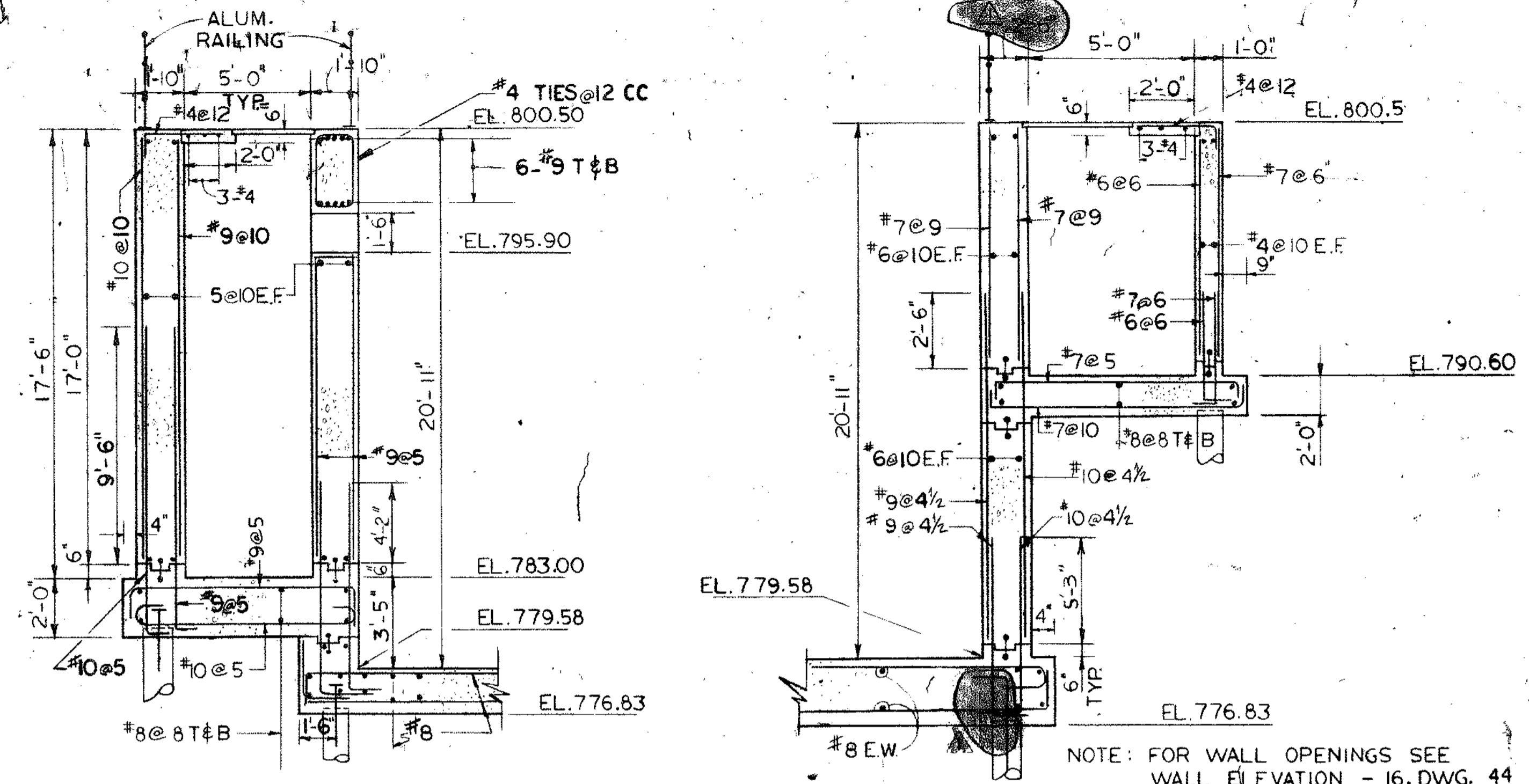
THREE RIV. WASTE W. TREATMENT PLANT

NO. DATE BY DESCRIPTION PLACED

APPROVED: *George D. Benson*
 DATE: NOV 1979
 DRAWING NO: 5-S(T)-42



SECTION 2
SCALE: 1/4"=1'-0"

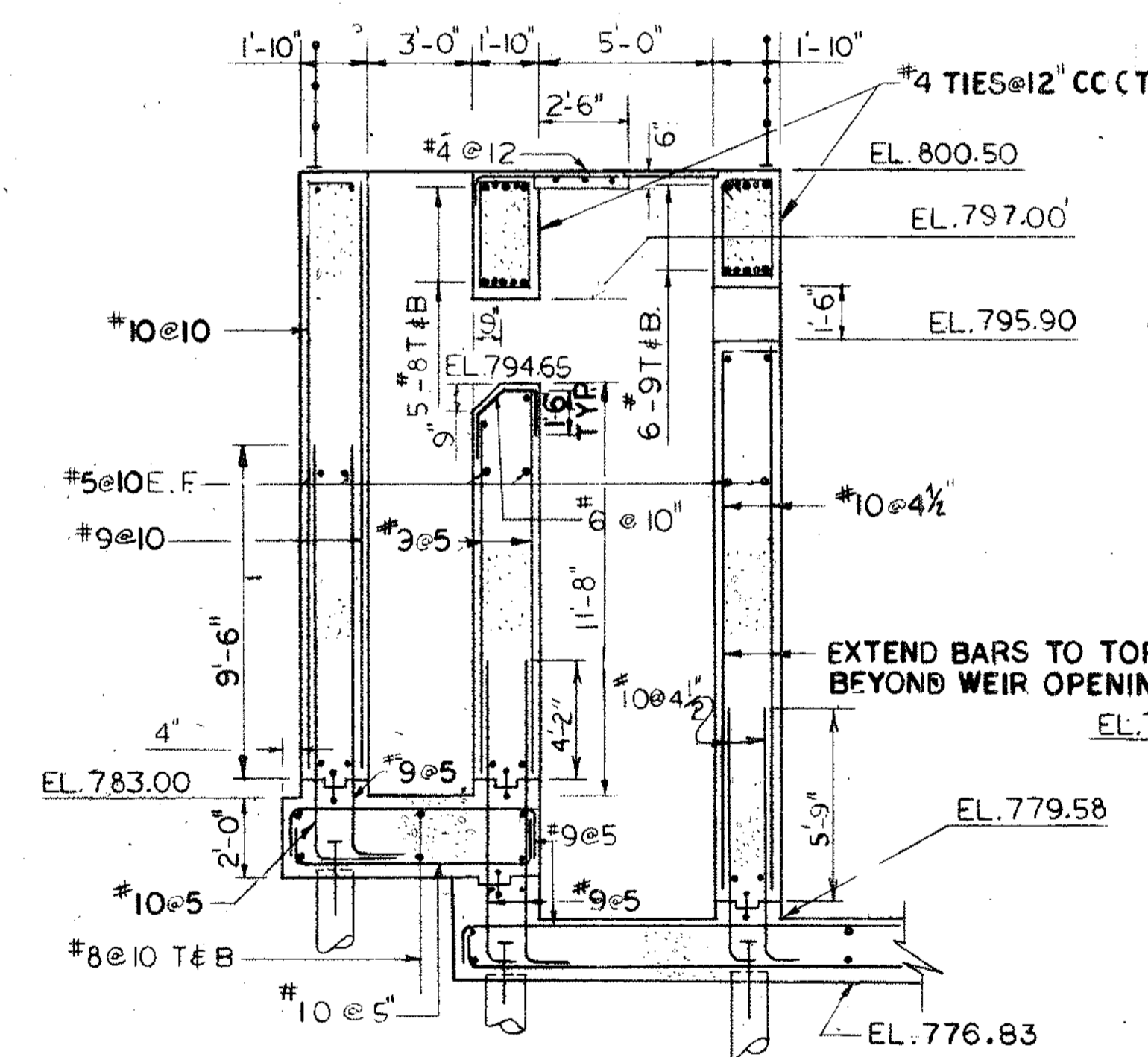


SECTION 3
SCALE: 1/4"=1'-0"

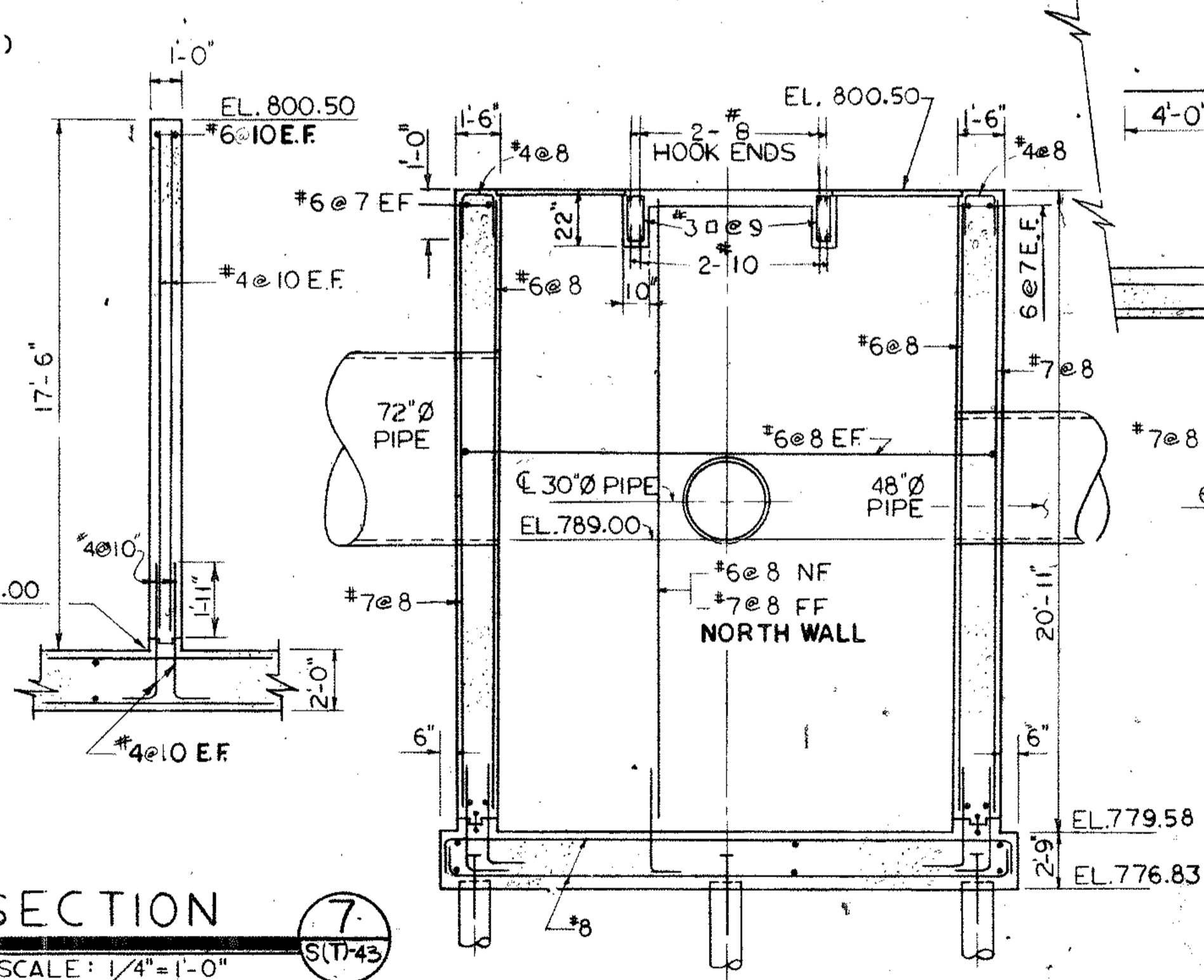
SECTION 4
SCALE: 1/4"=1'-0"

SECTIONS 5
SCALE: 1/4"=1'-0"

SECTION 1C
SCALE: 1/4"=1'-0"

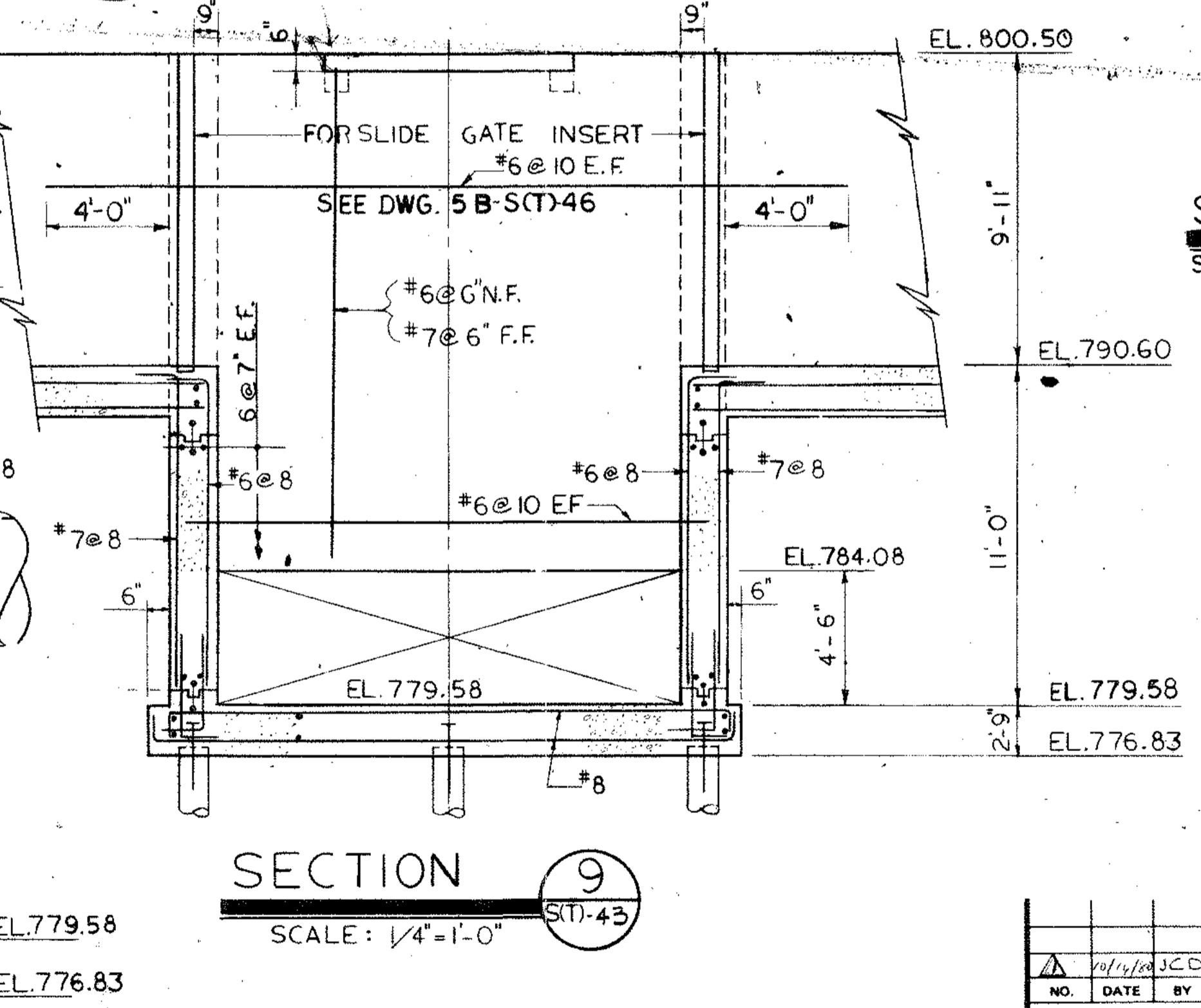


SECTION 6
SCALE: 1/4"=1'-0"



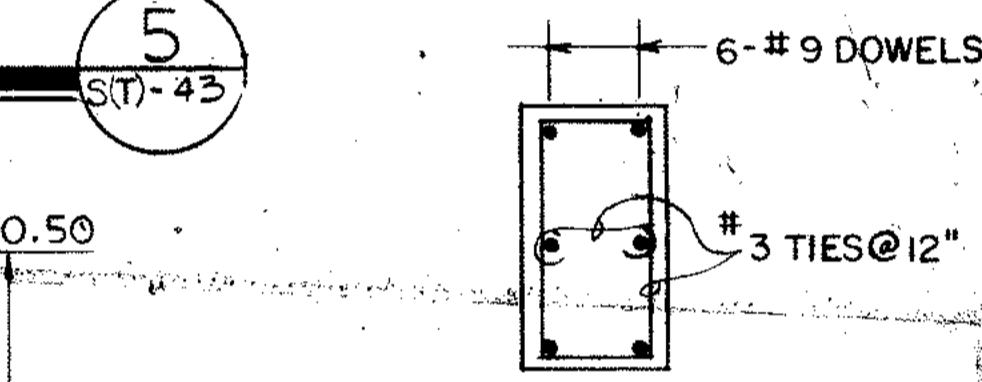
SECTION 7
SCALE: 1/4"=1'-0"

SECTION 8
SCALE: 1/4"=1'-0"



SECTION 9
SCALE: 1/4"=1'-0"

SECTION 9A
SCALE: 3/4"=1'-0"



ROSS, SAARINEN, BOLTON & WILDER, INC.
J.W. ROBINSON ASSOCIATES, INC.
POLYTECH, INC.
A JOINT VENTURE ATLANTA, GEORGIA

SOUTH RIVER WASTEWATER TREATMENT PLANT
DESIGN TASK NO. 5

**AERATION BASINS
WALL SECTIONS**

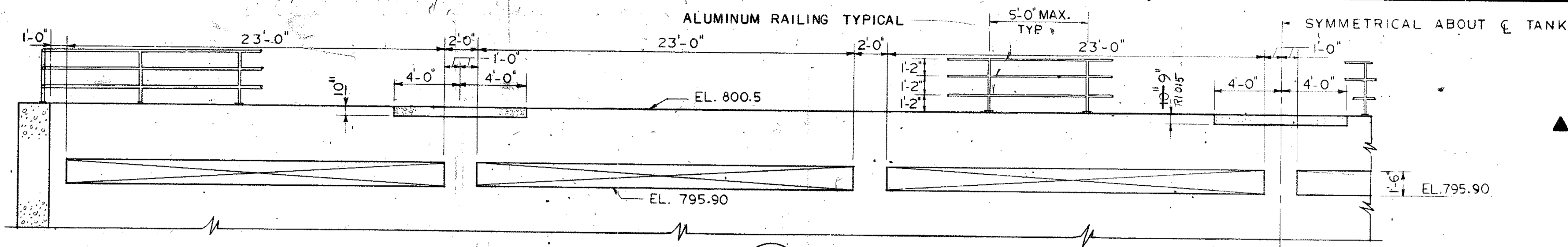
DESIGN: JCD APPROVED: *William H. Norton*
DRAWN: LLL
CHECKED: *LL* SCALE: AS SHOWN DATE: NOV. 1979

REVISIONS			
NO.	DATE	BY	DESCRIPTION
1	10/15/79	JCD	2'6" WALL SECT. 5, REVISED PILES

CITY OF ATLANTA
DEPARTMENT OF ENVIRONMENT & STREETS
BUREAU OF POLLUTION CONTROL

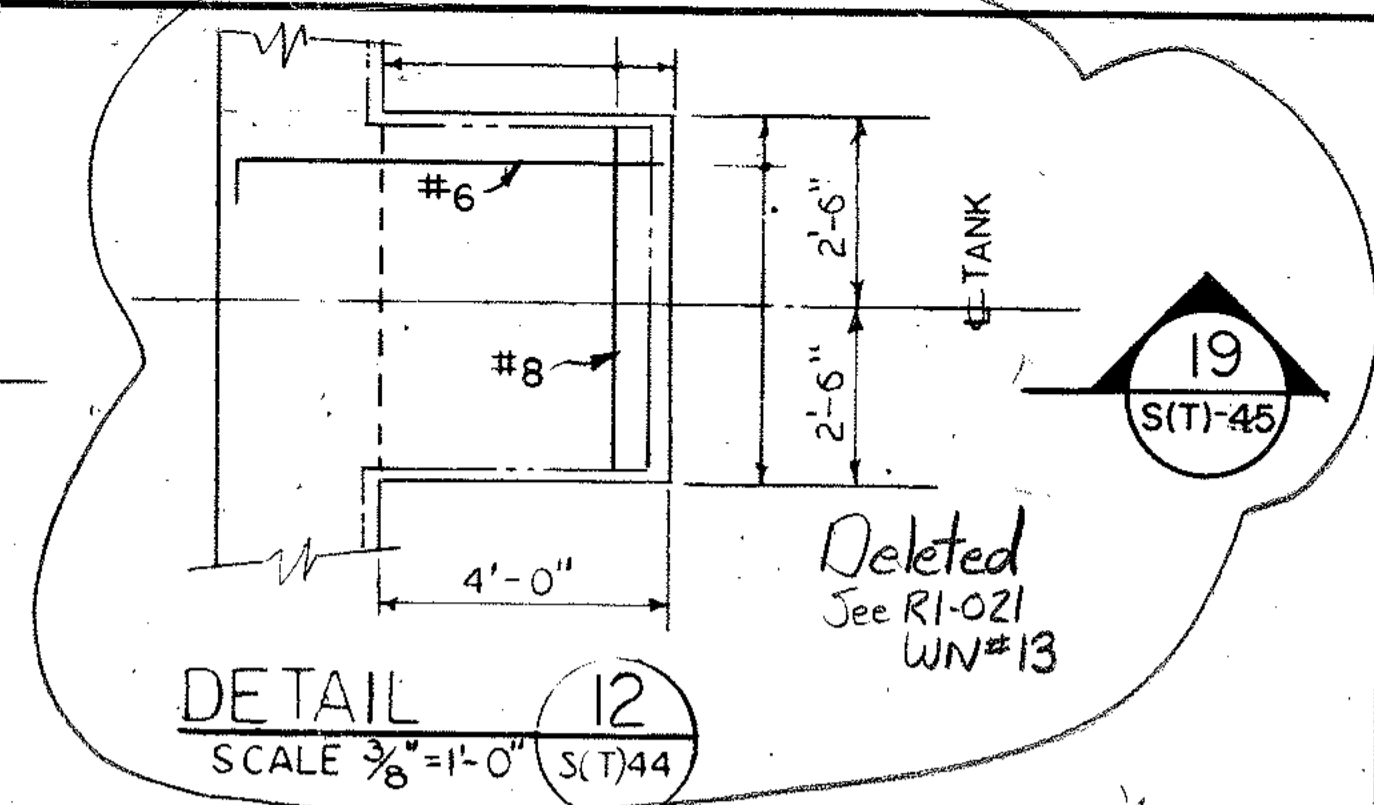
THREE RIVERS WATER QUALITY MANAGEMENT PLANS
LAND LOT 5828 DISTRICT 14 FULTON COUNTY

APPROVED: *George J. Barnes* SHEET NO. 116
DWG. NO. 5-6(T)-43

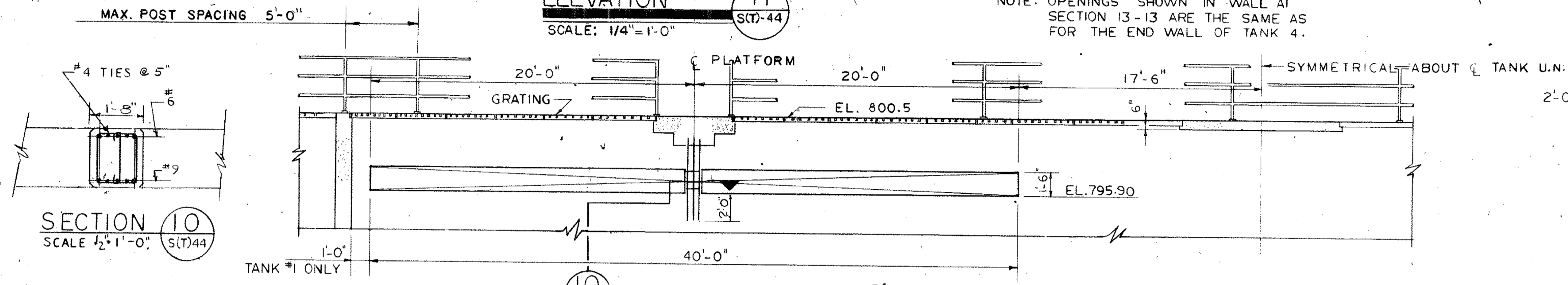


ELEVATION 11
SCALE: 1/4" = 1'-0"
S(T)-44

NOTE: OPENINGS SHOWN IN WALL AT SECTION 13-13 ARE THE SAME AS FOR THE END WALL OF TANK 4.

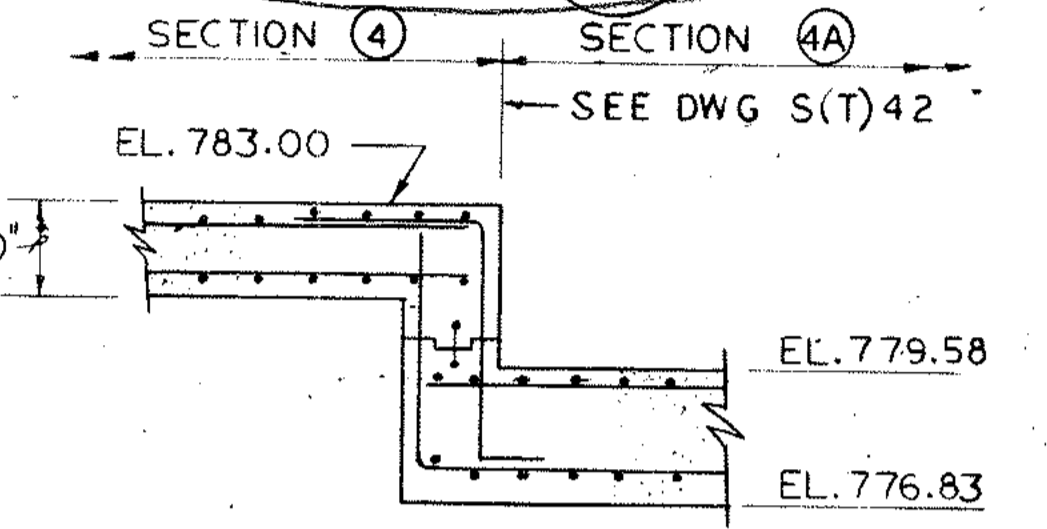


DETAIL 12
SCALE: 3/8" = 1'-0"
S(T)-44

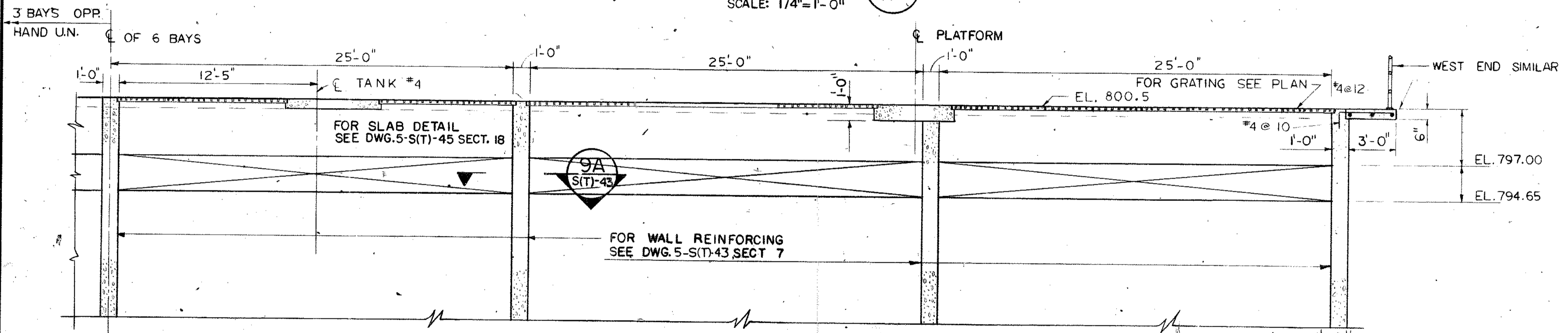


SECTION 10
SCALE: 1/2" = 1'-0"
S(T)-44

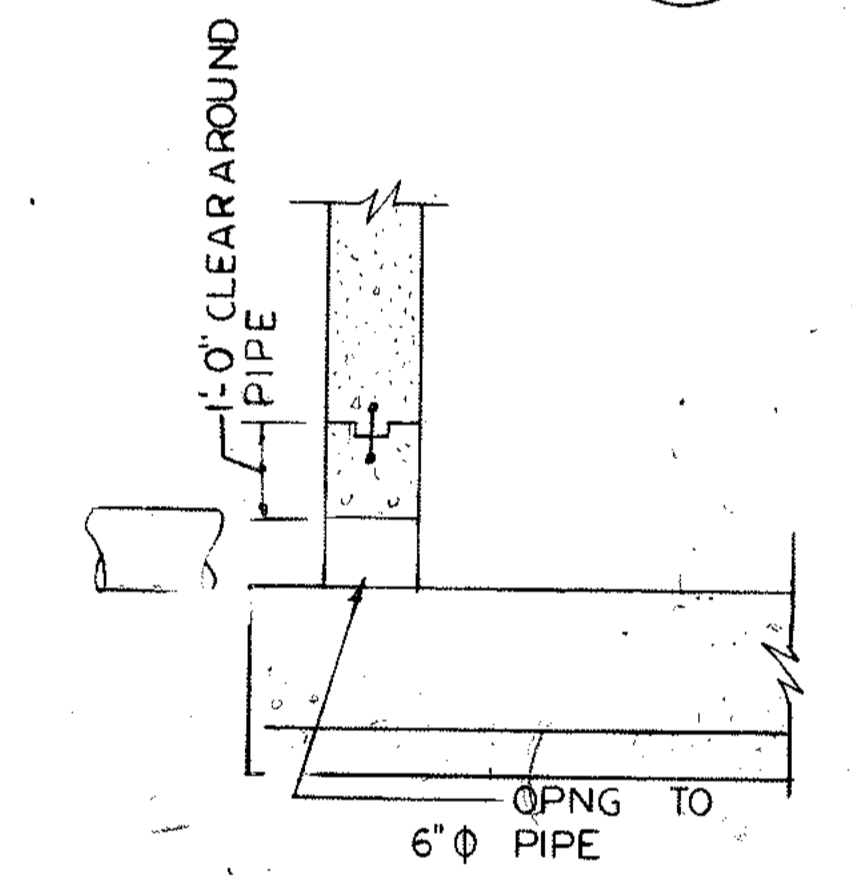
ELEVATION 13
SCALE: 1/4" = 1'-0"
S(T)-44



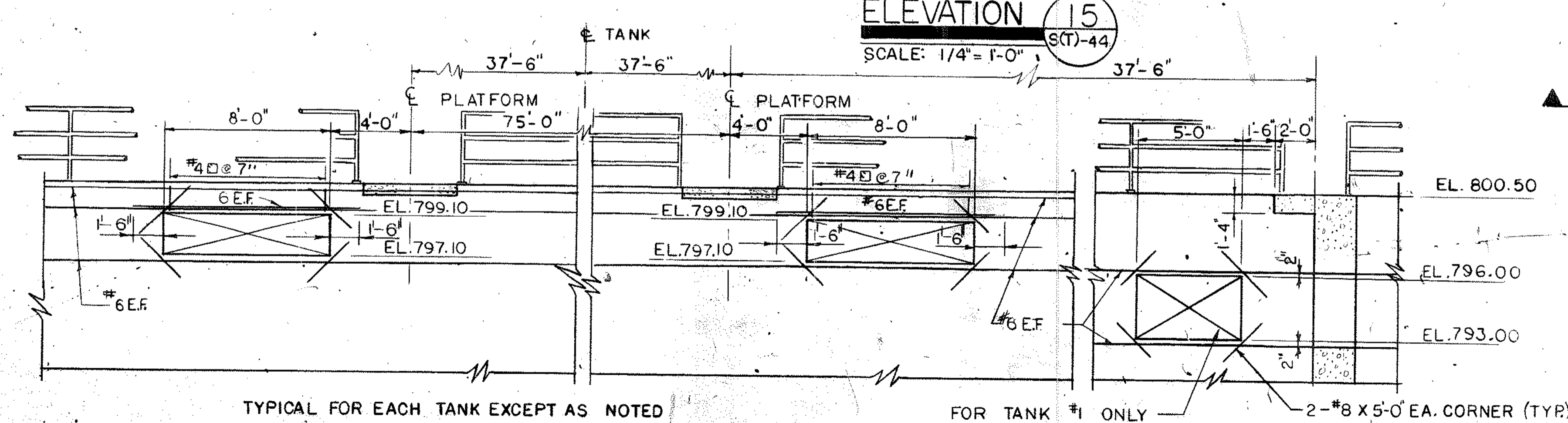
DETAIL 14
SCALE: 1/4" = 1'-0"
S(T)-44



ELEVATION 15
SCALE: 1/4" = 1'-0"
S(T)-44

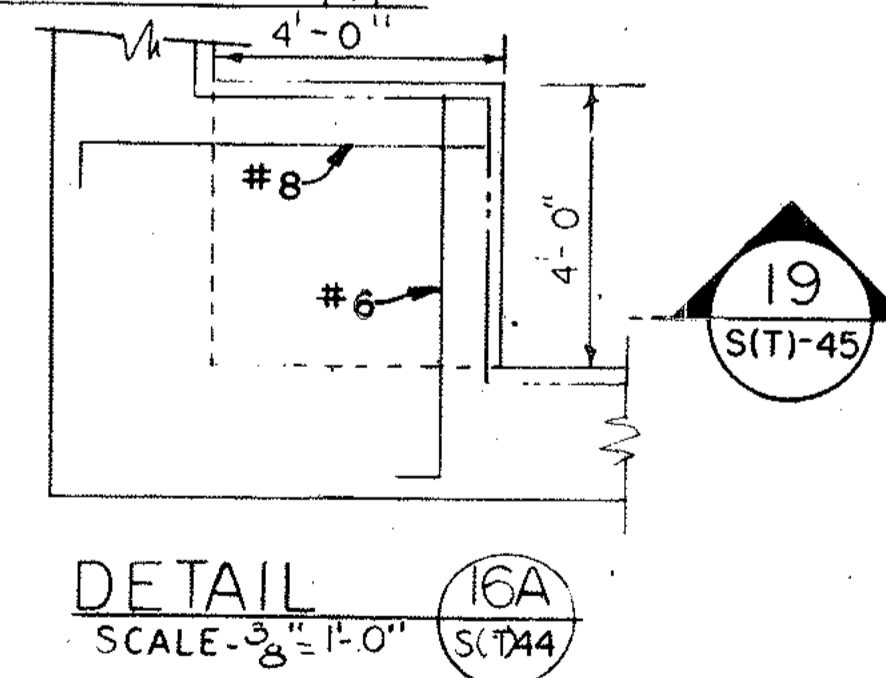


SECTION 16B
SCALE: 1/2" = 1'-0"
S(T)-44



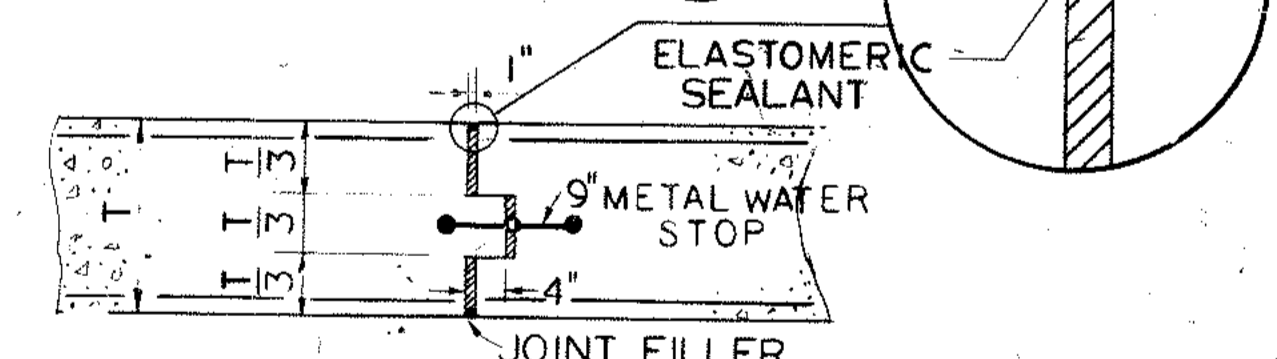
ELEVATION 16
SCALE: 1/4" = 1'-0"
S(T)-44

NOTE: FOR ADDITIONAL REINFORCING SEE DWGS. S(T) 43 & 46



DETAIL 16A
SCALE: 3/8" = 1'-0"
S(T)-44

TYPICAL 1" EXPANSION JOINT
N.T.S.



ROSS, SAARINEN, BOLTON & WILDER, INC.
J.W. ROBINSON ASSOCIATES, INC.
POLYTECH, INC.
A JOINT VENTURE ATLANTA, GEORGIA
SOUTH RIVER WASTEWATER TREATMENT PLANT
DESIGN TASK NO. 5



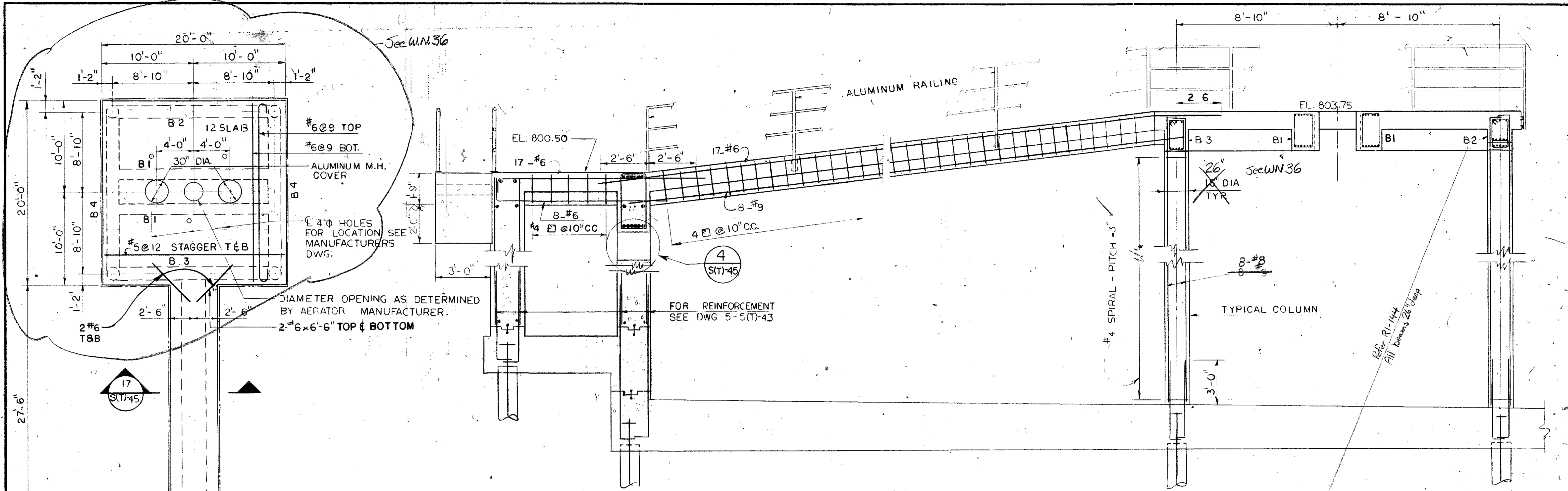
CITY OF ATLANTA
DEPARTMENT OF ENVIRONMENT & STREETS
BUREAU OF POLLUTION CONTROL

AERATION BASINS WALL ELEVATIONS

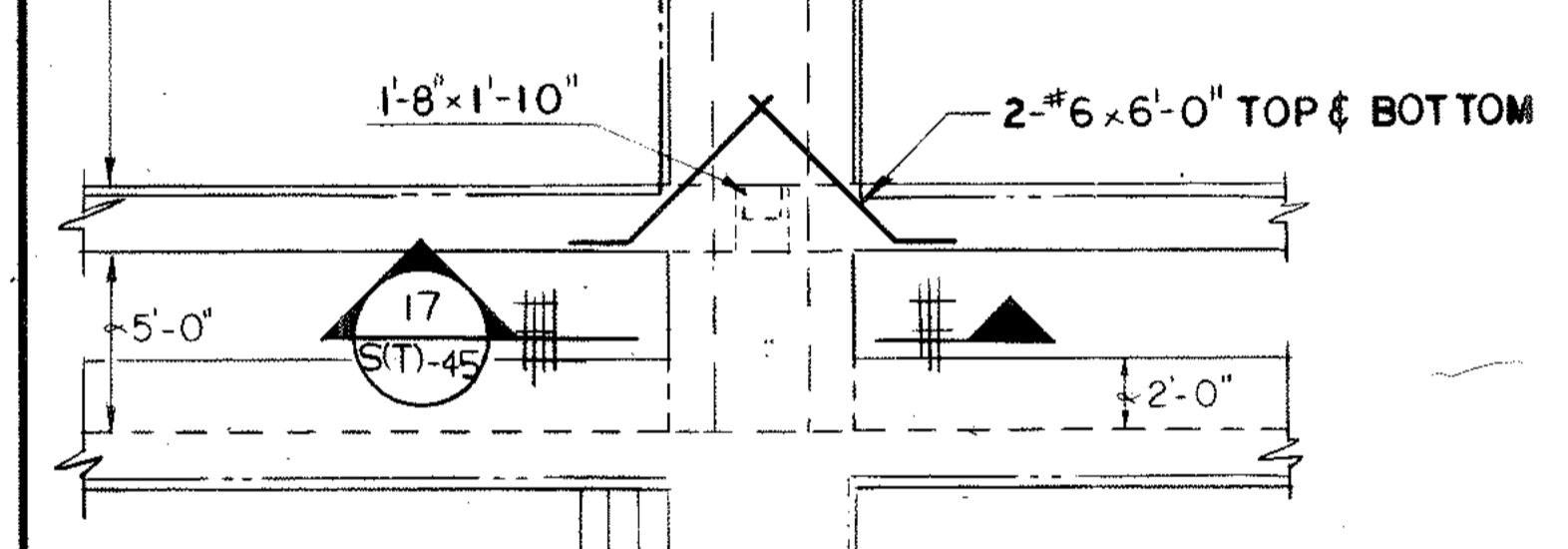
THREE RIVERS WATER QUALITY MANAGEMENT PLANS

DSGN	JCD	APPROVED	<i>William Proctor</i>
DRWN	<i>W. Proctor</i>	SCALE	AS SHOWN
CHKD	<i>W. Proctor</i>	DATE	NOV 1979

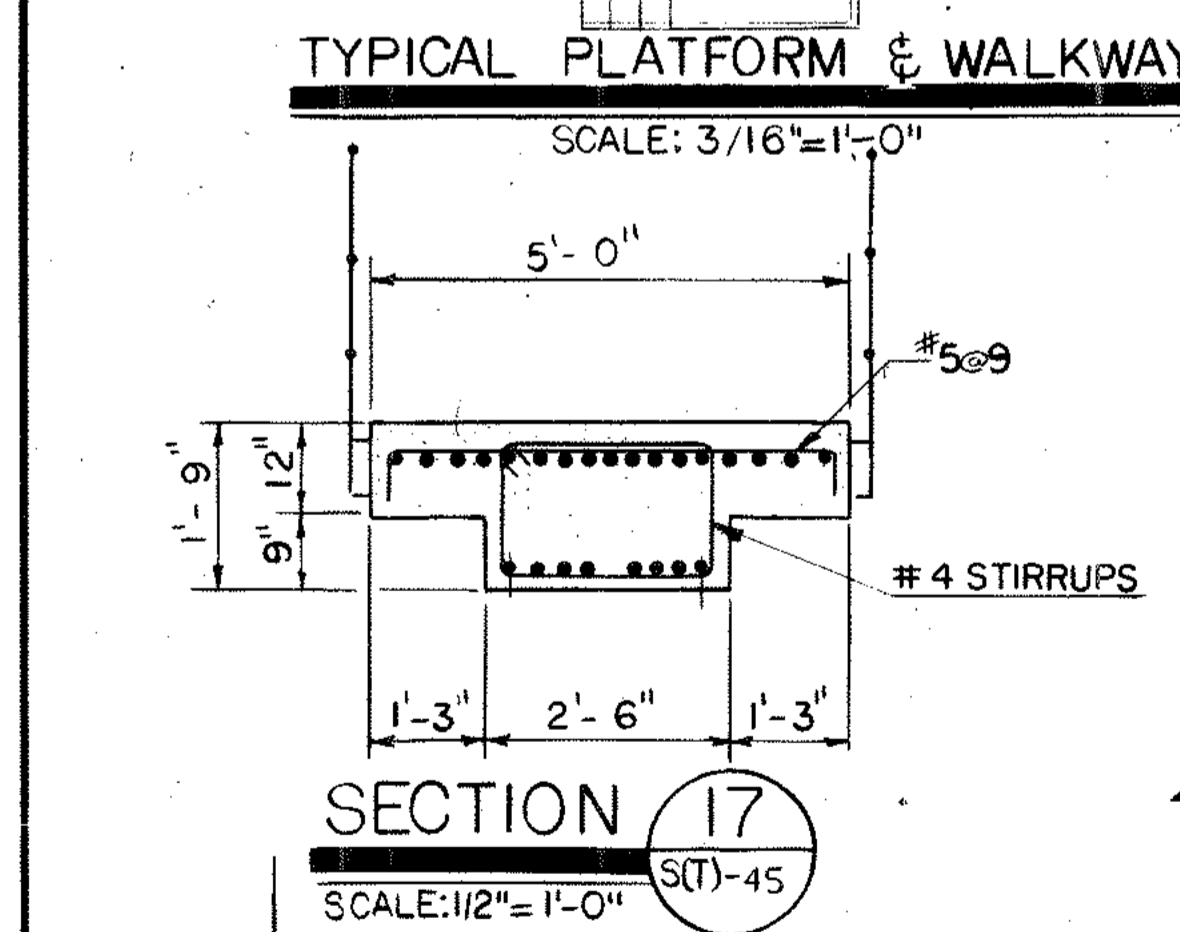
NO.	DATE	BY	DESCRIPTION	PLACES
REVISIONS				
LAND LOT	5 & 28	DISTRICT	14	FULTON
COUNTY	SHEET NO.			
DRAWING NO.				117



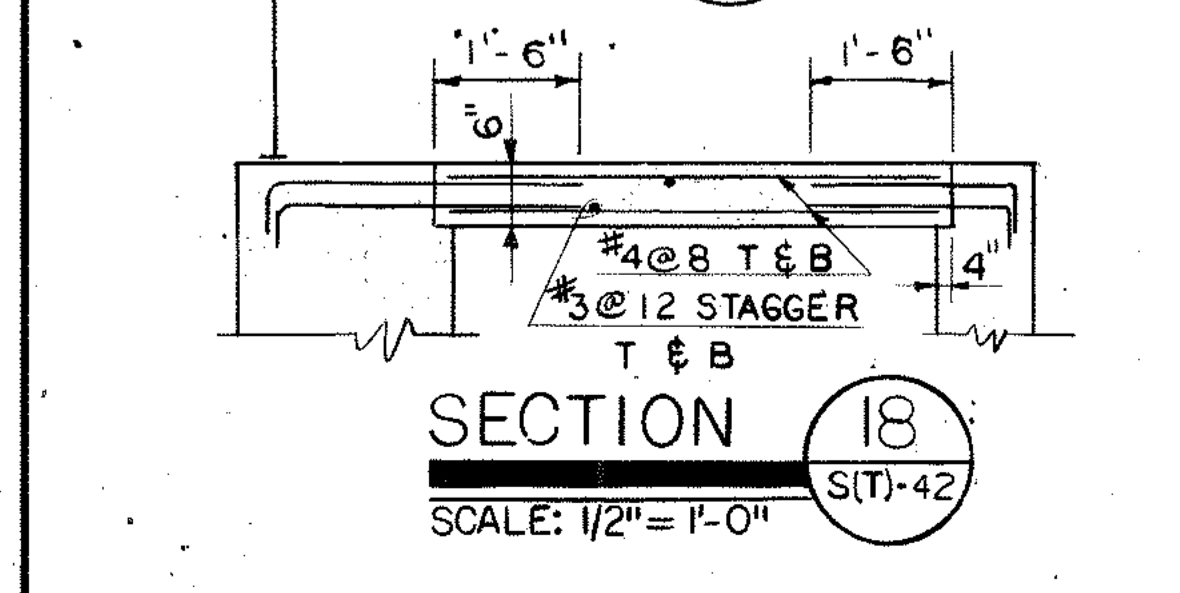
TYPICAL COLUMN & PLATFORM DETAIL
SCALE: 3/8" = 1'-0"



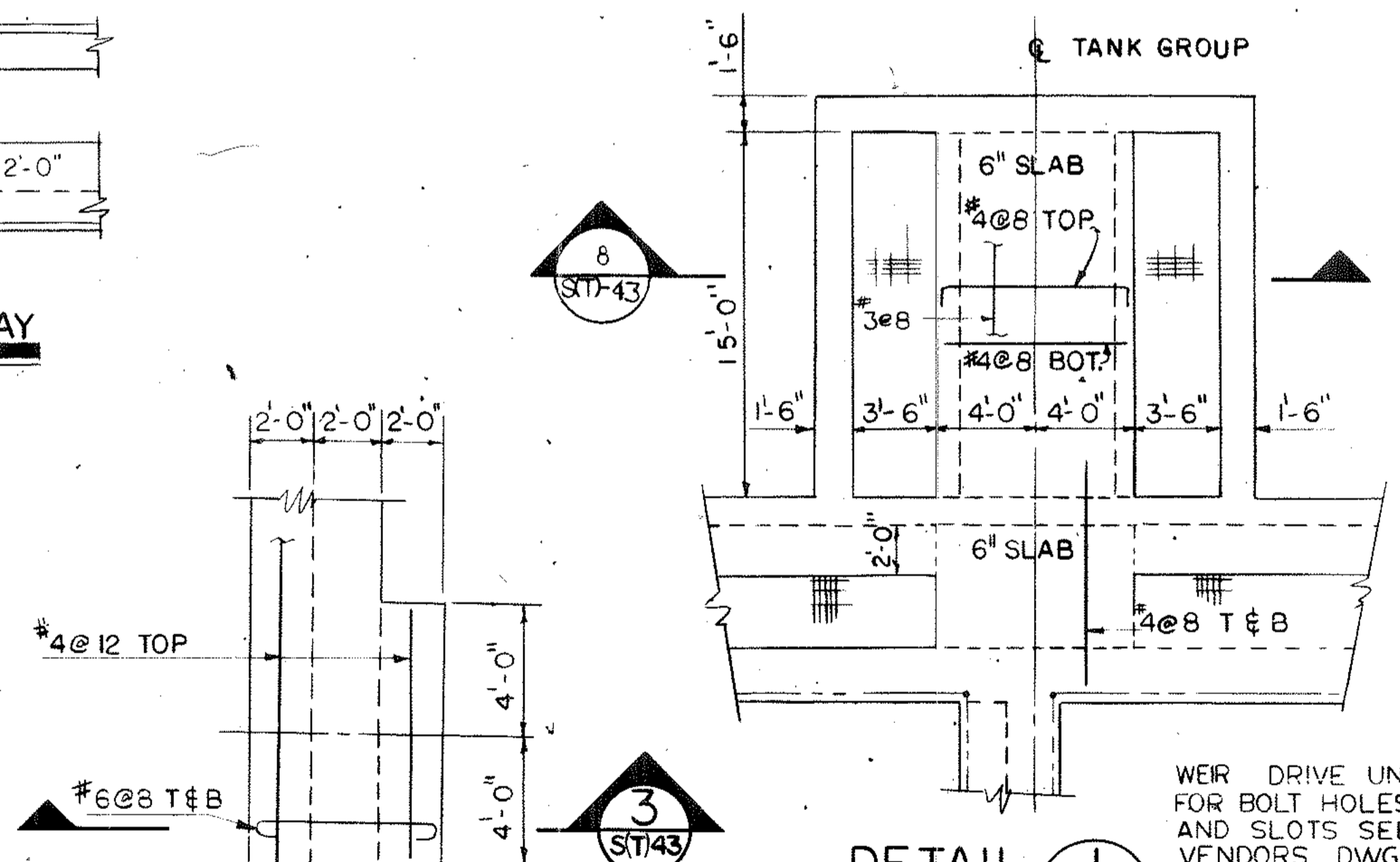
TYPICAL PLATFORM & WALKWAY
SCALE: 3/16" = 1'-0"



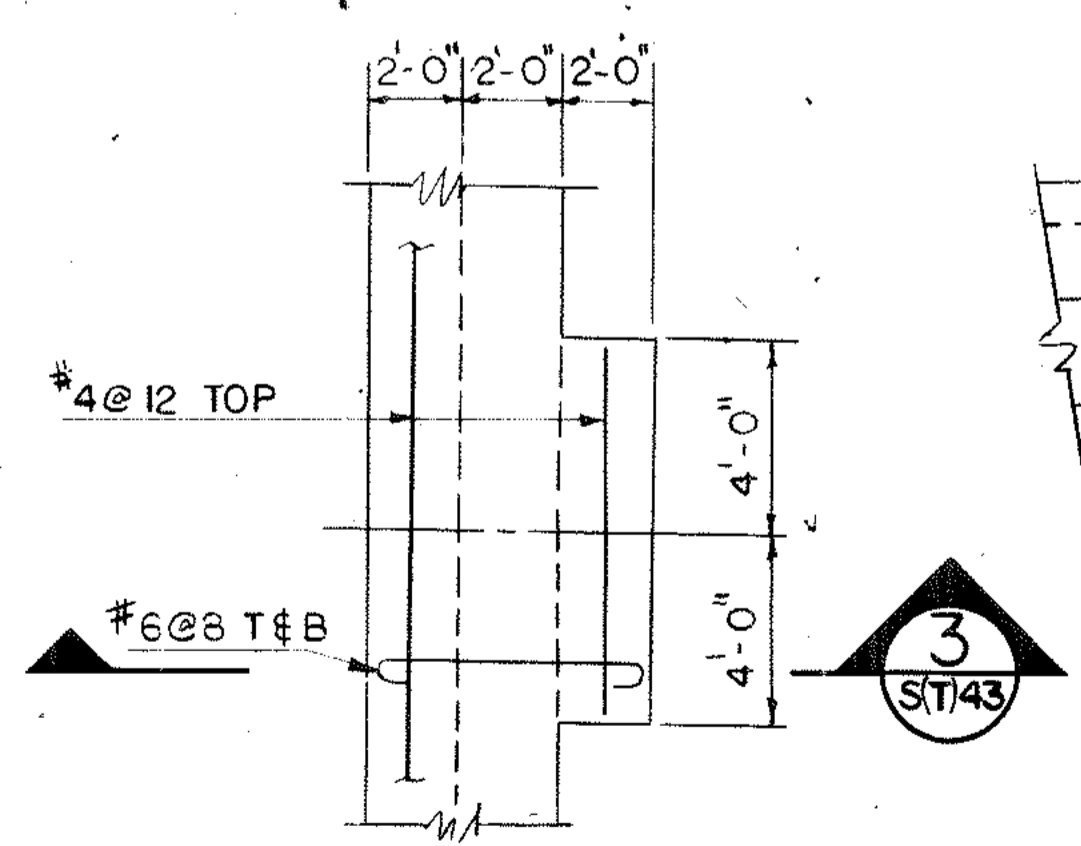
SECTION 17
SCALE: 1/2" = 1'-0"



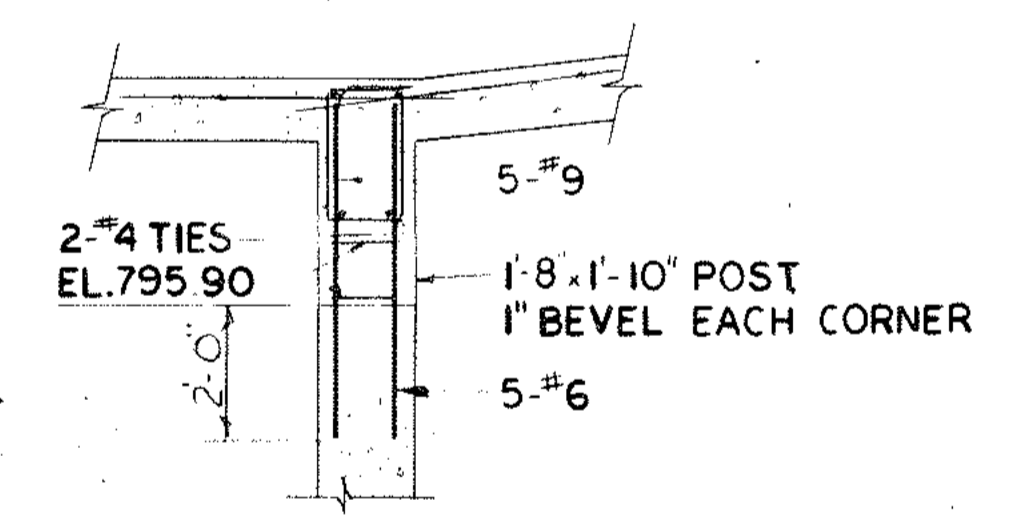
SECTION 18
SCALE: 1/2" = 1'-0"



DETAIL 1
SCALE 3/16" = 1'-0"



DETAIL 2
SCALE: 1/4" = 1'-0"



DETAIL 4
SCALE: 3/8" = 1'-0"

PLATFORM BEAM SCHEDULE						
MARK	SIZE		REINFORCING			REMARKS
	b	h	TOP	BOTTOM	STIRRUP	
B 1	18	26	6-#5	6-#8	#4@6	
B 2	18	26	4-#6	6-#9	#4@6	
B 3	18	26	5-#6	5-#10	#4@9	
B 4	18	26	5-#6	6-#9	#4@6	

NOTES
1. FOR ALUMINUM GRATING AND ALUMINUM HAND RAILINGS, SEE SPEC. AND ARCH DWG A-(T)-28.

ROSS, SAARINEN, BOLTON & WILDER, INC.
J.W. ROBINSON ASSOCIATES, INC.
POLYTECH, INC.
A JOINT VENTURE ATLANTA, GEORGIA

SOUTH RIVER WASTEWATER TREATMENT PLANT
DESIGN TASK NO. 5

**AERATION BASINS
SECTIONS & DETAILS**

APPROVED: *William Danton, Jr.*
DRWN: ATH
CHKD: HJL

SCALE AS SHOWN DATE NOV 1979

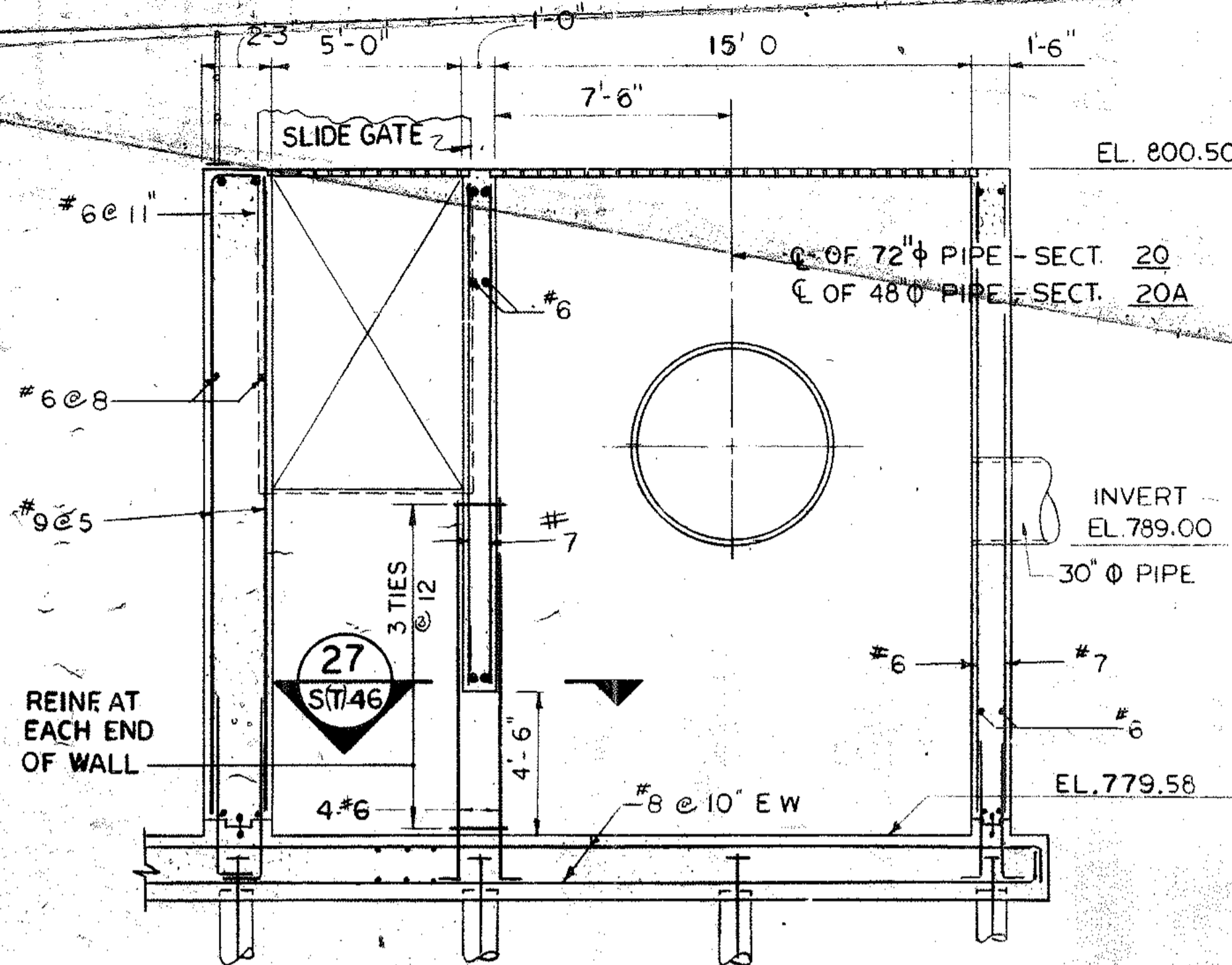
NO. DATE BY DESCRIPTION PLACES

REVISIONS

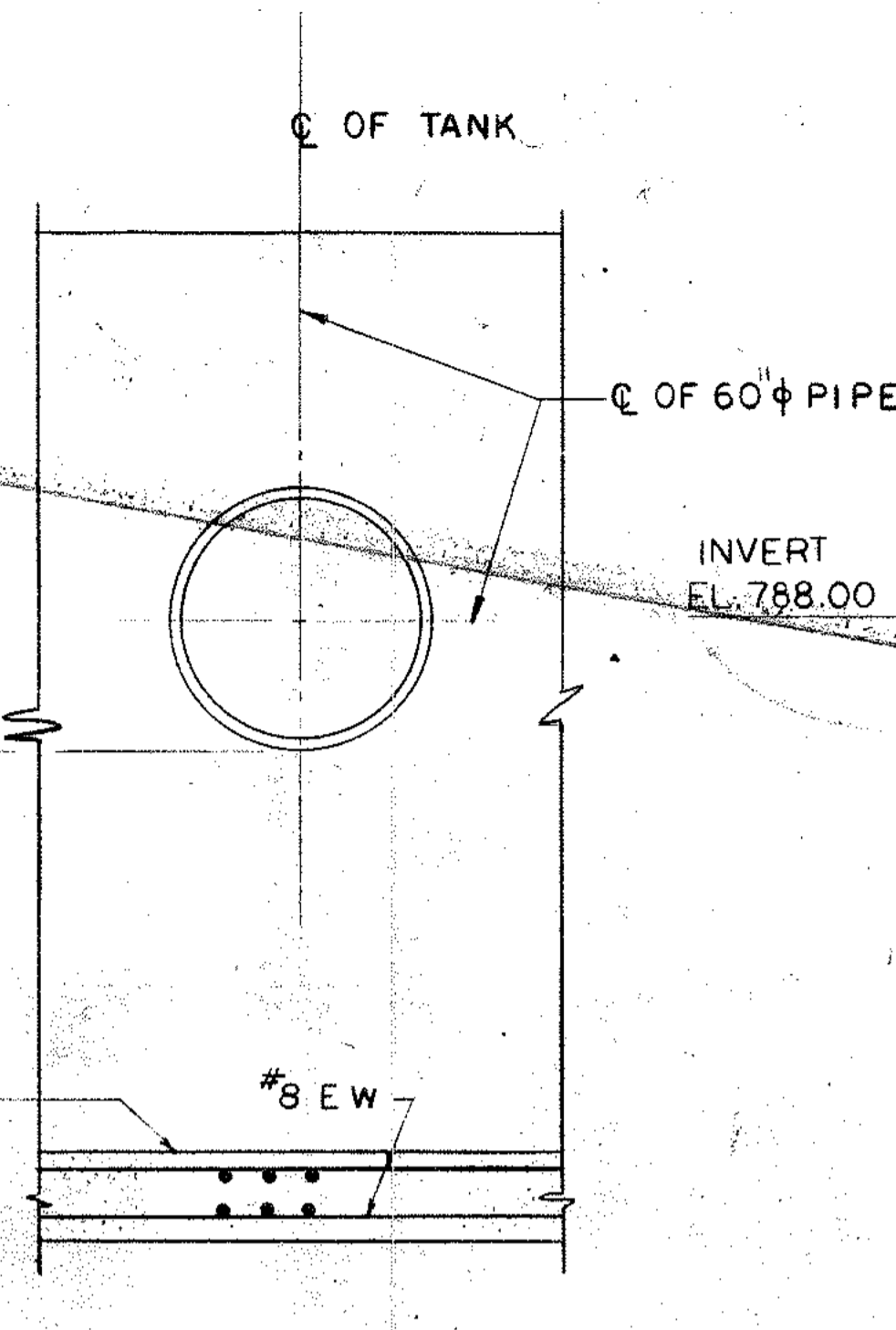
DEPARTMENT OF
CITY OF ATLANTA
DEPARTMENT OF ENVIRONMENT & STREETS
BUREAU OF POLLUTION CONTROL

THREE RIVERS WATER QUALITY MANAGEMENT PLANS

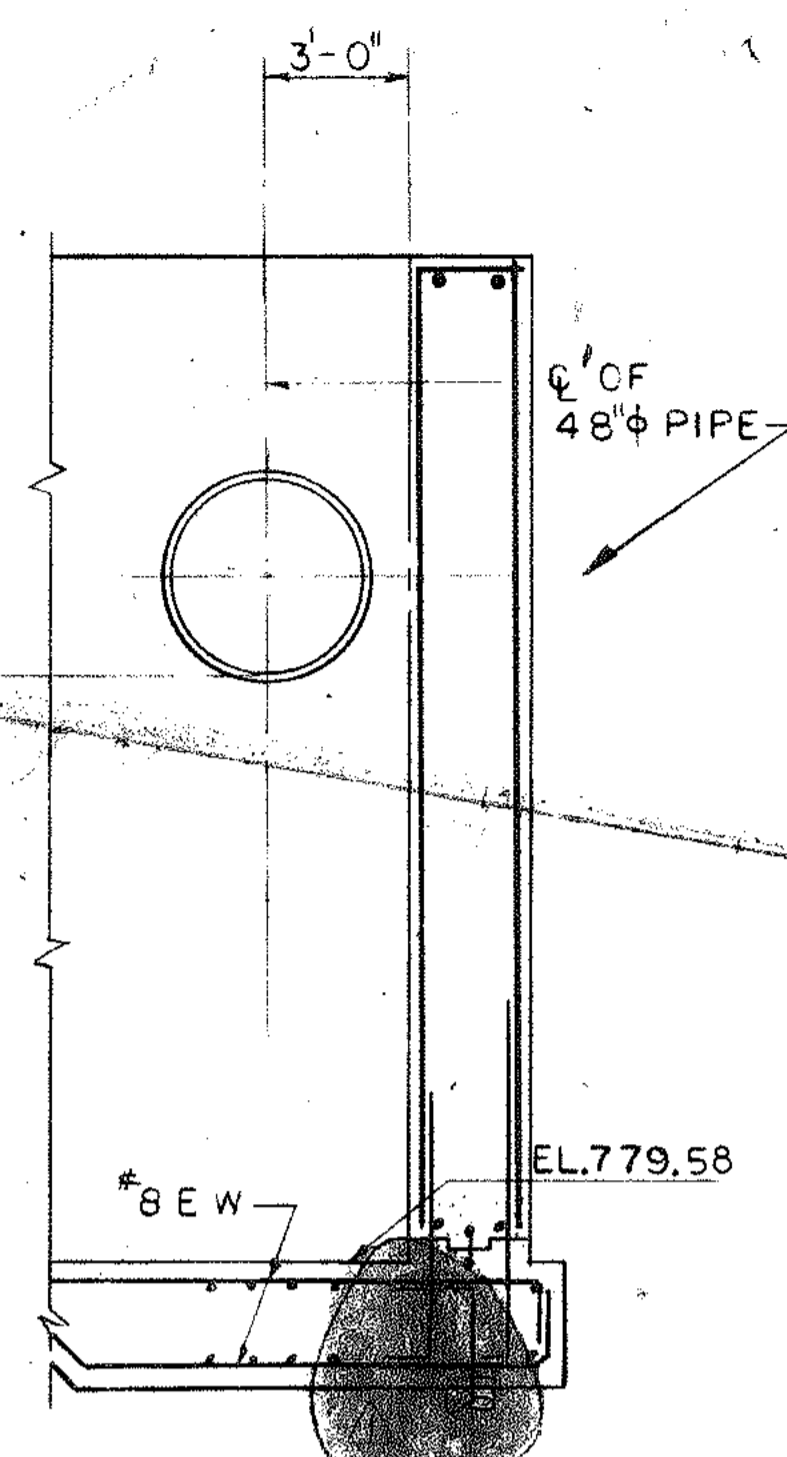
LAND LOT 5 & 28 DISTRICT 14 FULTON COUNTY
APPROVED: *George D. Barnes*
DRAWING NO. 5 (S(T)-45) SHEET NO. 118



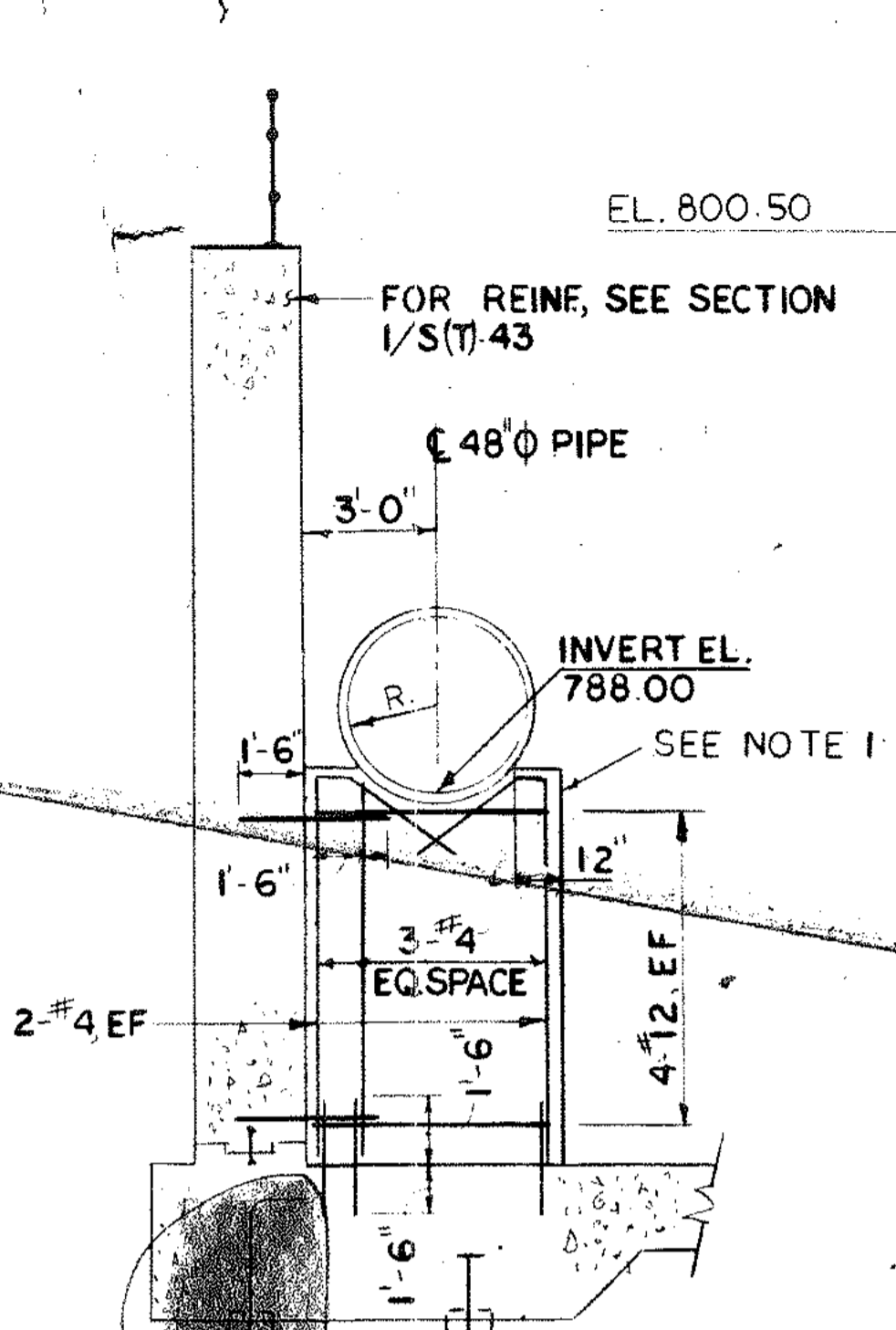
SECTION 20 (OPP. HD.)
SCALE: 1/4" = 1'-0"



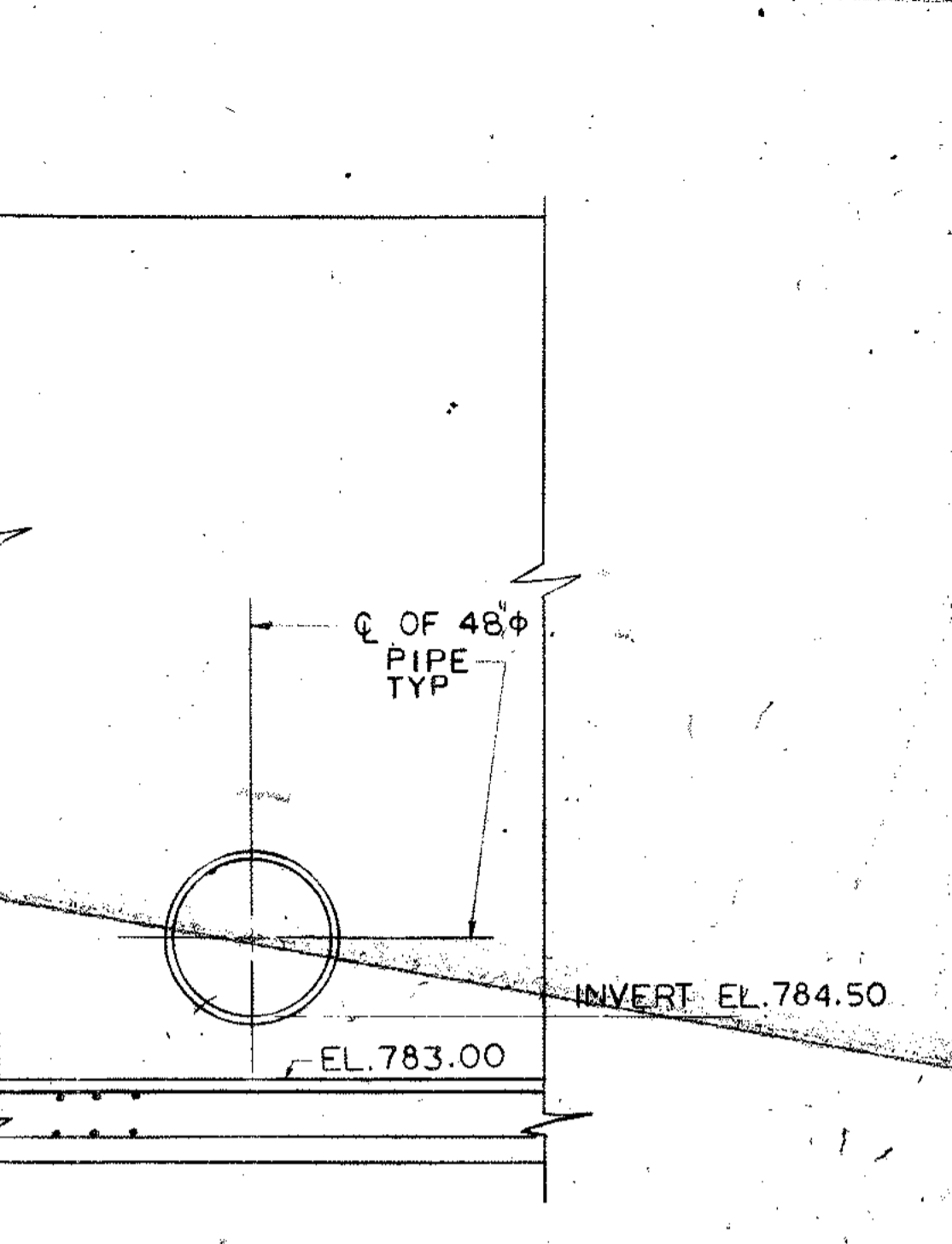
SECTION 21
SCALE: 1/4" = 1'-0"



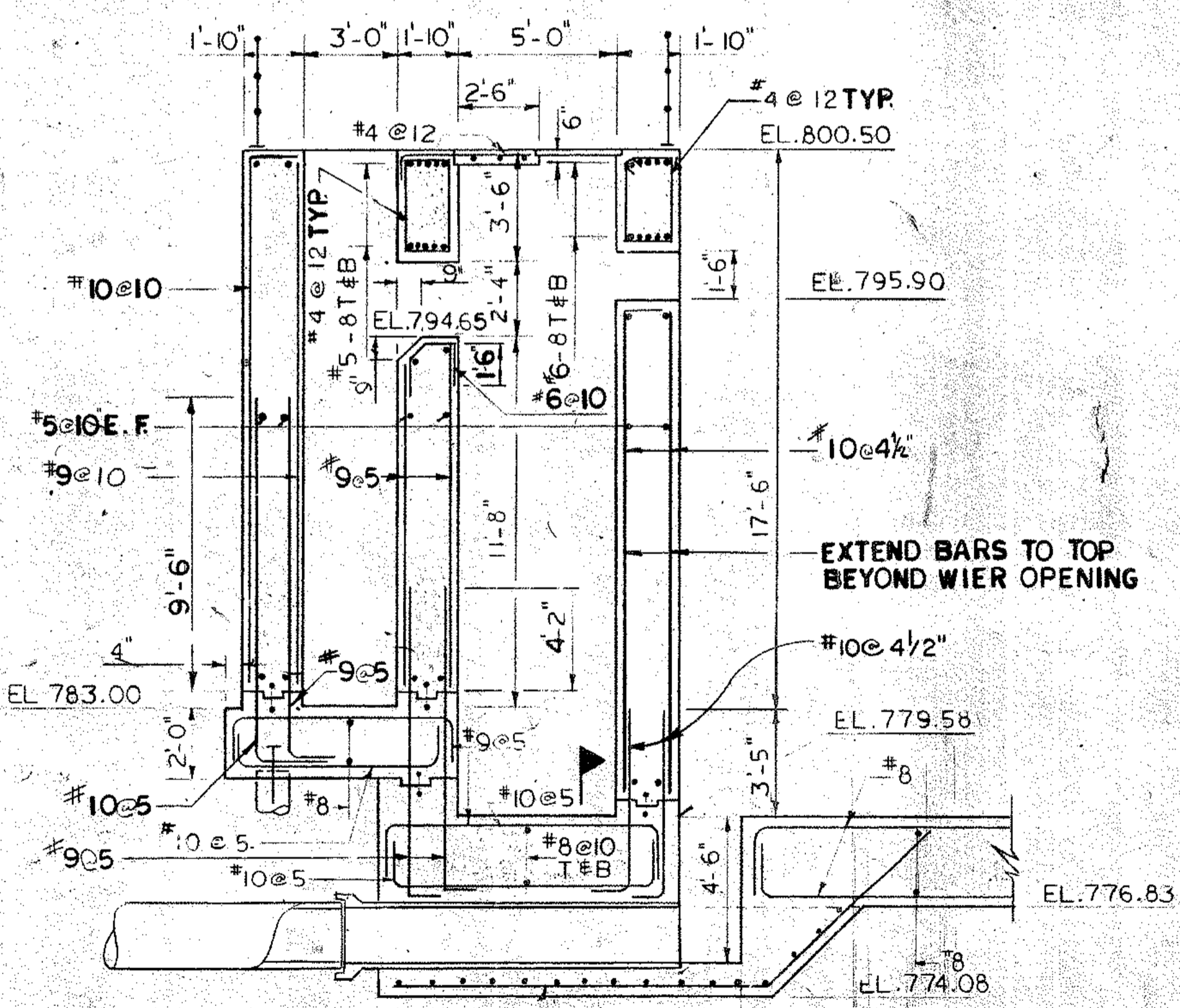
SECTION 22 NTS
SCALE: 1/4" = 1'-0"



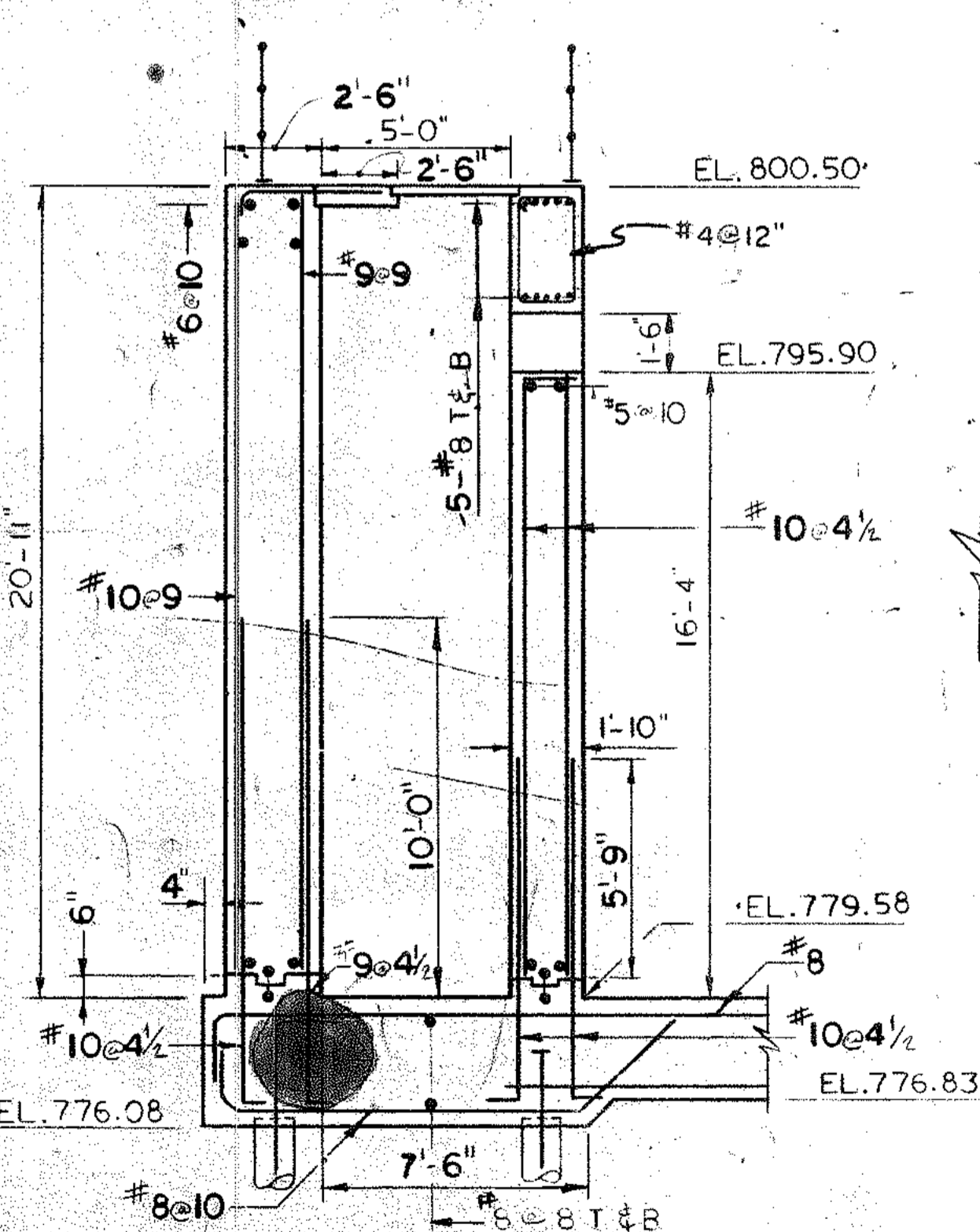
SECTION 23
SCALE: 1/4" = 1'-0"



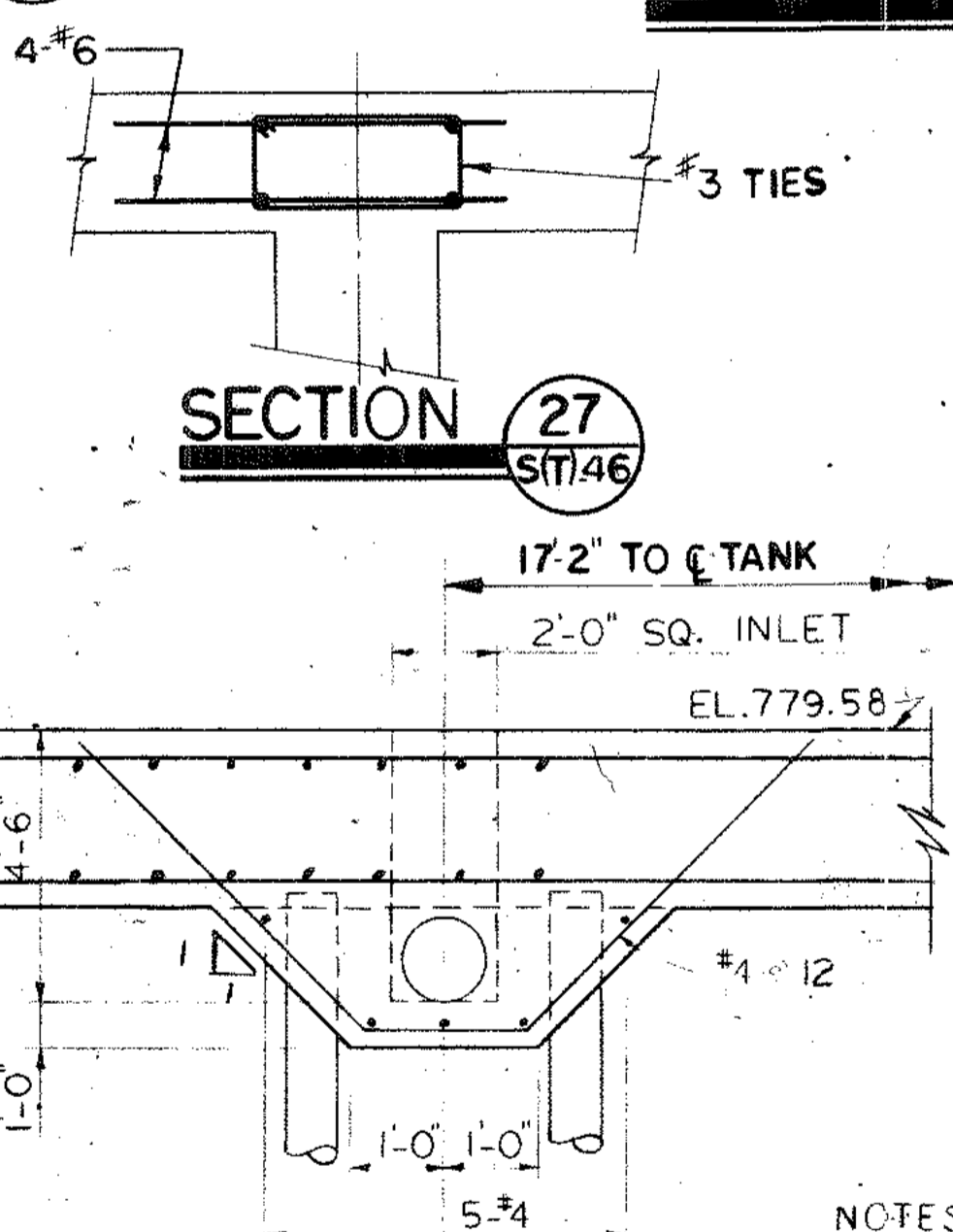
SECTION 24
SCALE: 1/4" = 1'-0"



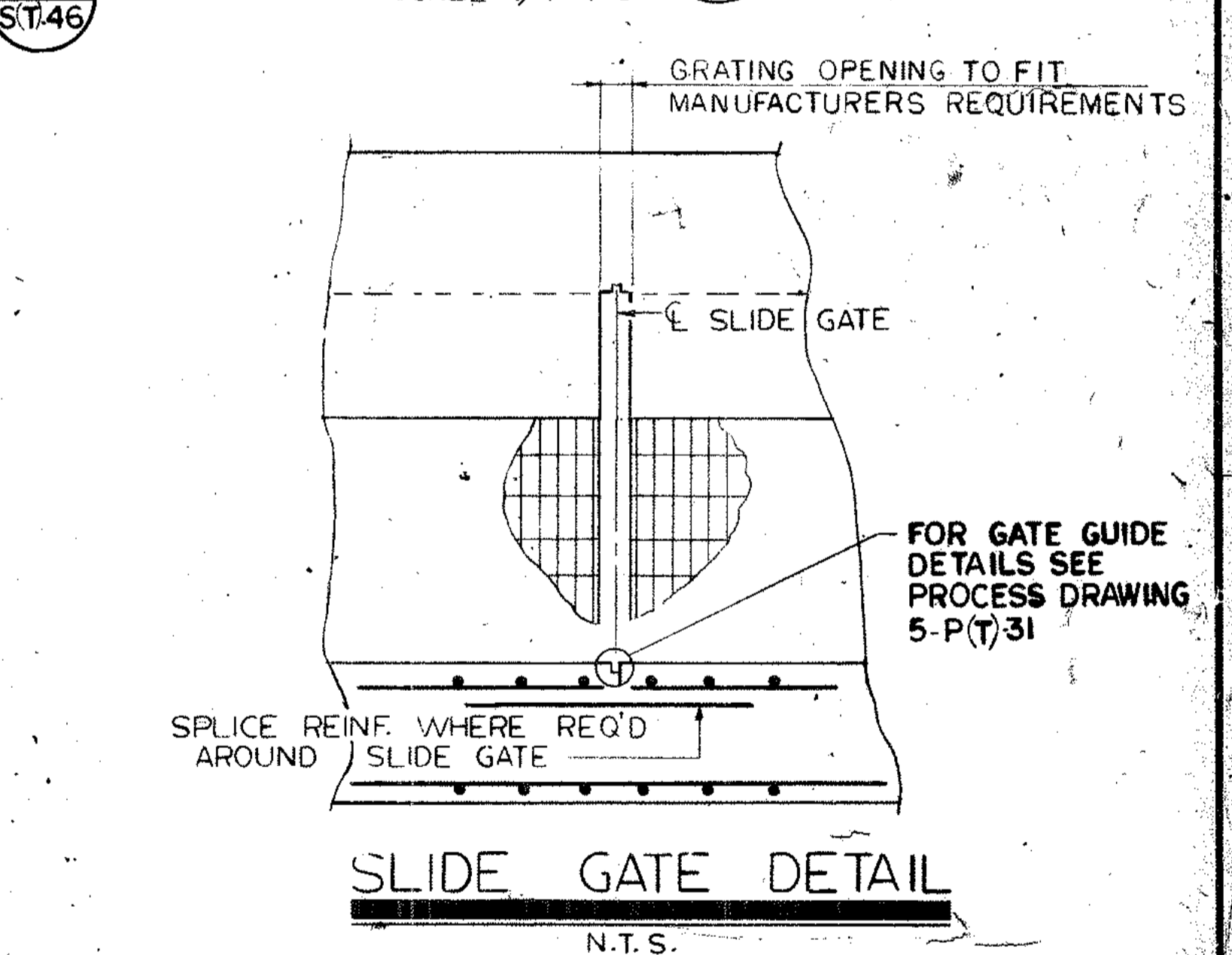
SECTION 25
SCALE: 1/4" = 1'-0"



SECTION 4-A
SCALE: 1/4" = 1'-0"



SECTION 26
SCALE: 1/2" = 1'-0"



SLIDE GATE DETAIL
N.T.S.

NOTES:
1. NUMBER AND SPACING OF PIPE SUPPORTS TO BE DETERMINED BY MECHANICAL CONTRACTOR AS PER SPECIFICATIONS.

ROSS, SAARINEN, BOLTON & WILDER, INC.
J.W. ROBINSON ASSOCIATES, INC.
POLYTECH, INC.
A JOINT VENTURE ATLANTA, GEORGIA

SOUTH RIVER WASTEWATER TREATMENT PLANT
DESIGN TASK NO. 5

AERATION BASINS
PIPE OPENINGS AND DETAILS

DSGN	JCD	APPROVED	<i>William Phanton, Sr.</i>
DRWN	AT/HP	APPROVED	<i>George D. Barnes</i>
CHKD	HP/LU	SCALE	AS SHOWN
		DATE	NOV. 1979

NO.	DATE	BY	DESCRIPTION	PLACES
1	10/16/79	JCD	CHANGED PILES TO TYPE # 3	

REVISIONS

DEPARTMENT OF ENVIRONMENT AND STREETS
CITY OF ATLANTA
DEPARTMENT OF ENVIRONMENT & STREETS
BUREAU OF POLLUTION CONTROL

THREE RIVERS WATER QUALITY MANAGEMENT PLANS

LAND LOT 5 & 28 DISTRICT 14 FULTON COUNTY
APPROVED SHEET NO. 119
DRAWING NO. 5 - (S) - 46