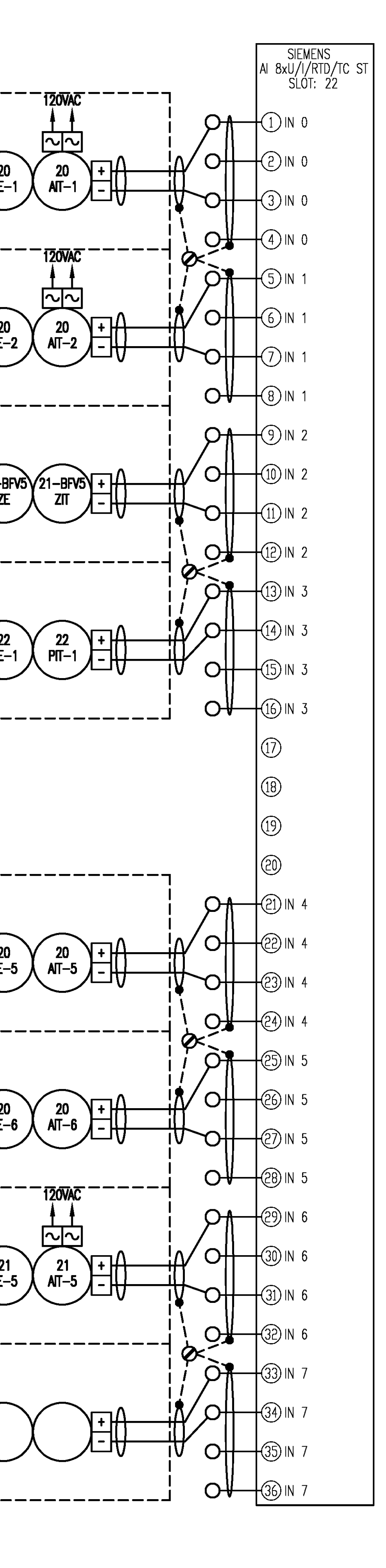


10/17/2014 10:36:13 AM - P:\IER11740\200-11740-10003\CAD\200-11740-10003\CONTROL PANEL WTP RCP-5.DWG - CALZARETTA, TIMOTHY

FROM LINE XX (24V-)
LINE NO.
15 00
15 01
15 02
15 03
15 04
15 05
15 06
15 07
15 08
15 09
15 10
15 11
15 12
15 13
15 14
15 15
15 16
15 17
15 18
15 19
15 20
15 21
15 22
15 23
15 24
15 25
15 26
15 27
15 28
15 29
15 30
15 31
15 32
15 33
15 34
15 35
15 36



(24V -)

DOSED PH (20-AIT-1)

DOSED STREAMING CURRENT (20-AIT-2)

WASH WATER VALVE (21-BFV 5) 0-100% OPEN

BACKWASH AIR PRESSURE ON (0-150 PSI) (22-PIT-1)

SETTLED WATER TURBIDIMETER TRAIN #1 (20-AIT-5)

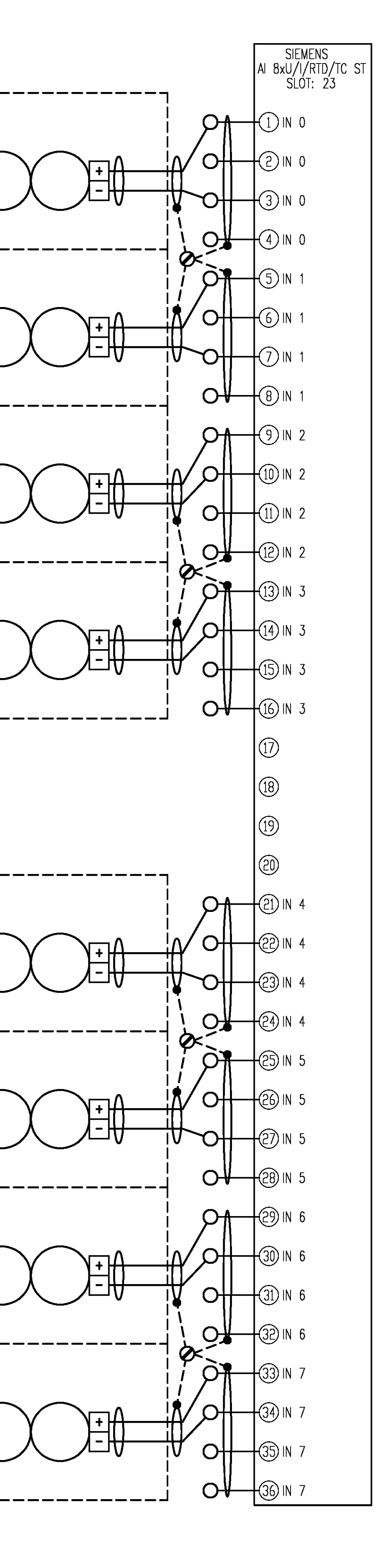
SETTLED WATER TURBIDIMETER TRAIN #2 (20-AIT-6)

COMBINED FILTER EFFLUENT TURBIDIMETER (21-AIT-5)

23-MP-1A SPEED FEEDBACK (0-100%)

24V -

FROM LINE XX (24V-)
LINE NO.
1540
1541
1542
1543
1544
1545
1546
1547
1548
1549
1550
1551
1552
1553
1554
1555
1556
1557
1558
1559
1560
1561
1562
1563
1564
1565
1566
1567
1568
1569
1570
1571
1572
1573
1574
1575
1576



(24V -)

23-MP-1B SPEED FEEDBACK (0-100%)

SPARE

SPARE

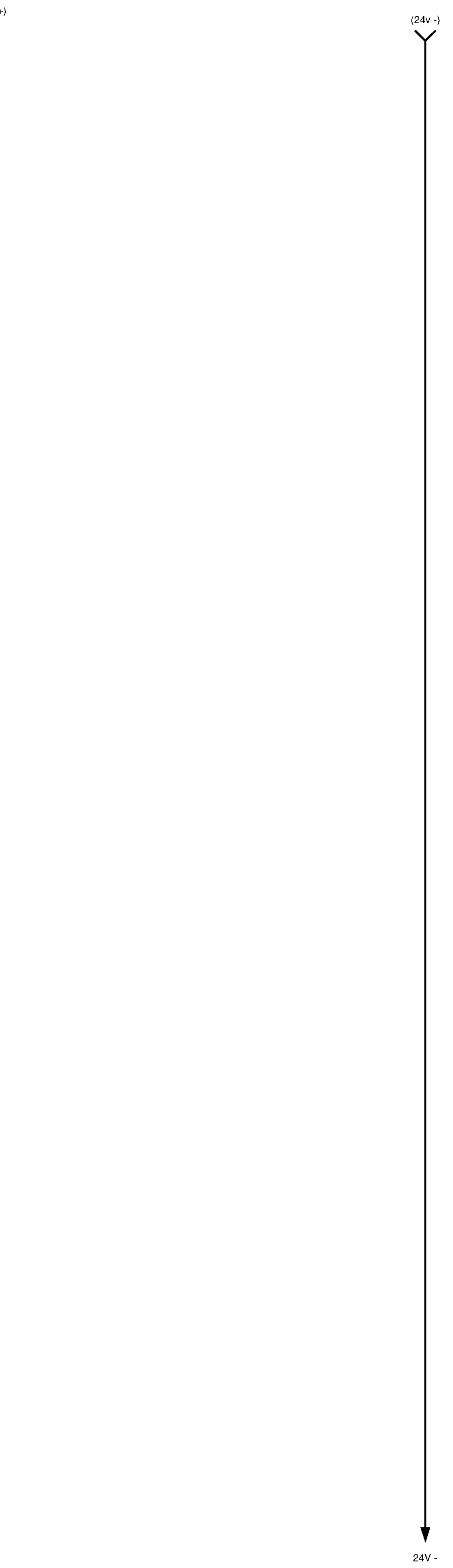
SPARE

SPARE

SPARE

24V -

FROM LINE XX (24V-)
LINE NO.
1580
1581
1582
1583
1584
1585
1586
1587
1588
1589
1590
1591
1592
1593
1594
1595
1596
1597
1598
1599
1600
1601
1602
1603
1604
1605
1606
1607
1608
1609
1610
1611
1612
1613
1614
1615
1616



(24V -)

24V -

TETRA TECH
www.tetra.tech.com
101 QUALITY CIRCLE, SUITE 140
HUNTSVILLE, ALABAMA 35806
PHONE: (256) 424-4077 FAX: (256) 424-4097

BID SET

ALABAMA PROFESSIONAL ENGINEERING EXAMINATION No. 21938 PROFESSIONAL ENGINEER IN MECHANICAL ENGINEERING

MARK	DATE	DESCRIPTION

HUNTSVILLE UTILITIES
SOUTHEAST WATER TREATMENT PLANT
**CONTROL PANEL
WTP-RCP-5**

Project No.: 200-11740-10003
Designed By: CSW
Drawn By: CSW
Checked By: DAB

I-8022
Copyright: Tetra Tech
Bar Measures 1 inch