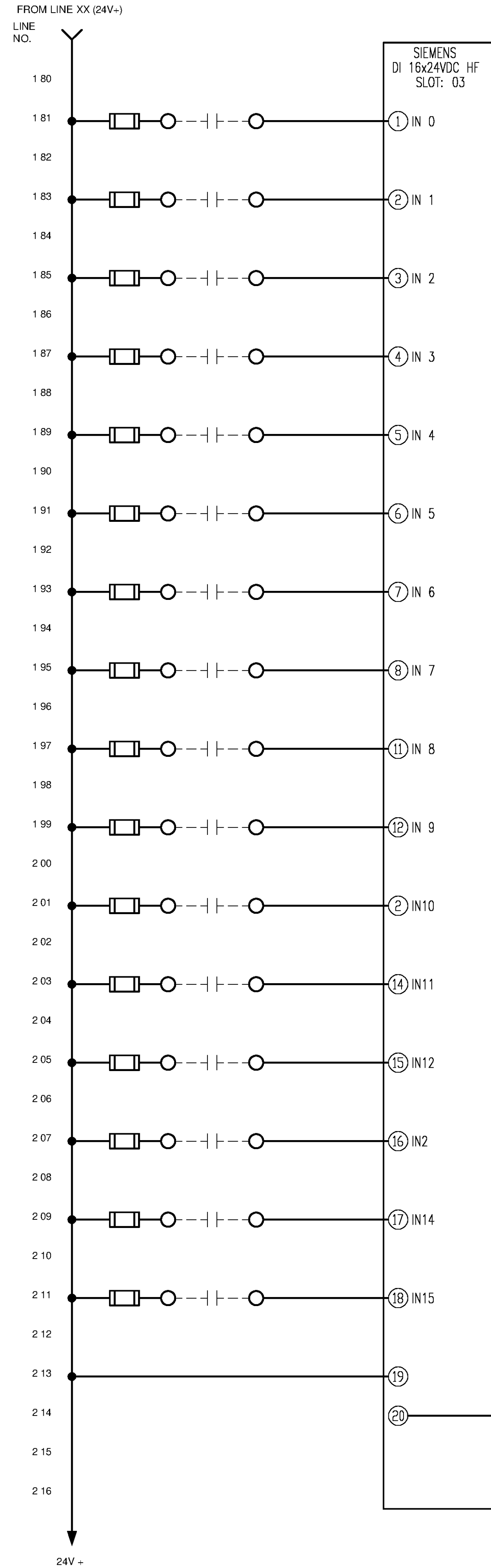
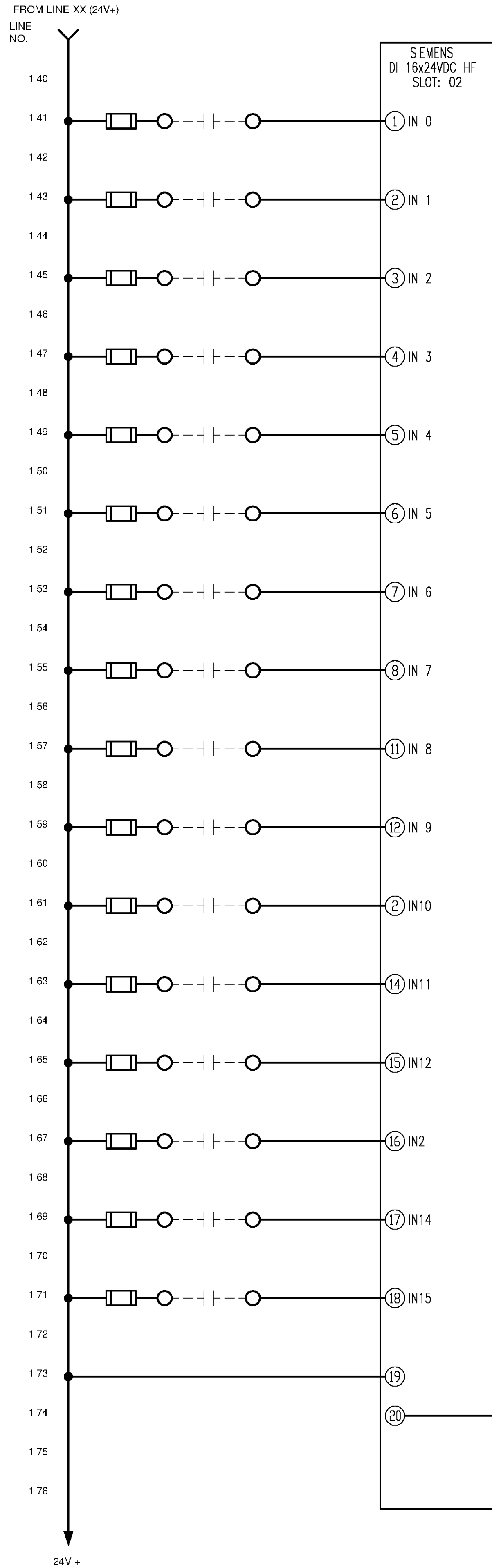
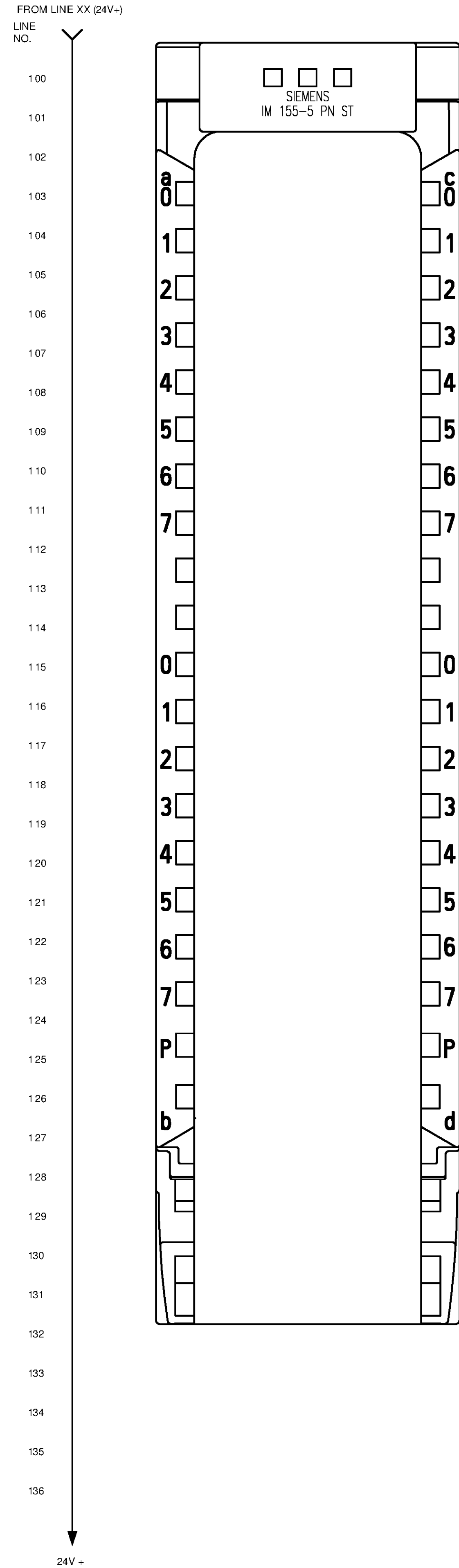


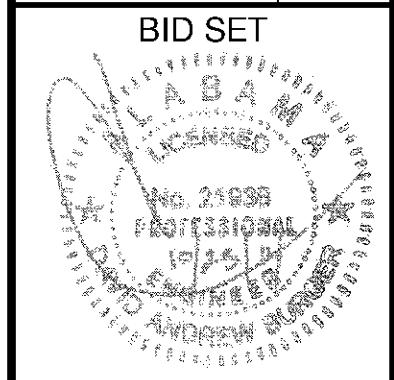
10/17/2014 10:35:05 AM - P:\IER\1740\200-11740-10003\CAD\SHEETFILES\TREATMENT PLANT\WTP-18008 CONTROL PANEL\WTP-RCP-2.DWG - CALZARETTA, TIMOTHY



TETRA TECH



www.tetra-tech.com
101 QUALITY CIRCLE, SUITE 140
HUNTSVILLE, ALABAMA 35896
PHONE: (256) 424-4077 FAX: (256) 424-4097



BID SET

BY

--	--	--	--	--	--	--	--

DESCRIPTION

--	--	--	--	--	--	--	--

DATE

--	--	--	--	--	--	--	--

MARK

--	--	--	--	--	--	--	--

HUNTSVILLE UTILITIES
SOUTHEAST WATER TREATMENT PLANT
CONTROL PANEL
WTP-RCP-2

Project No.: 200-11740-10003
Designed By: CSW
Drawn By: TAC
Checked By: DAB

I-8008

Copyright: Tetra Tech

Bar Measures 1 inch