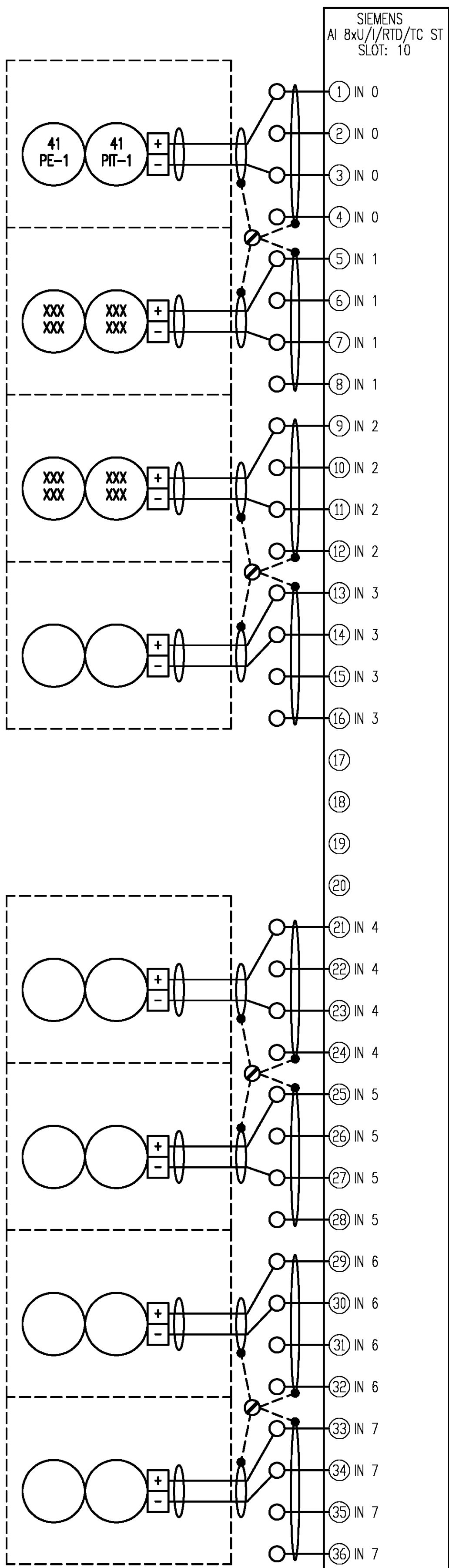


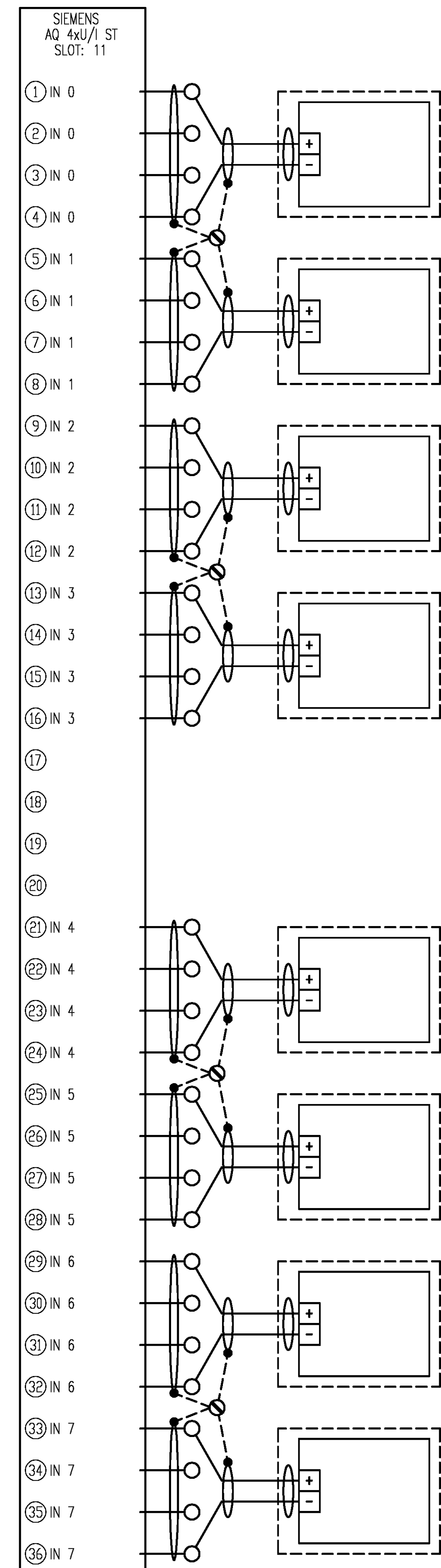
10/17/2014 10:34:58 AM - P:\IER1\1740\200-11740-10003\CAD\SHEETFILES\TREATMENT PLANT\WTP-1\6004-CONTROL PANEL\WTP-RCP-1.DWG - CALZARETTA, TIMOTHY

FROM LINE XX (24V+) LINE NO. 700 701 702 703 704 705 706 707 708 709 710 711 712 713 714 715 716 717 718 719 720 721 722 723 724 725 726 727 728 729 730 731 732 733 734 735 736



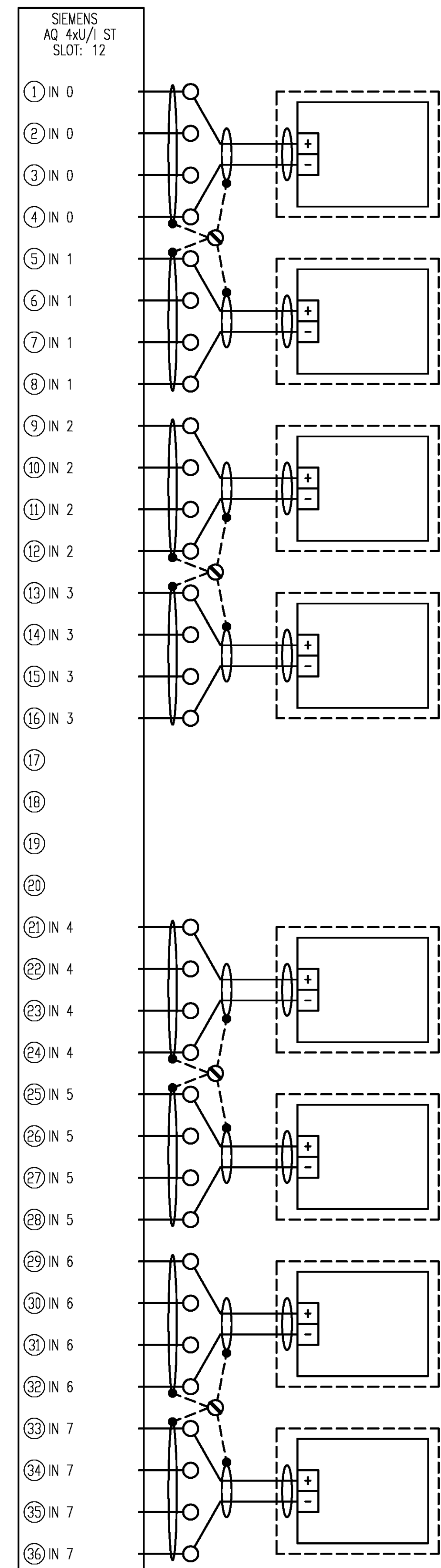
(24V-) FINISHED WATER TO ELEVATED STORAGE TANK PRESSURE (0-200 PSI) AIR/OIL ACCUMULATOR OIL PRESSURE AIR/OIL ACCUMULATOR AIR PRESSURE SPARE SPARE SPARE SPARE SPARE

FROM LINE XX (24V+) LINE NO. 740 741 742 743 744 745 746 747 748 749 750 751 752 753 754 755 756 757 758 759 760 761 762 763 764 765 766 767 768 769 770 771 772 773 774 775 776



(24V-) FINISHED WATER PUMP #1 SPEED CMD (0-100%) FINISHED WATER PUMP #3 SPEED CMD (0-100%) SPARE SPARE SPARE SPARE SPARE

FROM LINE XX (24V+) LINE NO. 780 781 782 783 784 785 786 787 788 789 790 791 792 793 794 795 796 797 798 799 800 801 802 803 804 805 806 807 808 809 810 811 812 813 814 815 816



(24V-) FINISHED WATER PUMP #2 SPEED CMD (0-100%) SPARE SPARE SPARE SPARE SPARE SPARE SPARE SPARE SPARE

TETRA TECH logo, BID SET stamp, HUNTSVILLE UTILITIES SOUTHSEAS WATER TREATMENT PLANT CONTROL PANEL WTP-RCP-1, Project No.: 200-11740-10003, Designed By: CSW, Drawn By: TAC, Checked By: DAB, I-8007, Copyright: Tetra Tech, Bar Measures 1 inch