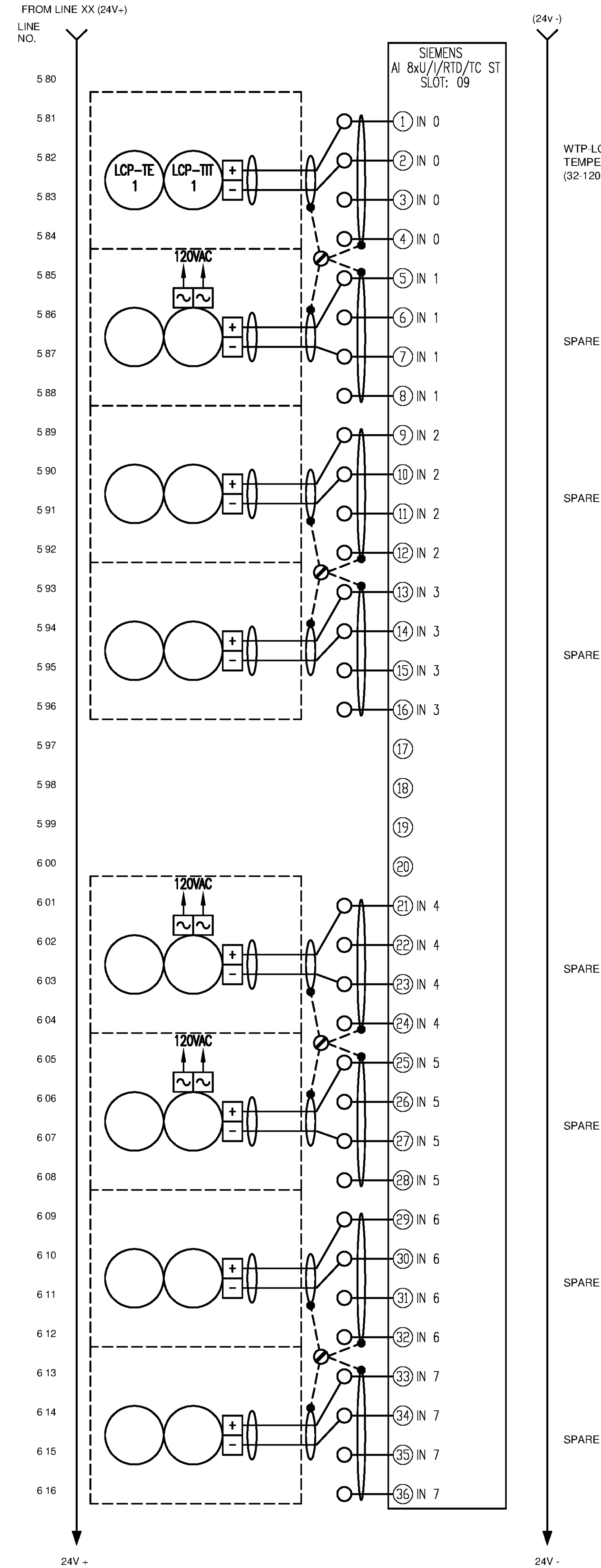
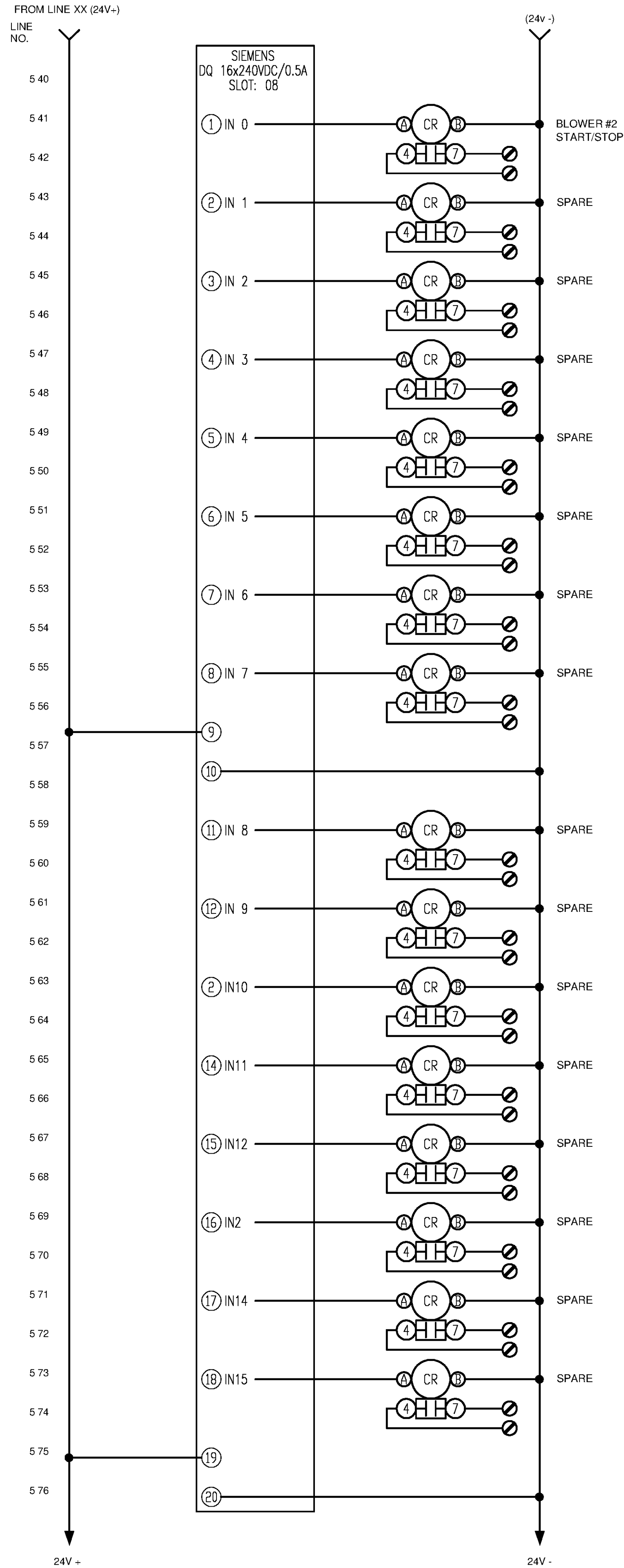
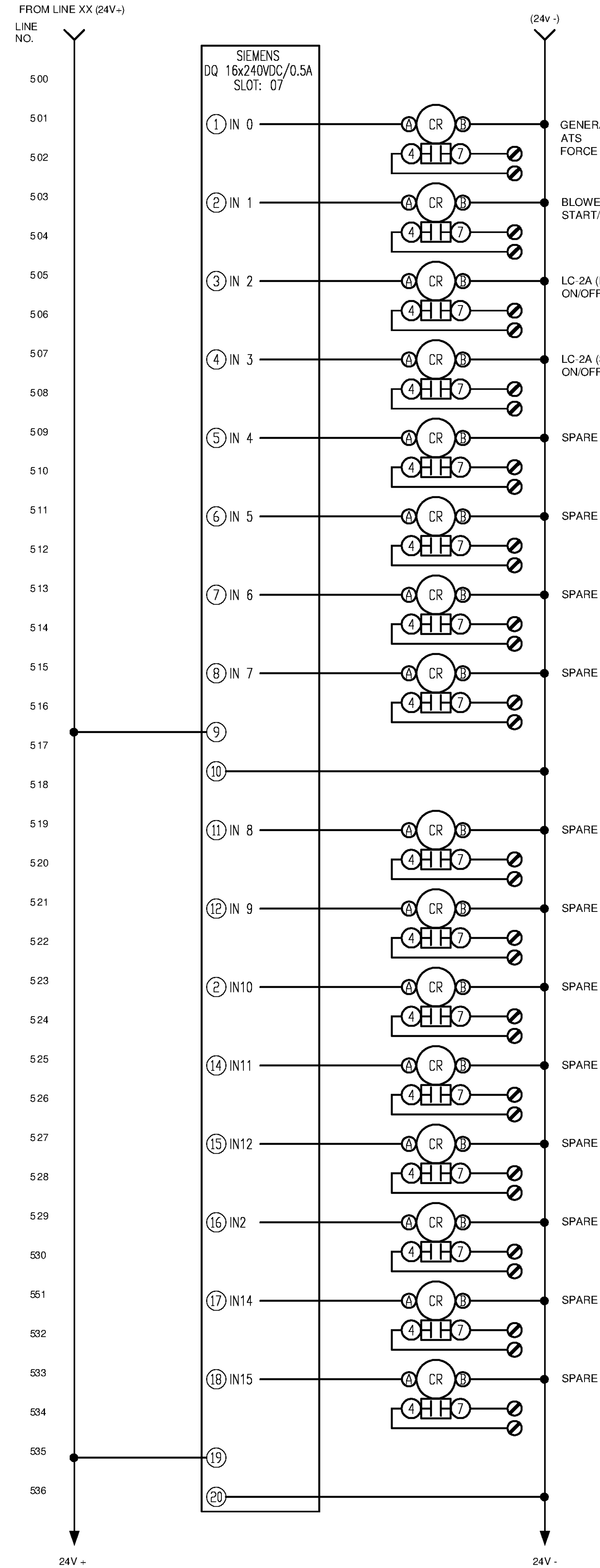


10/17/2014 10:34:33 AM - P:\IER\1740\200-11740-10003\CAD\SHEETFILES\TREATMENT PLANT\WTP-18000 CONTROL PANEL WTP-LCP-1.DWG - CALZARETTA, TIMOTHY



WTP-LCP-1 PANEL
TEMPERATURE
(32-120 F)



BID SET



BY

MARK DATE DESCRIPTION

HUNTSVILLE UTILITIES
SOUTHEAST WATER TREATMENT PLANT

CONTROL PANEL
WTP-LCP-1

Project No.: 200-11740-10003
Designed By: CSW
Drawn By: CSW
Checked By: DAB

I-8002

Bar Measures 1 inch

Copyright Tetra Tech