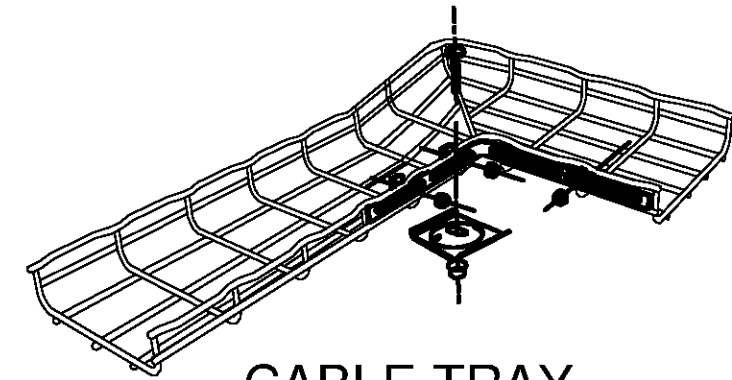
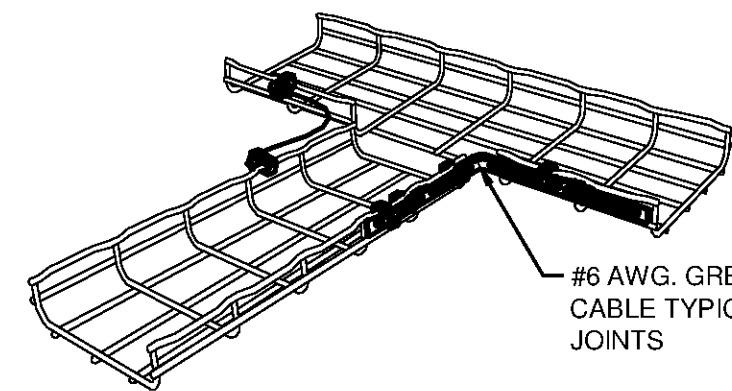


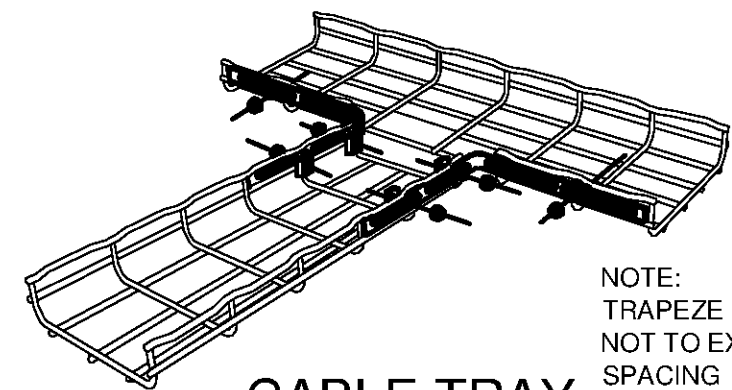
10/17/2014 11:07:13 AM - P:\IER\11740\200-11740-10003\CAD\SHEETFILES\TREATMENT PLANT\WTP E 9518 CABLE TRAY DETAILS.DWG - CALZARETTA, TIMOTHY



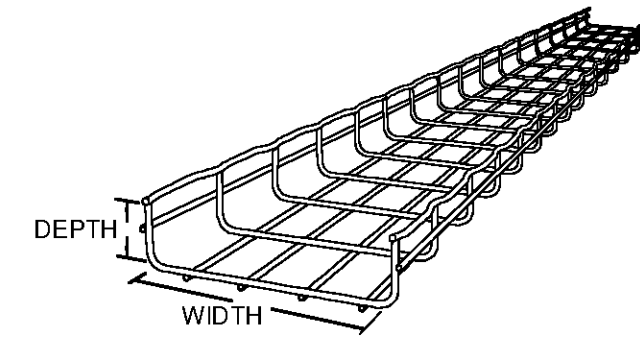
**CABLE TRAY  
CABLOFIL EZ T90**  
NO SCALE



**CABLE TRAY  
SENIOR INDUSTRIES SI-2174**  
NO SCALE

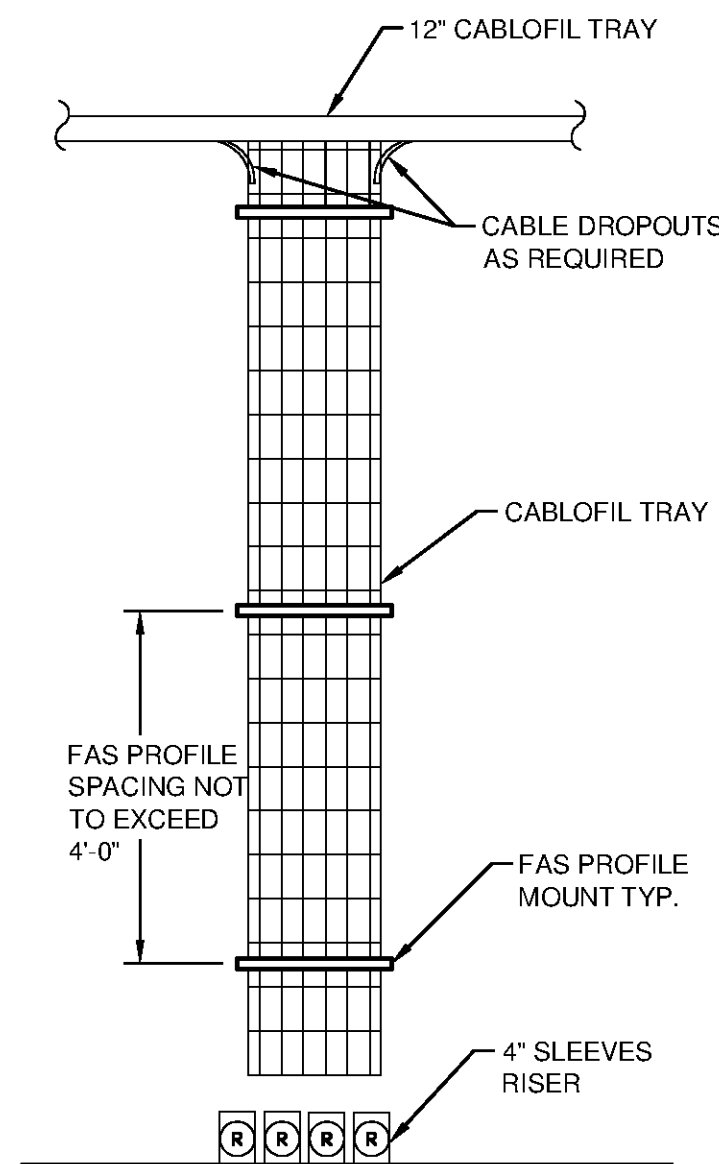


**CABLE TRAY  
CABLOFIL EZ T90**  
NO SCALE

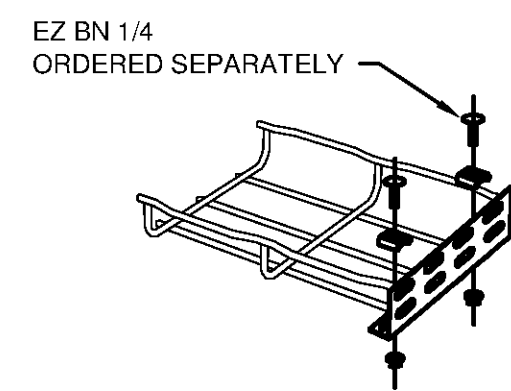


**CABLE TRAY  
CABLOGIL CF 54/150 EZ**  
NO SCALE

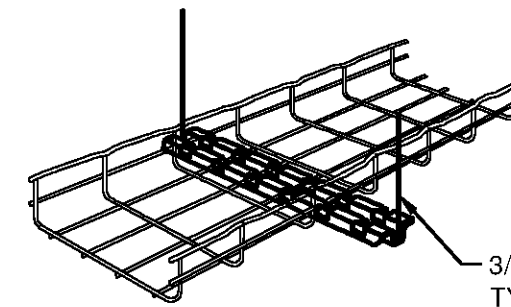
- CF 30 Series:**  
CF3000Z 1 1/2" x 1 1/2"  
CF3000Z 1 1/2" x 2"  
CF3000Z 1 1/2" x 3"  
CF3000Z 1 1/2" x 4"  
CF3000Z 1 1/2" x 6"  
CF3000Z 1 1/2" x 8"  
CF3000Z 1 1/2" x 10"
- CF 54 Series:**  
CF5400Z 2 1/2" x 1 1/2"  
CF5400Z 2 1/2" x 2"  
CF5400Z 2 1/2" x 3"  
CF5400Z 2 1/2" x 4"  
CF5400Z 2 1/2" x 6"  
CF5400Z 2 1/2" x 8"  
CF5400Z 2 1/2" x 10"
- CF 105 Series:**  
CF10500 2 1/2" x 1 1/2"  
CF10500 2 1/2" x 2"  
CF10500 2 1/2" x 3"  
CF10500 2 1/2" x 4"  
CF10500 2 1/2" x 6"  
CF10500 2 1/2" x 8"  
CF10500 2 1/2" x 10"
- CF 150 Series:**  
CF15000 2 1/2" x 1 1/2"  
CF15000 2 1/2" x 2"  
CF15000 2 1/2" x 3"  
CF15000 2 1/2" x 4"  
CF15000 2 1/2" x 6"  
CF15000 2 1/2" x 8"  
CF15000 2 1/2" x 10"



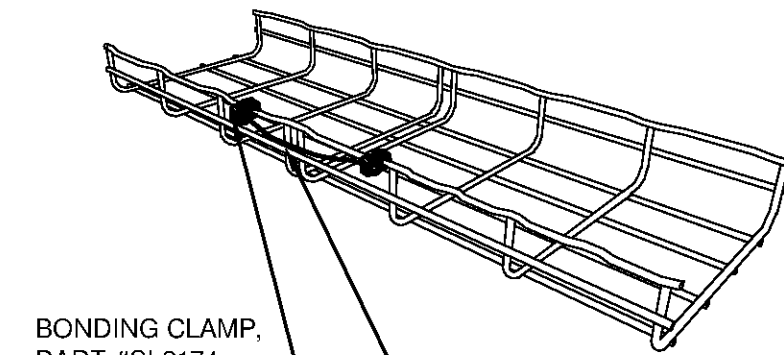
**CABLE TRAY  
VERTICAL DETAIL**  
(ELEVATION VIEW)



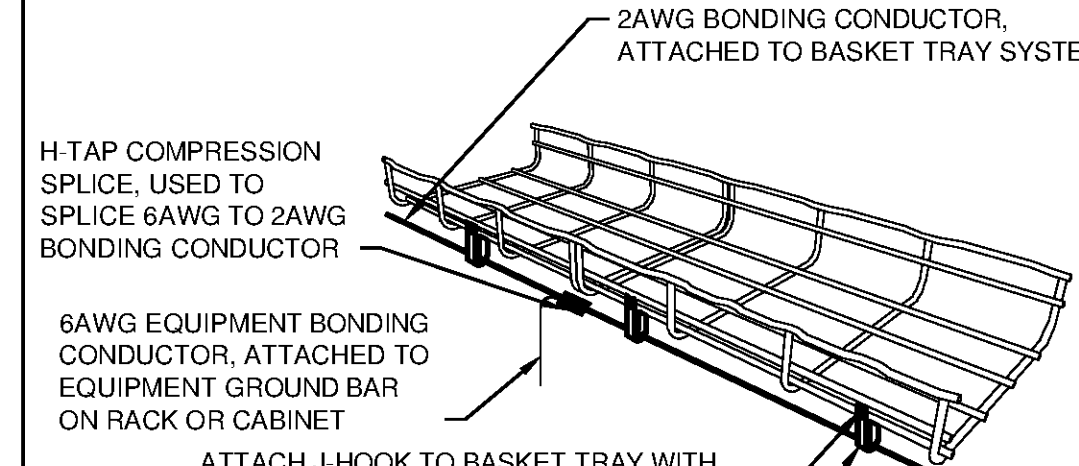
**CABLE TRAY  
CABLOFIL HB 2**  
NO SCALE



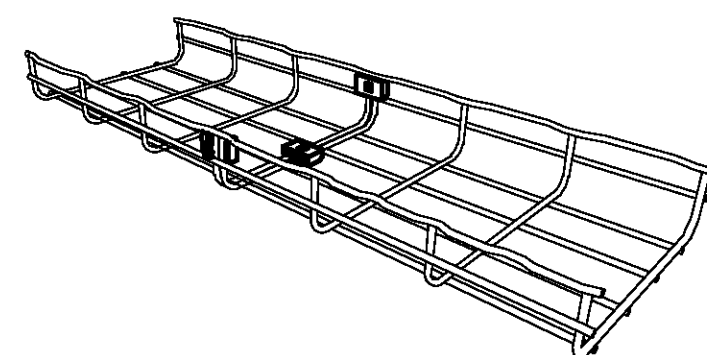
**CABLE TRAY  
CABLOFIL FASPXXX\***  
NO SCALE



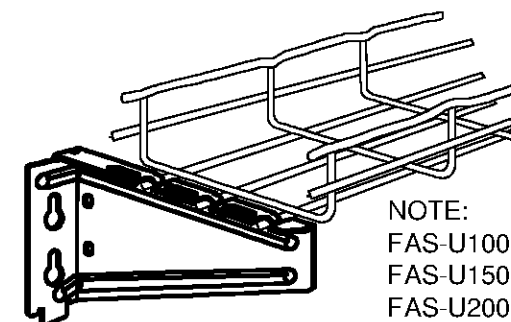
**CABLE TRAY  
SENIOR INDUSTRIES SI-2174**  
NO SCALE



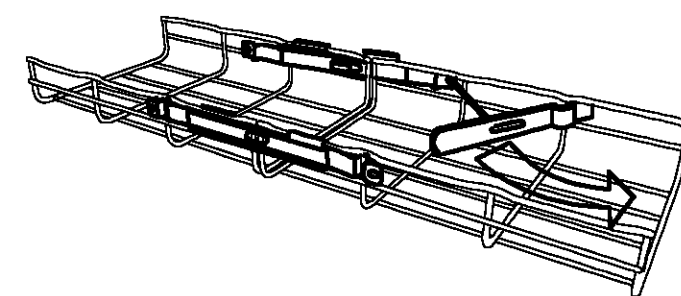
**CABLE TRAY  
BONDING CONDUCTOR**  
NO SCALE



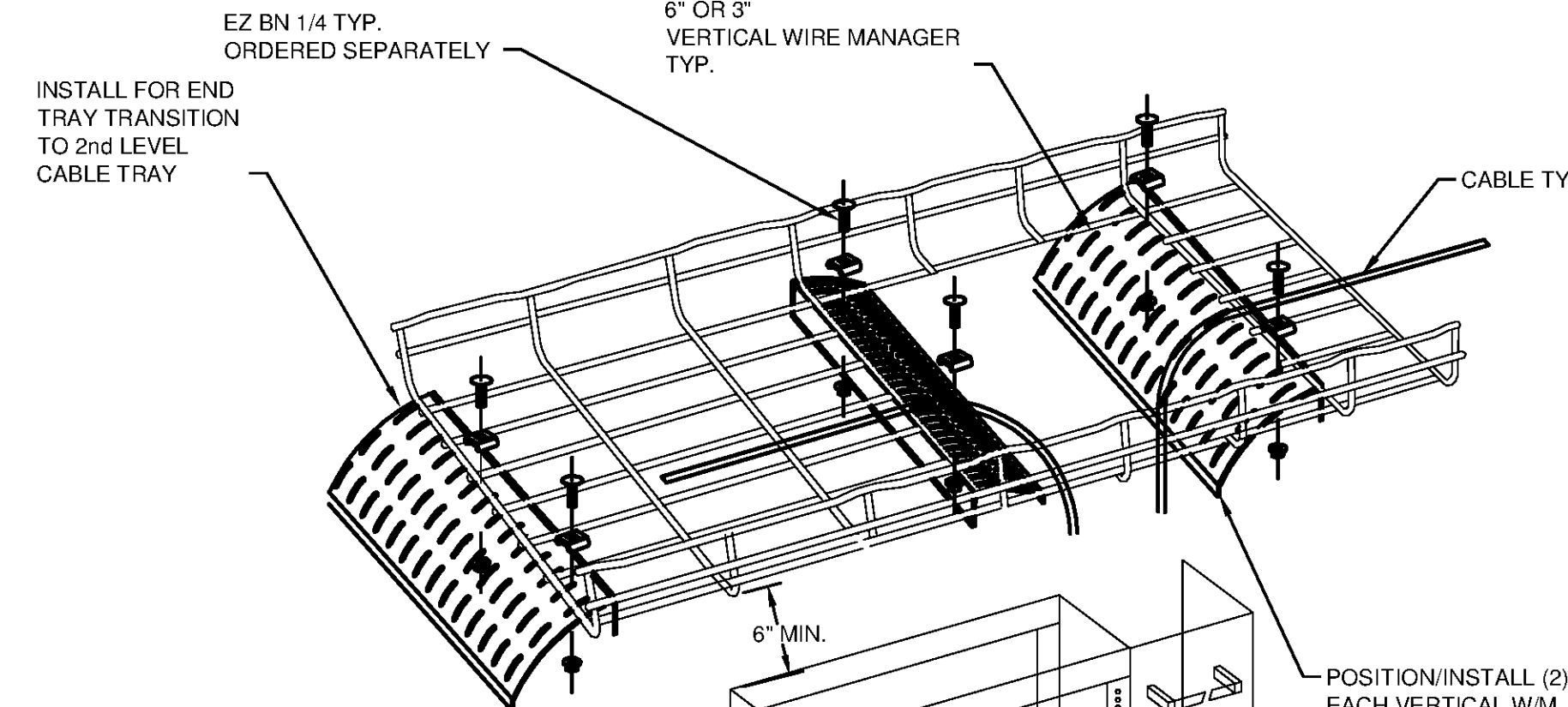
**CABLE TRAY  
CABLOFIL GMSWKB**  
NO SCALE



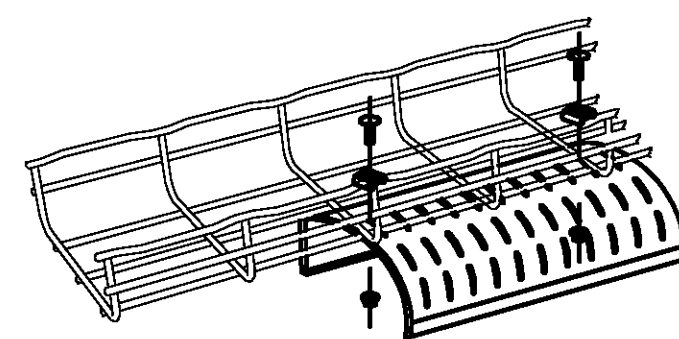
**CABLE TRAY  
CABLOFIL FAS U400**  
NO SCALE



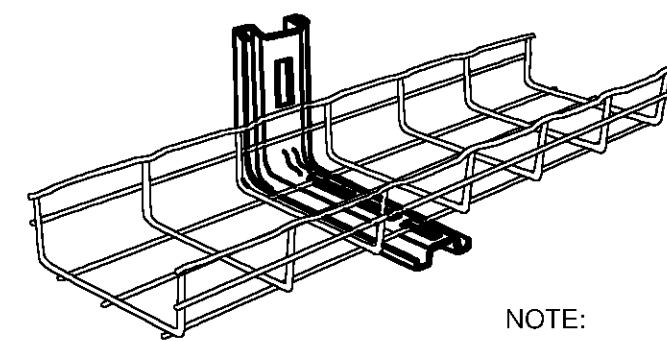
**CABLE TRAY  
CABLOFIL EDNR**  
NO SCALE



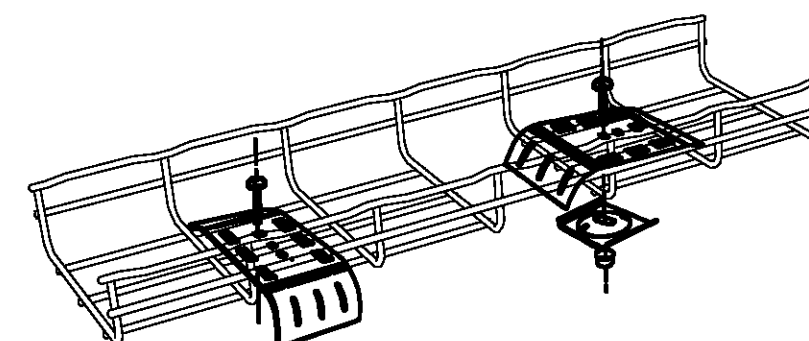
**CABLE TRAY  
CABLOFIL DROPOUT**  
NO SCALE



**CABLE TRAY  
CABLOFIL DROPOUT**  
NO SCALE



**CABLE TRAY  
CABLOFIL CS 200**  
NO SCALE



**CABLE TRAY  
CABLOFIL CABLEXIT**  
NO SCALE

**TETRA TECH**  
www.tetrattech.com  
101 QUALITY CIRCLE, SUITE 140  
HUNTSVILLE, ALABAMA 35806  
PHONE: (256) 424-4077 FAX: (256) 424-4097

BID SET  
ALABAMA PROFESSIONAL ENGINEERING  
No. 21638  
TIMOTHY CALZARETTA  
Professional Engineer  
No. 10003

MARK	DATE	DESCRIPTION	BY

HUNTSVILLE UTILITIES  
SOUTHEAST WATER TREATMENT PLANT  
CABLE TRAY DETAILS

Project No.: 200-11740-10003  
Designed By: CSW  
Drawn By: CSW  
Checked By: DAB

**E-9518**

Bar Measures 1 inch

Copyright: Tetra Tech