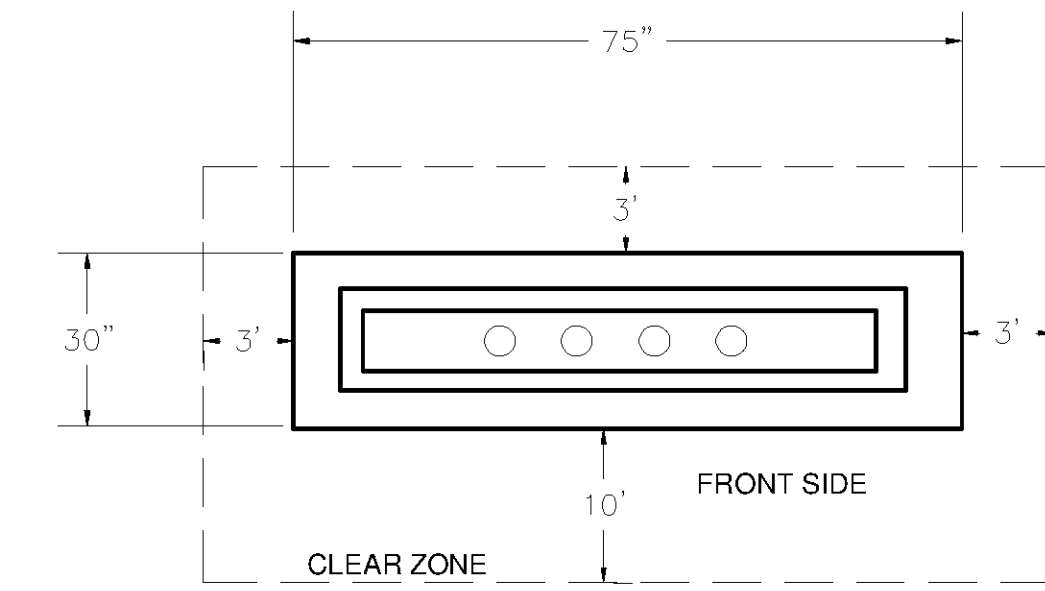
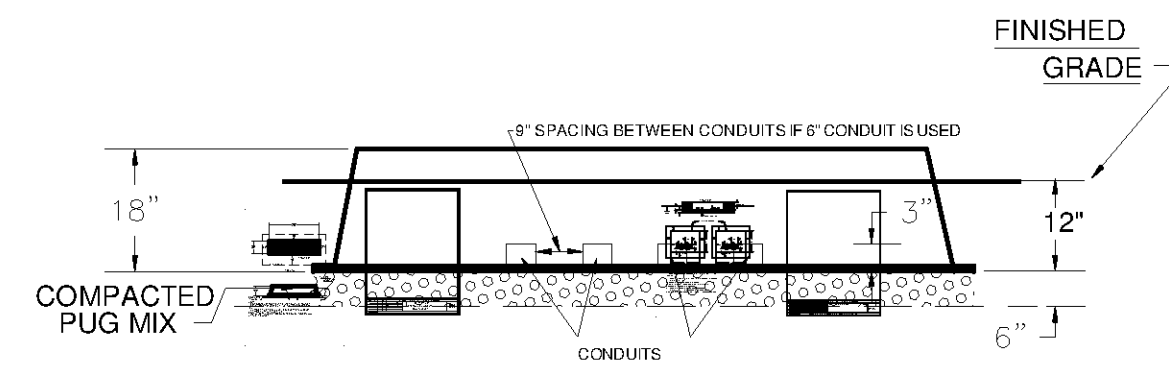


10/17/2014 11:03:20 AM P:\IER\11740\200-11740-10003\CAD\SHEETFILES\TREATMENT PLANT\WTP E 9501 E 9508 ELECTRICAL DETAILS.DWG - CALZARETTA, TIMOTHY

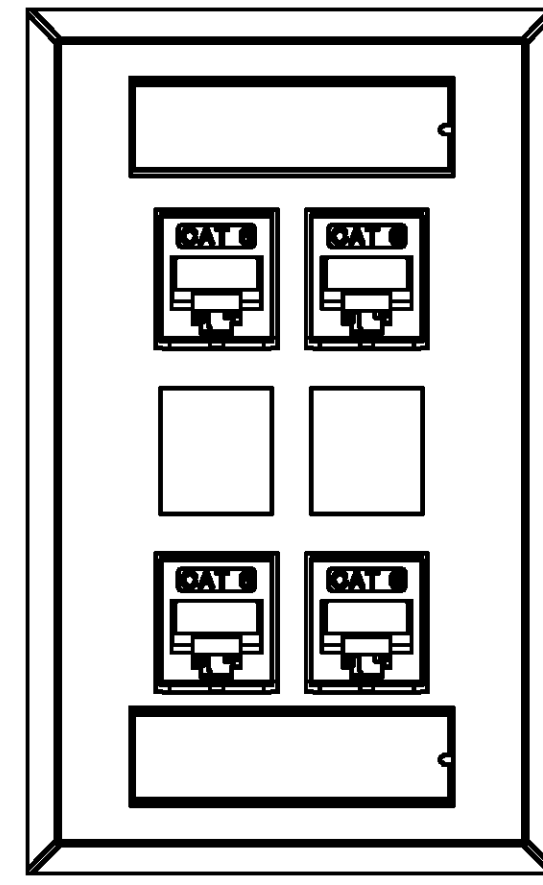


TOP VIEW



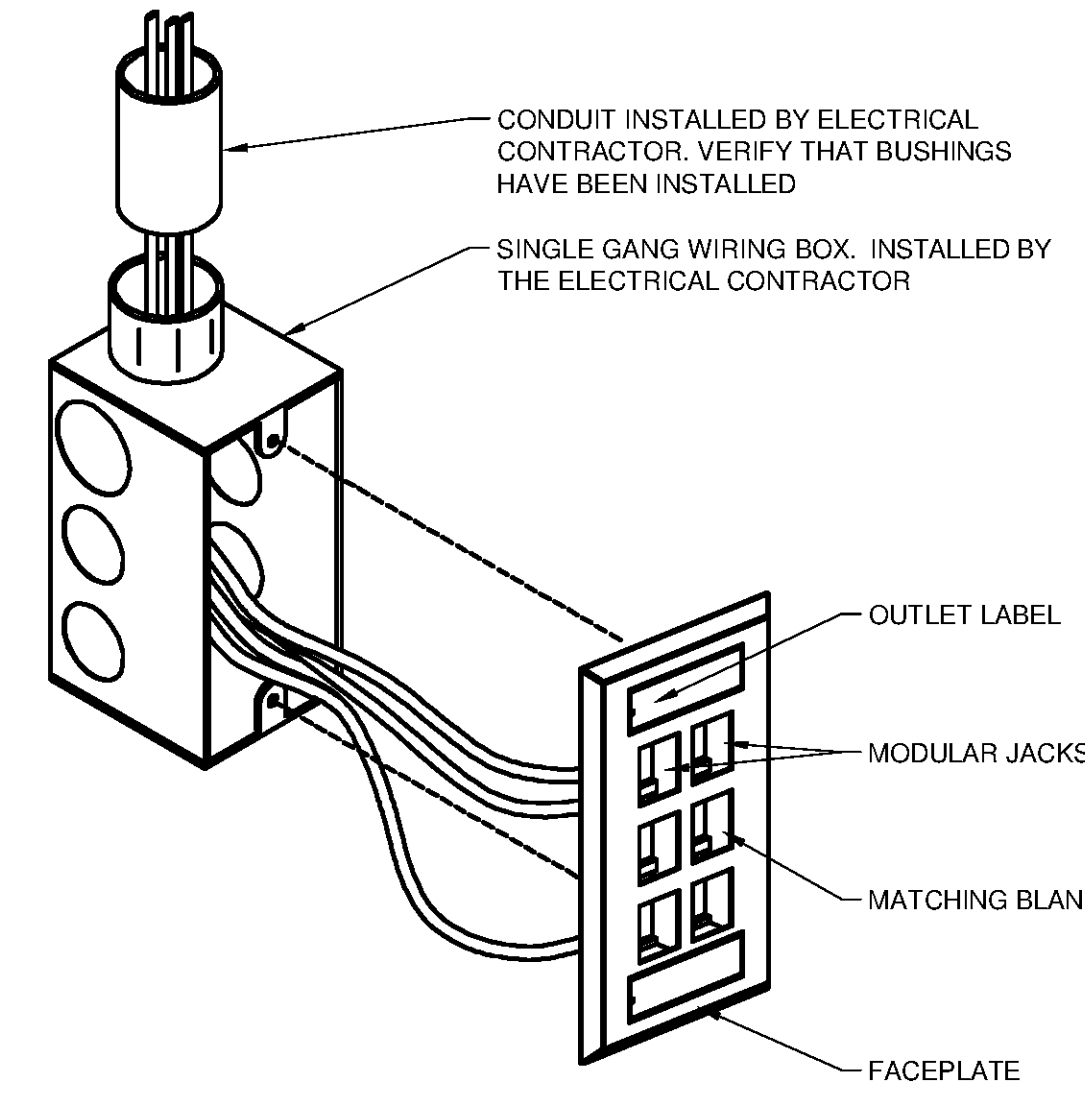
- NOTE:**  
 1. BOTTOM OF BASE TO BE BURIED 12" BELOW FINISHED GRADE.  
 2. CONDUIT TO BE STUBBED UP 3 INCHES ABOVE COMPACTED PUG MIX.  
 3. UNIT TO BE PLACED ON A 6 INCH COMPACTED PUG MIX BASE.  
 4. UNIT TO BE UPRIGHT AND PLUMB.  
 5. FOR NUMBER AND SIZE OF CONDUITS, CONSULT JOB DRAWING.  
 AT FINISHED GRADE.

**THREE PHASE SECTIONALIZING  
 CABINET MOUNTING BASE DETAIL**  
 NO SCALE



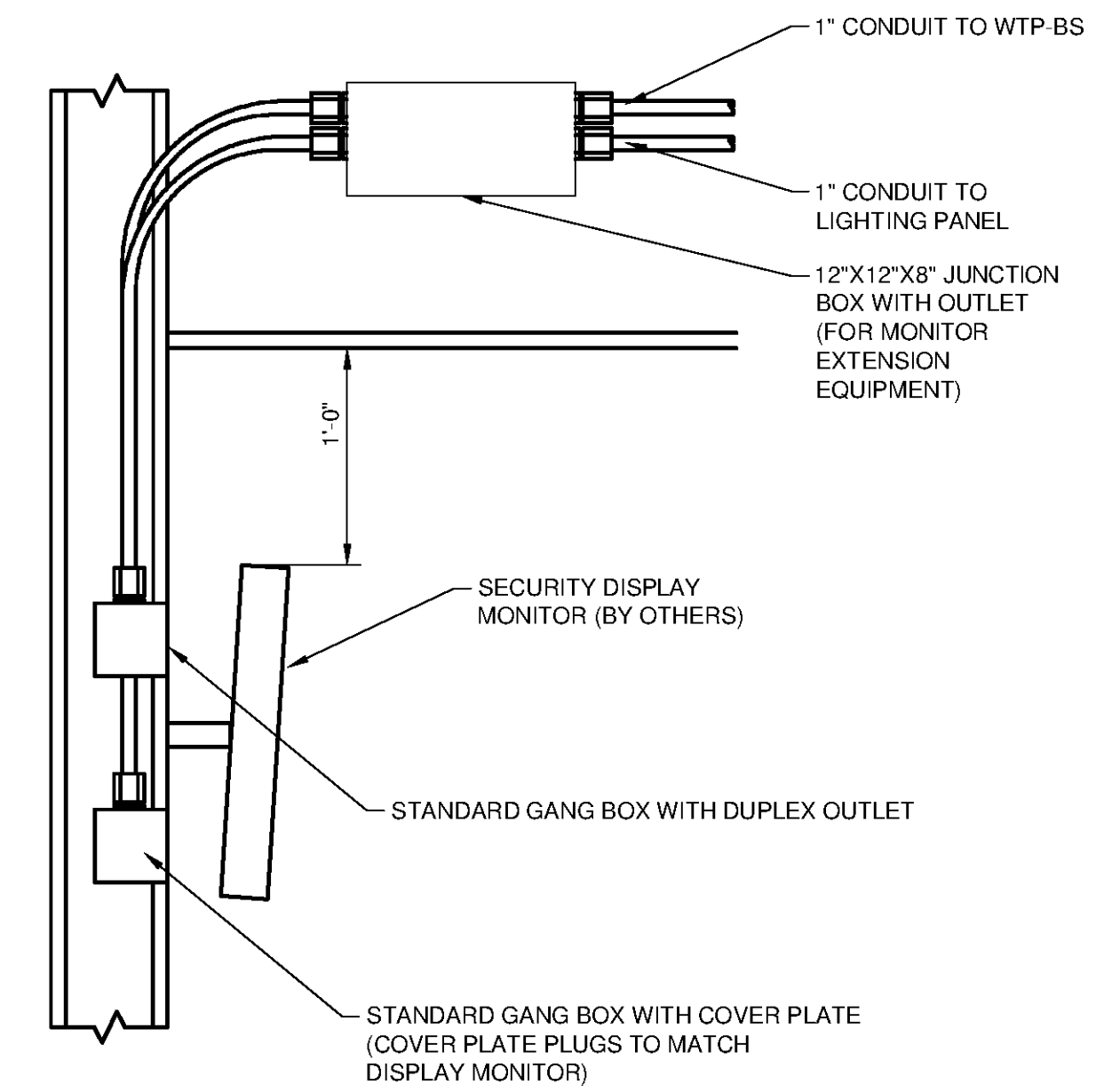
- STAINLESS STEEL SINGLE GANG  
 FACEPLATE  
 LEVITON PART #43080-1L6  
 (4) BLUE CAT. 6A QUICKPORT SNAP-IN  
 CONNECTOR  
 LEVITON PART #6110G-RL6 CAT 6A  
 (2) BLANK  
 LEVITON

**4-PORT FLUSH  
 MOUNT FACEPLATE DETAIL**  
 NO SCALE

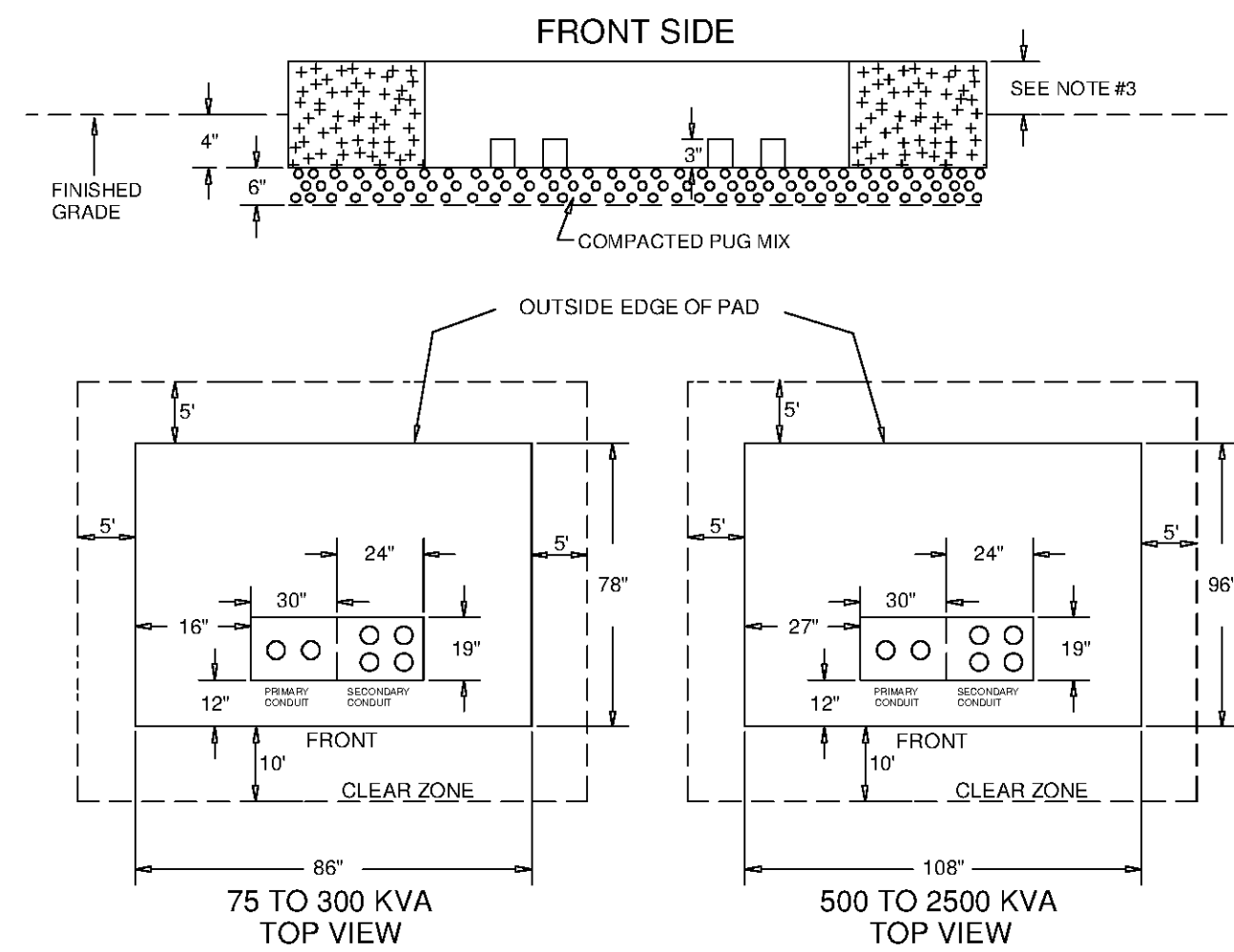


- NOTES:**  
 1. ALL CABLE, FACEPLATES, AND MODULES ARE PROVIDED AND INSTALLED BY THE COMMUNICATION CONTRACTOR.  
 2. ALL CONDUIT AND ELECTRICAL BOXES ARE PROVIDED BY THE ELECTRICAL CONTRACTOR.  
 3. THE COMMUNICATIONS CONTRACTOR IS RESPONSIBLE FOR THE INSTALLATION OF ALL COMMUNICATIONS EQUIPMENT INCLUDING TESTING AND LABELING.  
 4. NOT ALL APPLICATIONS WILL USE VERTICAL CONDUIT.  
 5. THE COMMUNICATIONS CONTRACTOR IS TO COORDINATE WITH THE ELECTRICAL CONTRACTOR FOR THE INSTALLATION OF COMMUNICATION EQUIPMENT.  
 6. WHENEVER 4 COMMUNICATION CABLES ARE TO BE INSTALLED IN A SINGLE FACE PLATE, A DOUBLE GANG BOX IS REQUIRED TO ENSURE PROPER BENDING RADII IS MAINTAINED. ANY DISCREPANCIES SHOULD BE REPORTED TO THE ELECTRICAL CONTRACTOR.

**WALL MOUNTED  
 COMMUNICATION OUTLET DETAIL**  
 NO SCALE

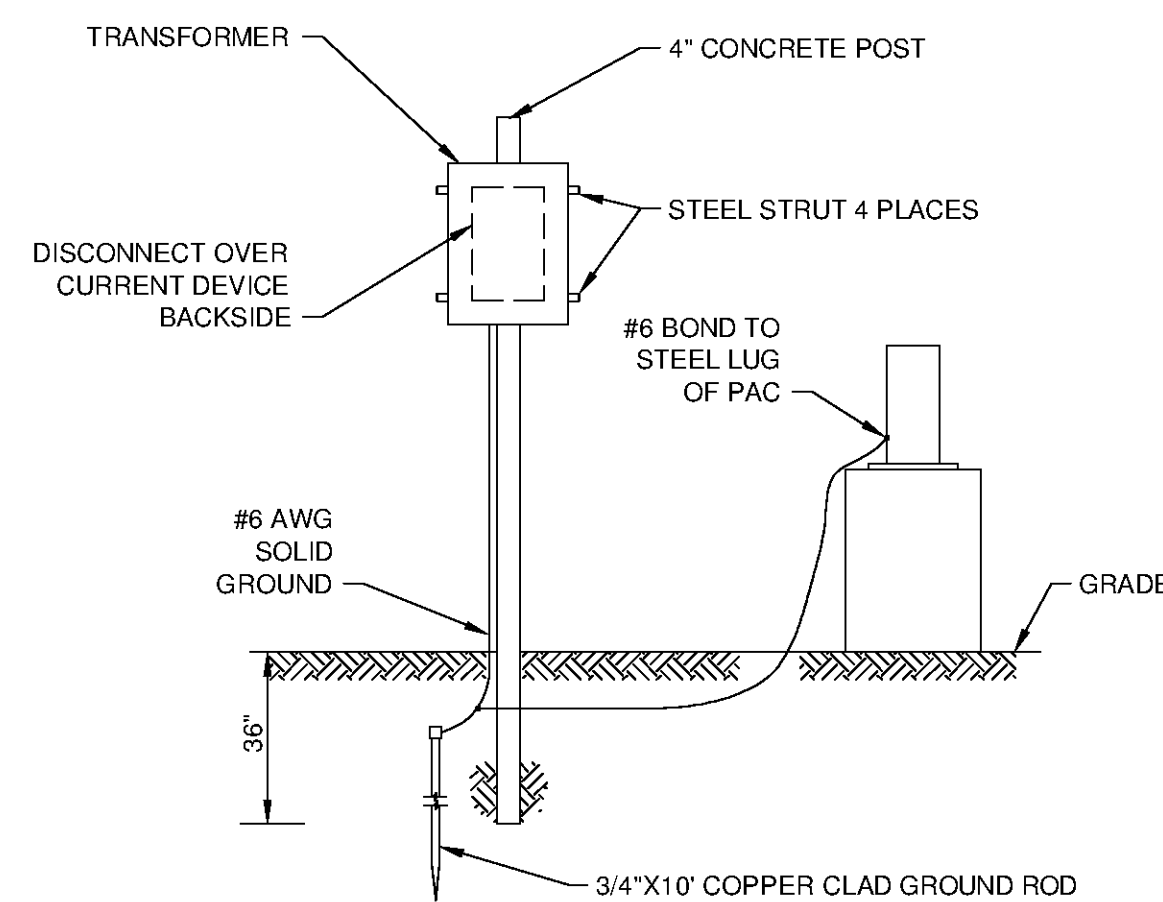


**FLUSH MOUNTED SECURITY  
 DISPLAY MONITOR DETAIL**  
 NO SCALE



- NOTES:**  
 1. FOR NUMBER AND SIZE OF PRIMARY CONDUITS, CONSULT JOB DRAWING. MORE THAN SIX SECONDARY CONDUITS REQUIRES SPECIAL PERMISSION HUNTSVILLE UTILITIES.  
 2. PADS MUST HAVE A BRUSHED OUTSIDE FINISH.  
 3. HEIGHT OF PAD WILL BE DETERMINED AT INITIAL JOB MEETING.  
 4. REBAR REQUIRED PER SPEC #UP-7.  
 5. GUARD POSTS MAY BE REQUIRED (AS DETERMINED BY A HUNTSVILLE UTILITES REPRESENTATIVE) SEE SPEC GP-1  
 6. NO SECONDARY CABLES MAY BE PULLED UNTIL TRANSFORMER IS PLACED.

**TRANSFORMER PAD DETAIL**  
 NO SCALE



**PAC POWER PEDISTAL DETAIL**  
 NO SCALE

MARK	DATE	DESCRIPTION	BY

HUNTSVILLE UTILITIES  
 SOUTHEAST WATER TREATMENT PLANT  
**ELECTRICAL DETAILS**

Project No.: 200-11740-10003  
 Designed By: CSW/AJK  
 Drawn By: TAC  
 Checked By: DAB

**E-9503**