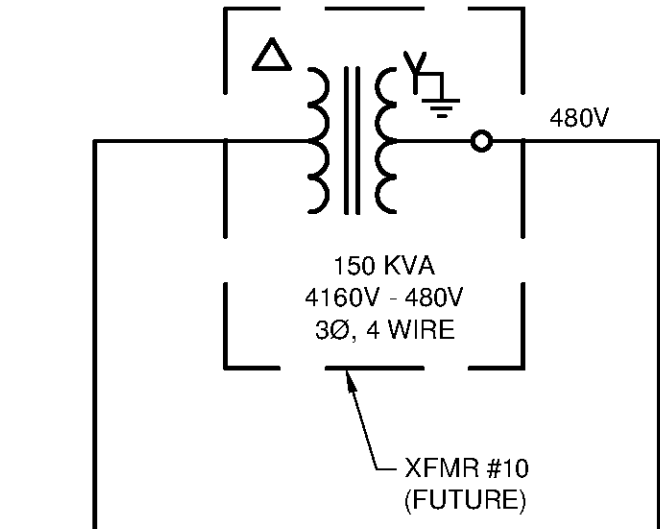


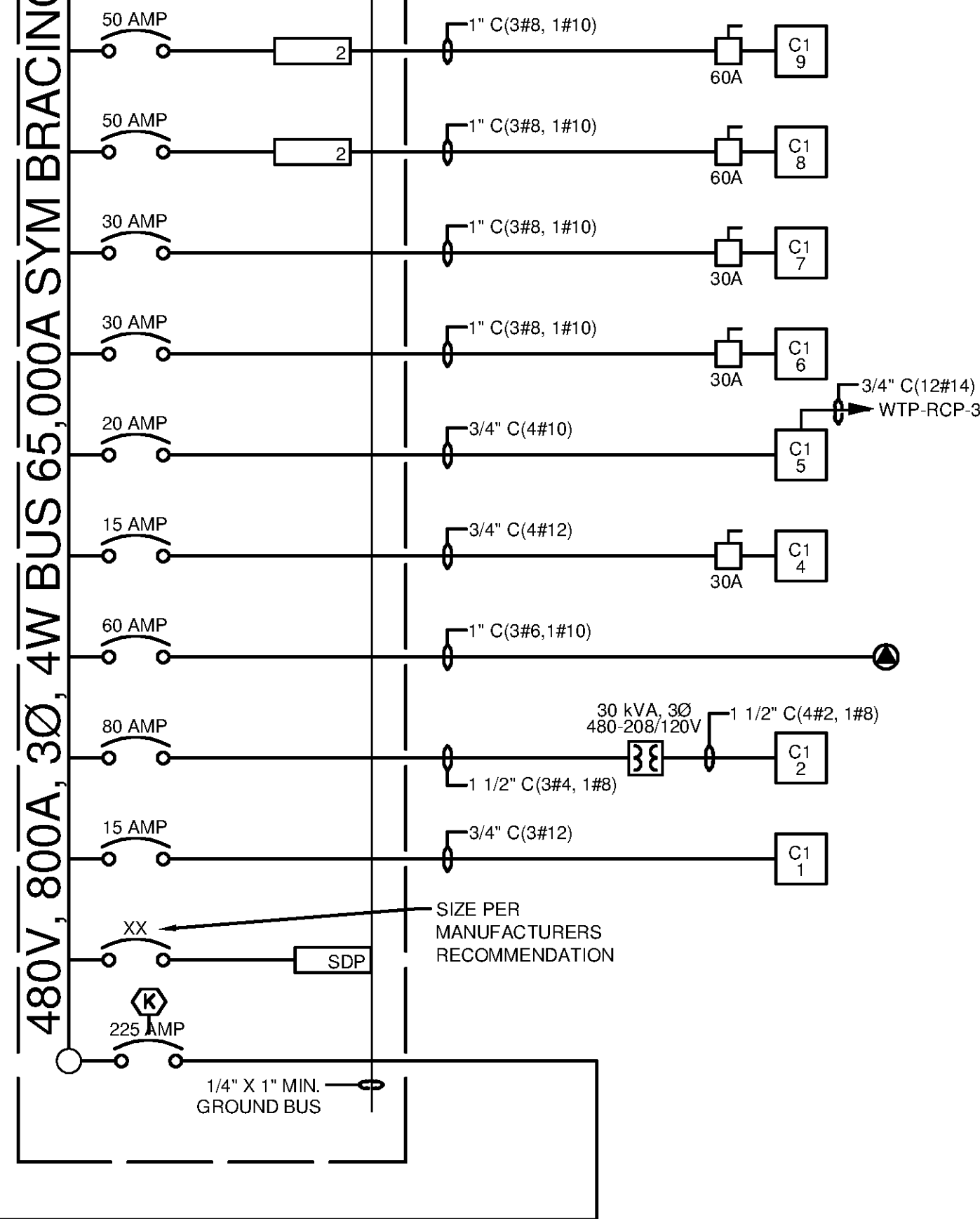
10/17/2014 11:02:12 AM - P:\IER\11740\200-11740-10003\CAD\SHEETFILES\TREATMENT PLANT\WTP E 8603 LOW VOLTAGE ONE-LINE.DWG - CALZARETTA, TIMOTHY



FROM
MVSG-D (12)

2-3" C (PULL STRING)

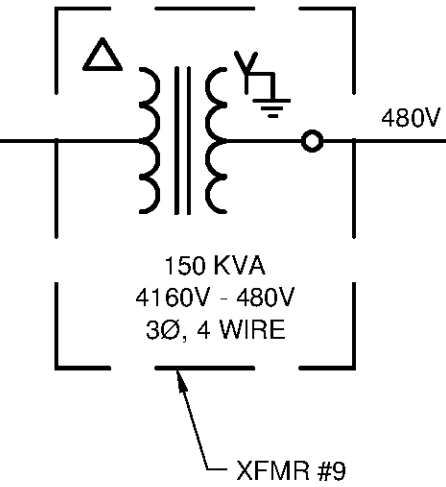
480V, 800A, 3Ø, 4W BUS 65,000A SYM BRACING



**MCC C1
ONE-LINE**

SCALE: N/A

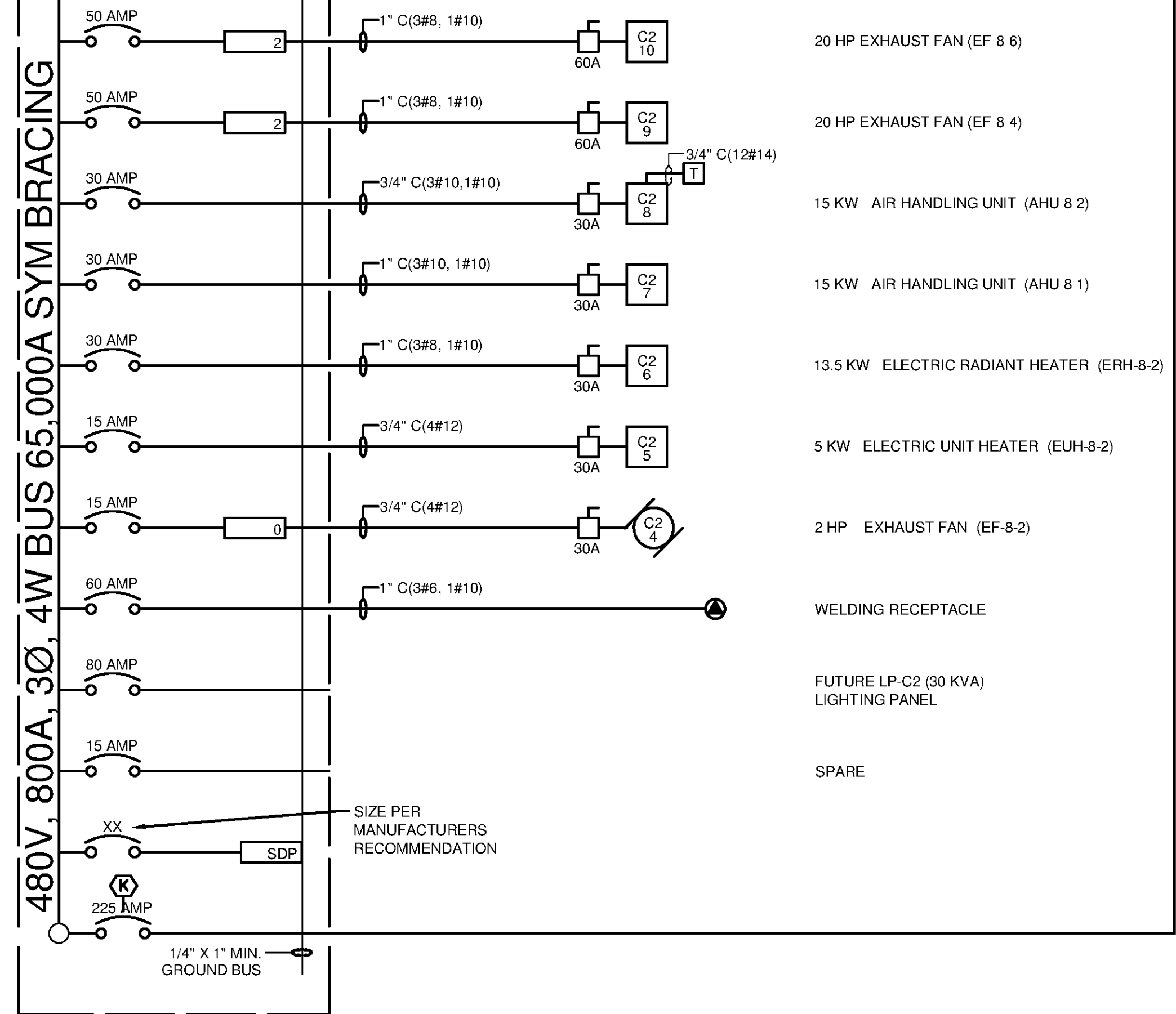
225 AMP



FROM
MVSG-D (11)

2-3" C (PULL STRING)

480V, 800A, 3Ø, 4W BUS 65,000A SYM BRACING



**MCC C2
ONE-LINE**

SCALE: N/A



BID SET



101 QUALITY CIRCLE, SUITE 140
HUNTSVILLE, ALABAMA 35806
PHONE: (256) 424-4077 FAX: (256) 424-4097

MARK	DATE	DESCRIPTION	BY

HUNTSVILLE UTILITIES
SOUTHEAST WATER TREATMENT PLANT
LOW VOLTAGE
ONE-LINE

Project No.: 200-11740-10003
Designed By: CSW
Drawn By: CSW
Checked By: DAB

E-8603

Copyright: Tetra Tech
Bar Measures 1 inch