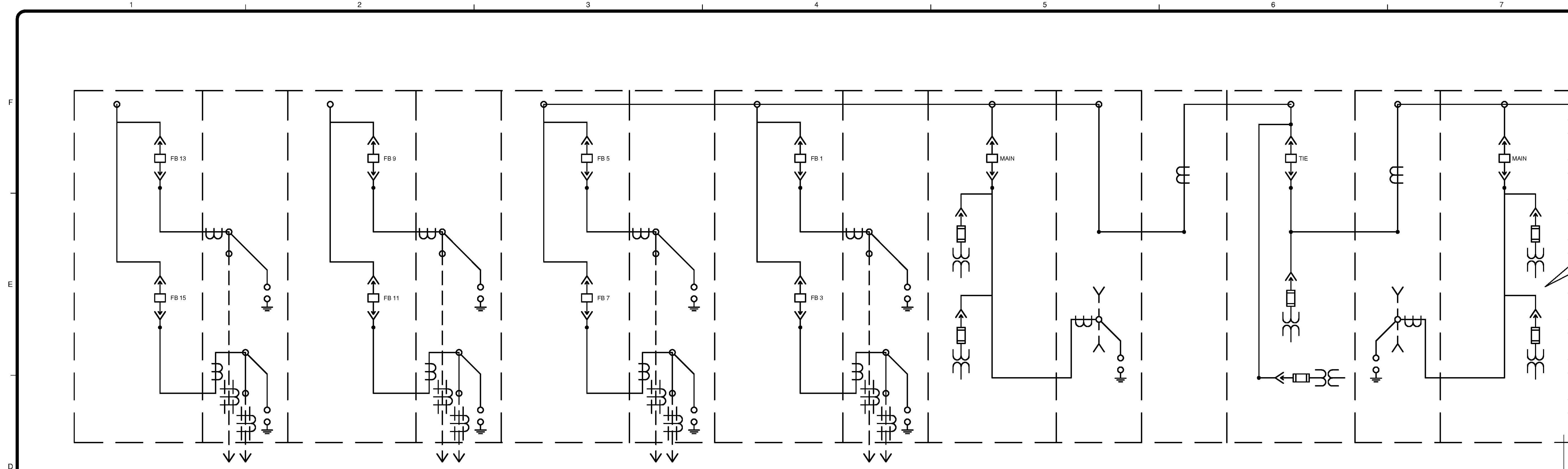
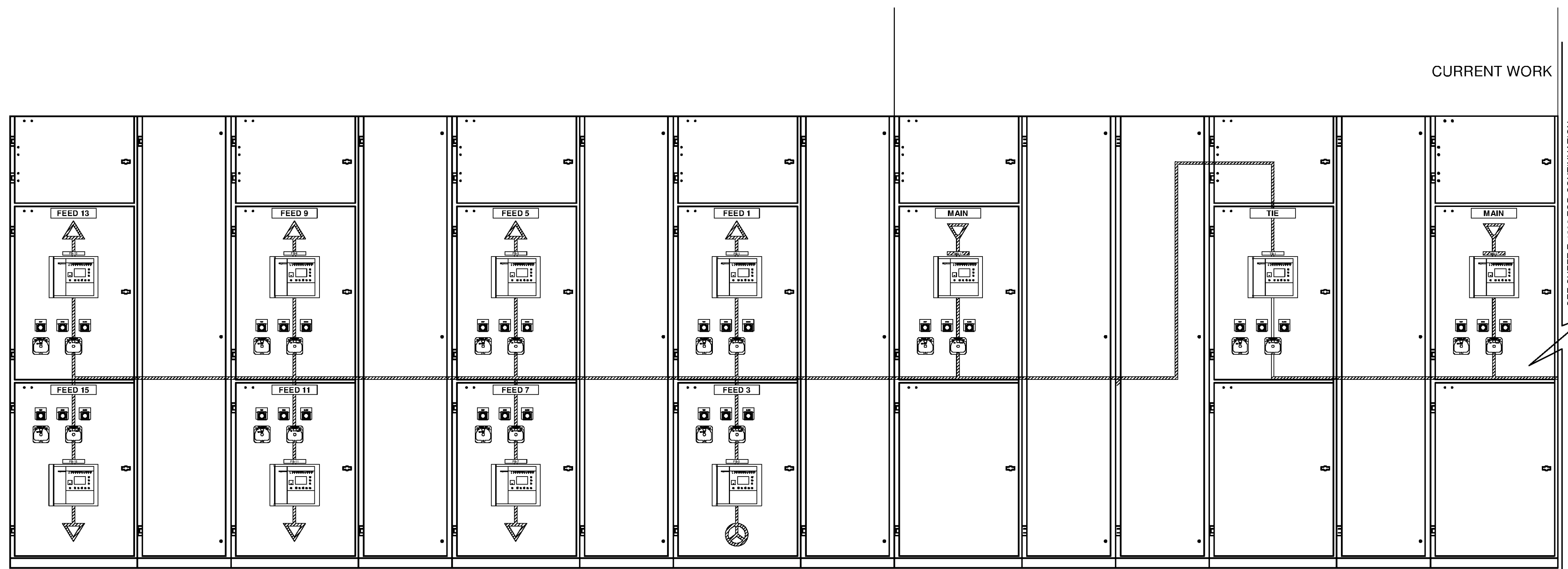


10/17/2014 10:59:41 AM - P:\IER\11740\200-11740-10003\CAD\SHEETFILES\TREATMENT PLANT\WTP-E-4301 ELECTRICAL SECTION VIEW.DWG - CALZARETTA, TIMOTHY



**MVSG-D  
SWITCHGEAR DIAGRAM**  
SCALE: NA



**MVSG-D  
MIMIC BOARD DIAGRAM**  
SCALE: NA

**TETRA TECH**  
www.tetrattech.com  
101 QUALITY CIRCLE, SUITE 140  
HUNTSVILLE, ALABAMA 35806  
PHONE: (256) 424-4077 FAX: (256) 424-4097

BID SET  
ALABAMA PROFESSIONAL ENGINEERS  
No. 21938  
PROFESSIONAL  
1955  
T. CALZARETTA  
REGISTERED PROFESSIONAL ENGINEER

MARK	DATE	DESCRIPTION

HUNTSVILLE UTILITIES  
SOUTHEAST WATER TREATMENT PLANT  
ELECTRICAL SECTION VIEW

Project No.: 200-11740-10003  
Designed By: CSW  
Drawn By: TAC  
Checked By: DAB

**E-4301**