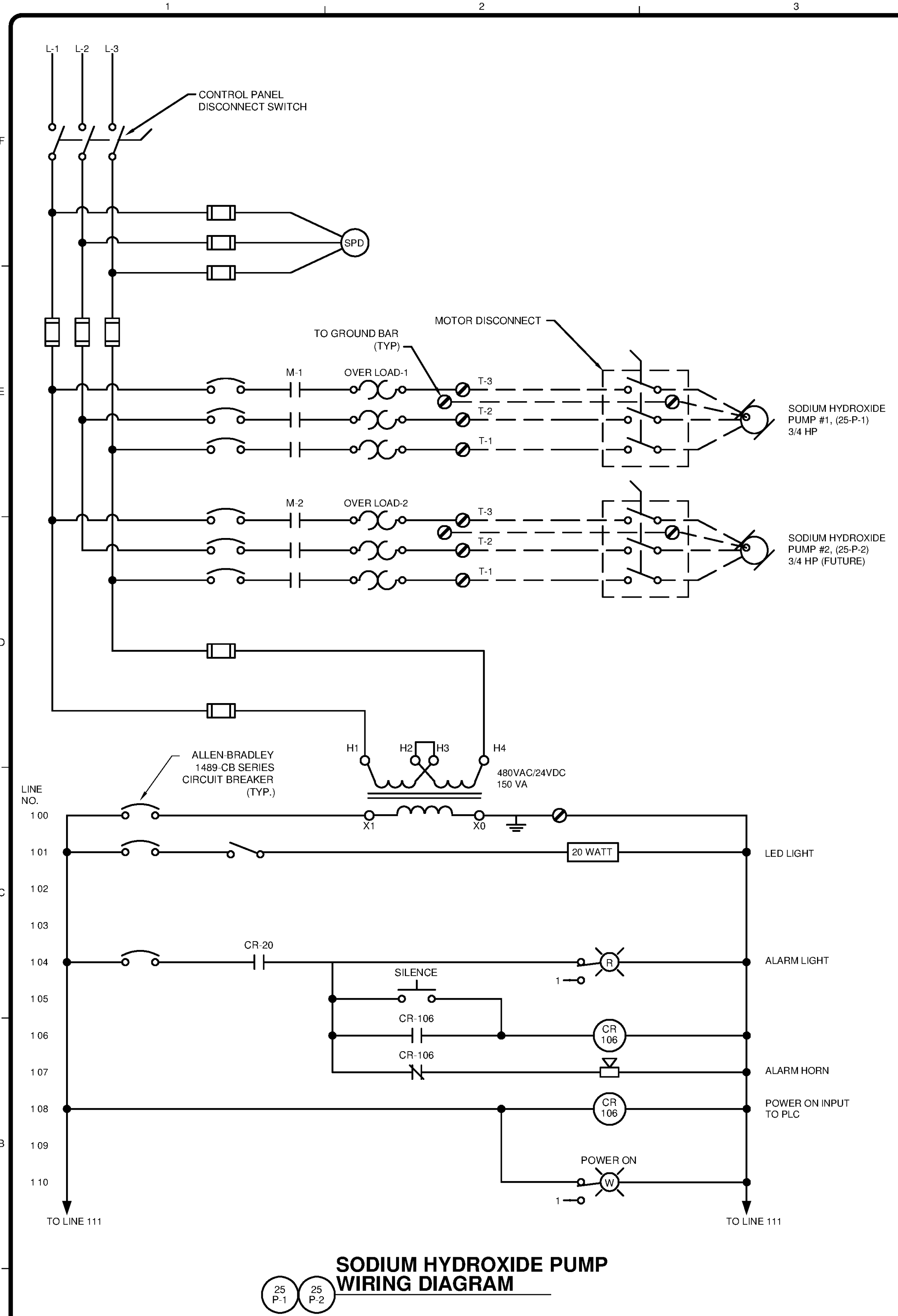
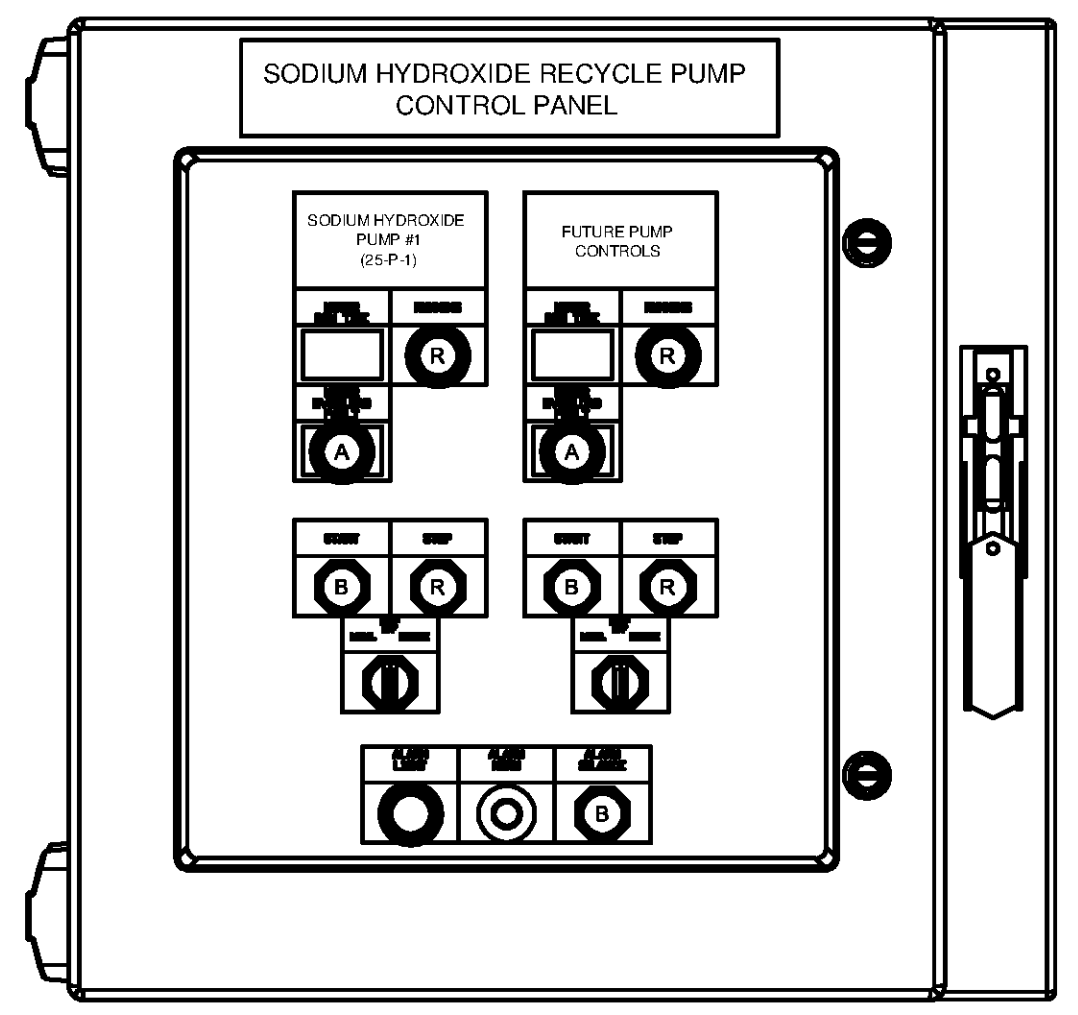
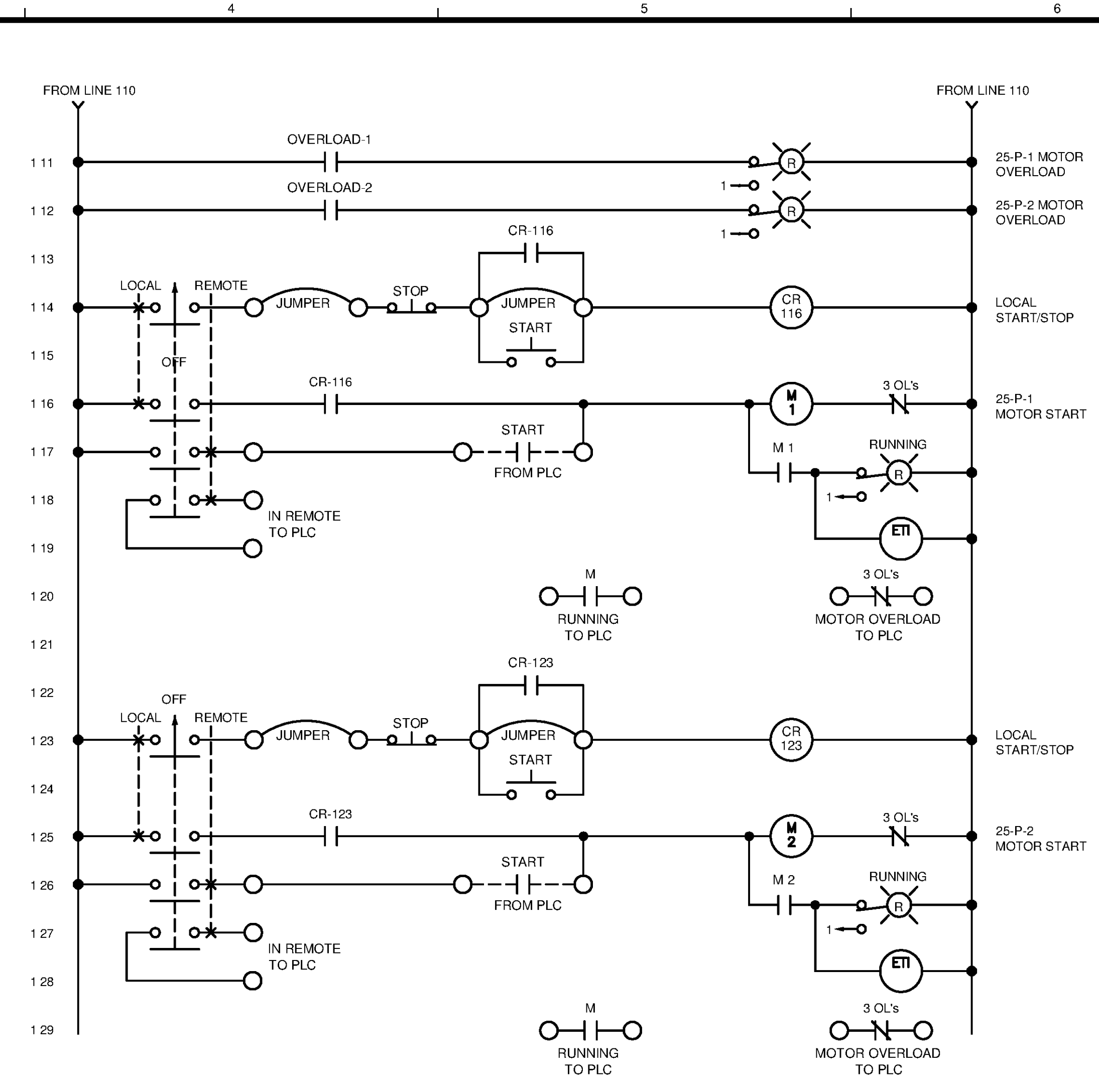


10/17/2014 10:55:55 AM - P:\IER\11740\200-11740-10003\CAD\SHEETFILES\TREATMENT PLANT\WTP E-062_E-0606 WIRING DIAGRAMS.DWG - CALZARETTA, TIMOTHY



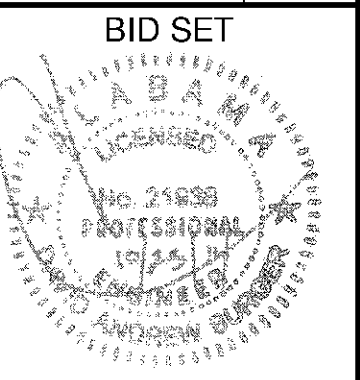
SODIUM HYDROXIDE PUMP WIRING DIAGRAM

25 P-1 25 P-2



SODIUM HYDROXIDE RECYCLE PUMP CONTROL PANEL LAYOUT

NEMA 4X NOTE: PANEL TO BE NEMA 4X, FIBERGLASS, MINIMUM SIZE TO BE 24X24X12"



MARK	DATE	DESCRIPTION	BY

HUNTSVILLE UTILITIES
SOUTHEAST WATER TREATMENT PLANT
WIRING SCHEMATICS

Project No.: 200-11740-10003
Designed By: CSW
Drawn By: CSW
Checked By: DAB

E-0610