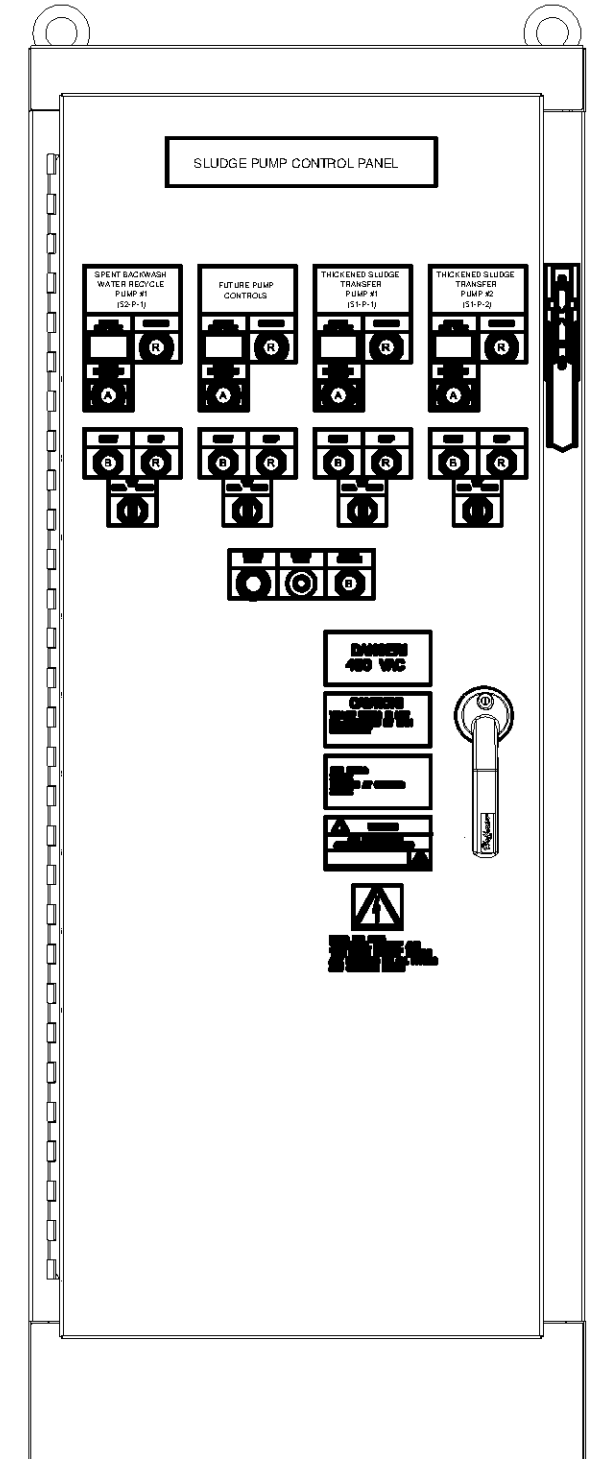
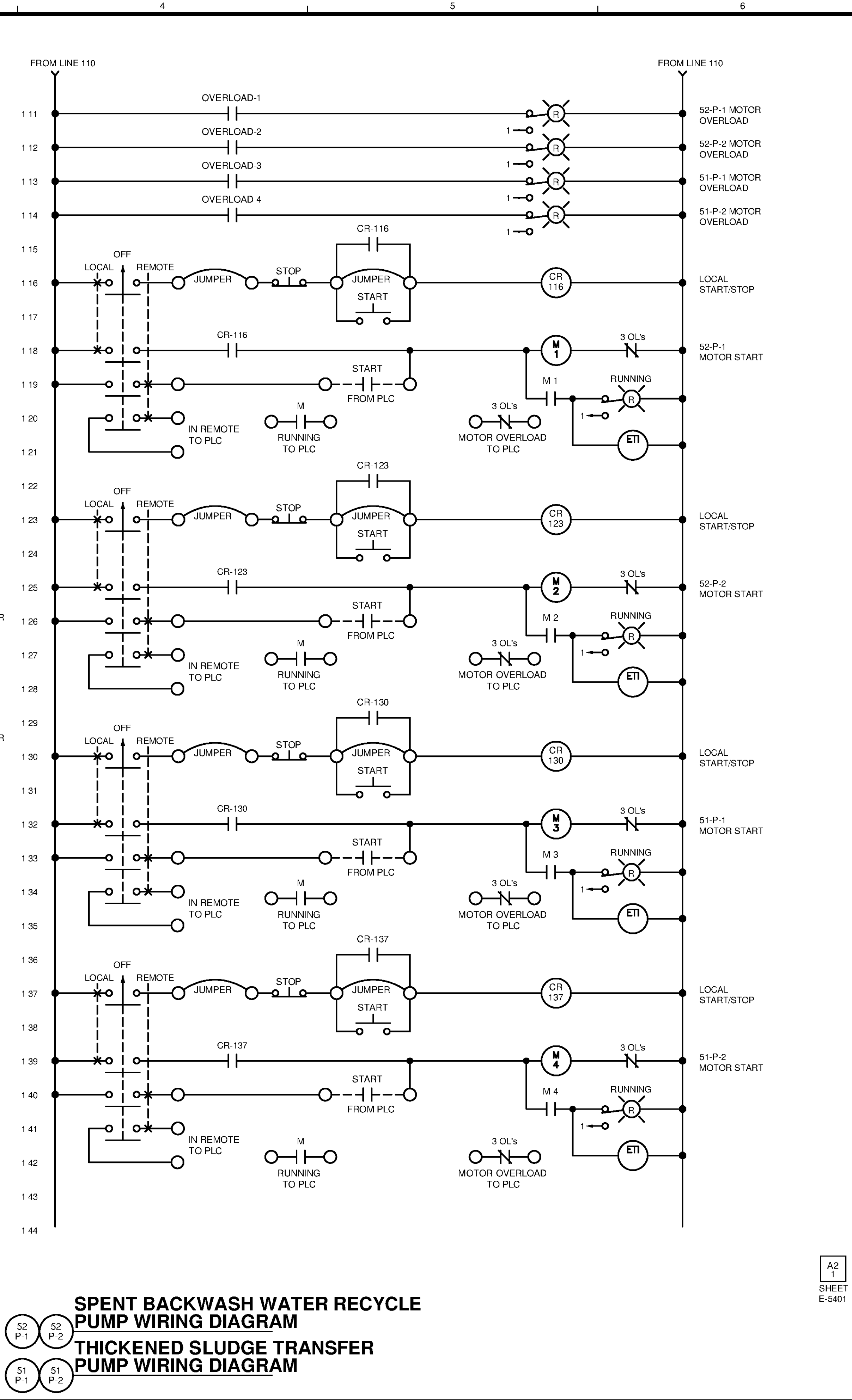
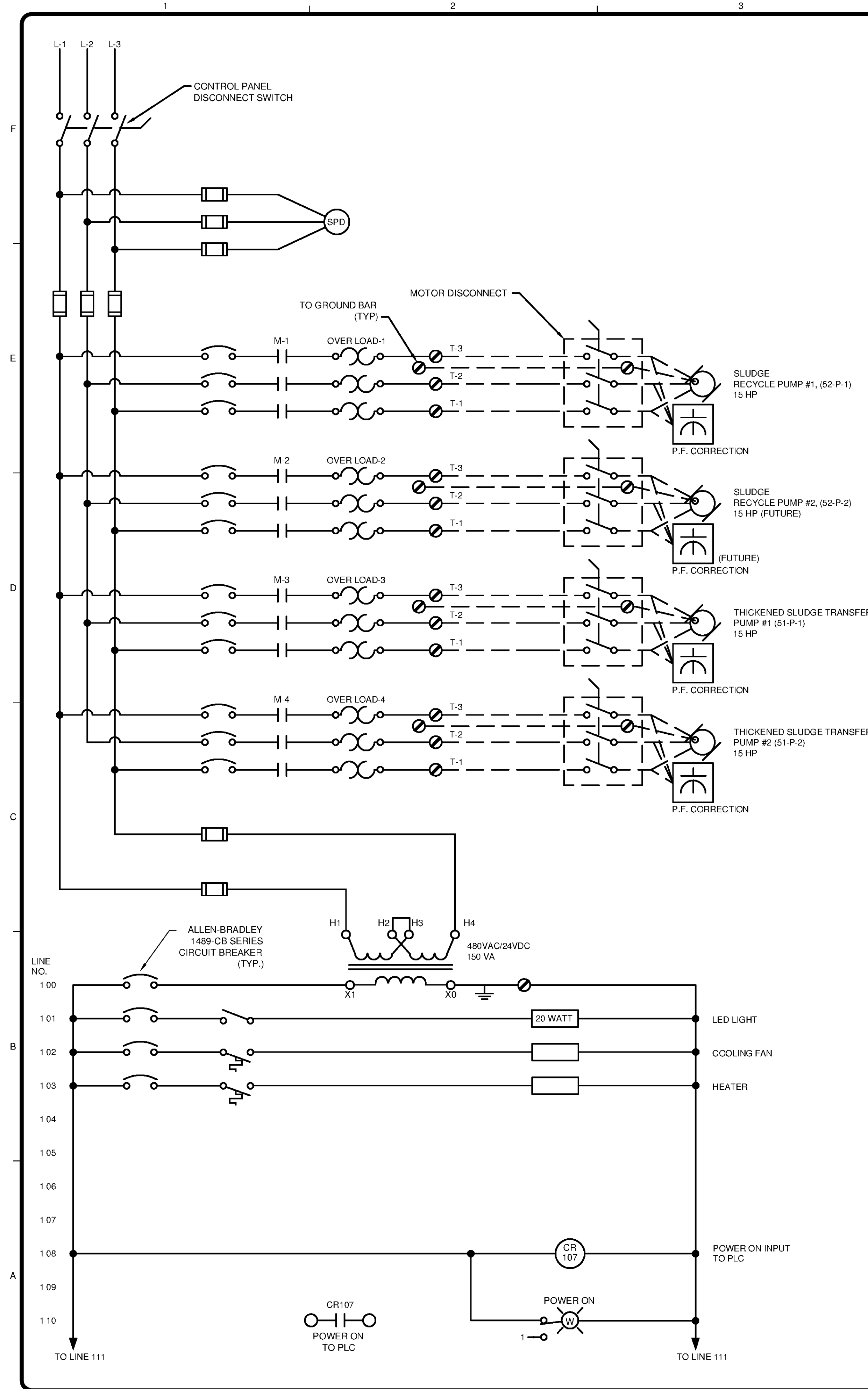


10/17/2014 10:55:50 AM - P:\IER11740\200-11740-10003\CAD\SHEETFILES\TREATMENT PLANT\WTP E-0602 E-0606 WIRING DIAGRAMS.DWG - CALZARETTA, TIMOTHY



SLUDGE PUMP CONTROL PANEL LAYOUT
 NEMA 4X NOTE: PANEL TO BE NEMA 4X, 12 GAUGE TYPE 304 STAINLESS STEEL, MINIMUM SIZE TO BE 72X28X18"

SPENT BACKWASH WATER RECYCLE PUMP WIRING DIAGRAM
THICKENED SLUDGE TRANSFER PUMP WIRING DIAGRAM

TETRA TECH

www.tetrattech.com

101 QUALITY CIRCLE, SUITE 140
HUNTSVILLE, ALABAMA 35806
PHONE: (256) 424-4077 FAX: (256) 424-4097

BID SET

| BY | DATE | DESCRIPTION |
|----|------|-------------|
| | | |
| | | |

HUNTSVILLE UTILITIES

SOUTHEAST WATER TREATMENT PLANT

WIRING SCHEMATICS

Project No.: 200-11740-10003

Designed By: CSW

Drawn By: CSW

Checked By: DAB

E-0609

Bar Measures 1 inch