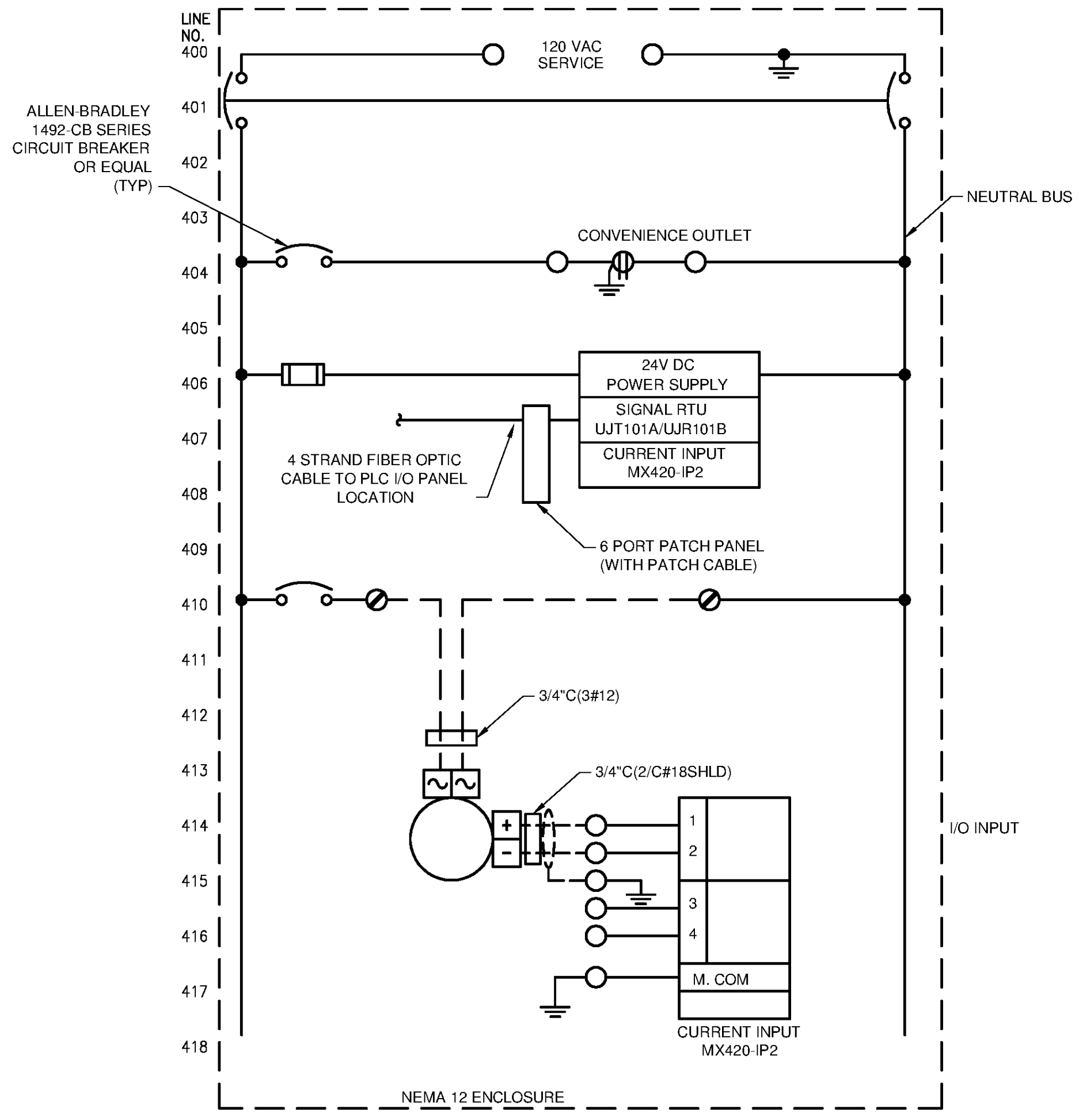
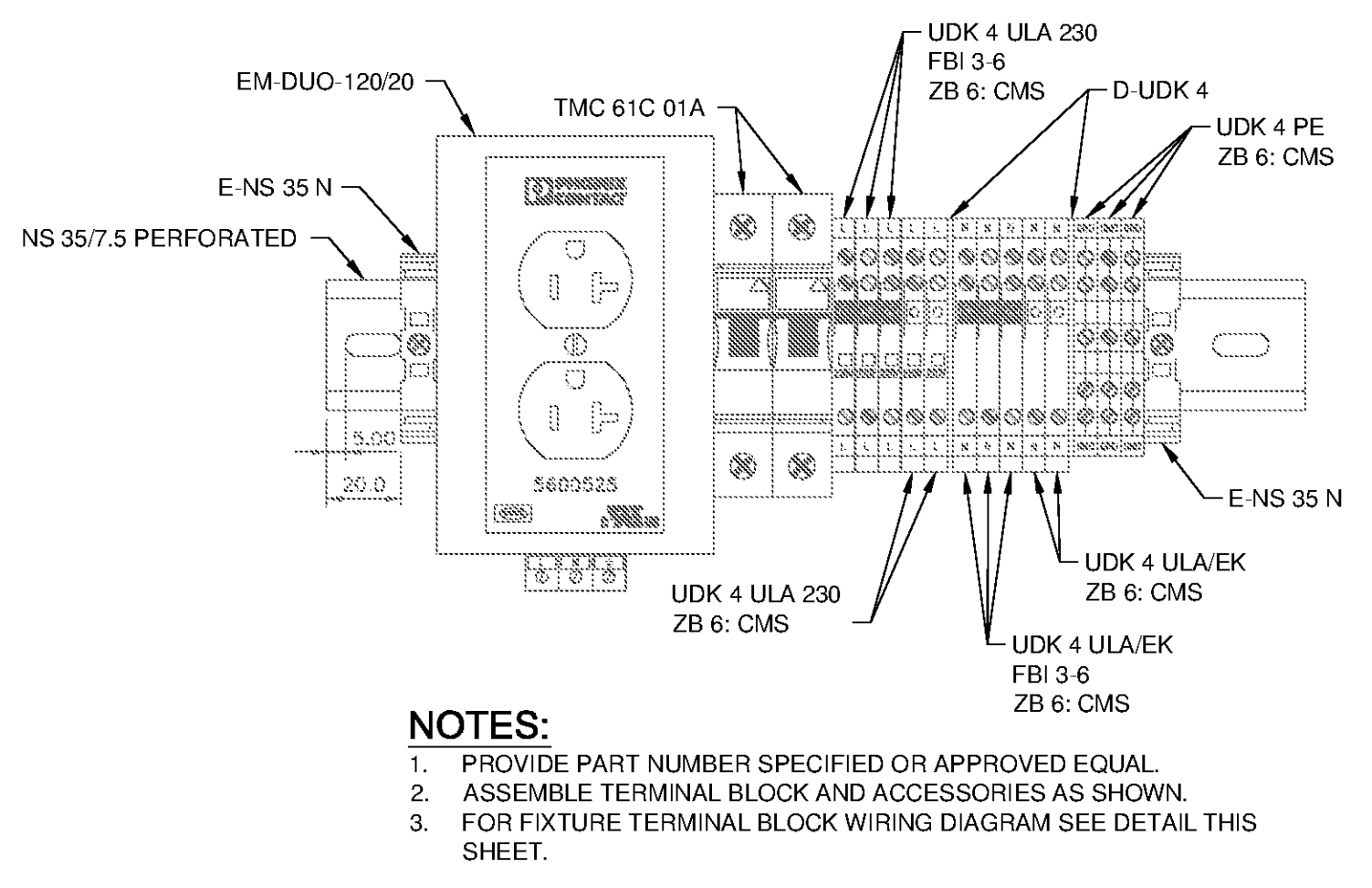


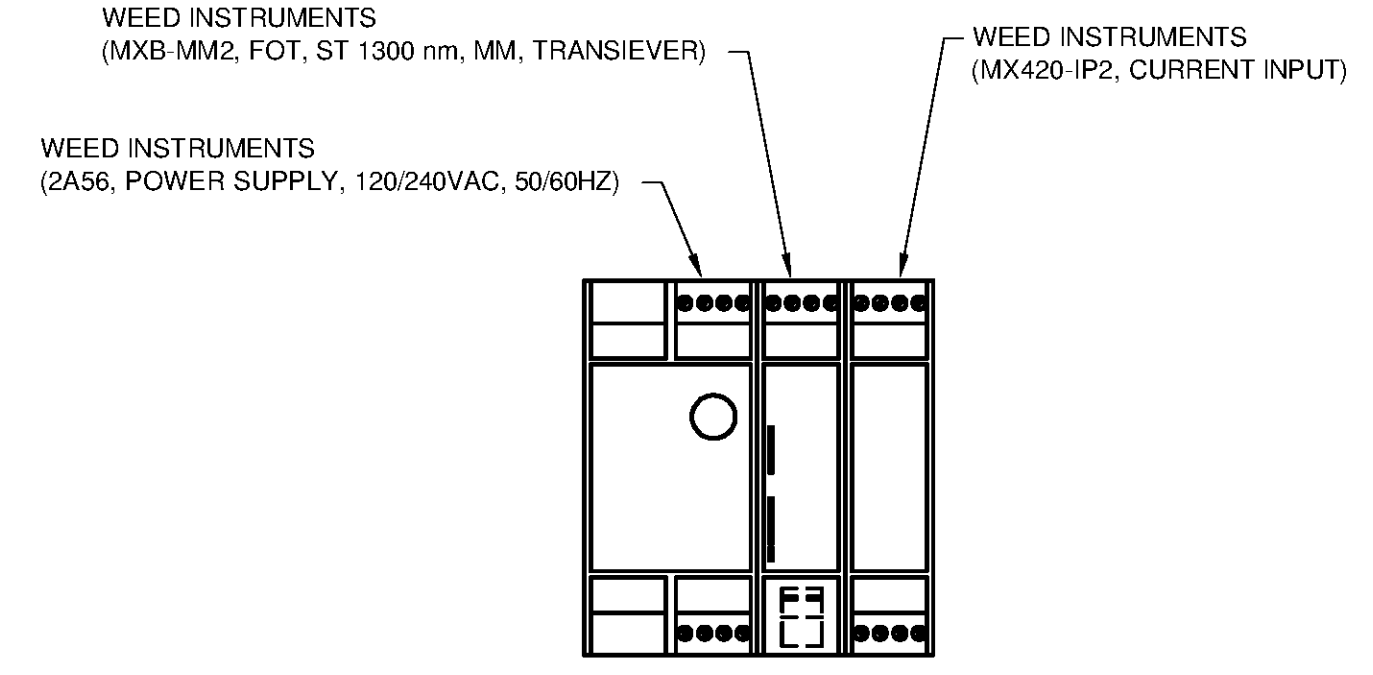
10/17/2014 10:55:45 AM P:\I\ER\11740\200-11740-10003\CAD\SHEETFILES\TREATMENT PLANT\WTP E 0602 E 0606 WIRING DIAGRAMS.DWG CALZARETTA, TIMOTHY



CURRENT TO FIBER CONTROL PANEL WIRING
NEMA 12 ENCLOSURE

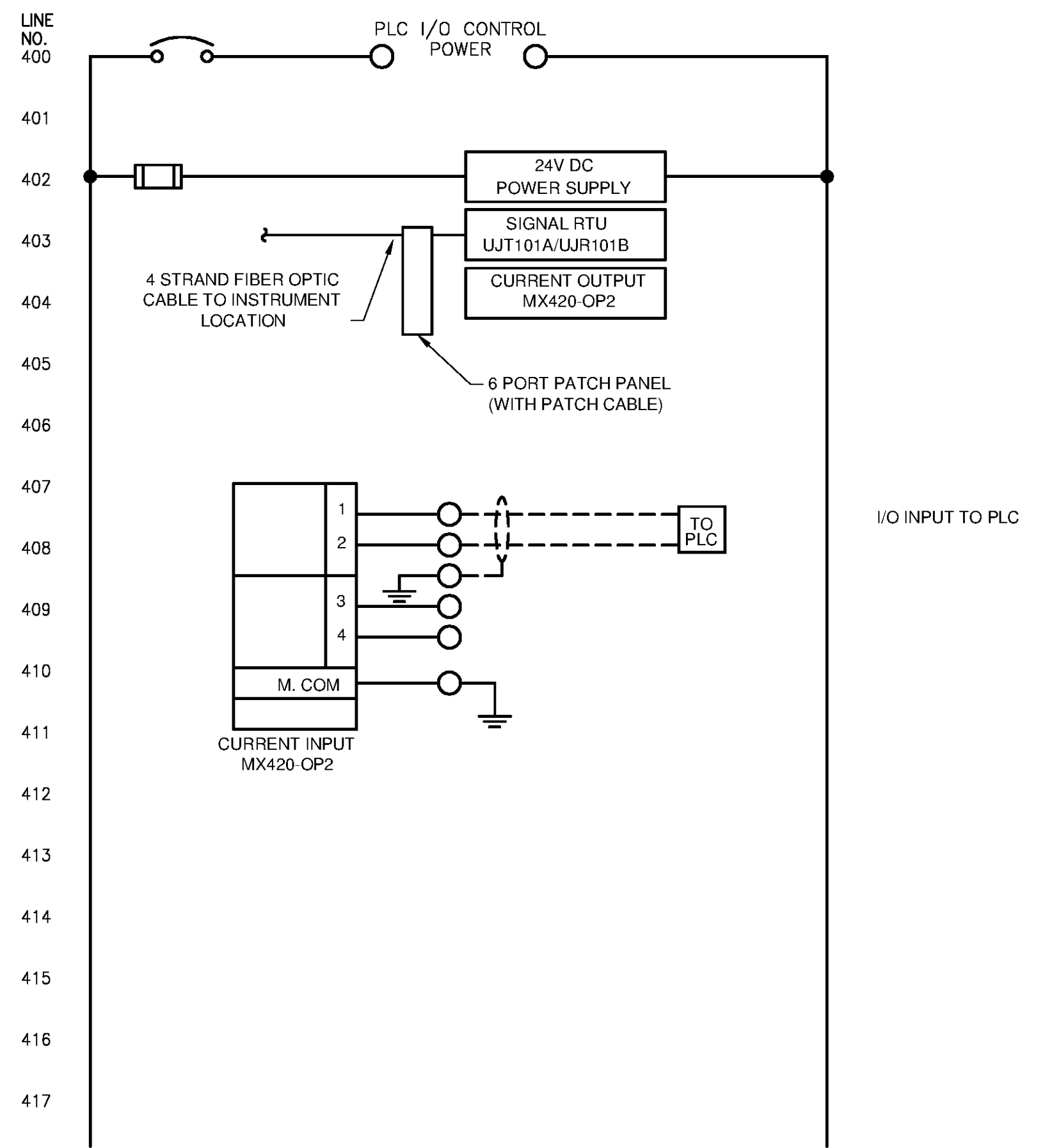


CURRENT TO FIBER CONTROL PANEL TB ASSEMBLY
SCALE: NA

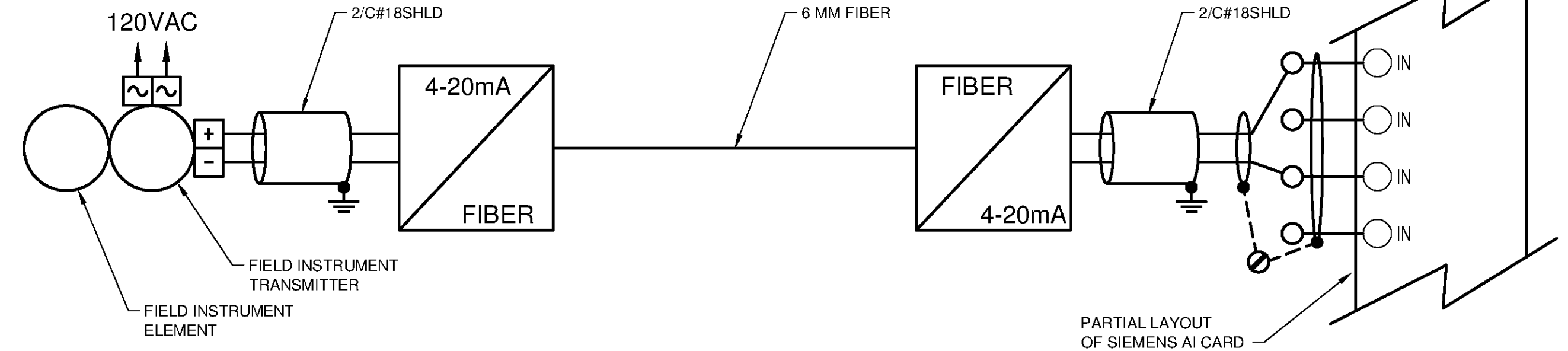


CURRENT TO FIBER MODULE LAYOUT
LOCATED NEAR INSTRUMENT

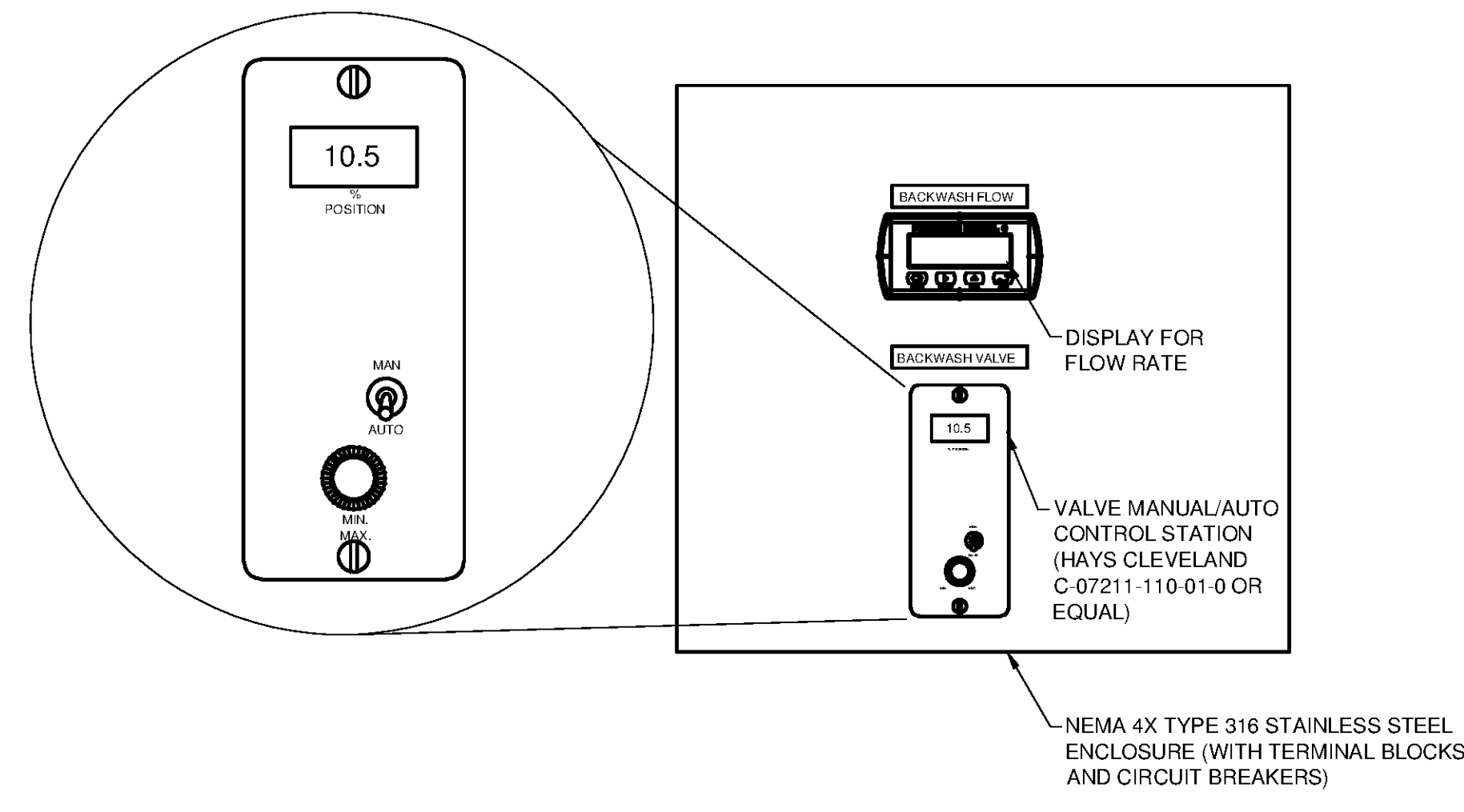
NOTES:
1. PROVIDE PART NUMBER SPECIFIED OR APPROVED EQUAL.
2. INSTALL WEED INSTRUMENTS MODULES INSIDE CONTROL PANEL AT INSTRUMENT LOCATION AS INDICATED.



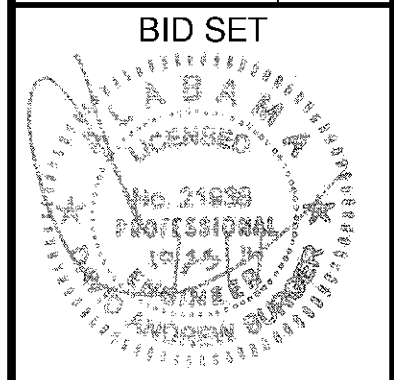
PLC I/O WIRING DIAGRAM
SCALE: NA



CURRENT TO FIBER RISER DIAGRAM
SCALE: NA



BACKWASH VALVE MANUAL CONTROL STATION
SCALE: NA (SEE SHEETS E-2402, E-3401, E-9512)



| MARK | DATE | DESCRIPTION | BY |
|------|------|-------------|----|
| | | | |
| | | | |
| | | | |
| | | | |
| | | | |
| | | | |
| | | | |

HUNTSVILLE UTILITIES
SOUTHEAST WATER TREATMENT PLANT
WIRING SCHEMATICS

Project No.: 200-11740-10003
Designed By: CSQ
Drawn By: WAP
Checked By: DAB

E-0608

Copyright: Tetra Tech

Bar Measures 1 inch