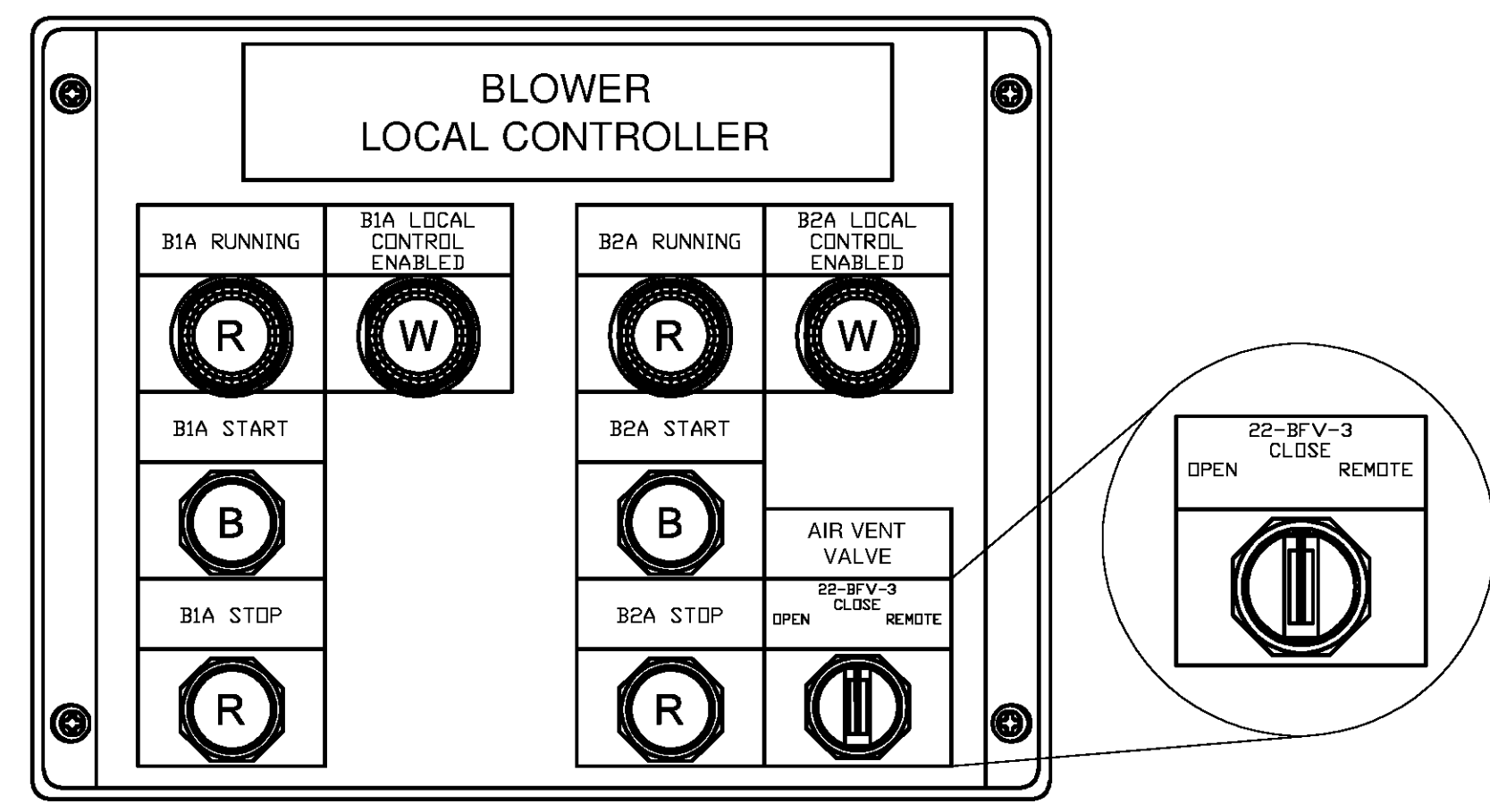
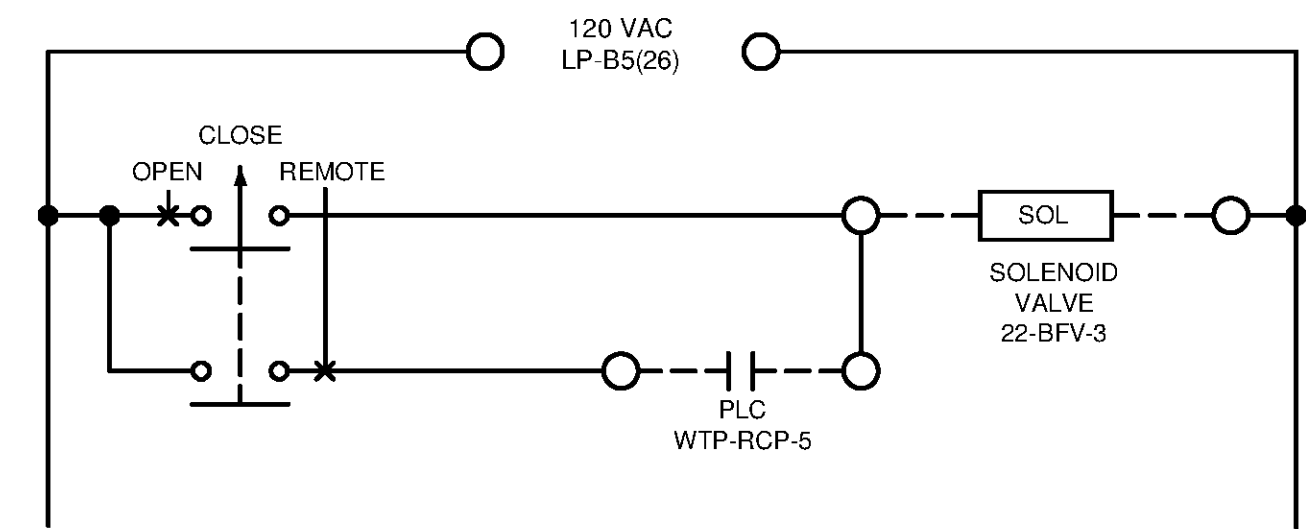
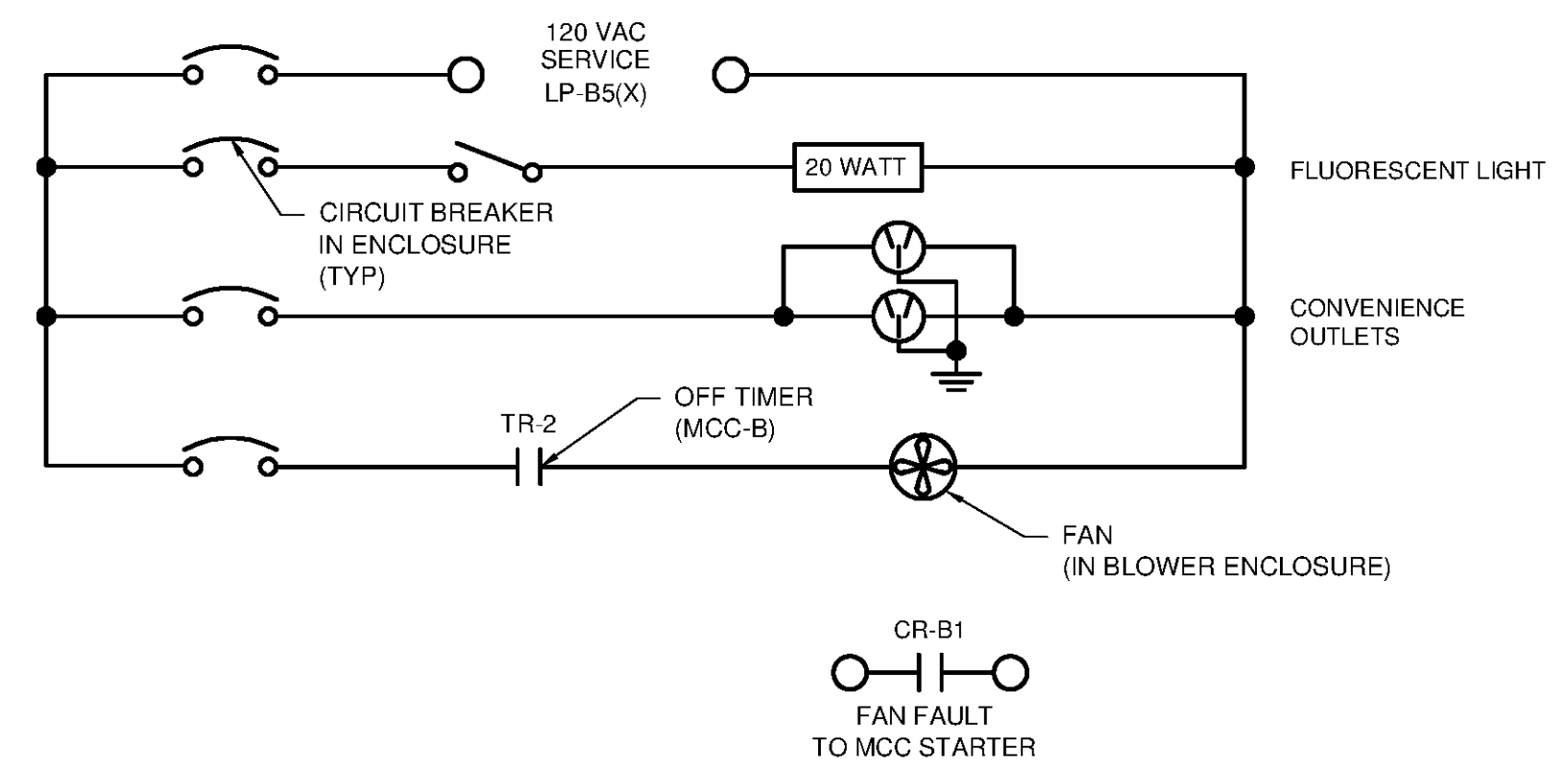
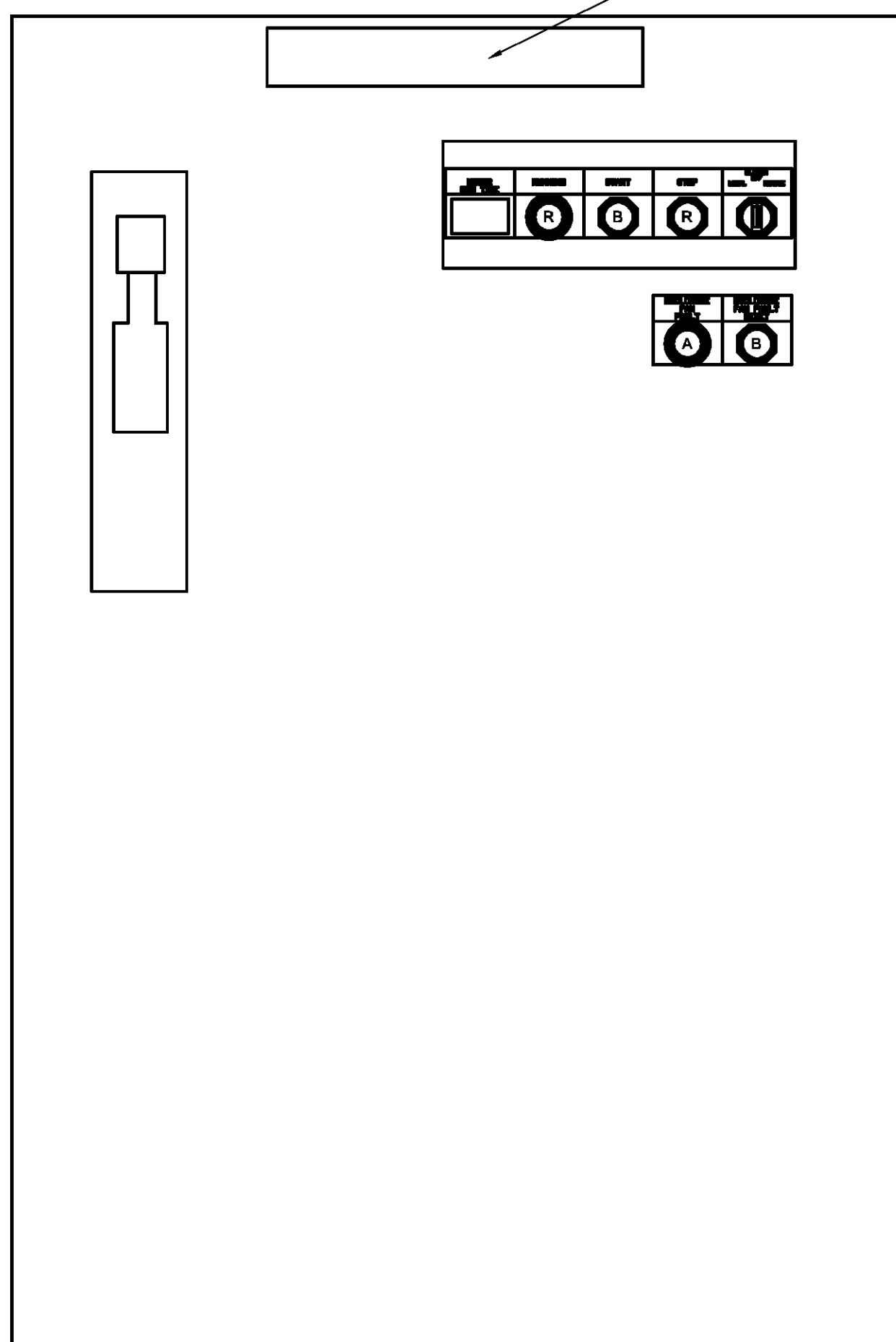
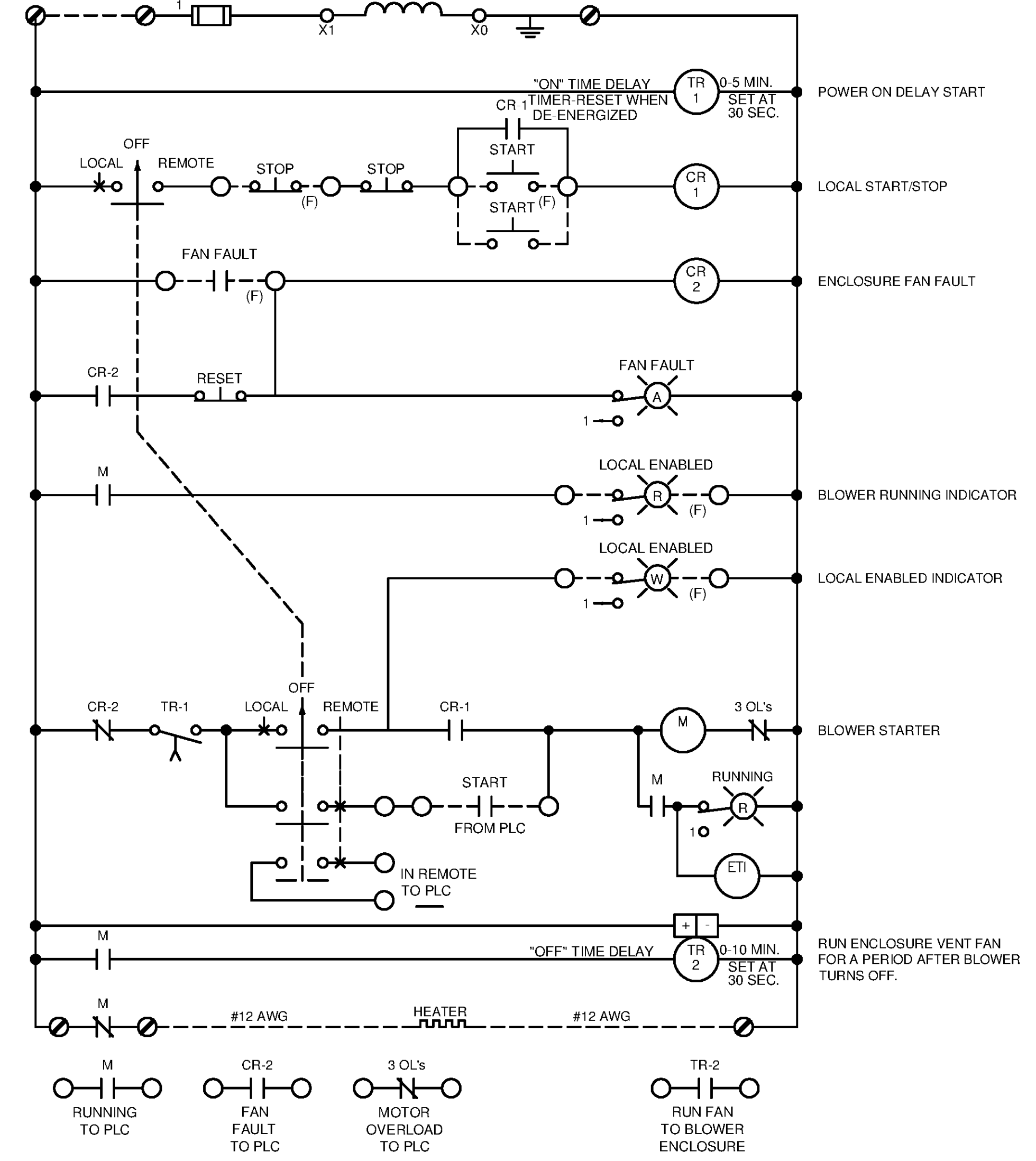
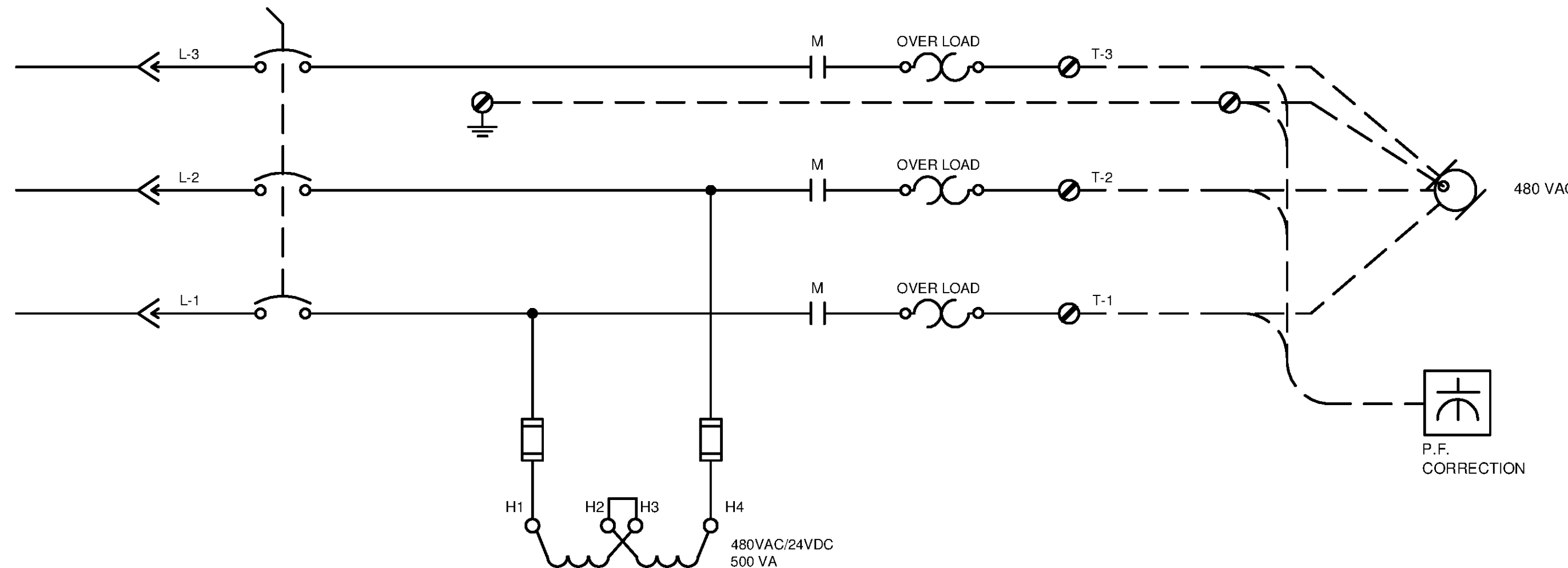


10/17/2014 10:55:30 AM - P:\ER11740\200-11740-10003\CAD\SHEETFILES\TREATMENT PLANT\WTP E-0606 E-0606 WIRING DIAGRAMS.DWG - CALZARETTA, TIMOTHY



10/17/2014 10:55:30 AM - P:\ER11740\200-11740-10003\CAD\SHEETFILES\TREATMENT PLANT\WTP E-0606 E-0606 WIRING DIAGRAMS.DWG - CALZARETTA, TIMOTHY

TETRA TECH

www.tetrattech.com

101 QUALITY CIRCLE, SUITE 140
HUNTSVILLE, ALABAMA 35806
PHONE: (256) 424-4077 FAX: (256) 424-4097

BY	DATE	DESCRIPTION

HUNTSVILLE UTILITIES
SOUTHEAST WATER TREATMENT PLANT

WIRING SCHEMATICS

Project No.: 200-11740-10003

Designed By: CSW

Drawn By: TAC

Checked By: DAB

E-0606

Copyright: Tetra Tech

Bar Measures 1 inch