

HUNTSVILLE UTILITIES WTP

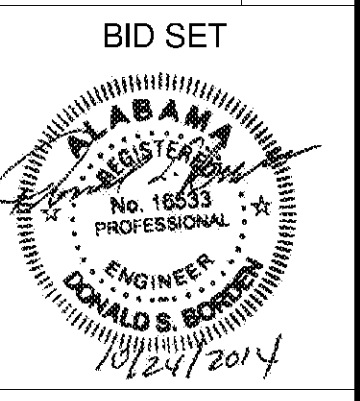
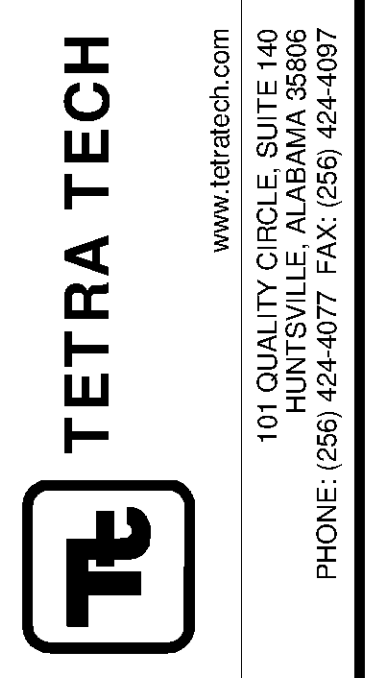
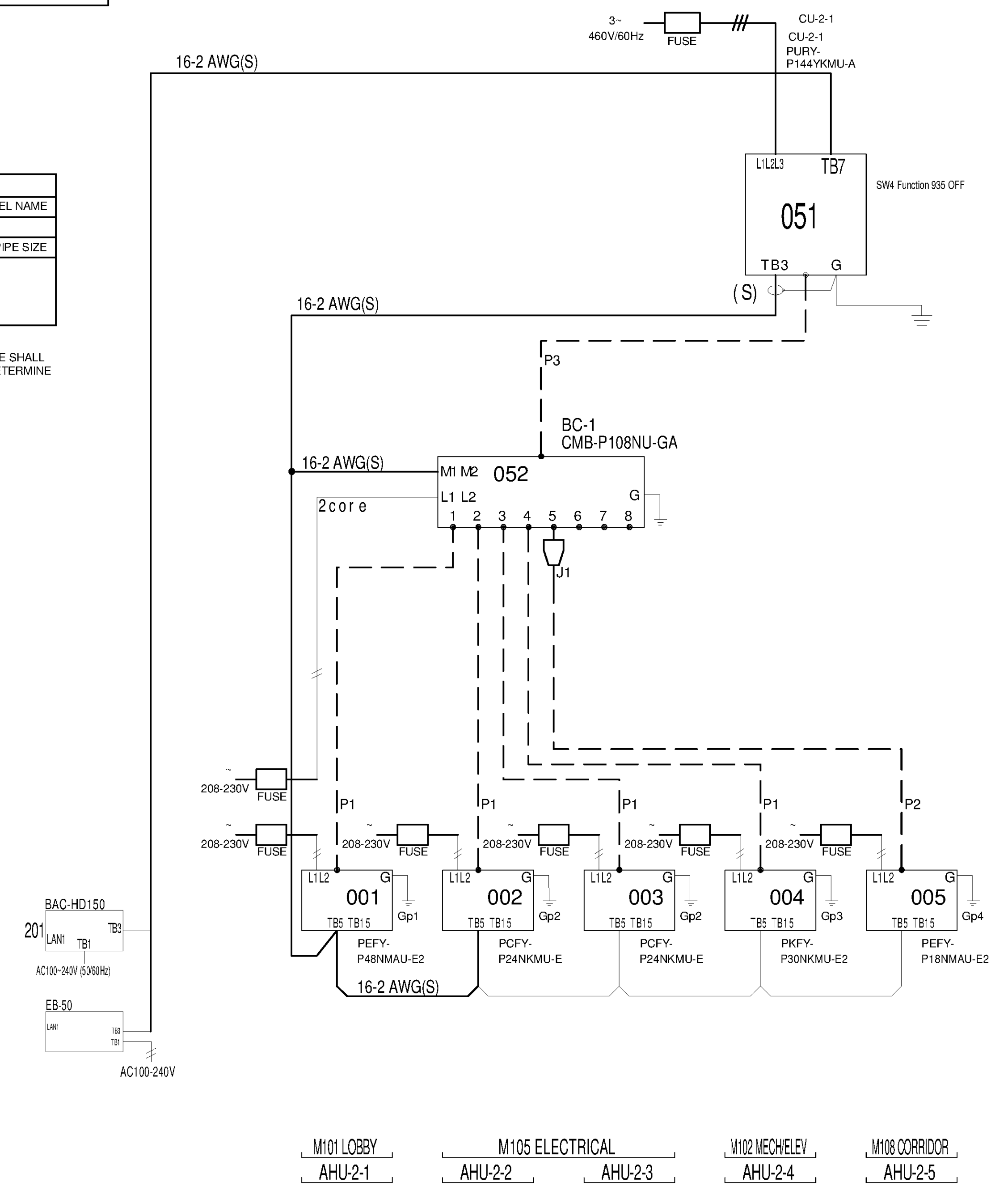
CITY MULTI  
SYSTEM SCHEMATIC DWG.

ADDITIONAL REFRIGERANT CHARGE IS NEEDED DEPENDING ON THE SIZE AND LENGTH OF EXTENDED PIPING.  
PLEASE REFER THE AMOUNT OF PRE-CHARGE AND THE FORMULA OF CALCULATION WHICH IS MENTIONED ON  
THE DATA BOOK.  
1.25mm<sup>2</sup>(16 AWG) : 1.25mm<sup>2</sup>(16 AWG) OR MORE. 0.75mm<sup>2</sup>(20 AWG) : BETWEEN 0.5mm<sup>2</sup>(24 AWG) AND 0.75mm<sup>2</sup>(20 AWG).

| DIAGRAM SYMBOL LEGEND |              |
|-----------------------|--------------|
| DISPLAY               | DESCRIPTION  |
|                       | POWER WIRE   |
|                       | CONTROL WIRE |
|                       | REF. PIPE    |

| PIPING LIST                      |                        |
|----------------------------------|------------------------|
| SYMBOL                           | BRANCH PIPE MODEL NAME |
| J1                               | REDUCER                |
| SYMBOL LIQUID PIPE/GAS PIPE SIZE |                        |
| P1                               | 3/8 / 5/8              |
| P2                               | 1/4 / 1/2              |
| P3                               | 7/8 / 1-1/8            |

NOTE:  
MITSUBISHI REPRESENTATIVE SHALL  
RUN FINAL SELECTION TO DETERMINE  
REFRIGERANT PIPE SIZES.



| MARK | DATE | DESCRIPTION | BY |
|------|------|-------------|----|
|      |      |             |    |
|      |      |             |    |
|      |      |             |    |
|      |      |             |    |

HUNTSVILLE UTILITIES  
SOUTHEAST WATER TREATMENT PLANT  
MECHANICAL HVAC  
CONTROLS

|              |                 |
|--------------|-----------------|
| Project No.: | 200-11740-10003 |
| Designed By: | SBR             |
| Drawn By:    | SBR             |
| Checked By:  | DSB             |

**M-9901**