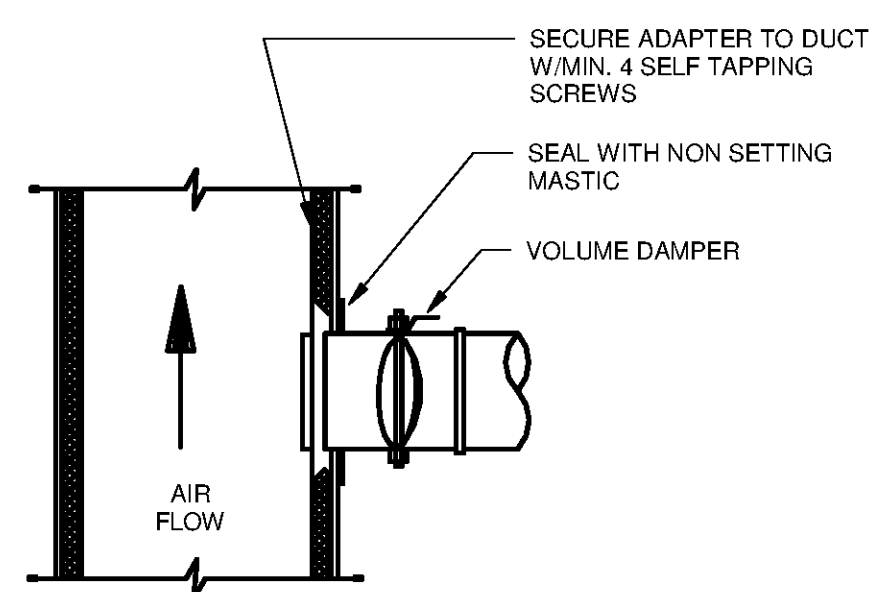
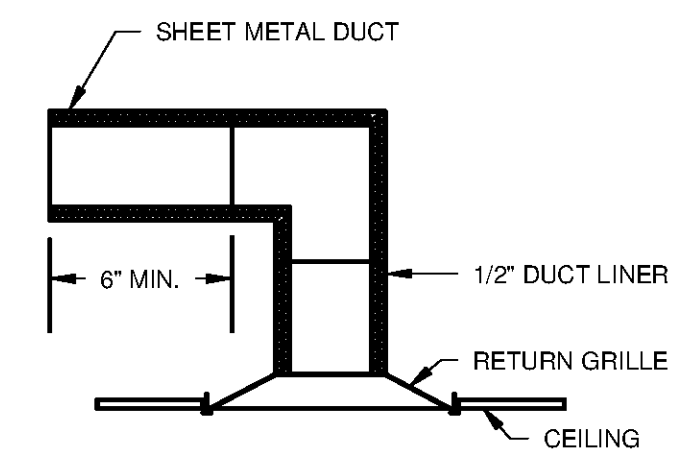


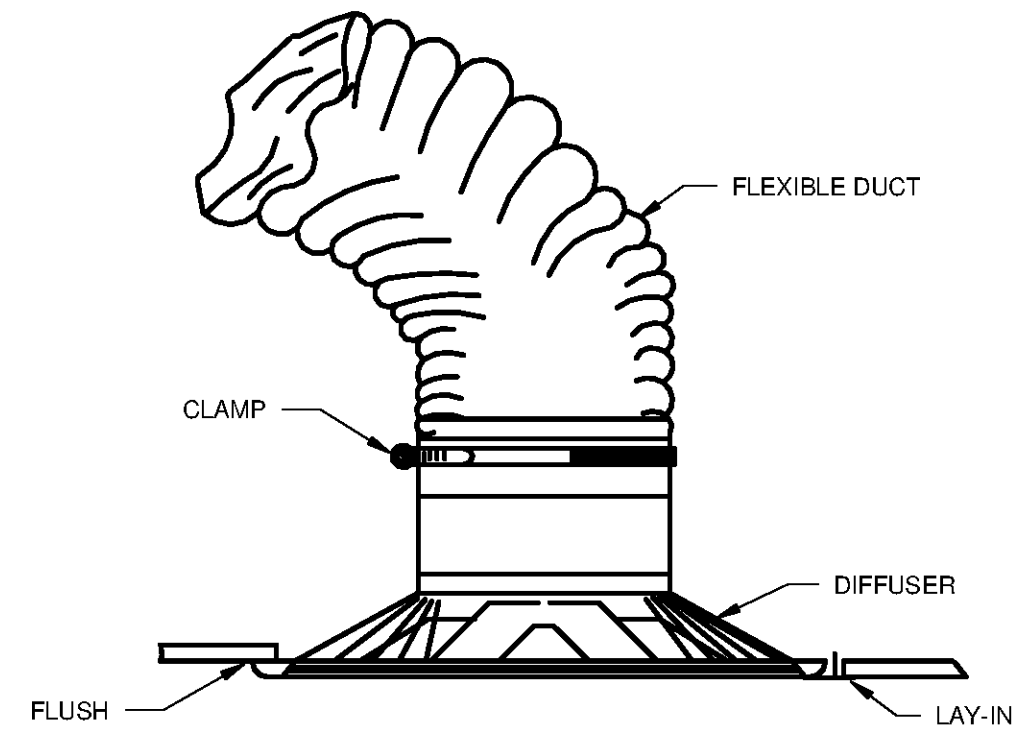
**1 BRANCH DUCT TAKE-OFF AND DAMPER DETAIL**  
SCALE: N.T.S.



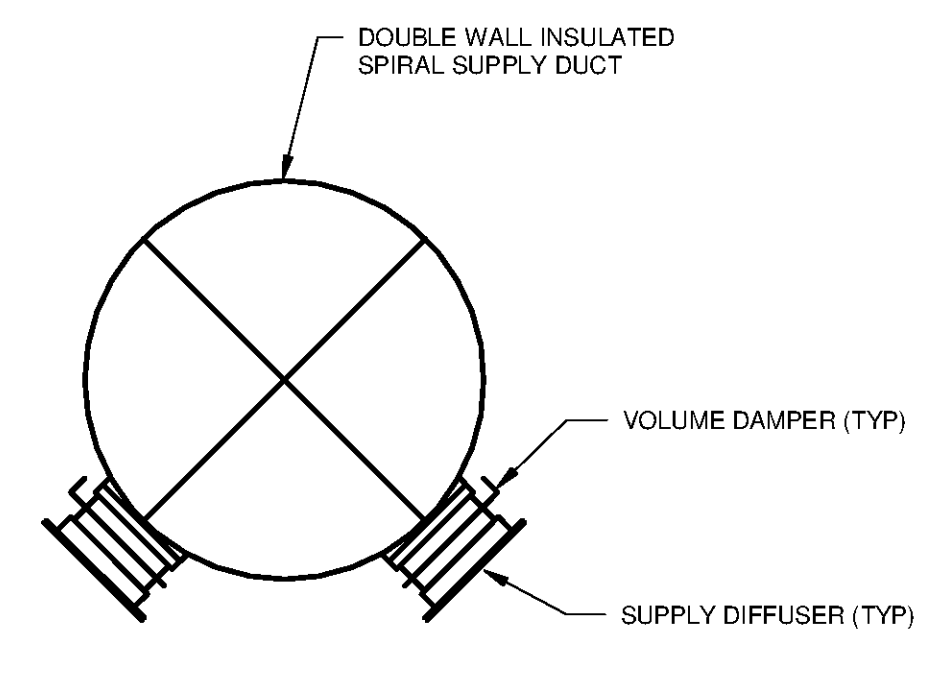
**2 ROUND DUCT TAKE-OFF DETAIL**  
SCALE: N.T.S.



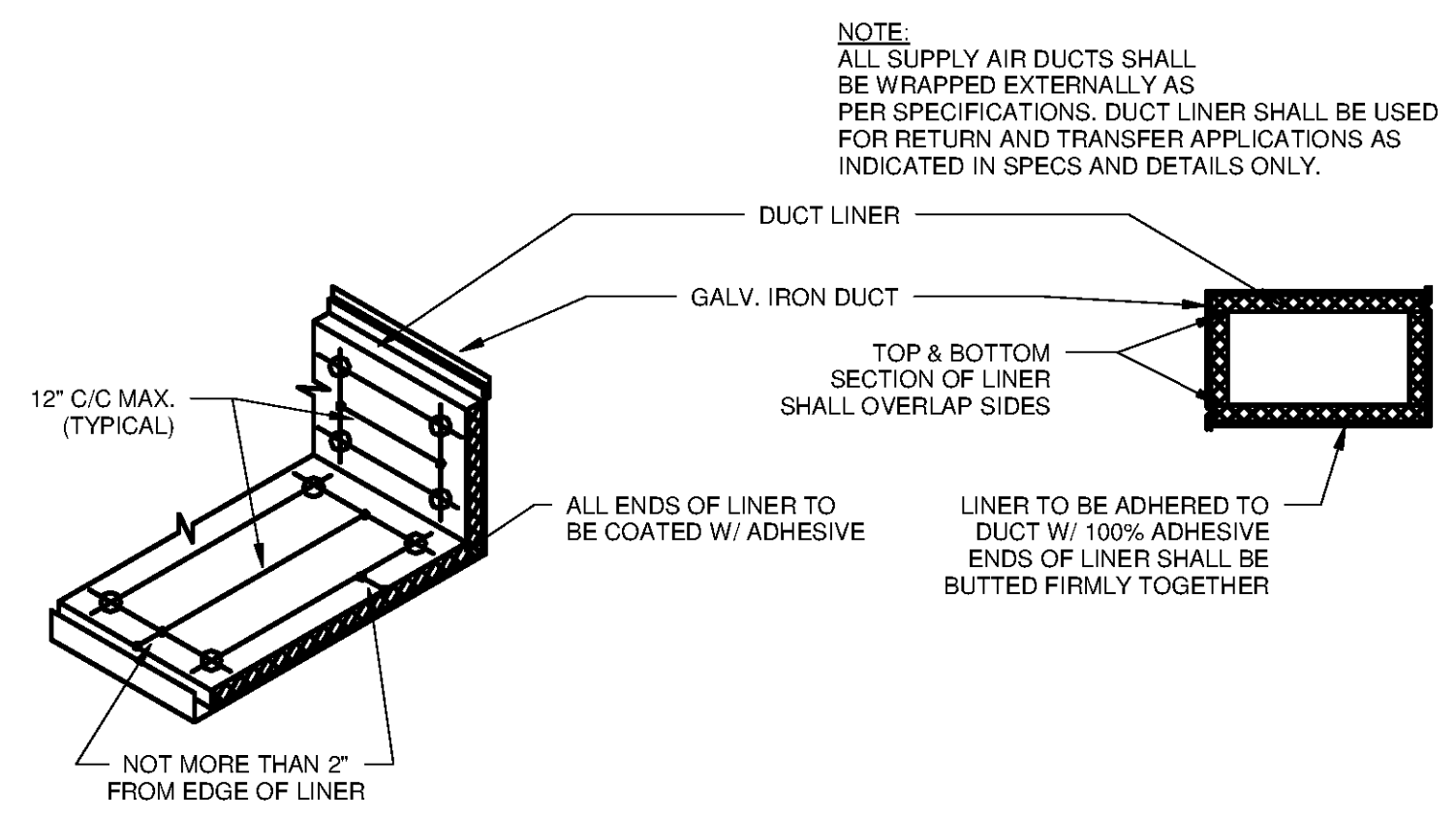
**3 CEILING MOUNTED RETURN GRILLE DETAIL**  
SCALE: N.T.S.



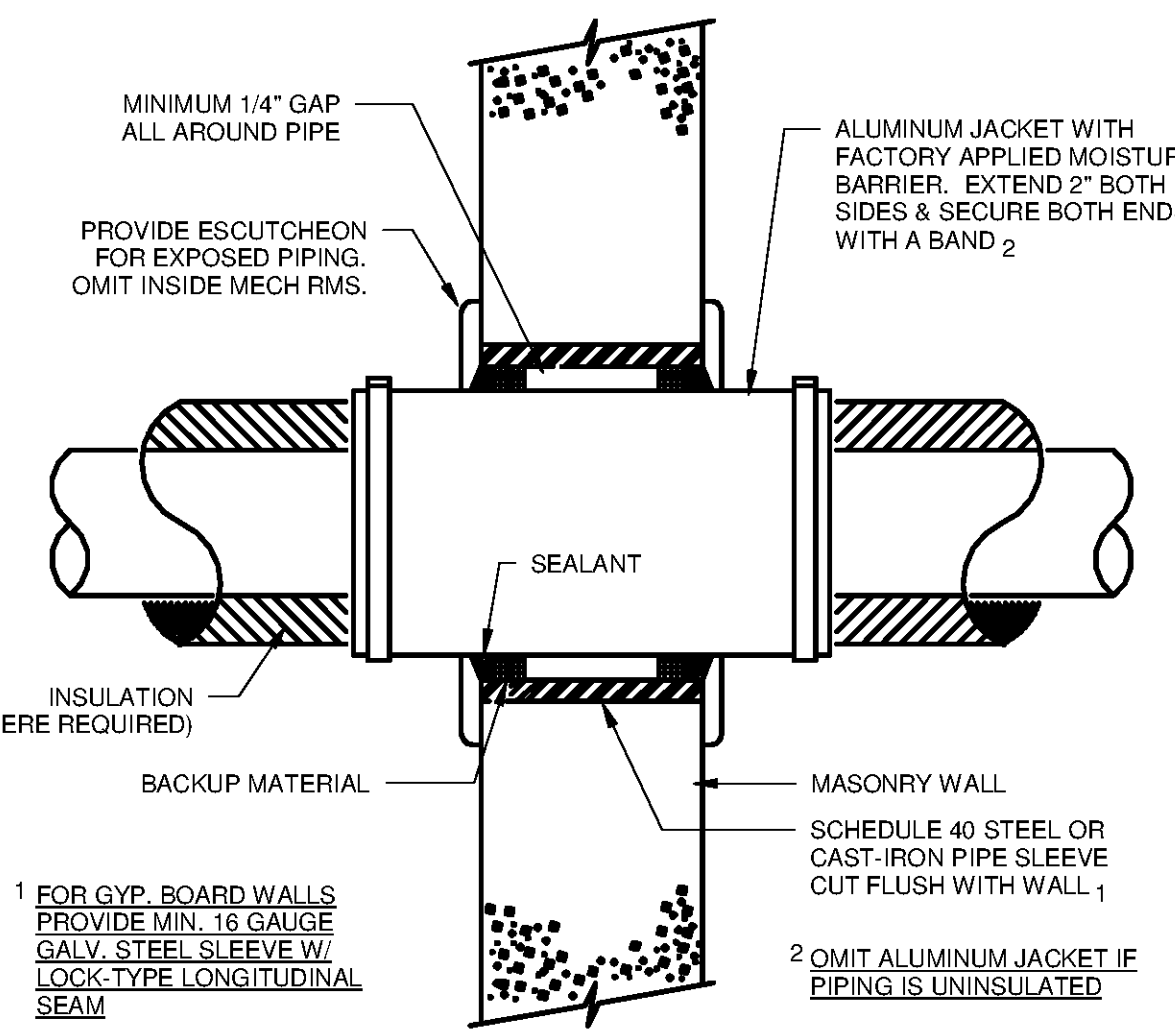
**4 DIFFUSER WITH FLEXIBLE CONNECTION DETAIL**  
SCALE: N.T.S.



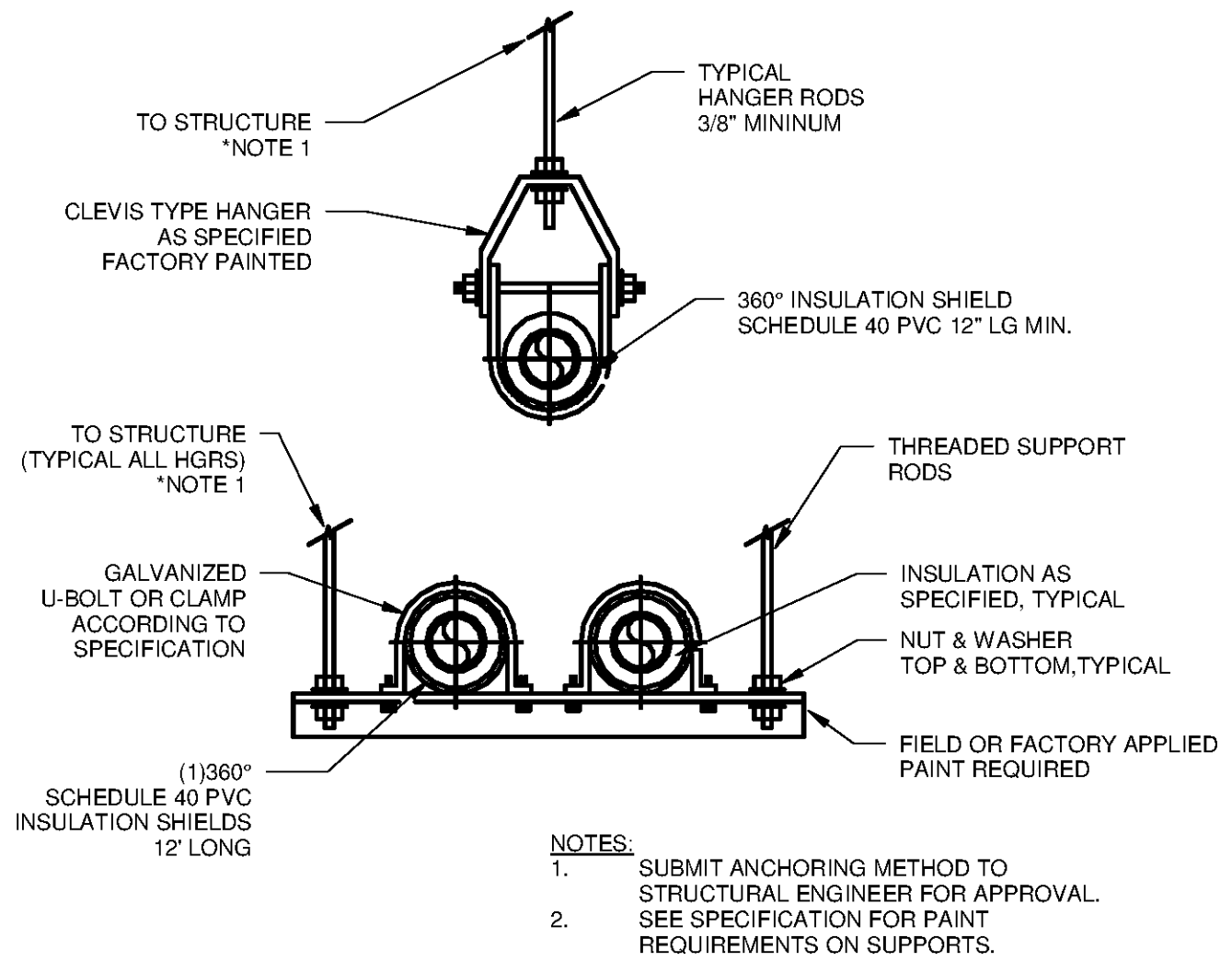
**5 DUCT MOUNTED SUPPLY DIFFUSERS AT 45° ANGLE DETAIL**  
SCALE: N.T.S.



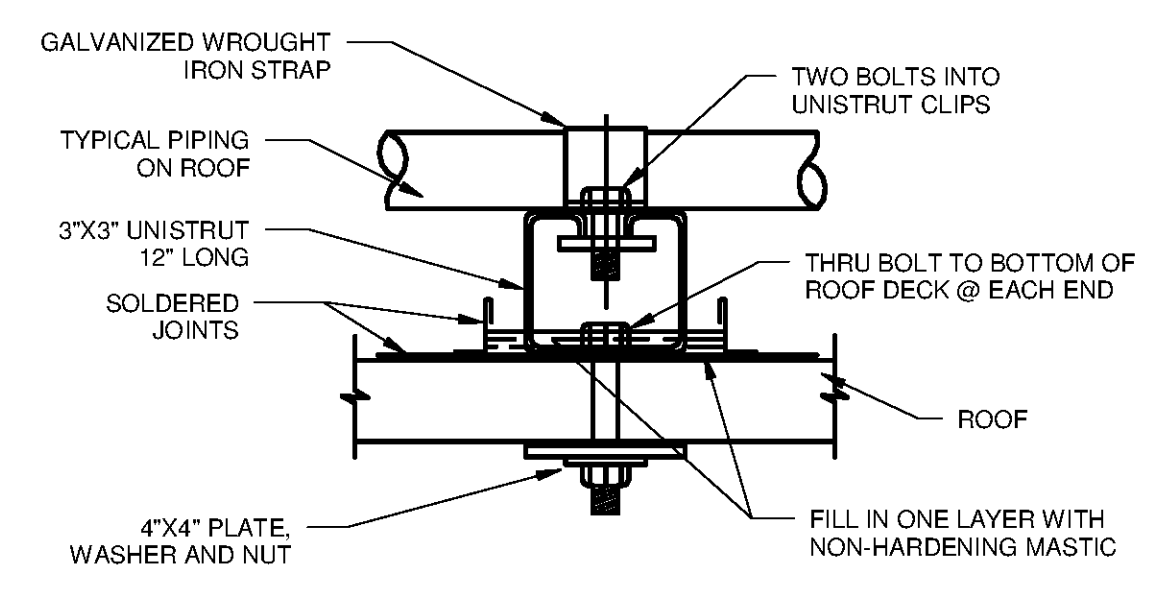
**6 DUCT LINER DETAIL**  
SCALE: N.T.S.



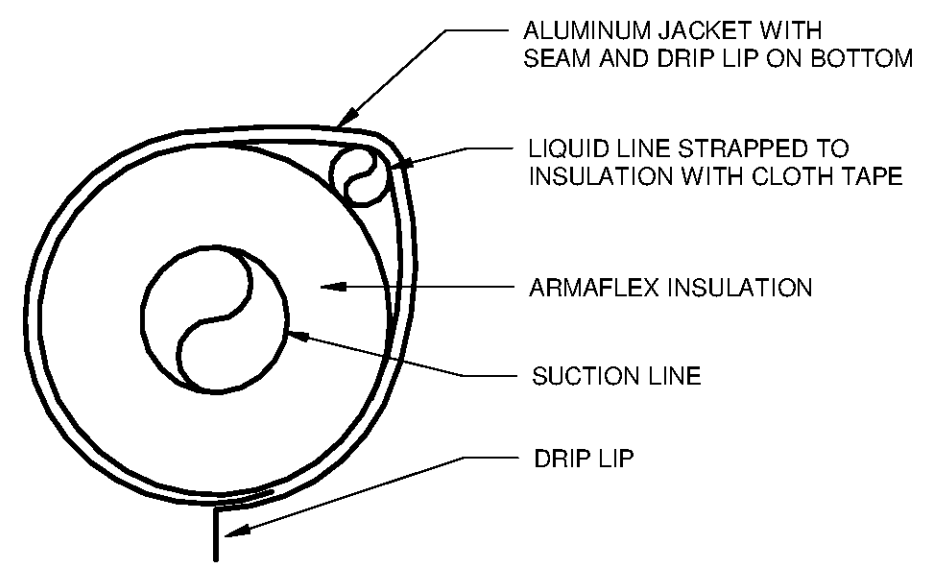
**7 WALL PIPE PENETRATION DETAIL**  
SCALE: N.T.S.



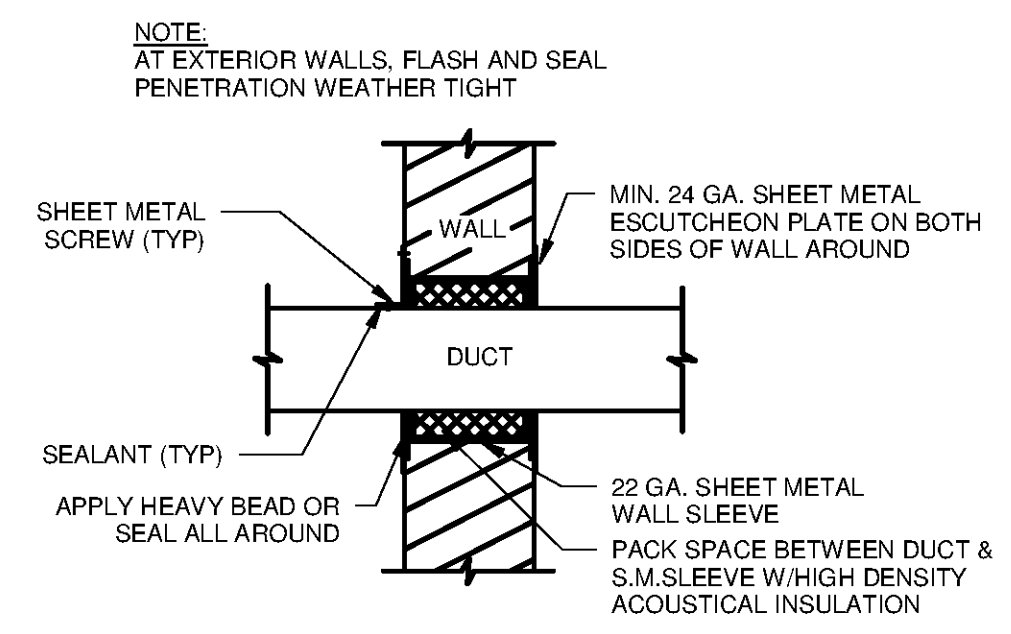
**8 TYPICAL PIPE HANGER DETAIL**  
SCALE: N.T.S.



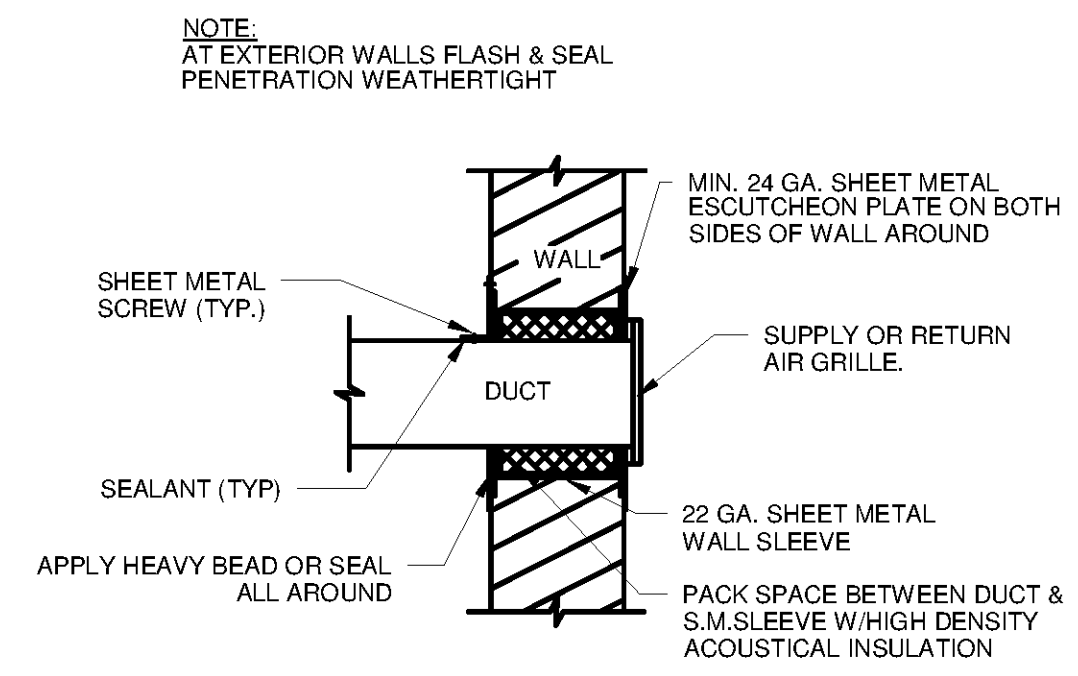
**9 ROOF MOUNTED PIPE SUPPORT DETAIL**  
SCALE: N.T.S.



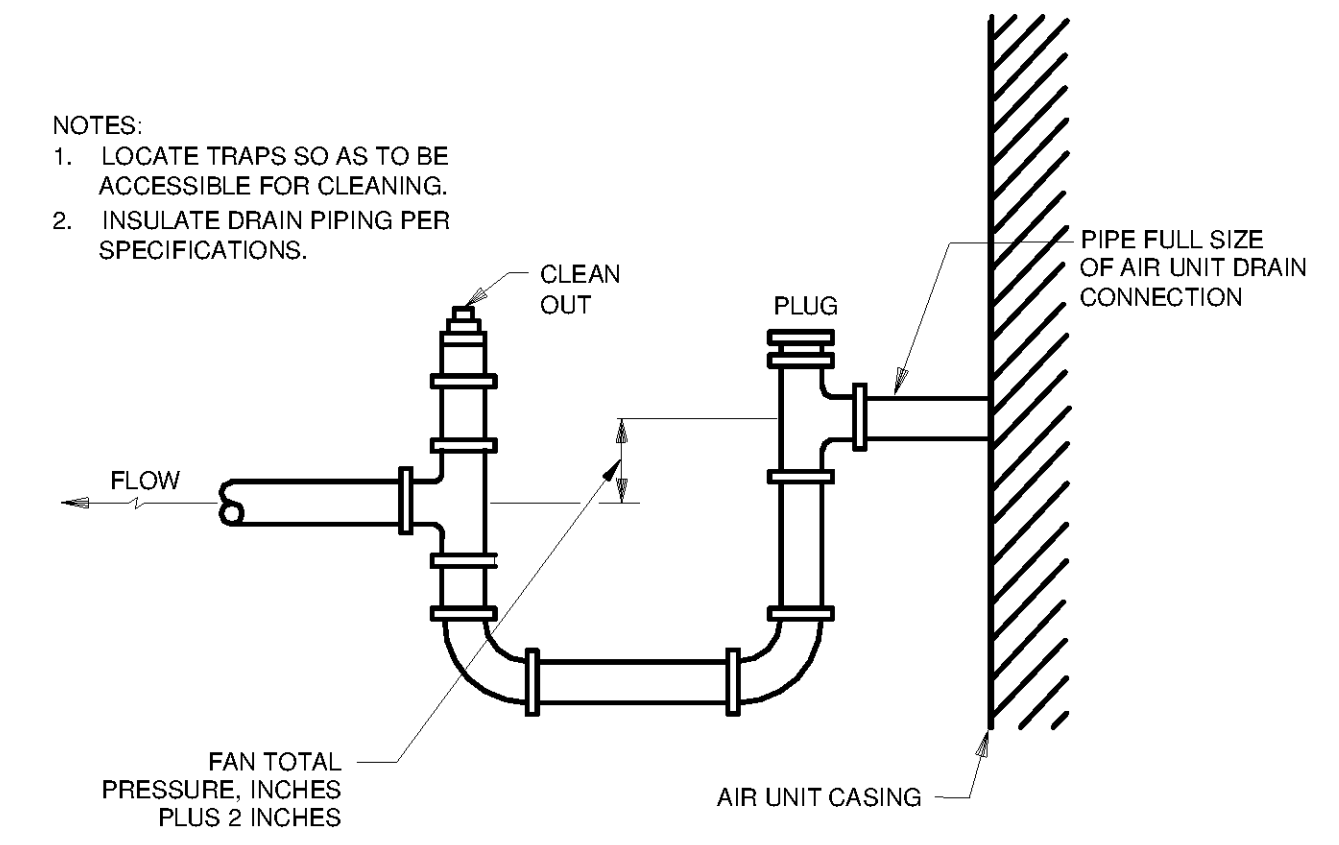
**10 EXTERIOR REFRIGERANT LINE INSULATION DETAIL**  
SCALE: N.T.S.



**11 DUCT PENETRATION THROUGH NON-FIRE RATED WALL**  
SCALE: N.T.S.



**12 DUCT PENETRATION THROUGH WALL WITH GRILLE**  
SCALE: N.T.S.



**13 CONDENSATE DRAIN DETAIL**  
SCALE: N.T.S.

**TETRA TECH**  
www.tetra.tech.com  
101 QUALITY CIRCLE, SUITE 140  
HUNTSVILLE, ALABAMA 35806  
PHONE: (256) 424-4077 FAX: (256) 424-4087

BID SET  
ALABAMA REGISTERED PROFESSIONAL ENGINEER  
No. 16553  
DONALD S. BOYD  
12/24/2014

BY	DESCRIPTION	DATE	MARK

HUNTSVILLE UTILITIES  
SOUTHEAST WATER TREATMENT PLANT  
**MECHANICAL HVAC DETAILS**

Project No.: 200-11740-10003  
Designed By: SBR  
Drawn By: BJZ  
Checked By: DSB

**M-9502**