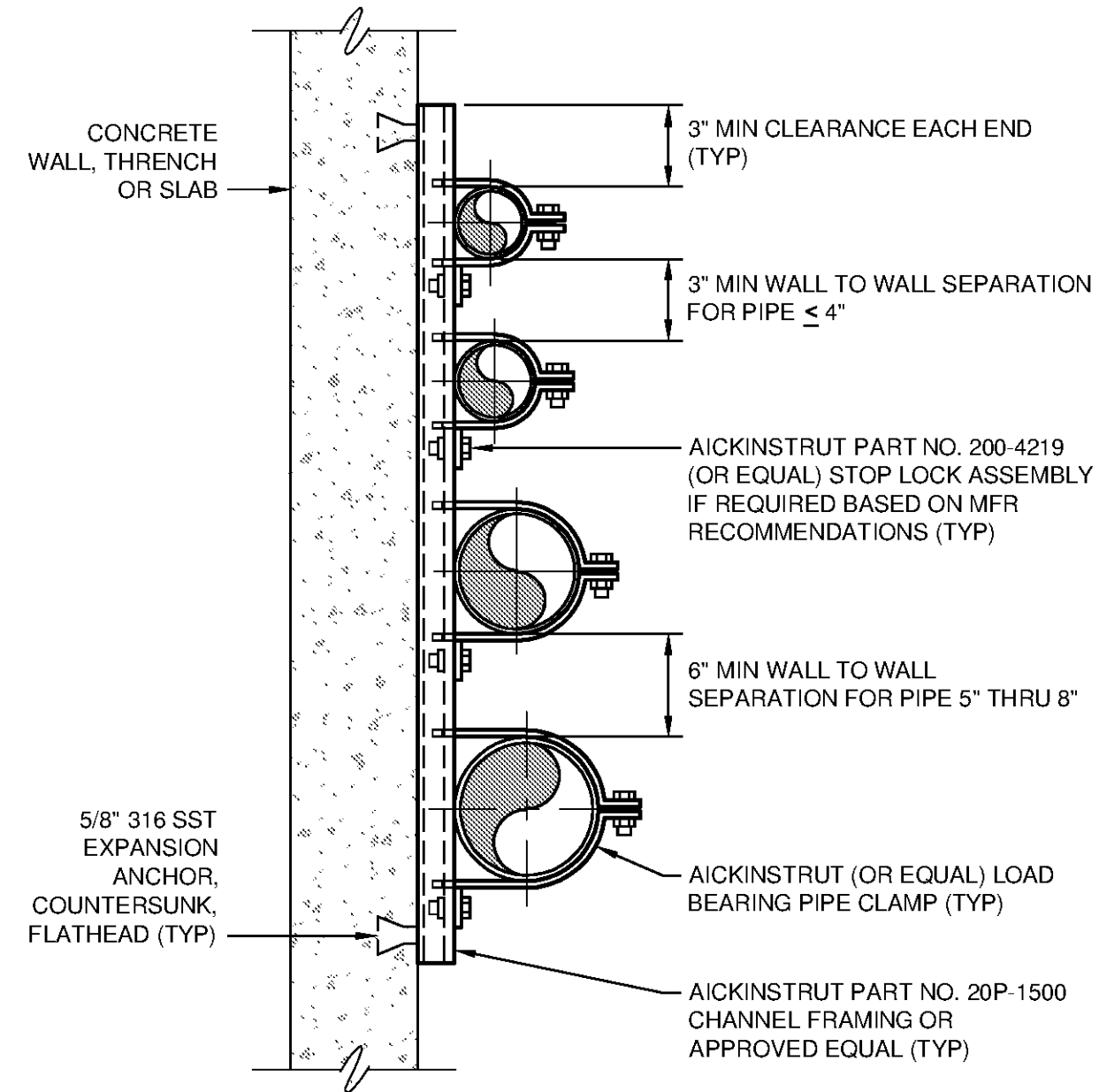


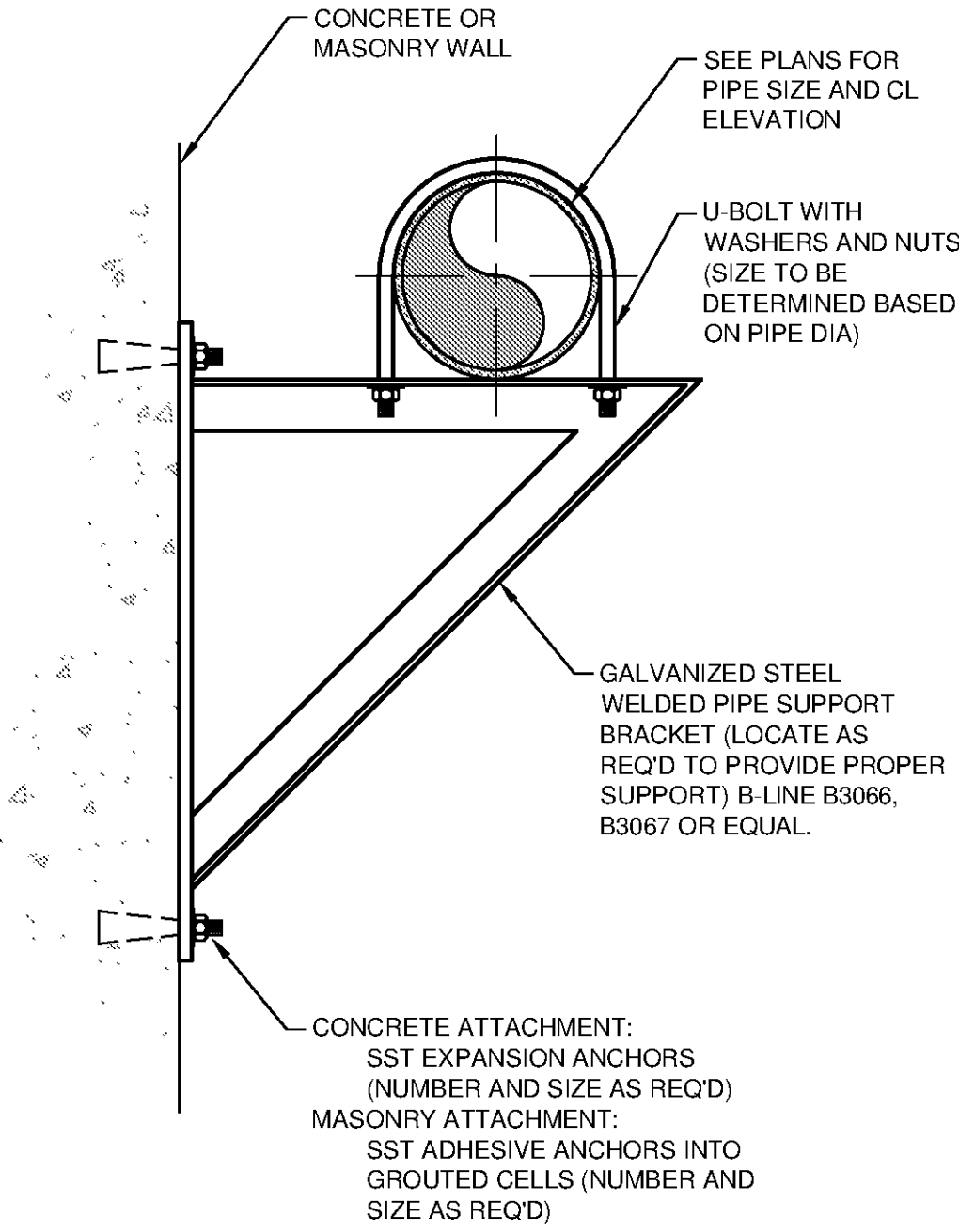
PIPE SUPPORT - STACKED



- NOTES:**
- SEE DRAWINGS FOR TYPE, SIZE (MAX 8"), AND QUANTITY OF SUPPORTED PIPES.
 - ALL FRAMING AND PIPE SUPPORT MATERIALS SHALL BE EITHER FRP (INTERIOR ONLY) OR 316 SST (UNISTRUT OR EQUAL FOR EXTERIOR).

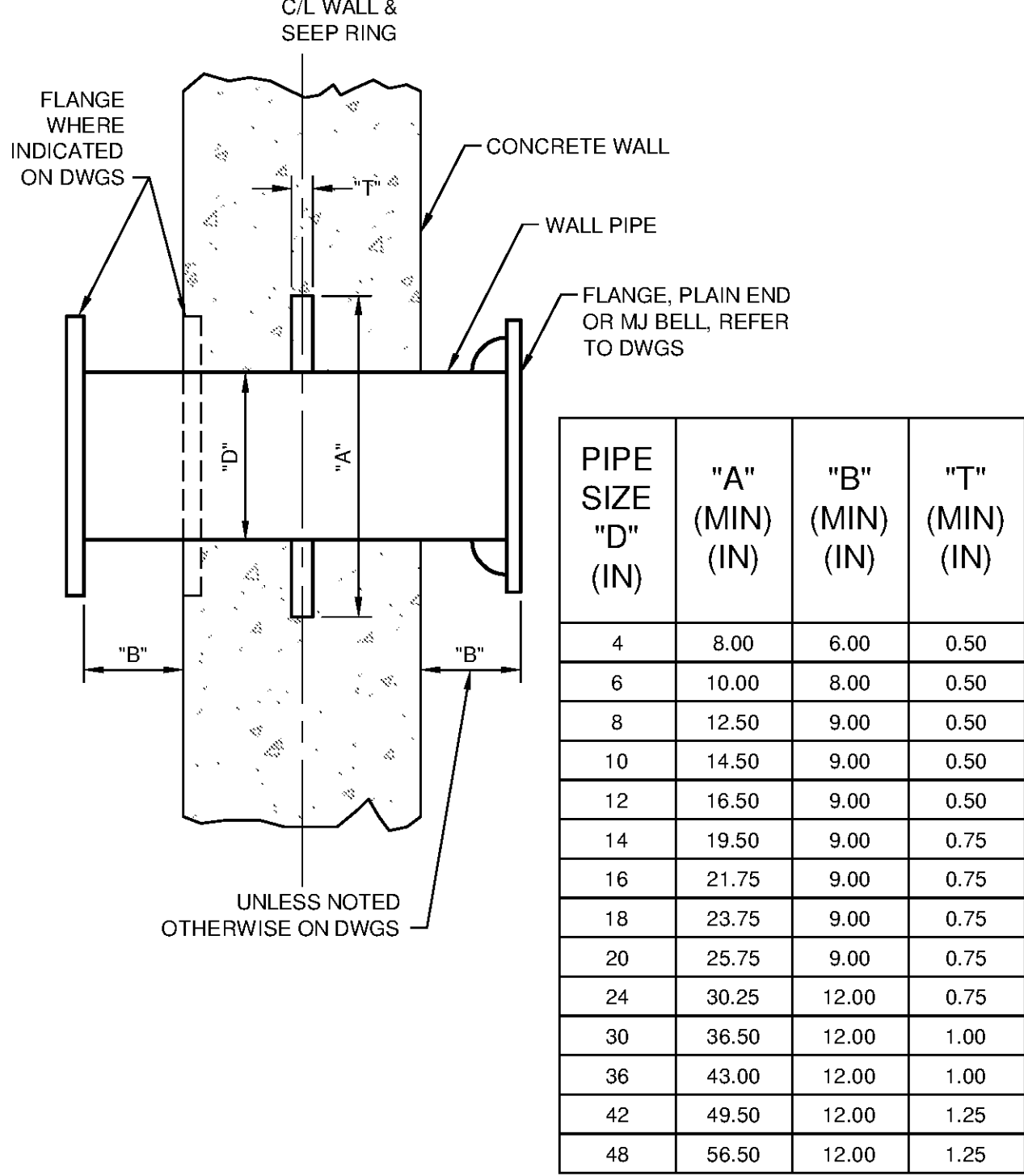
1 DETAIL
SCALE: NTS

PIPE SUPPORT - WALL KNEE BRACE



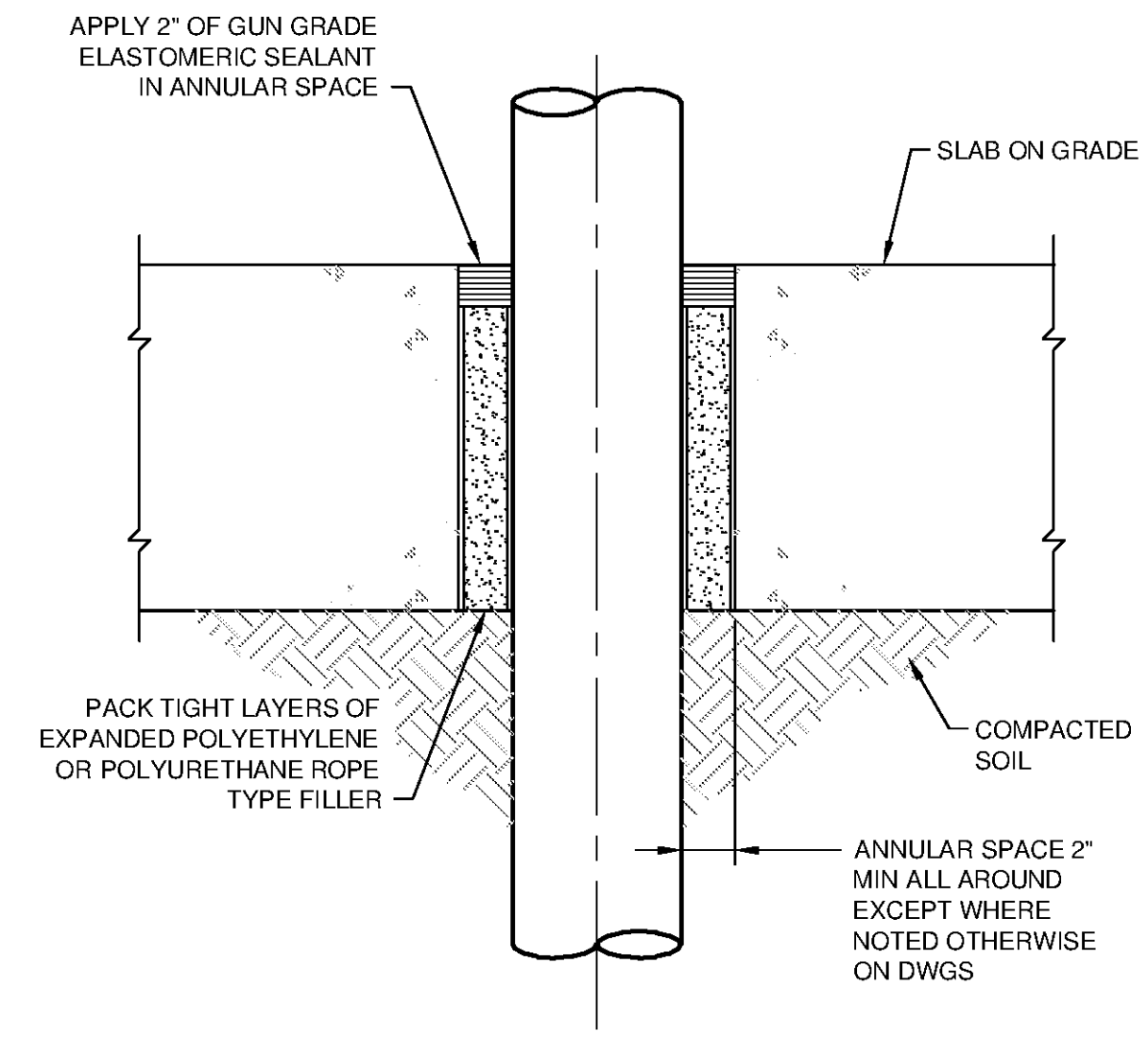
2 DETAIL
SCALE: NTS

WALL PENETRATION - WALL PIPE



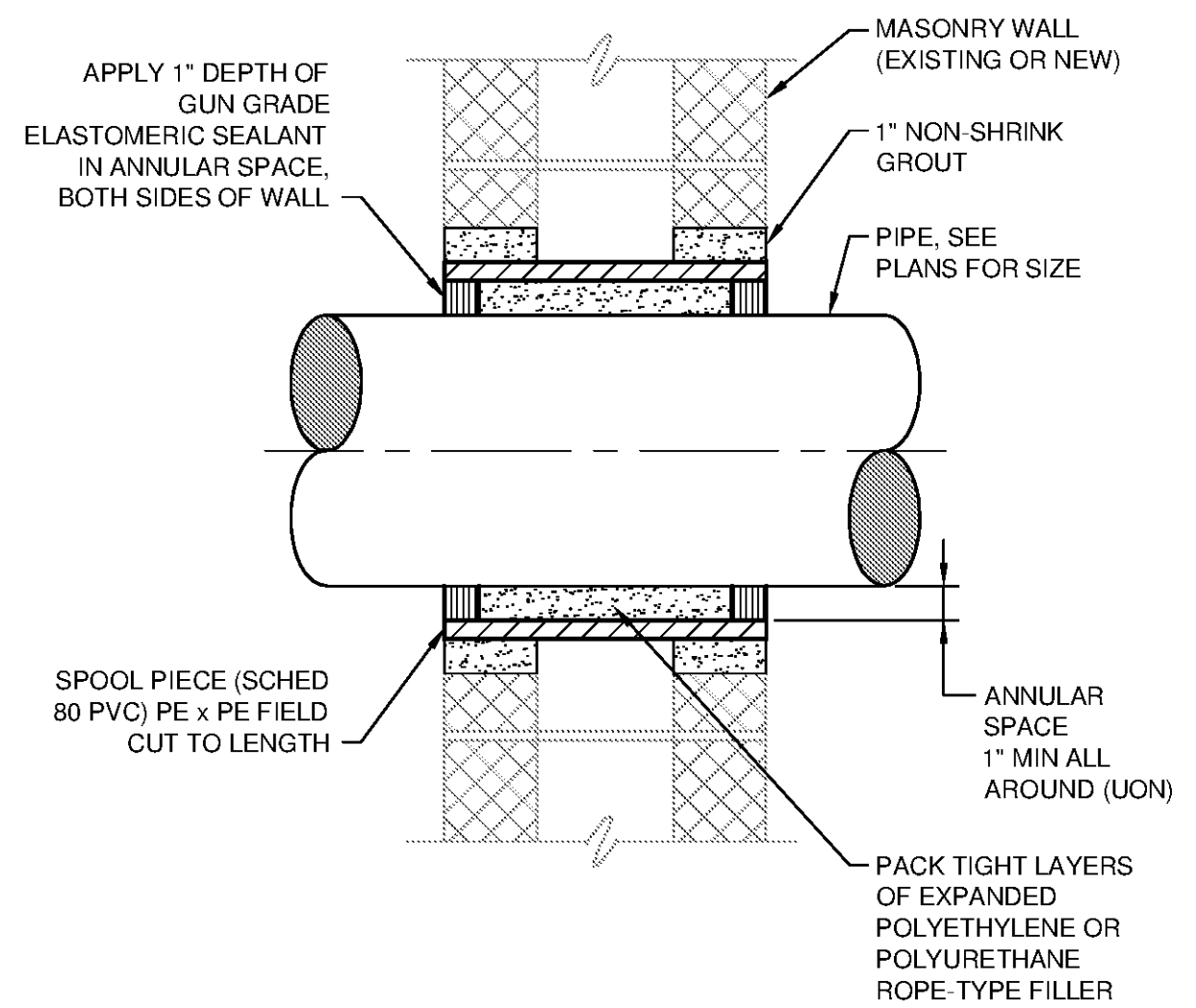
3 DETAIL
SCALE: NTS

PIPE PENETRATION - SLAB-ON-GRADE



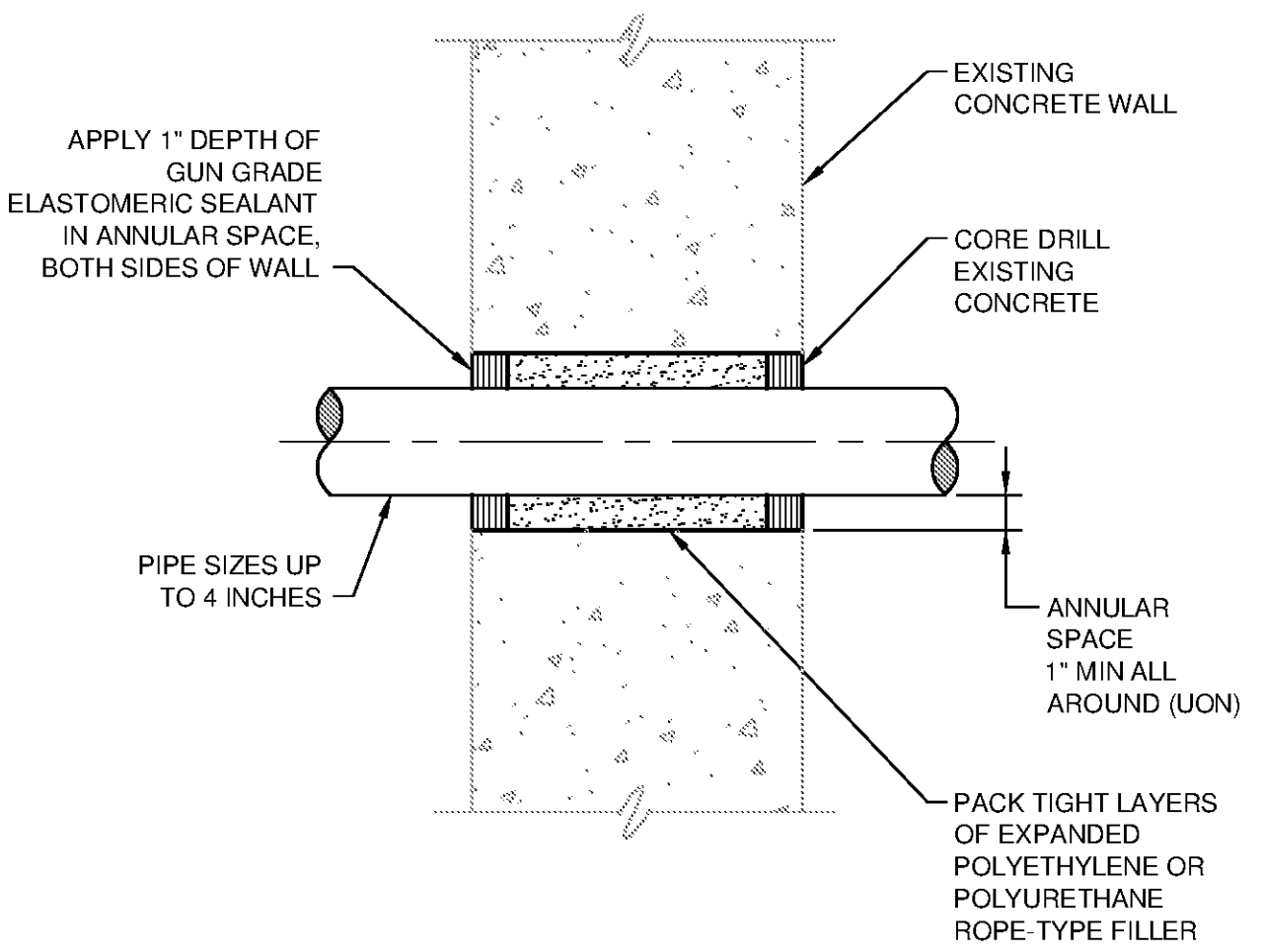
4 DETAIL
SCALE: NTS

WALL PENETRATION - MASONRY



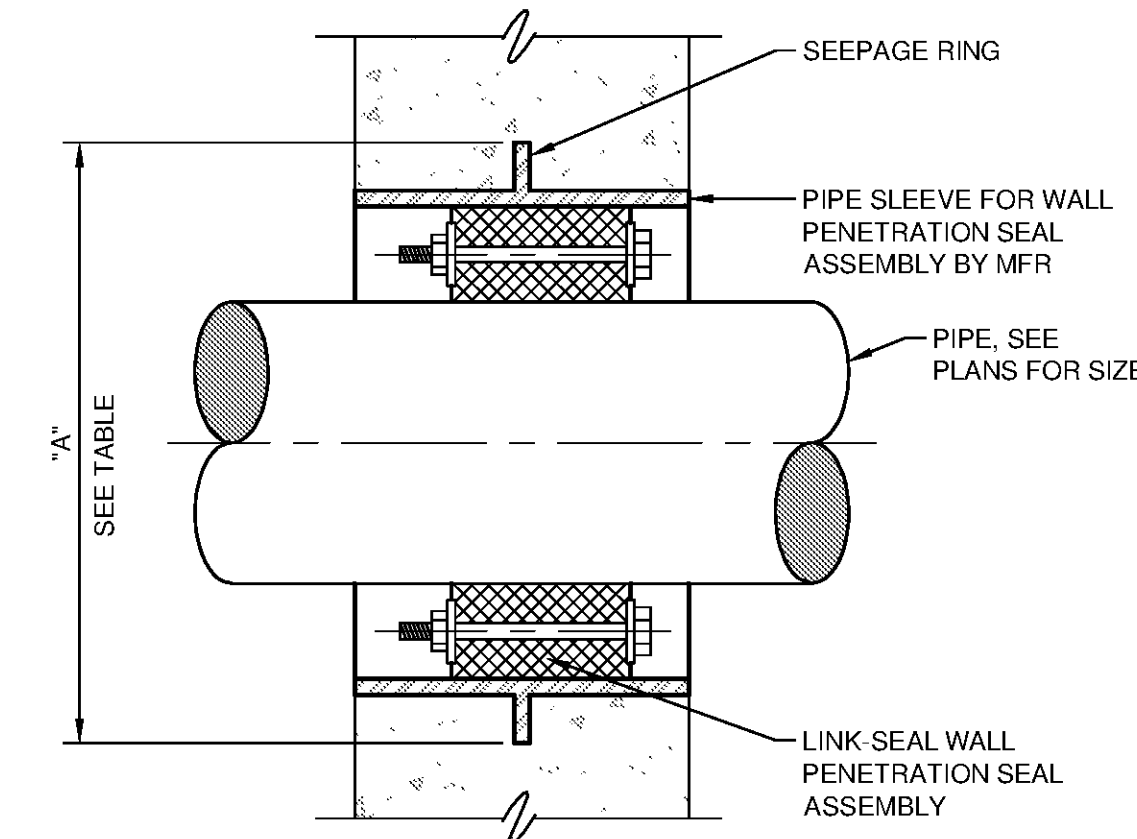
5 DETAIL
SCALE: NTS

WALL PENETRATION - CONCRETE (SMALL DIAMETER)



6 DETAIL
SCALE: NTS

WALL PENETRATION - LINK SEAL (CAST)

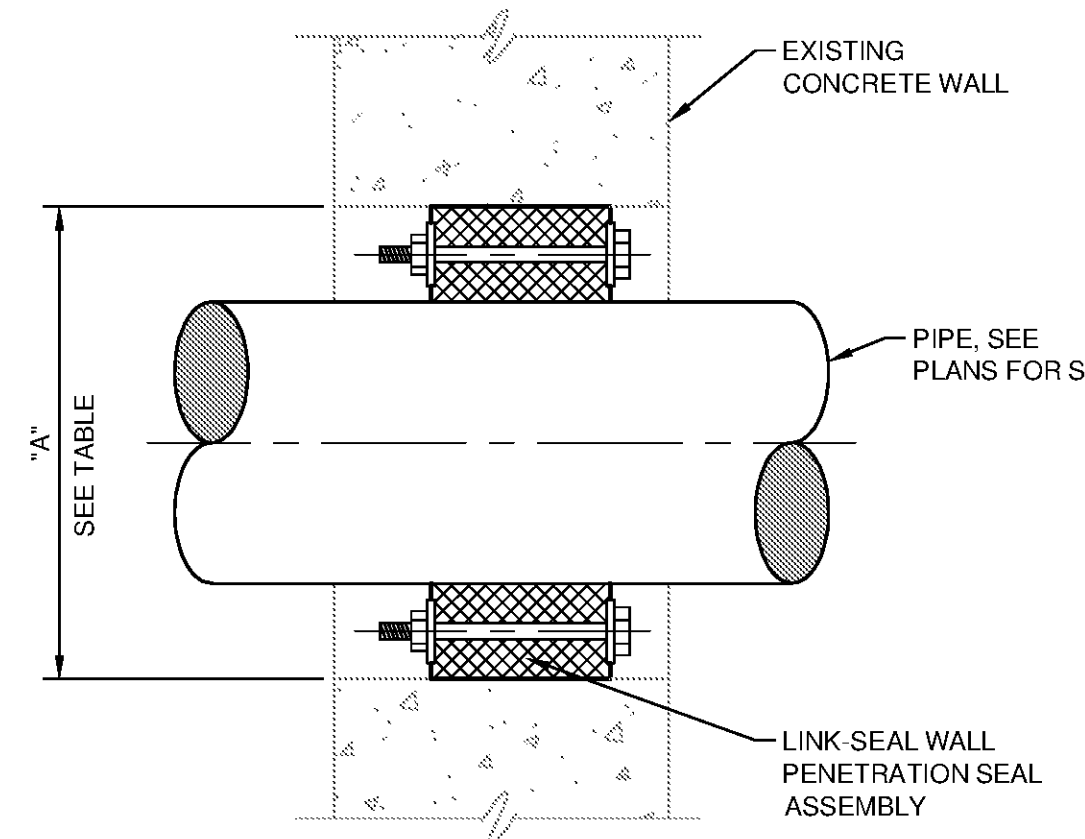


PIPE SIZE (IN)	NOMINAL SLEEVE DIA (IN)	"A" (IN)
2	4	6
2-1/2	4	7
3	5	7-1/2
4	6	9
6	10	13
8	12	14
10	14	17

PIPE SIZE (IN)	NOMINAL SLEEVE DIA (IN)	"A" (IN)
12	16	19
14	18	21
16	20	23-1/2
18	24	25
20	24	27-1/2
24	30	32

7 DETAIL
SCALE: NTS

WALL PENETRATION - LINK SEAL (CORE-DRILLED)



PIPE SIZE (IN)	NOMINAL SLEEVE DIA (IN)
2	4
2-1/2	4
3	5
4	6
6	10
8	12
10	14

PIPE SIZE (IN)	NOMINAL SLEEVE DIA (IN)
12	16
14	16
16	18
18	23
20	25
24	29

8 DETAIL
SCALE: NTS

10/17/2014 3:50:29 PM P:\ER\11740\200-11740-10003\CAD\9\DWG\STANDARD PROCESS DETAILS.DWG - EVANS, JON



BID SET



MARK	DATE	DESCRIPTION	BY

HUNTSVILLE UTILITIES
SOUTHEAST WATER TREATMENT PLANT
STANDARD PROCESS DETAILS

Project No.: 200-11740-10003
Designed By: JEC
Drawn By: JTE
Checked By: JPT

D-9504

Bar Measures 1 inch

Copyright: Tetra Tech