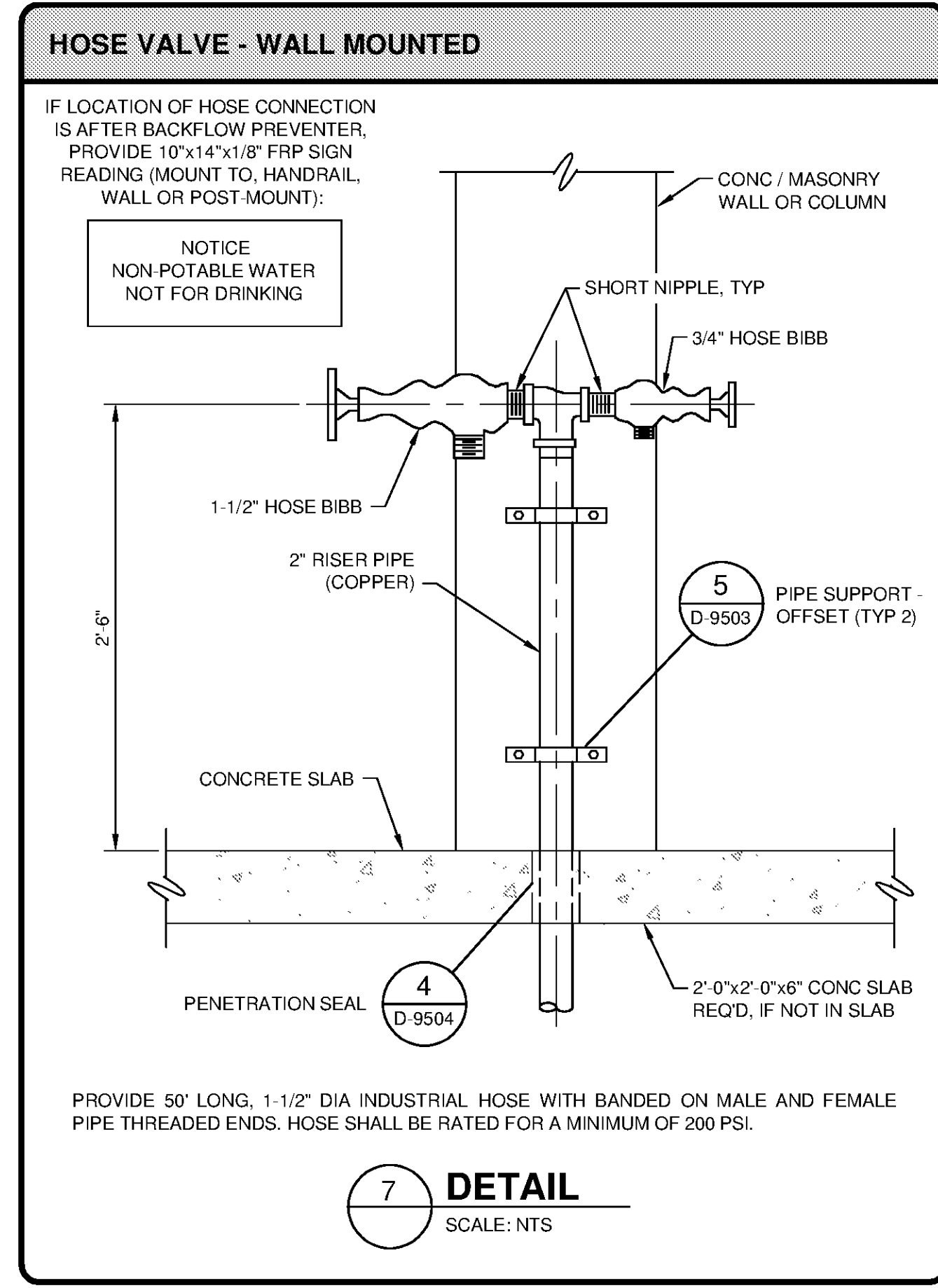
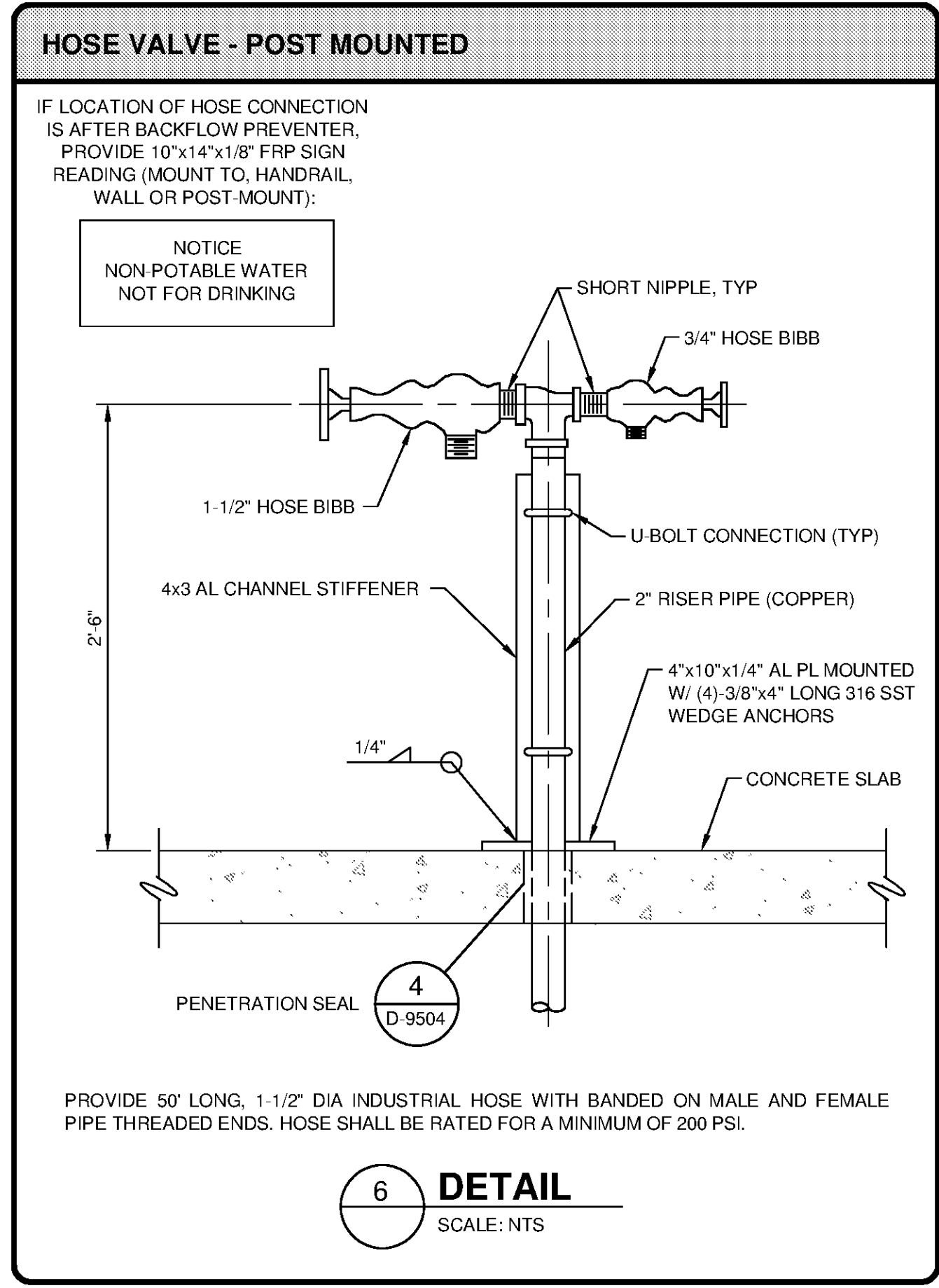
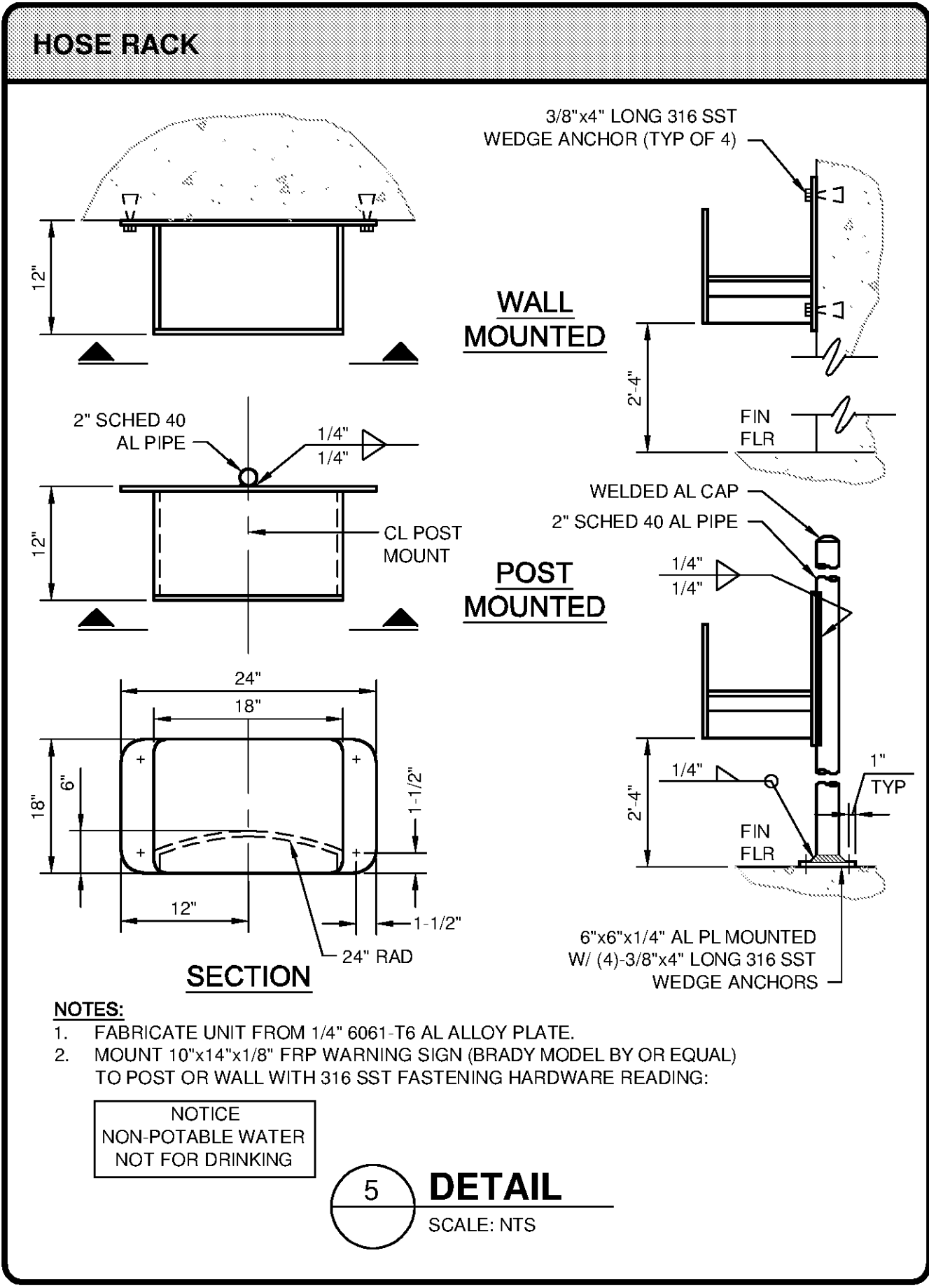
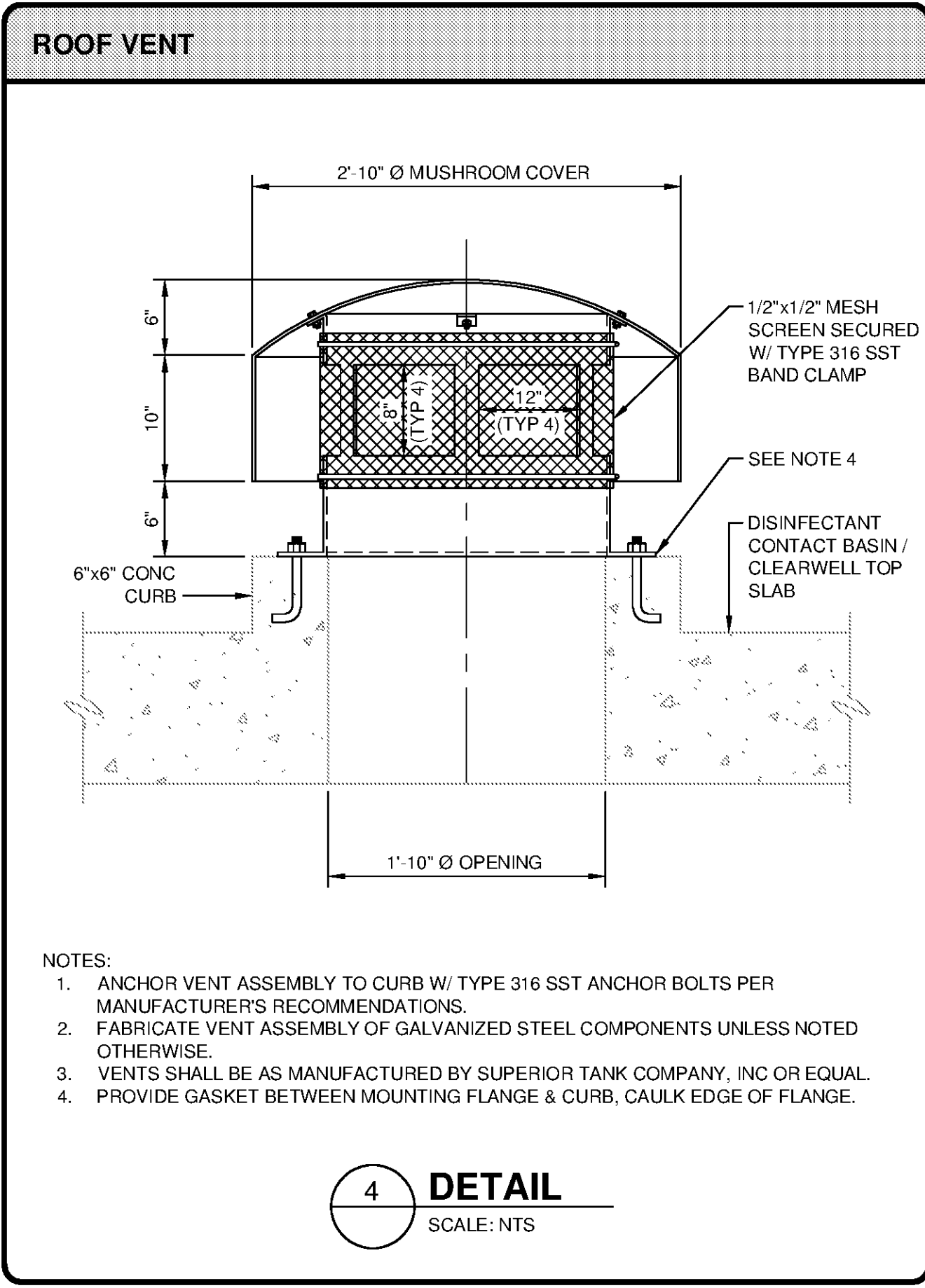
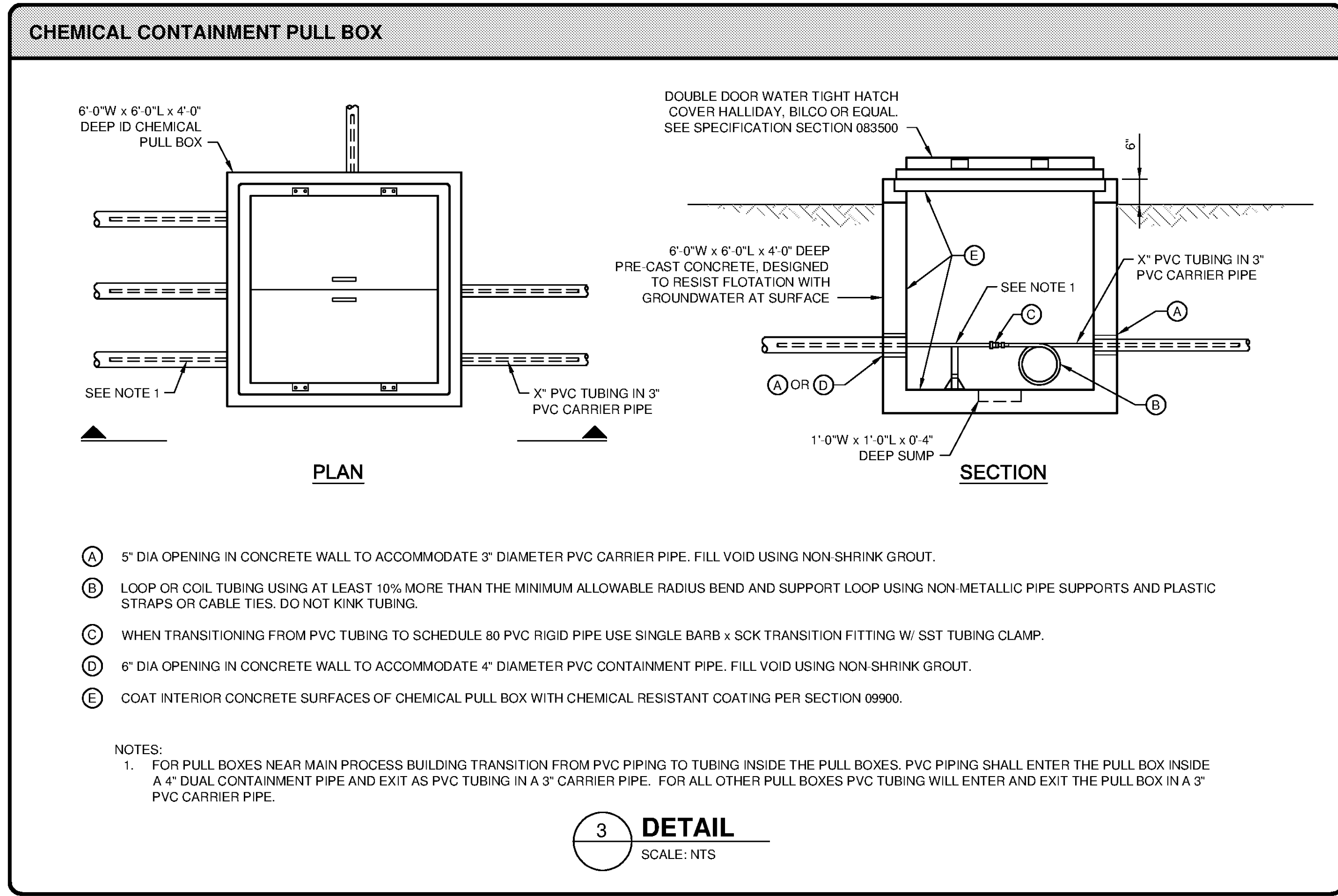
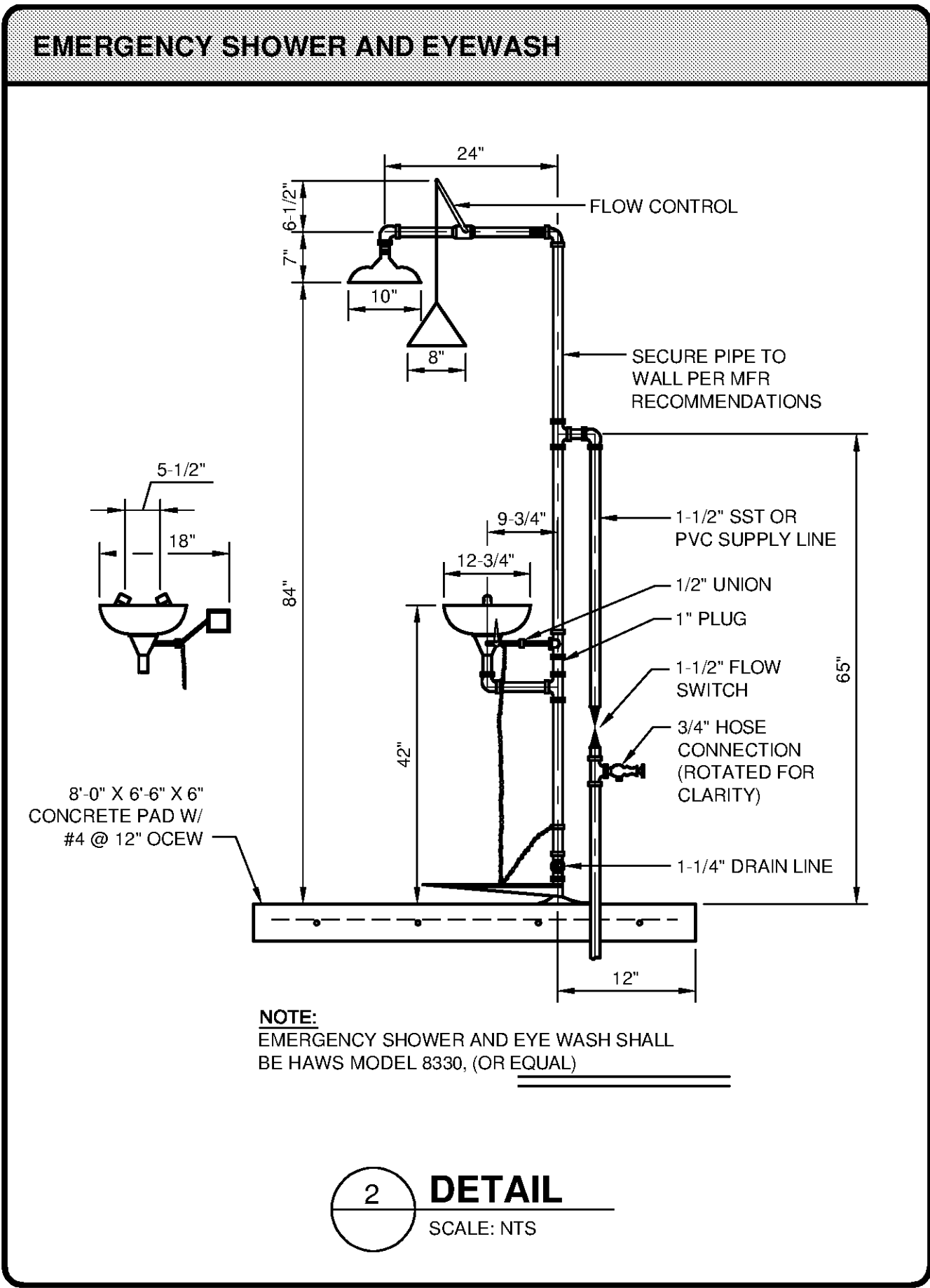
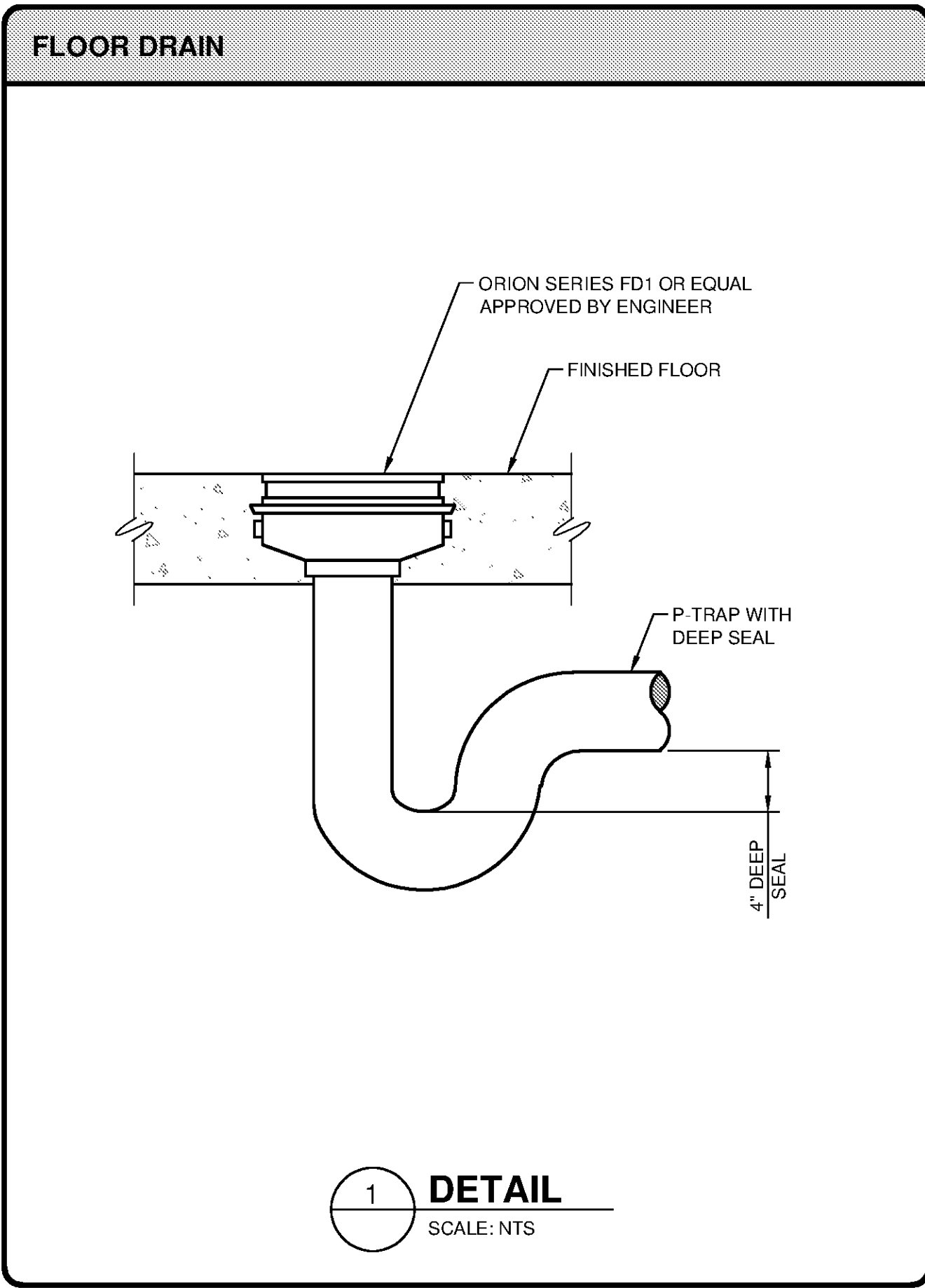


10/17/2014 3:50:24 PM P:\ER\11740\200-11740-10003\CAD\SHEET\FILESTREATMENT PLANT\WTP-D-950X STANDARD PROCESS DETAILS.DWG - EVANS, JON



www.tetrattech.com
 101 QUALITY CIRCLE, SUITE 140
 HUNTSVILLE, ALABAMA 35806
 PHONE: (256) 424-4077 FAX: (256) 424-4097

BID SET

BY: _____
 DATE: _____
 MARK: _____
 DESCRIPTION: _____

HUNTSVILLE UTILITIES
 SOUTHEAST WATER TREATMENT PLANT

STANDARD PROCESS DETAILS

Project No.: 200-11740-10003
 Designed By: JEC
 Drawn By: JTE
 Checked By: JPT

D-9502

Copyright: Tetra Tech
 Bar Measures 1 inch