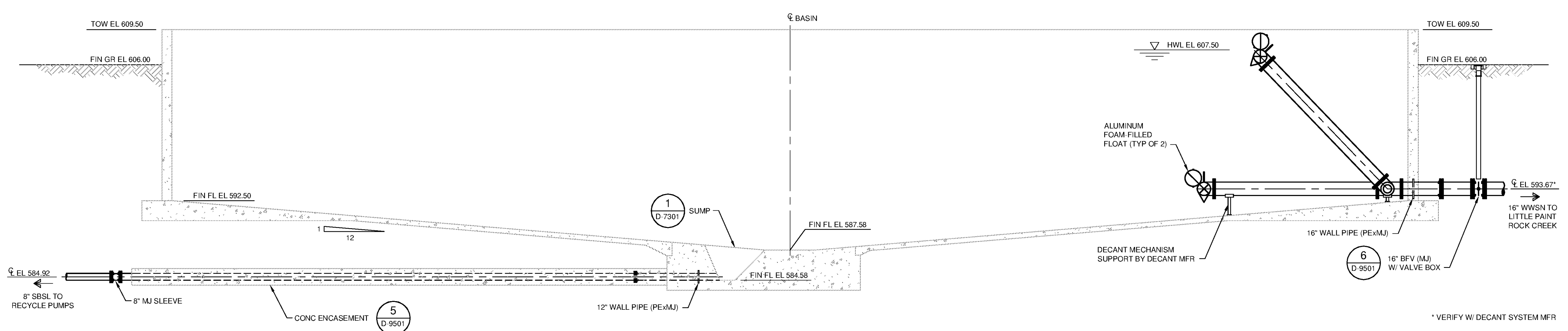
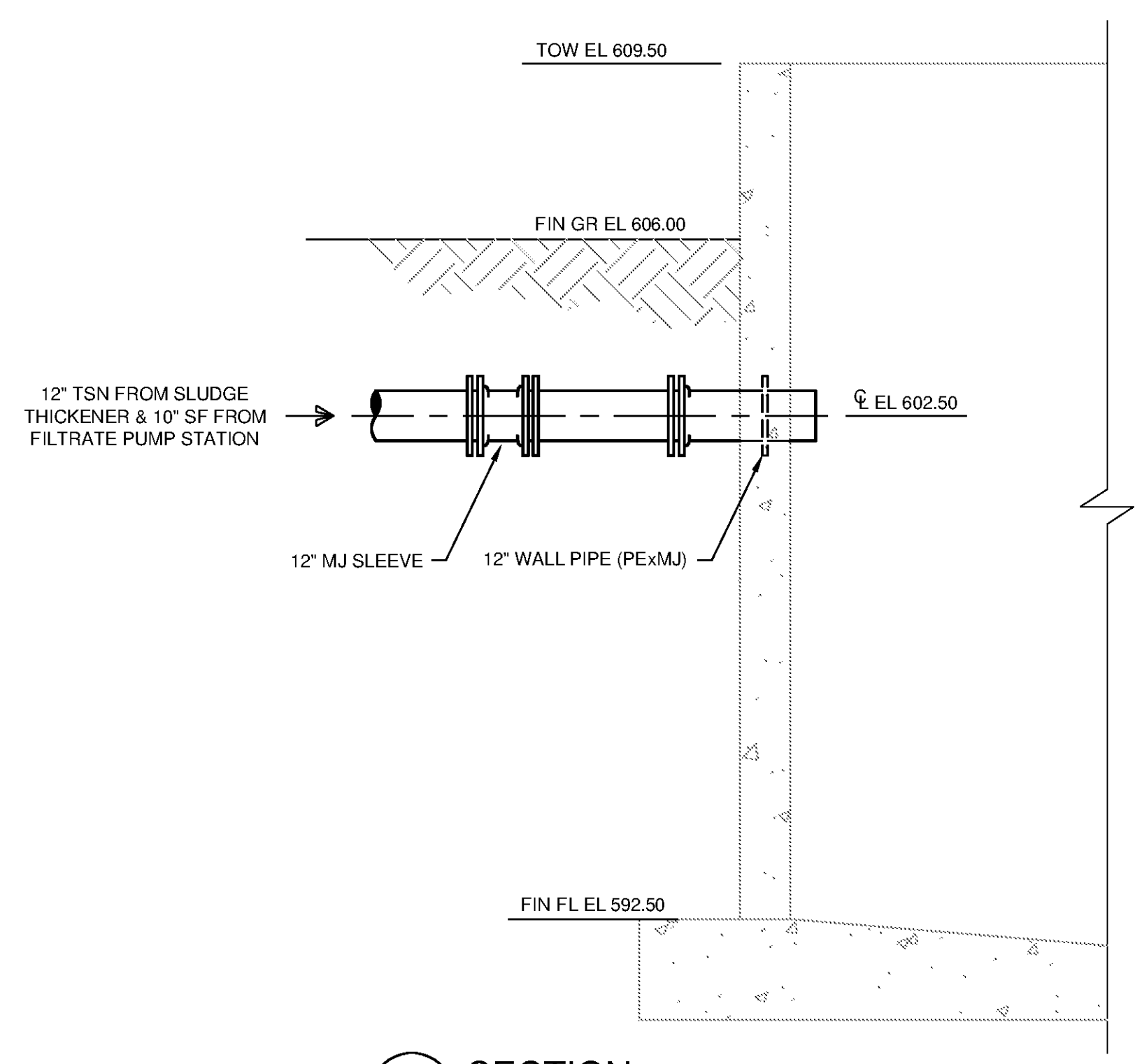


1 2 3 4 5 6 7

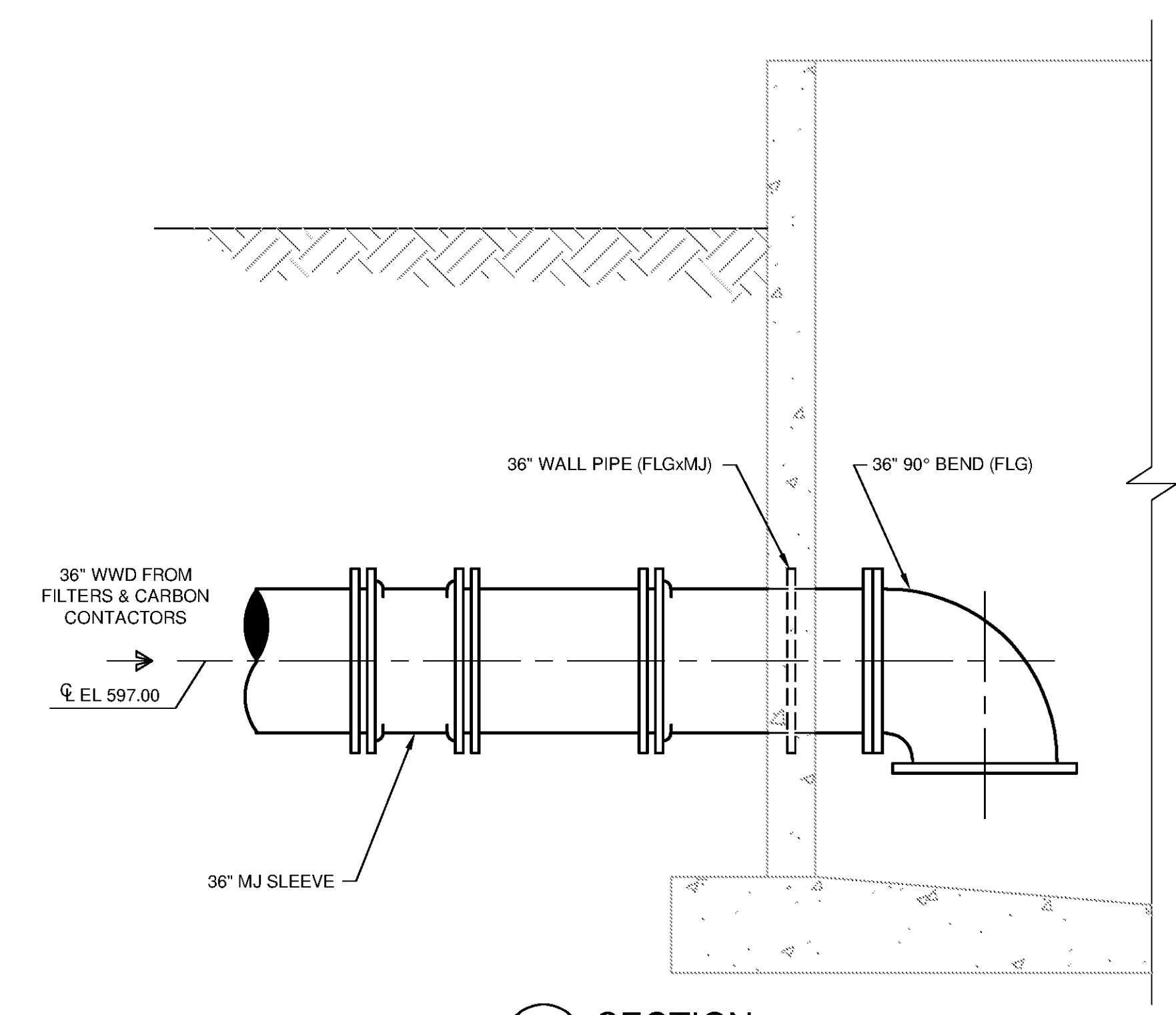
F
E
D
C
B
A



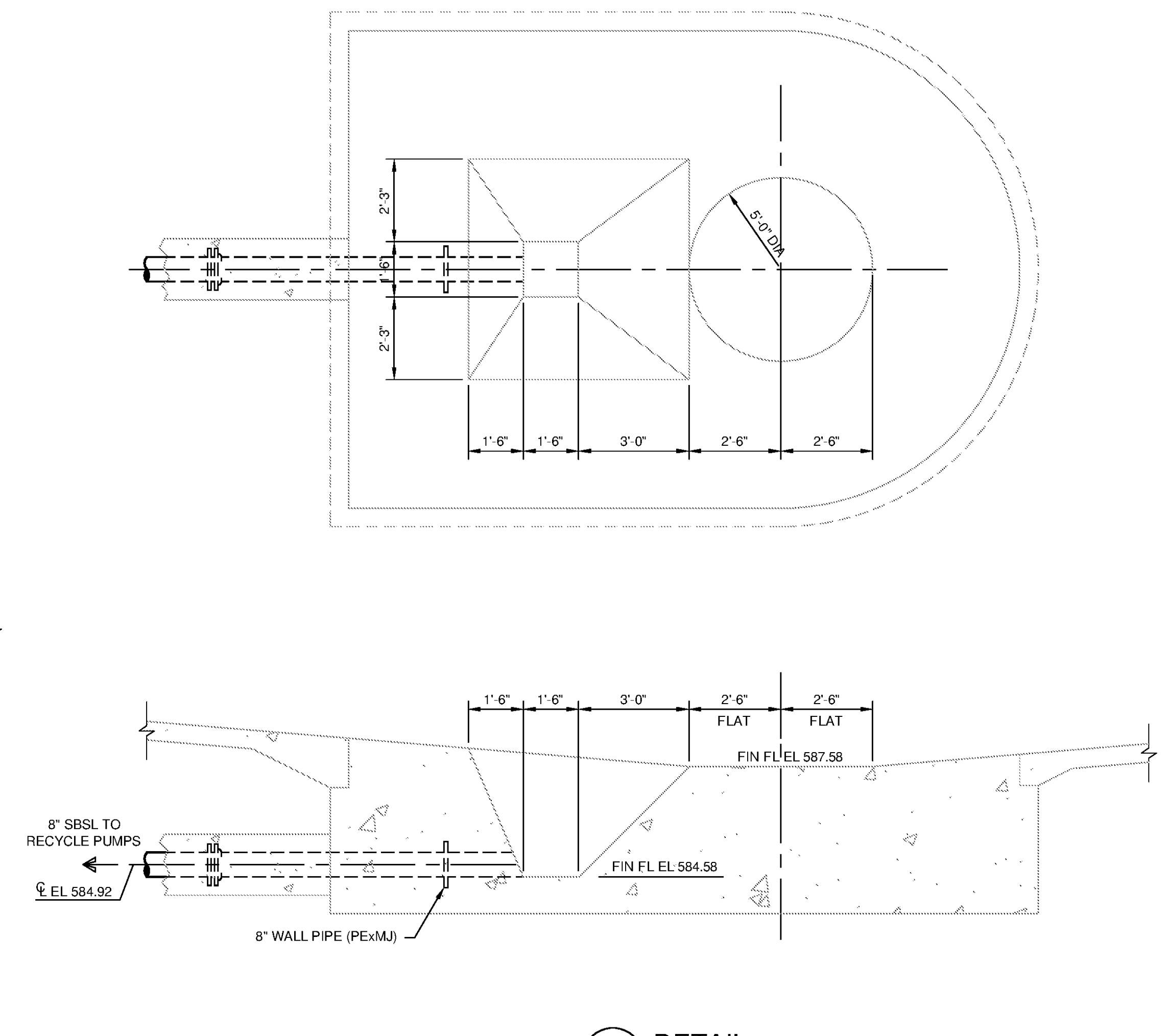
A SECTION
D-7102 SCALE: 3/16"=1'-0"



B SECTION
D-7102 SCALE: 3/8"=1'-0"



C SECTION
D-7102 SCALE: 3/8"=1'-0"



1 DETAIL
D-7102 SCALE: 3/8"=1'-0"

10/17/2014 3:50:08 PM P:\1\1740-10003\CAD\1740-10003\TREATMENT PLANT\1740-10003\CAD\1740-10003\WASHWATER RECOVERY BASIN EQUIPMENT SECTIONS.DWG EVANS, JON

TETRA TECH
www.tetrattech.com
101 QUALITY CIRCLE, SUITE 140
HUNTSVILLE, ALABAMA 35806
PHONE: (256) 424-4077 FAX: (256) 424-4097

BID SET

BY	DATE	DESCRIPTION

HUNTSVILLE UTILITIES
SOUTHEAST WATER TREATMENT PLANT
**WASHWATER RECOVERY
BASIN
EQUIPMENT SECTIONS**

Project No.: 200-11740-10003
Designed By: SGN
Drawn By: SGN
Checked By: JPT

D-7301

Copyright: Tetra Tech
Bar Measures 1 inch