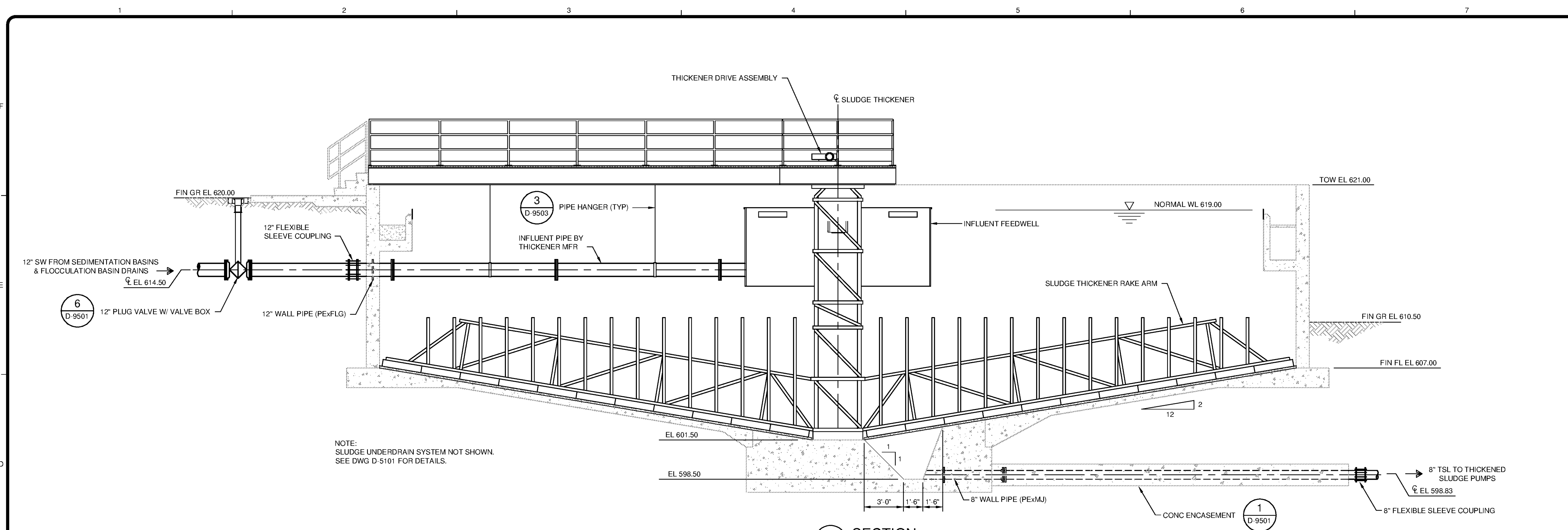
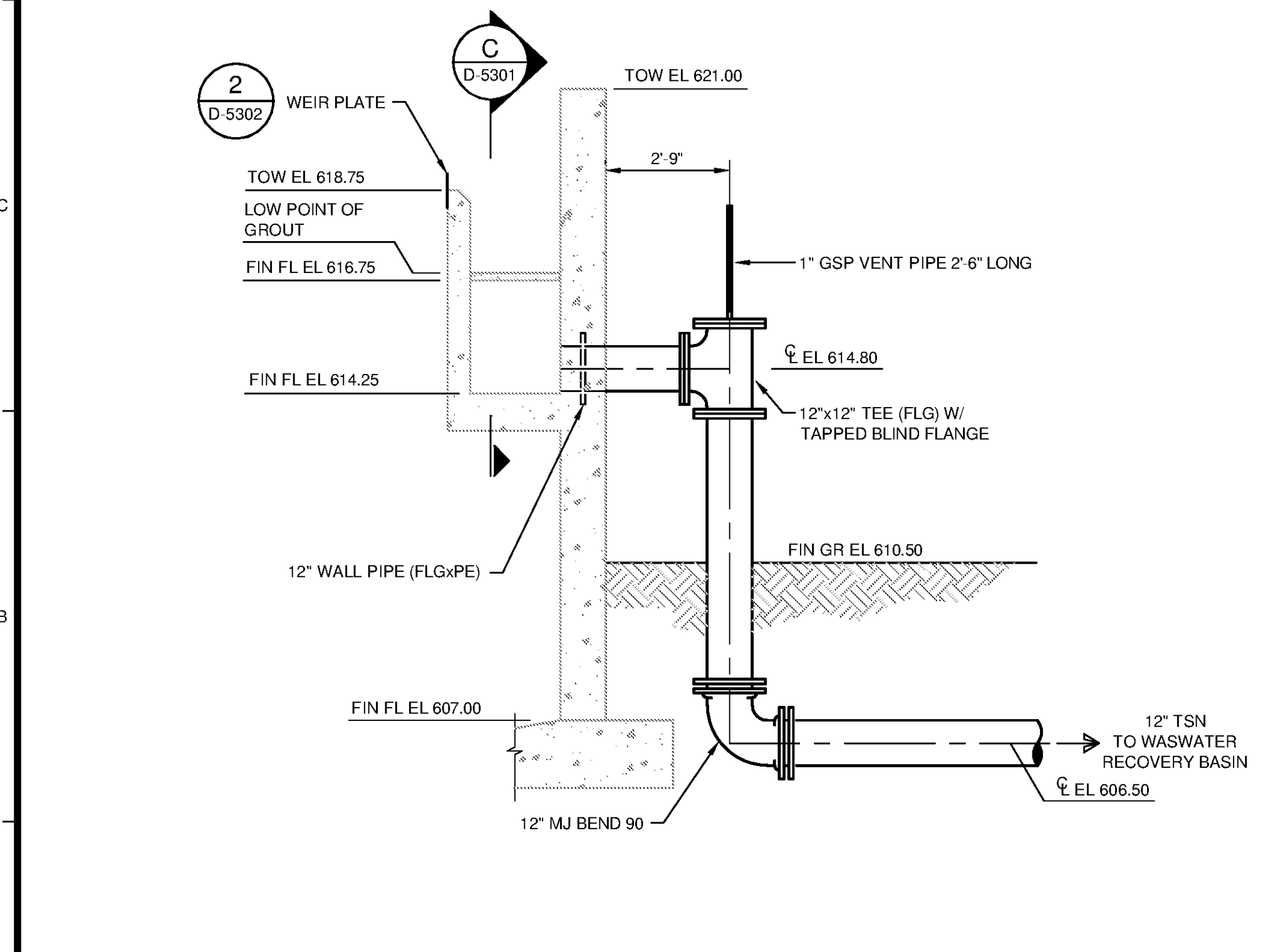


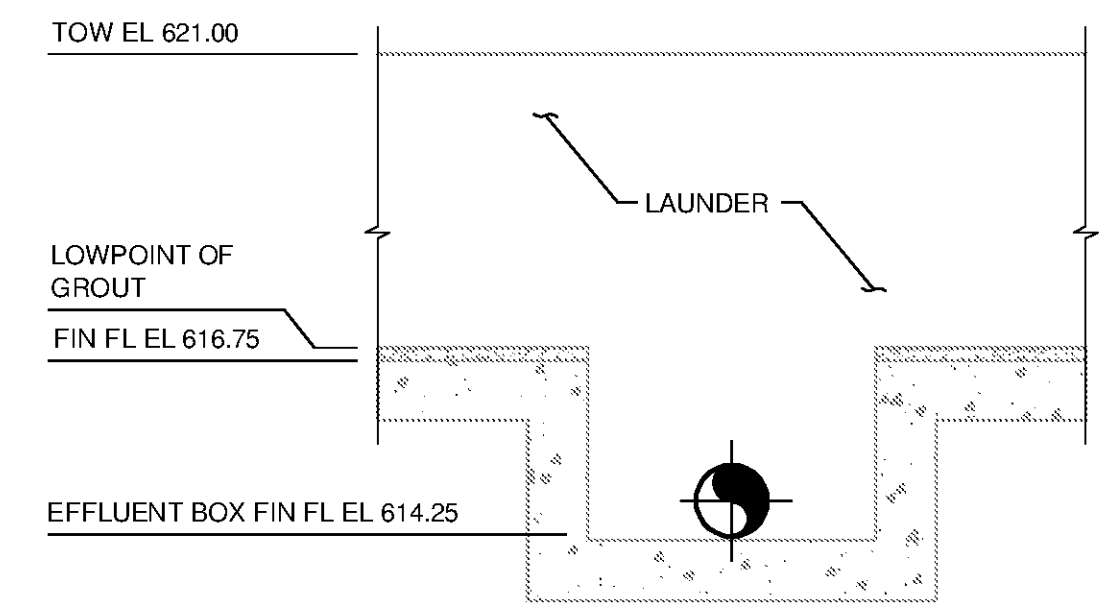
10/17/2014 3:48:06 PM P:\I\ER11740\200-11740-10003\CAD\SHEETFILES\TREATMENT PLANT\WTP D-5301\SLUDGE THICKENER EQUIPMENT SECTIONS.DWG - EVANS, JON



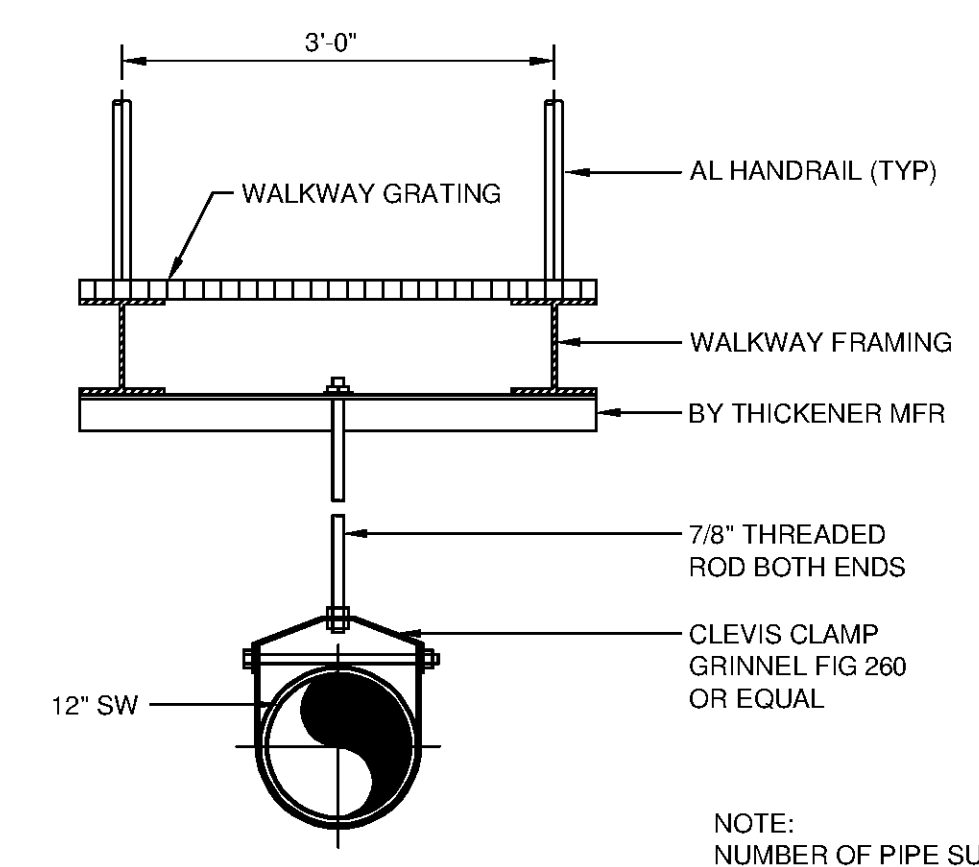
**A SECTION**  
D-5102 SCALE: 1/4"=1'-0"



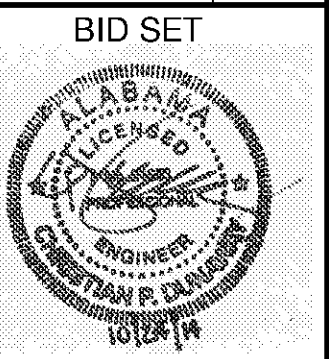
**B SECTION**  
D-5102 SCALE: 3/8"=1'-0"



**C SECTION**  
D-5301 SCALE: 3/8"=1'-0"



**D SECTION**  
D-5102 SCALE: 3/4"=1'-0"



BID SET

MARK	DATE	DESCRIPTION

HUNTSVILLE UTILITIES  
SOUTHEAST WATER TREATMENT PLANT  
**SLUDGE THICKENER  
EQUIPMENT SECTIONS**

Project No.: 200-11740-10003  
Designed By: SGN  
Drawn By: SGN  
Checked By: JPT

**D-5301**