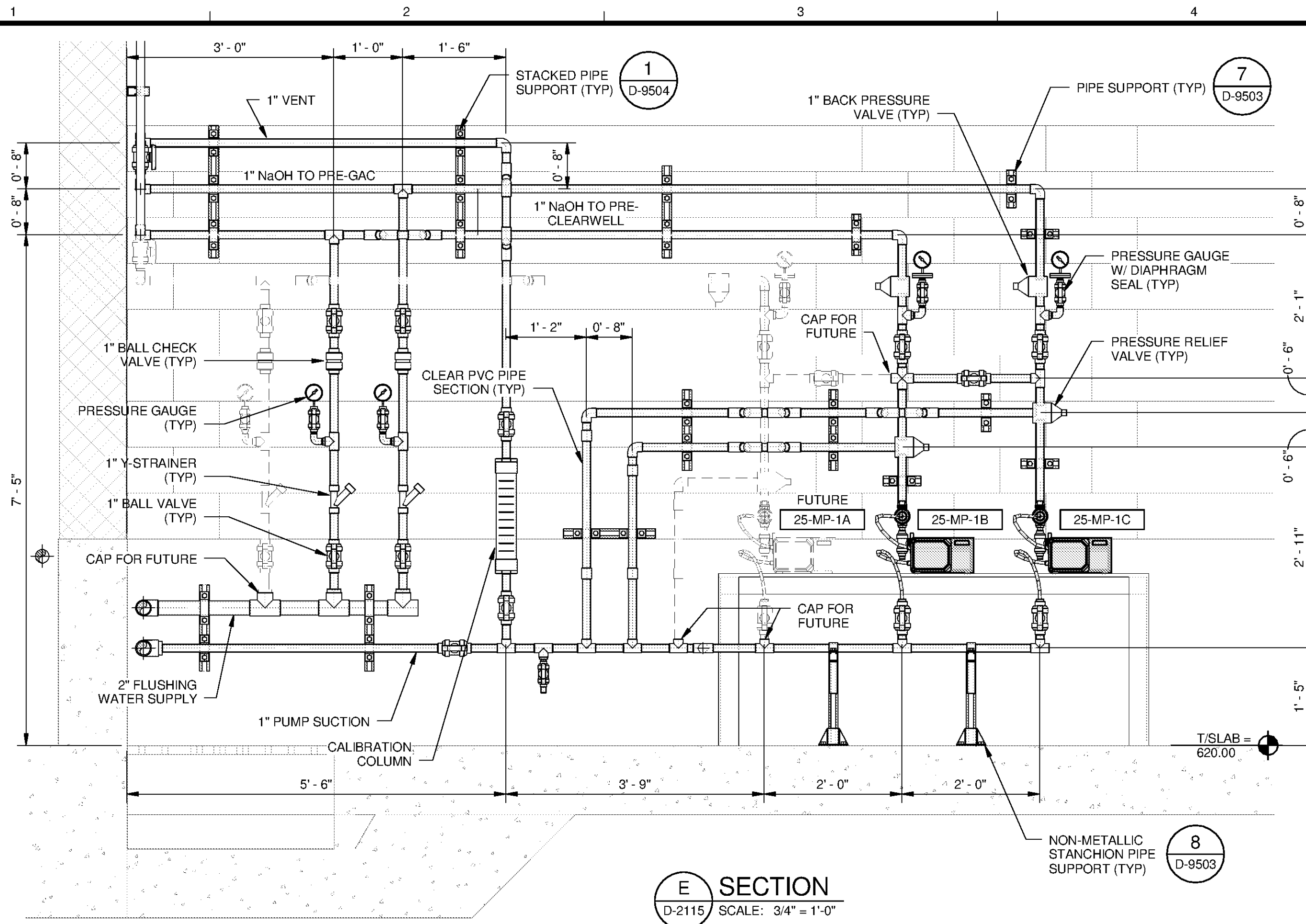
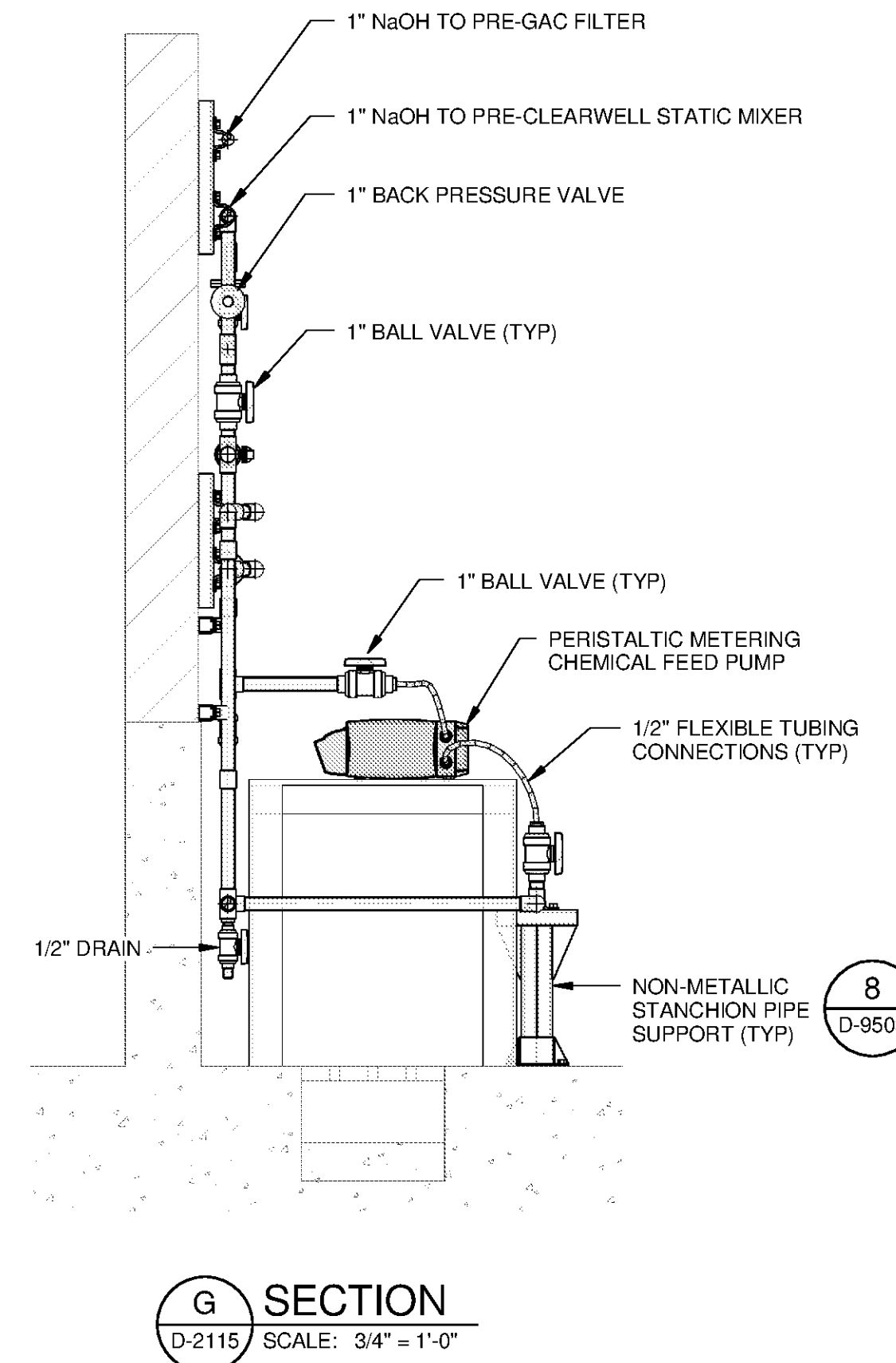


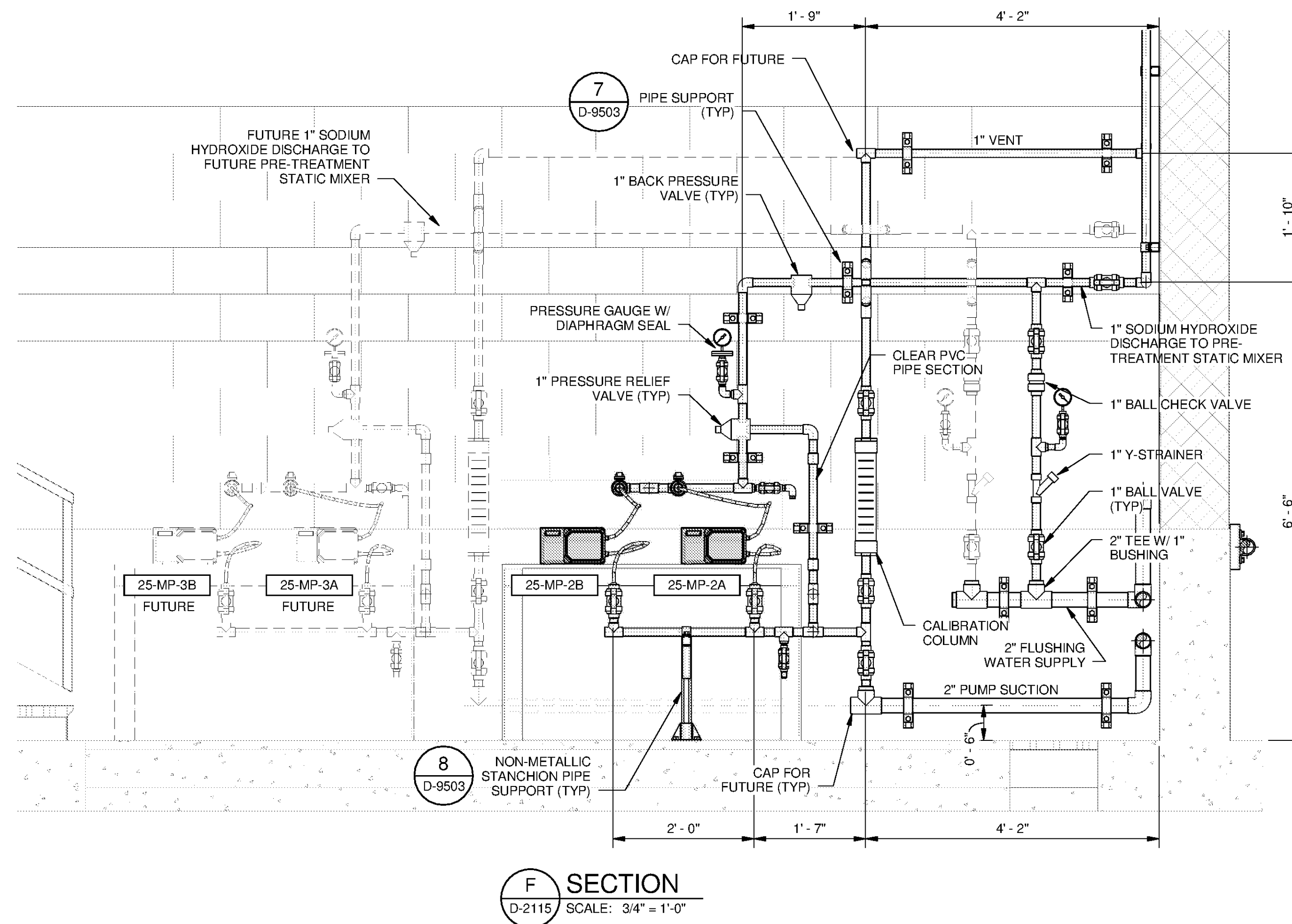
10/17/2014 4:41:06 PM C:\Users\ion.evans\Desktop\Active Projects\Revit\WTP-11740-D-MAINPR\_ion.evans.rvt



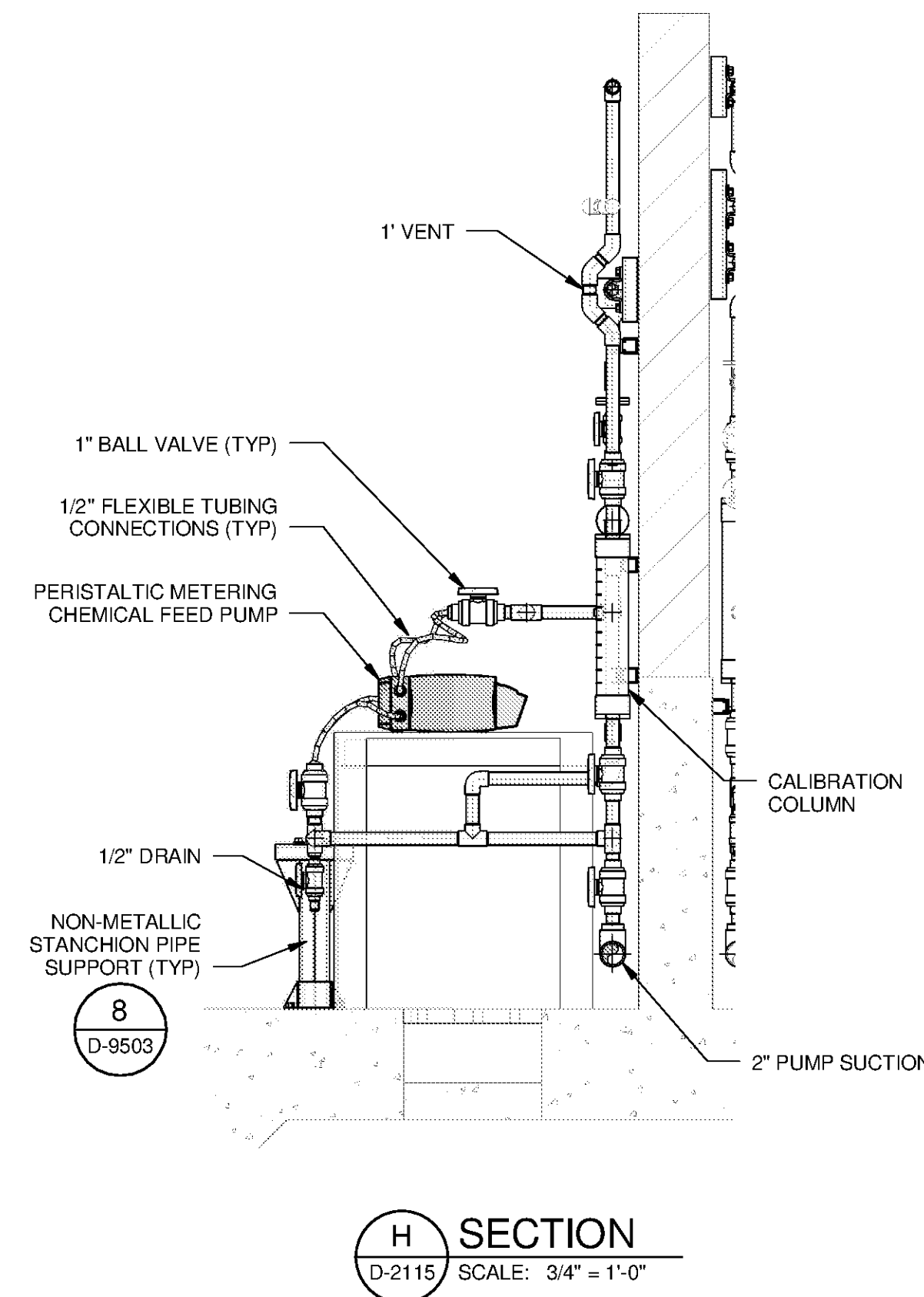
**E SECTION**  
D-2115 SCALE: 3/4" = 1'-0"



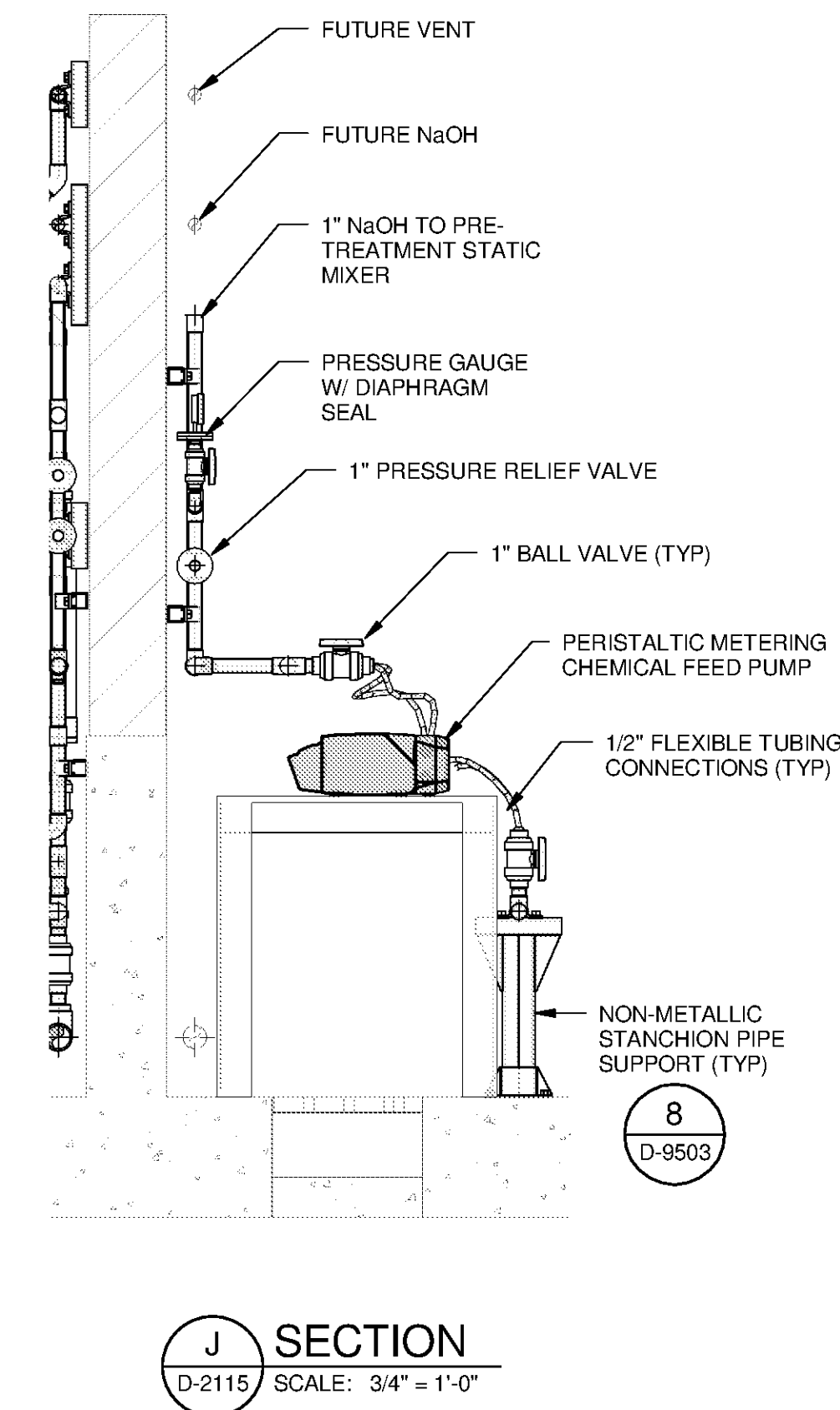
**G SECTION**  
D-2115 SCALE: 3/4" = 1'-0"



**F SECTION**  
D-2115 SCALE: 3/4" = 1'-0"



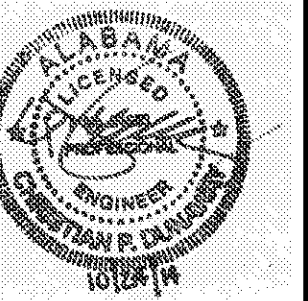
**H SECTION**  
D-2115 SCALE: 3/4" = 1'-0"



**J SECTION**  
D-2115 SCALE: 3/4" = 1'-0"



BID SET



MARK	DATE	DESCRIPTION	BY

HUNTSVILLE UTILITIES  
SOUTHEAST WATER TREATMENT PLANT  
**SODIUM HYDROXIDE BULK STORAGE & FEED SYSTEM SECTIONS**

Project No.: 200-11740-10003  
Designed By: JCB  
Drawn By: JTE  
Checked By: JPT

**D-2315**

Bar Measures 1 Inch

Copyright: Tetra Tech