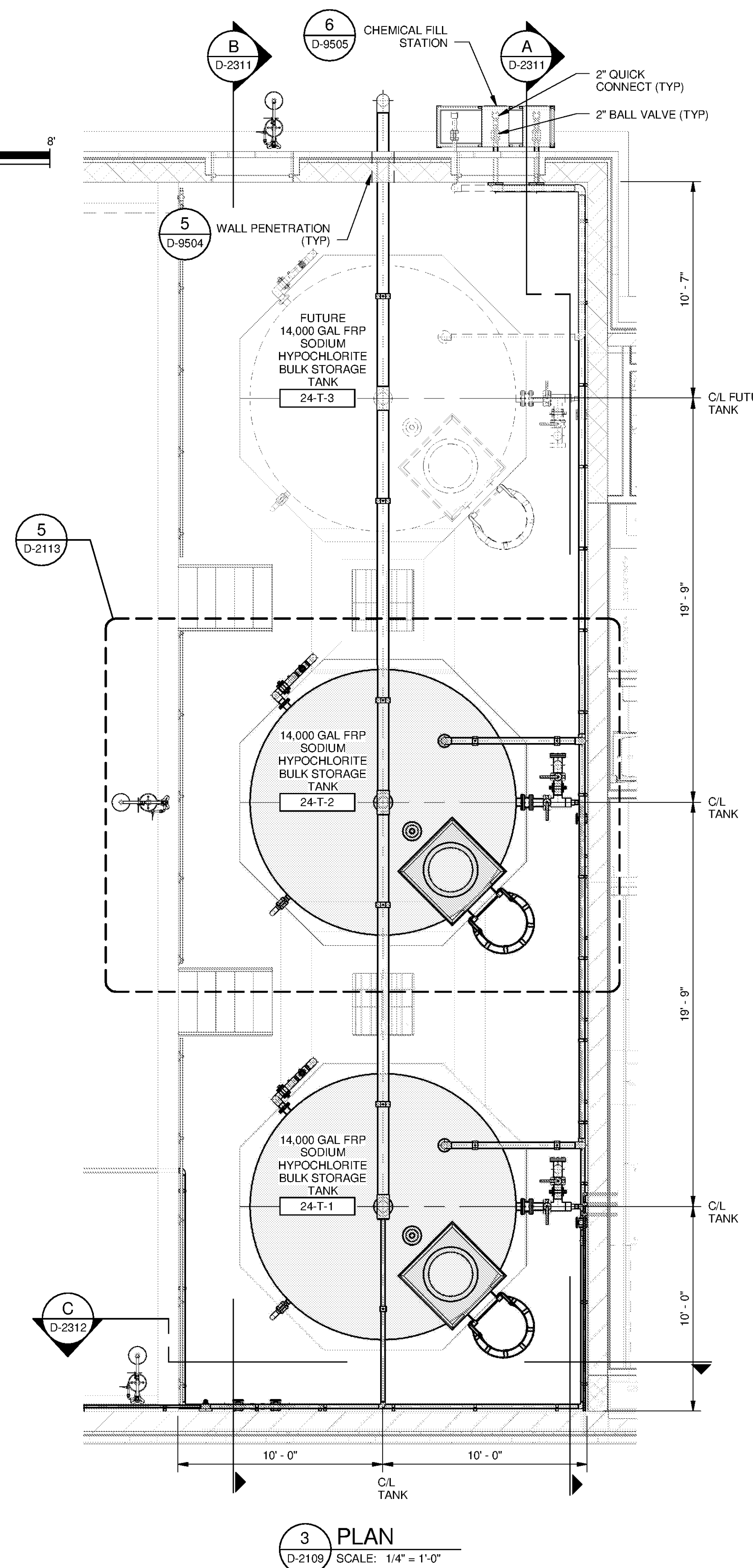
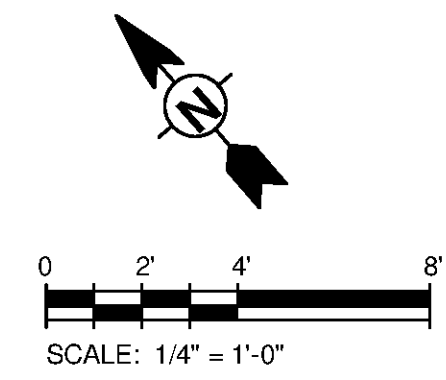
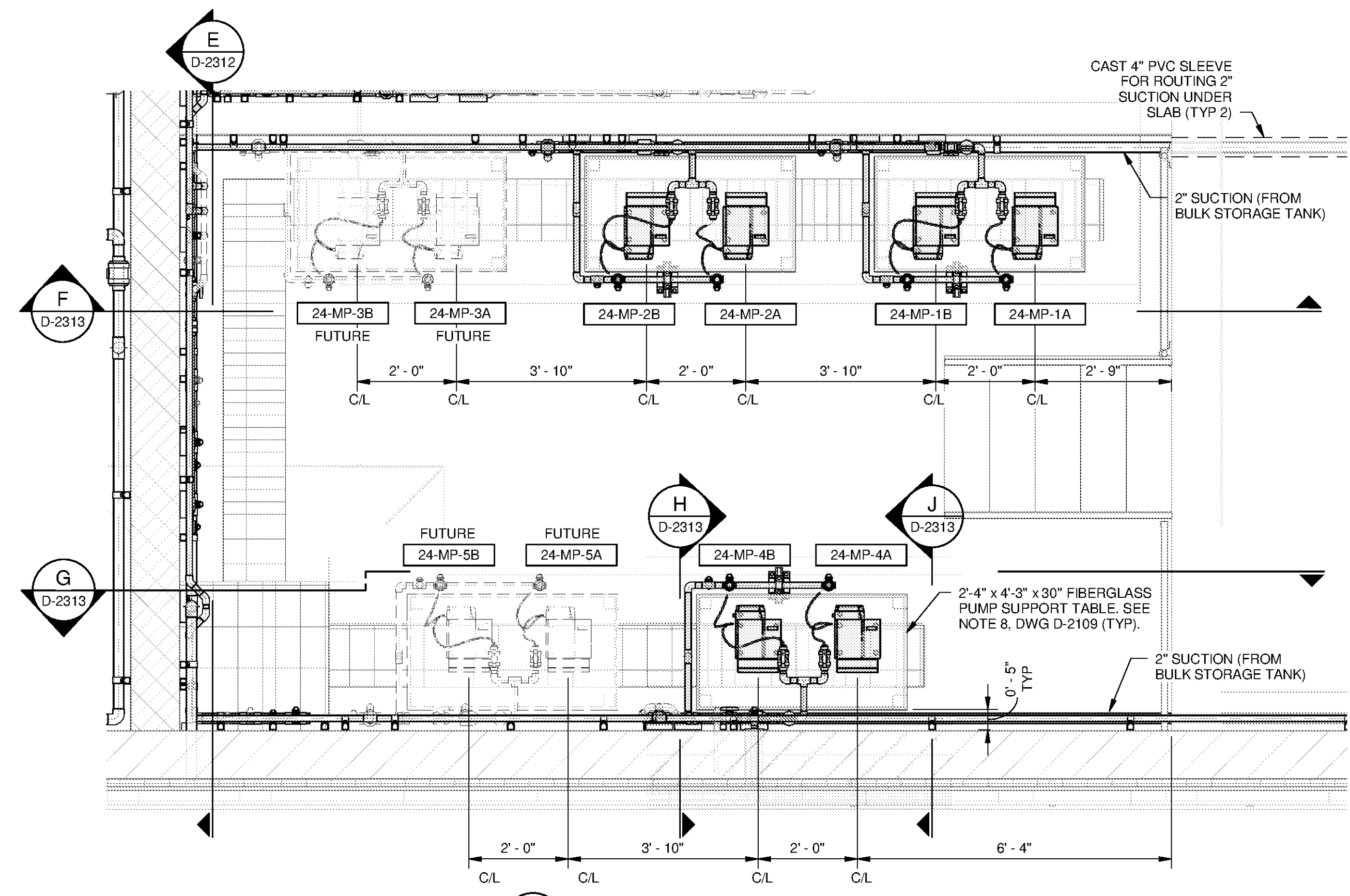


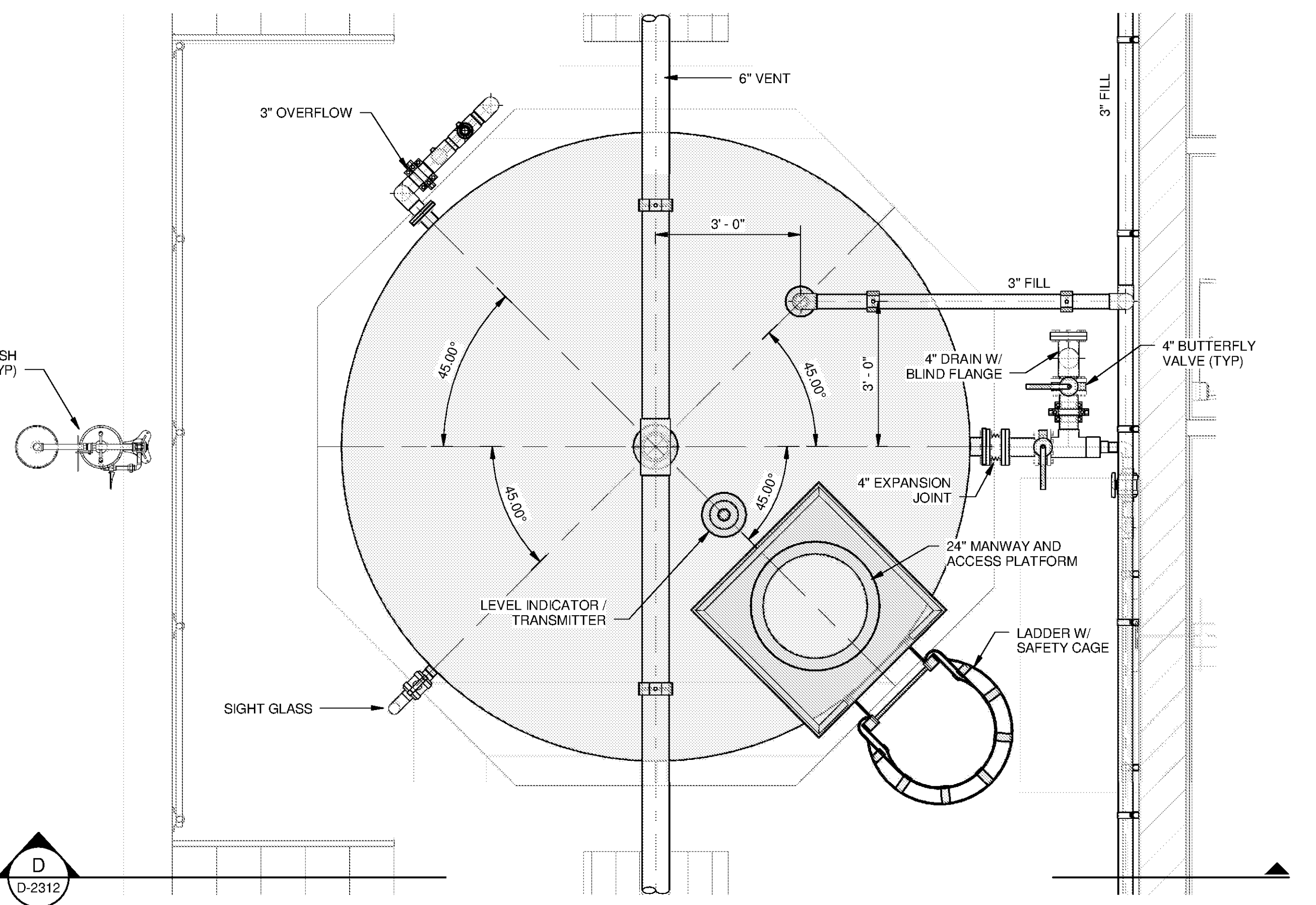
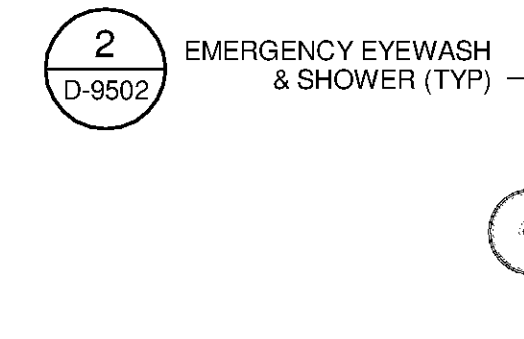
10/17/2014 4:36:02 PM C:\Users\ion.evans\Desktop\Active Projects\Revit\WTP-11740-D-MAINPR Ion.evans.rvt



3 PLAN
D-2109 SCALE: 1/4" = 1'-0"



4 ENLARGED PLAN
D-2109 SCALE: 1/2" = 1'-0"



5 ENLARGED PLAN
D-2113 SCALE: 1/2" = 1'-0"

TETRA TECH
www.tetrattech.com
101 QUALITY CIRCLE, SUITE 140
HUNTSVILLE, ALABAMA 35896
PHONE: (256) 424-4077 FAX: (256) 424-4087

BID SET
Professional Engineer Seal for Alabama, License No. 101247

MARK	DATE	DESCRIPTION	BY

HUNTSVILLE UTILITIES
SOUTHEAST WATER TREATMENT PLANT
**SODIUM HYPOCHLORITE
BULK STORAGE & FEED
SYSTEM PLANS**

Project No.: 200-11740-10003
Designed By: JCB
Drawn By: JTE
Checked By: JPT

D-2113