

Table with 7 columns: BUILDING, ROOM NO., ROOM NAME, SIGN TYPE, LOCATION, MESSAGE, NOTES. Contains 'SIGNAGE SCHEDULE' data for various rooms like CHEM FEED, FINISHED WATER, GAC/BAC, etc.

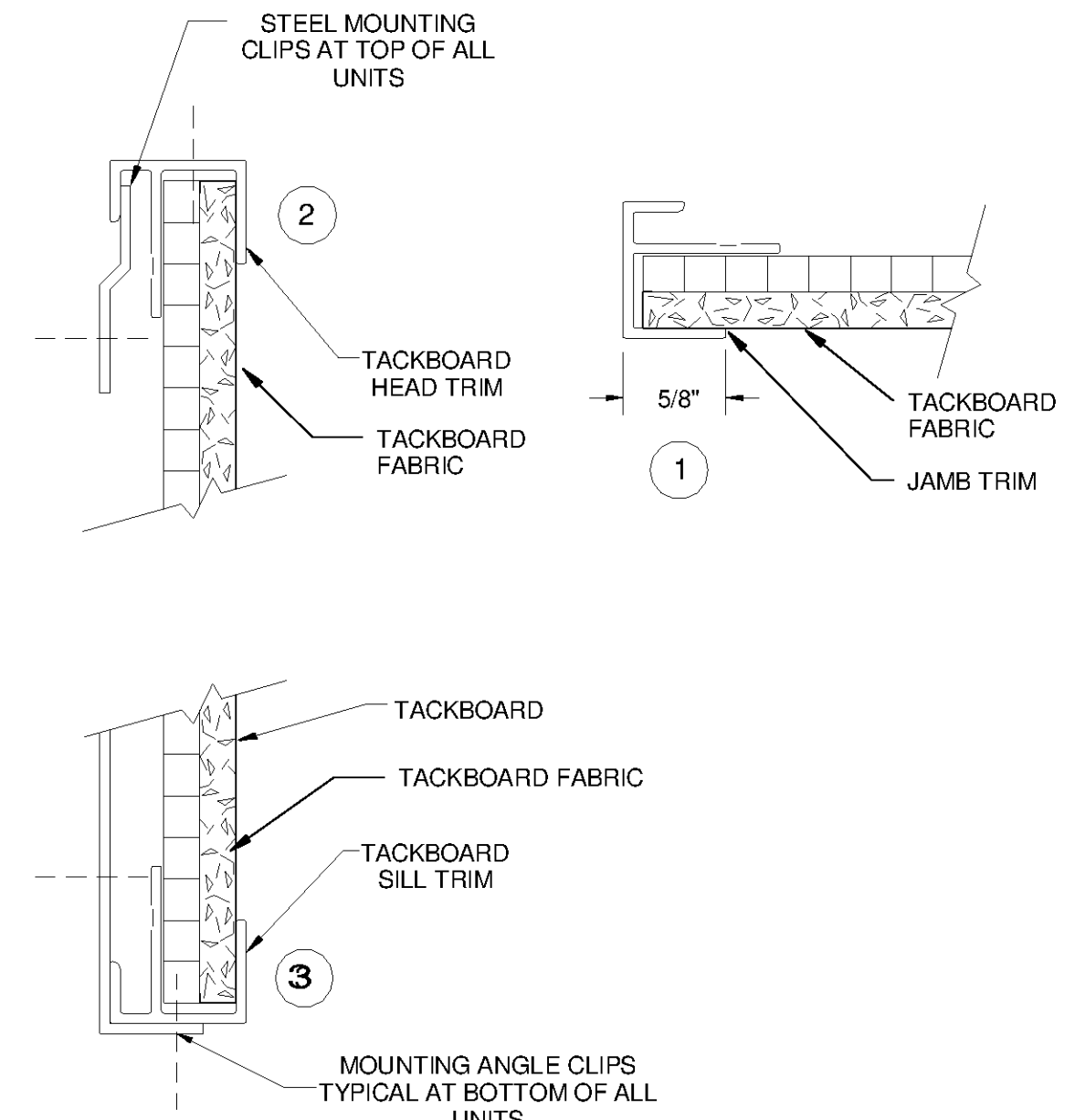
NOTE 1. ALL EXTERIOR PASSAGE DOORS ARE TO HAVE A NUMERIC SIGN INDICATING A SEQUENTIAL NUMBERING SYSTEM FOR SITE DOOR IDENTIFICATION. THE NUMBERING SEQUENCE STARTS AT THE MAIN ENTRANCE DOOR IN THE OPERATIONS BUILDING IN VESTSTIBULE 100.

Table with 6 columns: ABBREVIATION, DESCRIPTION, MANUFACTURER, MODEL / PATTERN, COLOR, LOCATION. Contains 'COLOR LIST' data for materials like ACT-1, ADF-1, AF-1, etc.

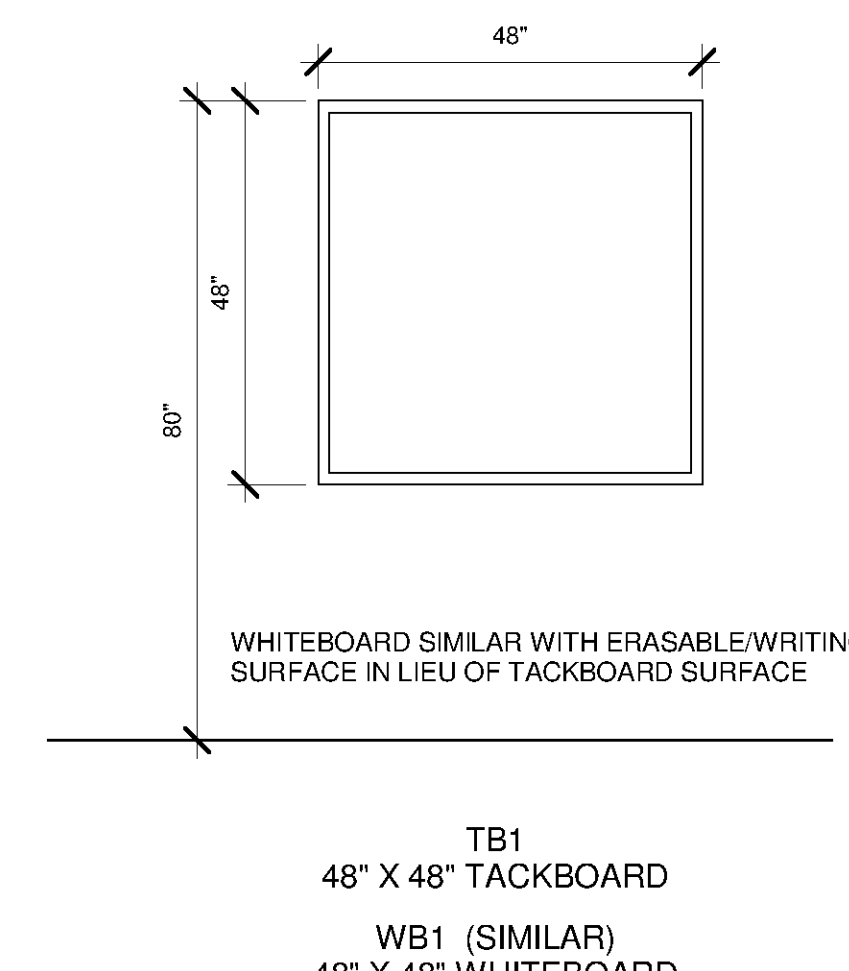
LISTED MANUFACTURER NOTE:

MANUFACTURERS ARE REFERENCED TO ESTABLISH STYLE, SIZE, COLOR AND MATERIAL CHARACTERISTICS AND ARE NOT INTENDED TO LIMIT SELECTIONS FROM OTHER MANUFACTURERS. WHEN AN ALTERNATE SELECTION IS SUBMITTED, SUBMITTALS SHALL HAVE INCLUDED THE MATERIAL LISTED FOR COMPARISON.

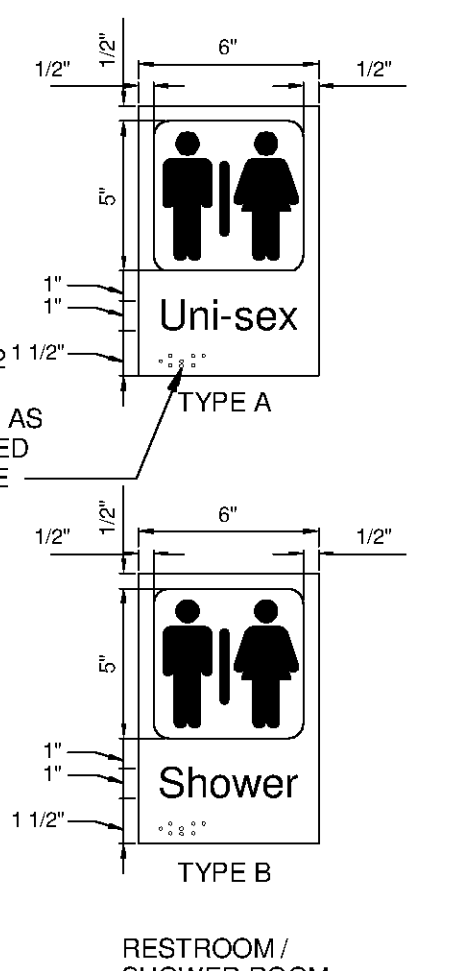
FOR PURPOSE OF COLOR CONSISTANCY - KYNAR 500 SKY BLUE EQUALS FEDERAL STANDARD 595 COLOR 25183.



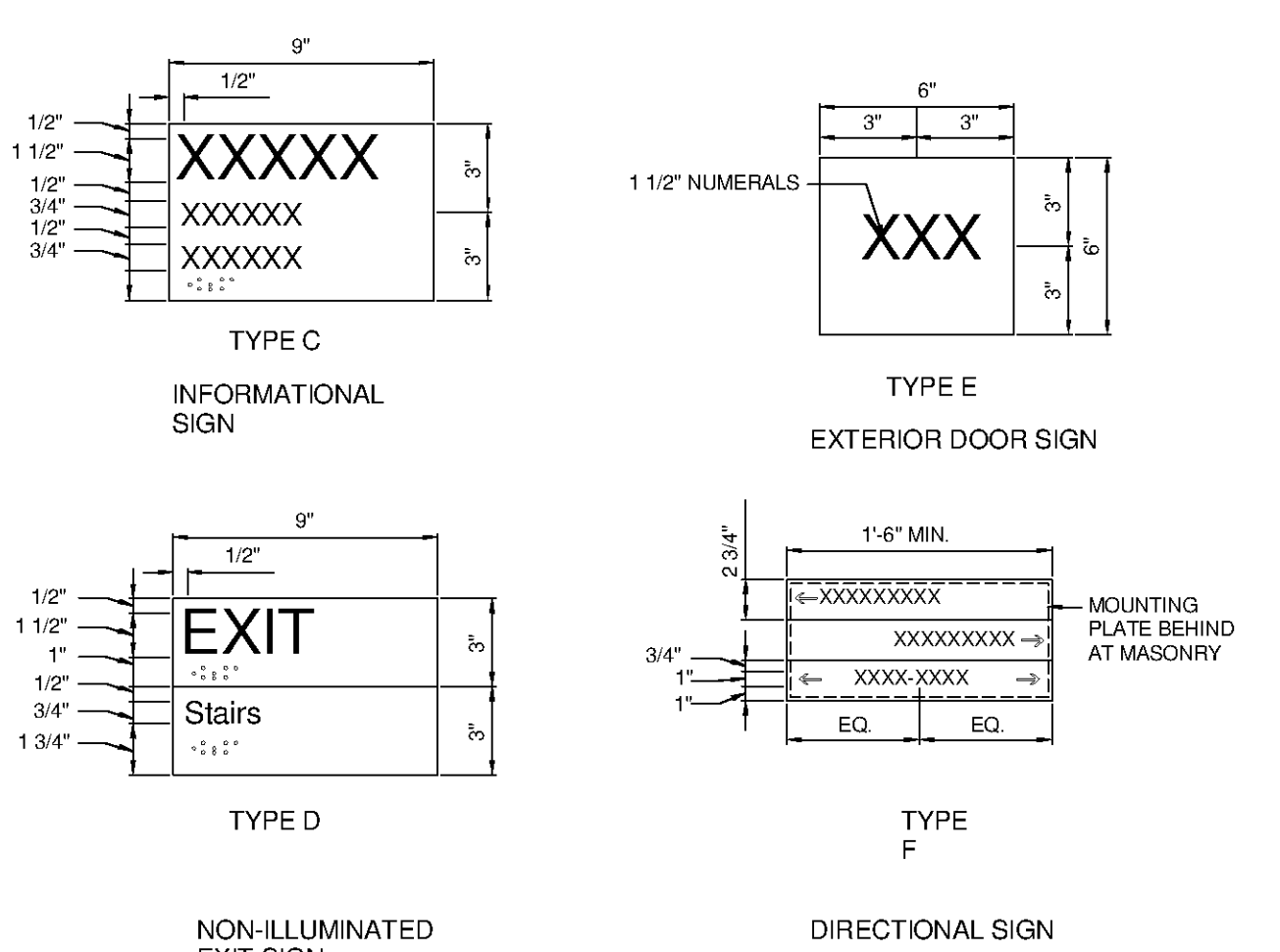
1 TACKBOARD DETAILS SCALE: 6" = 1'-0"



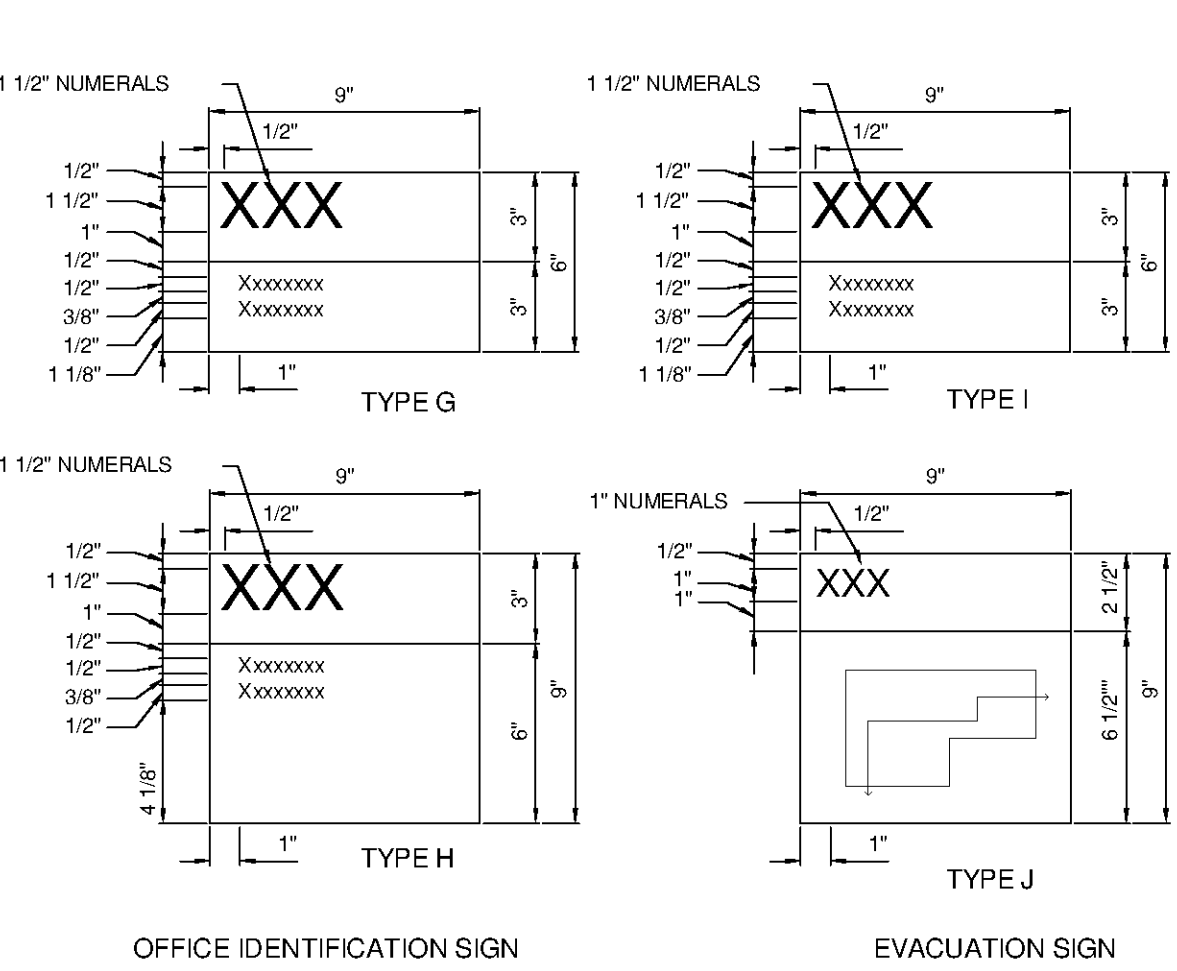
2 TYPICAL MOUNTING HEIGHTS SCALE: 1/2" = 1'-0"



3 SIGNAGE TYPES SCALE: NTS



4 INFORMATIONAL AND DIRECTIONAL SIGNS SCALE: NTS



5 OFFICE IDENTIFICATION AND EVACUATION SIGNS SCALE: NTS

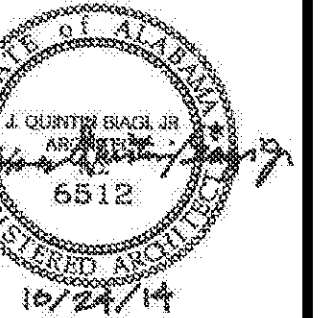


Table with columns: BY, DATE, MARK, DESCRIPTION.

HUNTSVILLE UTILITIES SOUTHEAST WATER TREATMENT PLANT ARCHITECTURAL SCHEDULES

Project No.: 200-11740-10003 Designed By: Q.BIAGI Drawn By: Q.BIAGI Checked By: D.GALANTE

A-9602

C:\Users\brent.fox\Documents\WTP-11740-S-GACBAC_brent.fox.rvt 10/1/2014 4:20:07 PM Copyright: Tetra Tech