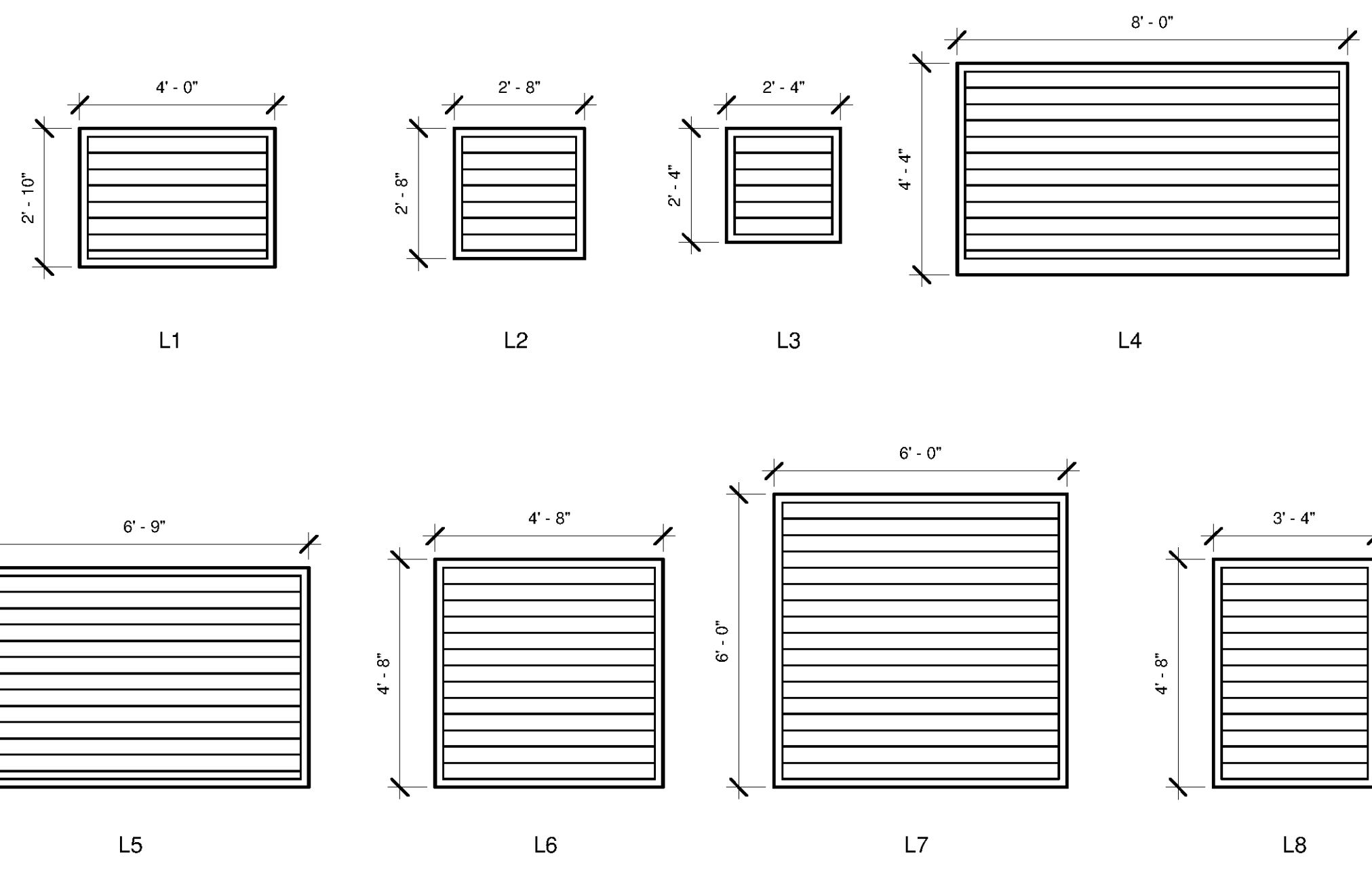


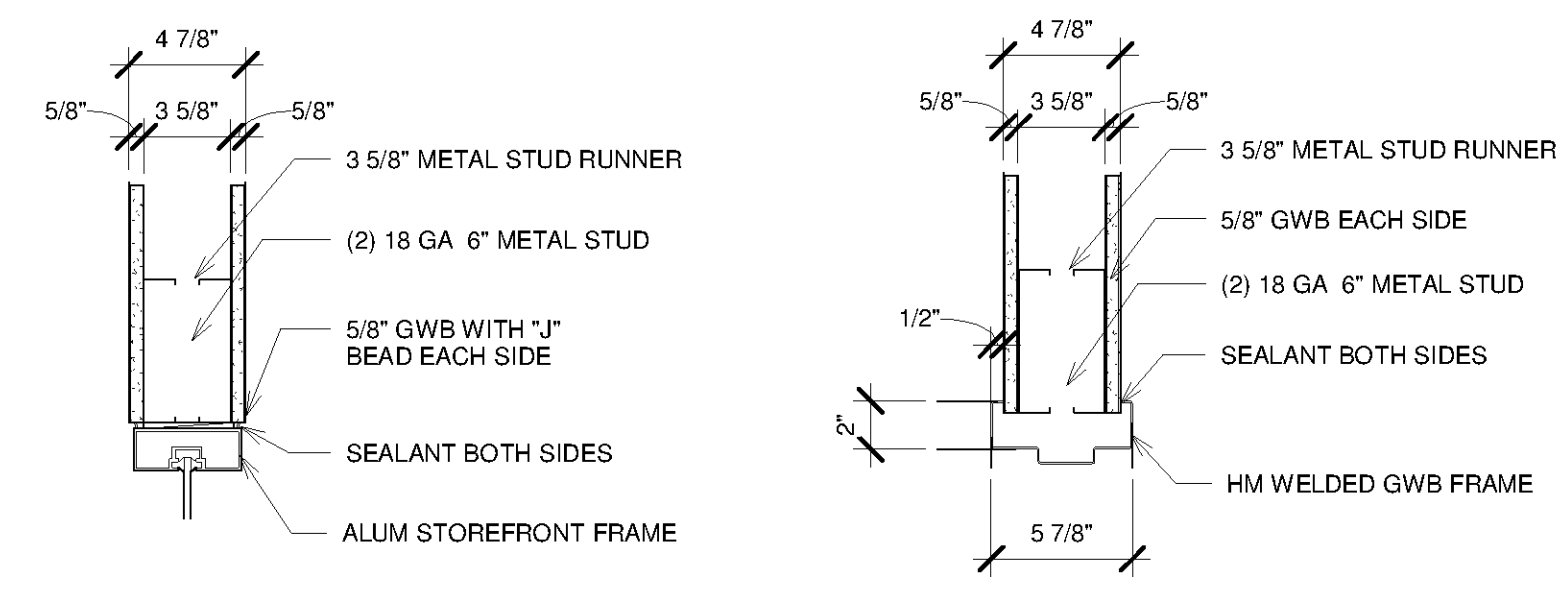
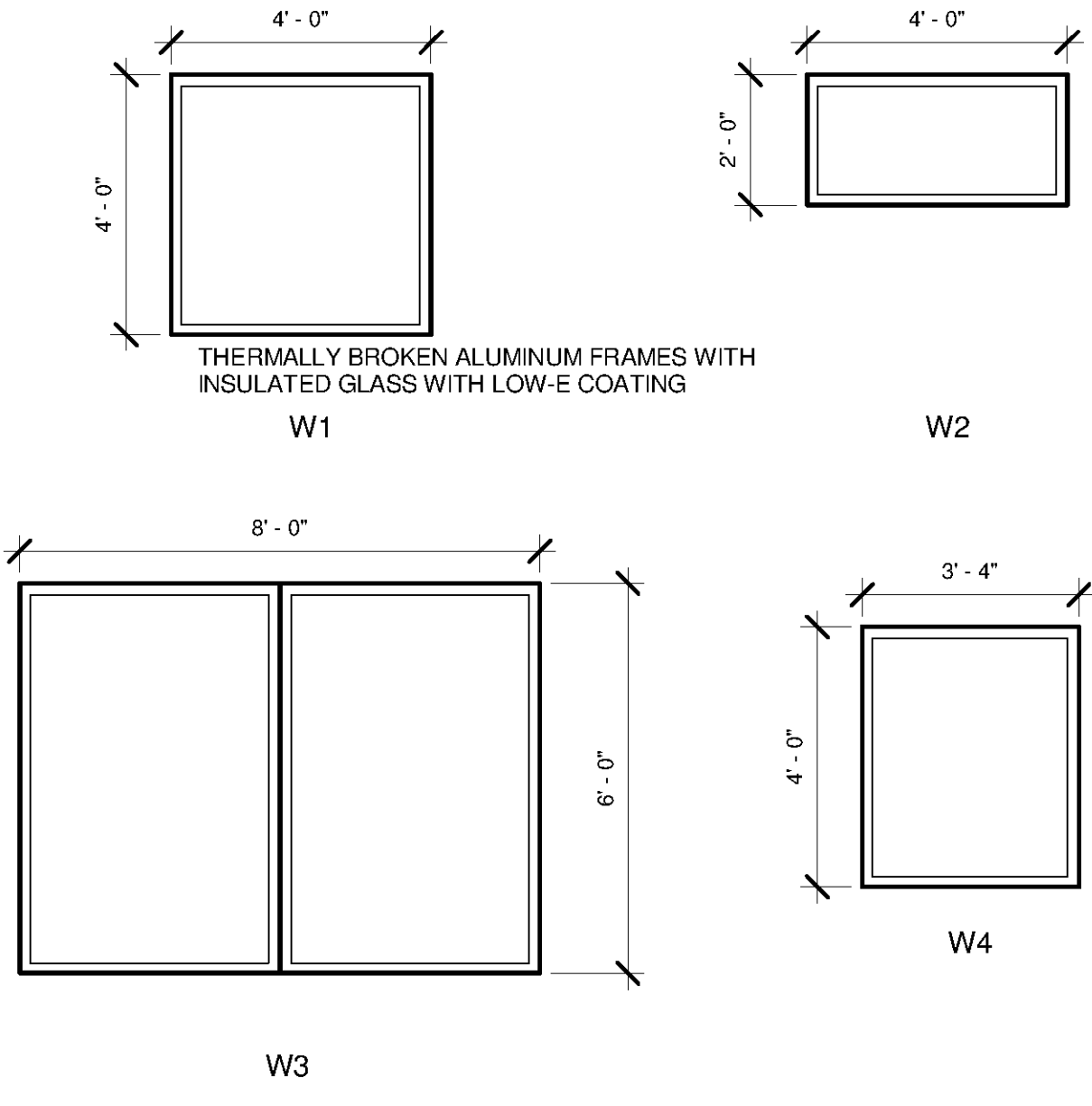
GENERAL NOTES - DOORS, FRAMES, WINDOWS AND SIGNAGE	
1	ALL EXTERIOR DOORS ARE TO BE PEBBLEGRAIN FRP FLUSH DOORS WITH ALUMINIUM FRAMES.
2	DOORS AND FRAME BASIS OF DESIGN COLOR KYNAR 500 PVDF RESIN BASED FINISH - SKY BLUE - COLOR SHALL MEET OR EXCEED AAMA 2605-05.
3	ALL OUTSIDE DIMENSIONS FOR EXTERIOR DOORS AND WINDOWS ARE ROUGH OPENINGS IN WALL. ACTUAL DOOR AND WINDOW DIMENSIONS SHALL BE DETERMINED BY MANUFACTURER'S SHOP DRAWINGS.
4	WINDOWS BASIS OF DESIGN: KAWNEER AA 3350 ISOPORT WINDOW OR APPROVED EQUAL
5	ALL EXTERIOR GLAZING SHALL BE GREY LOW IRON INSULATING GLASS UNITS WITH LOW-E COATING. UNO.
6	EXTERIOR DIMENSIONAL METAL LETTERS SHALL BE CLEAR ANODIZED ALUMINIUM 12" HIGH WITH MINIMUM OF 2 STANDOFF POSTS.
7	REFER TO DRAWING A-9602 FOR SIGNAGE SCHEDULE AND SIGNAGE TYPES SHOWN.
8	ALL INTERIOR SIGNAGE (TEXT, BRAILLE, PICTOGRAMS, SIZES, ETC) SHALL CONFORM WITH ICC/ANSI A117.1 'ACCESSIBLE AND USABLE BUILDINGS AND FACILITIES', CHAPTER 703.
9	ALL PERMANENT SIGNAGE TEXT TO BE VERIFIED WITH OWNER PRIOR TO FABRICATION.
10	BASIS OF DESIGN INTERIOR SIGNAGE: BEST SIGN SYSTEMS, INC H300 SERIES ADA SIGNS - COLOR MP56060 PRICKLY PEAR LRV 8 OR APPROVED EQUAL

**LISTED MANUFACTURER NOTE:**  
 MANUFACTURERS ARE REFERENCED TO ESTABLISH STYLE, SIZE, COLOR AND MATERIAL CHARACTERISTICS AND ARE NOT INTENDED TO LIMIT SELECTIONS FROM OTHER MANUFACTURERS. WHEN AN ALTERNATE SELECTION IS SUBMITTED, SUBMITTALS SHALL HAVE INCLUDED THE MATERIAL LISTED FOR COMPARISON.

GENERAL NOTES - ARCHTECTURAL LOUVERS	
1	STATIONARY ALUMINIUM 4" DEEP, DRAINABLE LOUVERS WITH 45 DEGREE BLADE ANGLE
2	BASIS OF DESIGN COLOR KYNAR 500 PVDF RESIN BASED FINISH - SKY BLUE - COLOR SHALL MEET OR EXCEED AAMA 2605-05.
3	SEE A-9502 DETAILS 9, 10 & 11 FOR HEAD, JAMB AND SILL DETAILS
4	PROVIDE BIRD SCREENS AT ALL ARCHTECTURAL LOUVERS UNO.

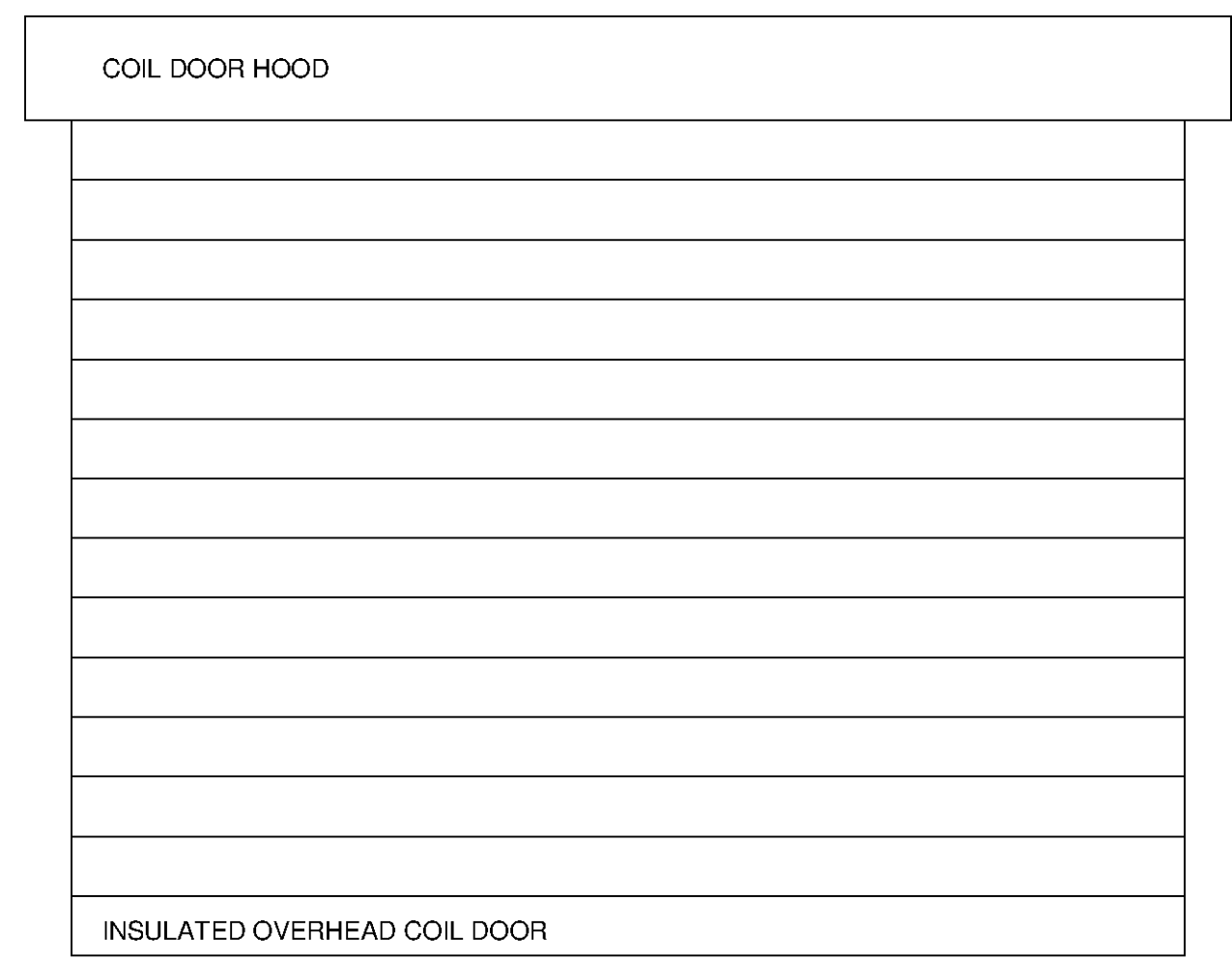


**LOUVERS**



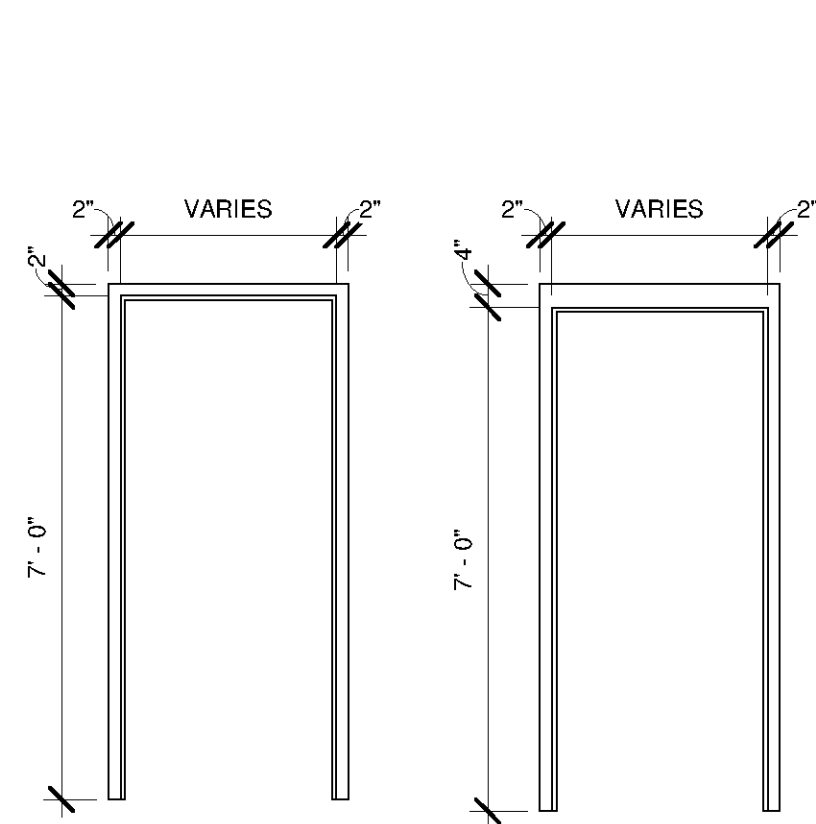
**1 DOOR HEAD TYPE C**  
 SCALE: 1 1/2" = 1'-0"  
 JAMB SIMILAR

**2 DOOR HEAD TYPE C.1**  
 SCALE: 1 1/2" = 1'-0"  
 JAMB SIMILAR

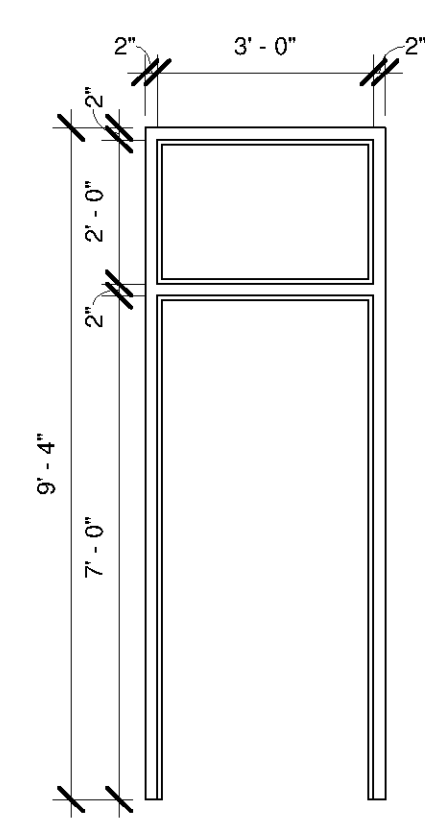


**OPENINGS LEGEND**

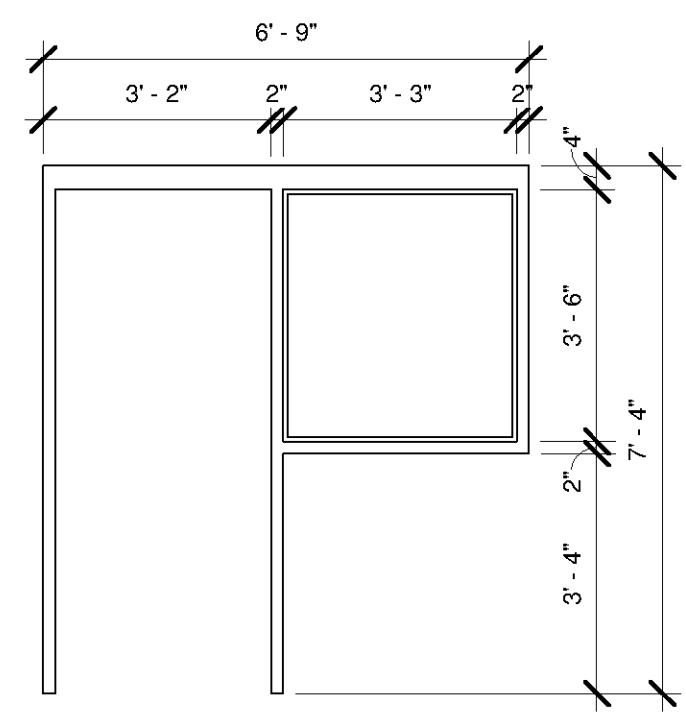
OHC



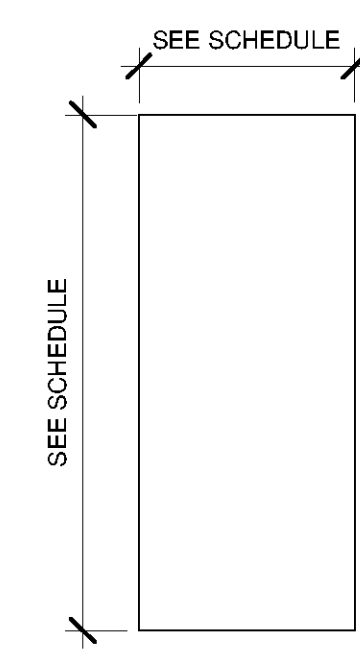
ALUMINIUM AND HM STEEL DOOR FRAMES SIMILAR  
 F1 F2



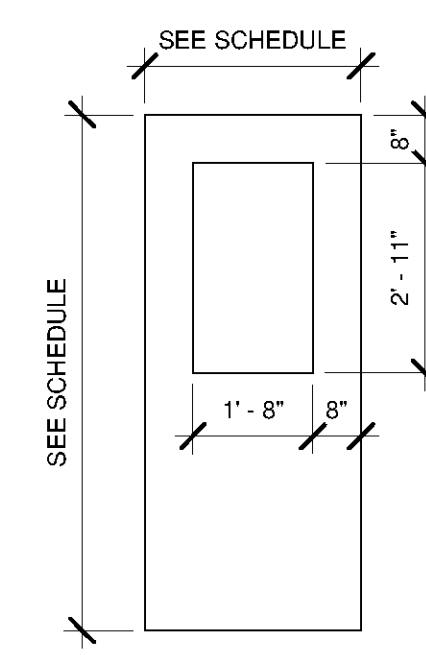
F5



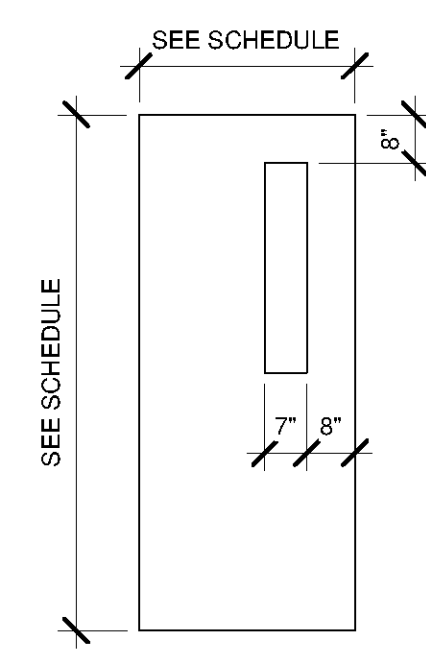
F8



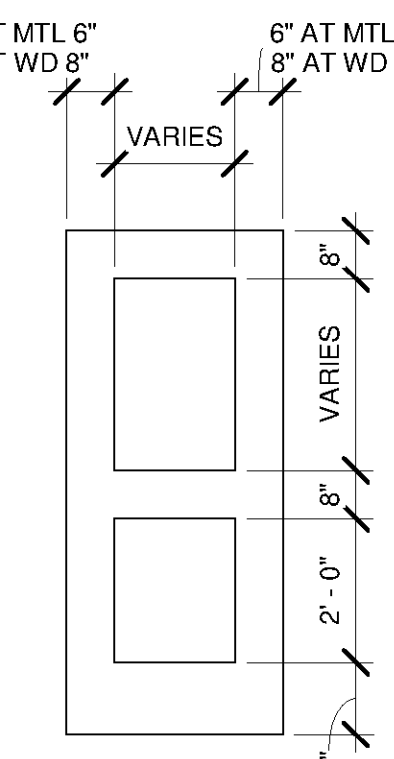
FRP AND HM STEEL DOORS SIMILAR  
 F



G



N



G2

**TETRA TECH**  
 www.tetra-tech.com  
 101 QUALITY CIRCLE, SUITE 140  
 HUNTSVILLE, ALABAMA 35806  
 PHONE: (256) 424-4077 FAX: (256) 424-4087

BID SET

MARK	DATE	DESCRIPTION	BY

HUNTSVILLE UTILITIES  
 SOUTHEAST WATER TREATMENT PLANT  
**DOOR AND WINDOW DETAILS**

Project No.: 200-11740-10003  
 Designed By: Q.BIAGI  
 Drawn By: Q.BIAGI  
 Checked By: D.GALANTE

**A-9601**