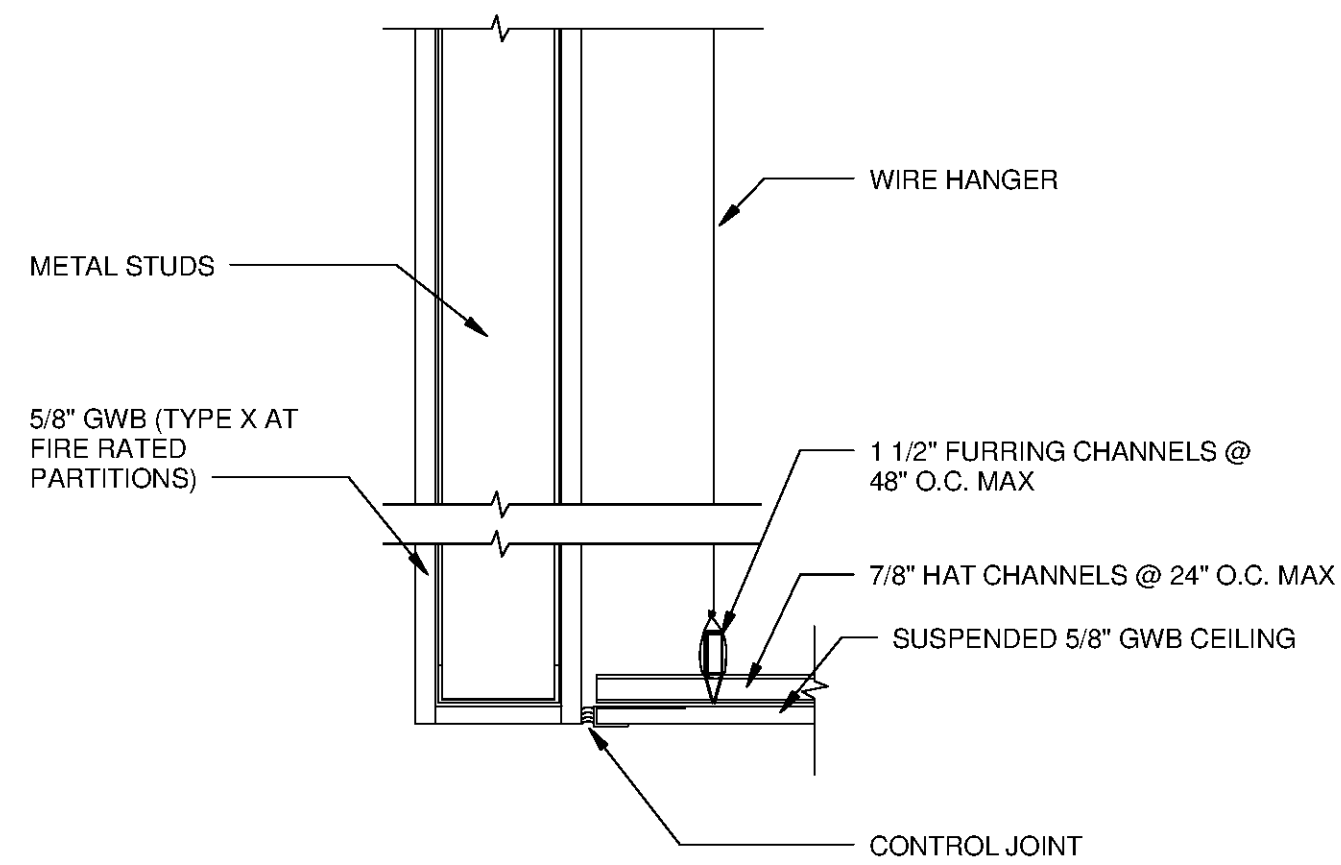
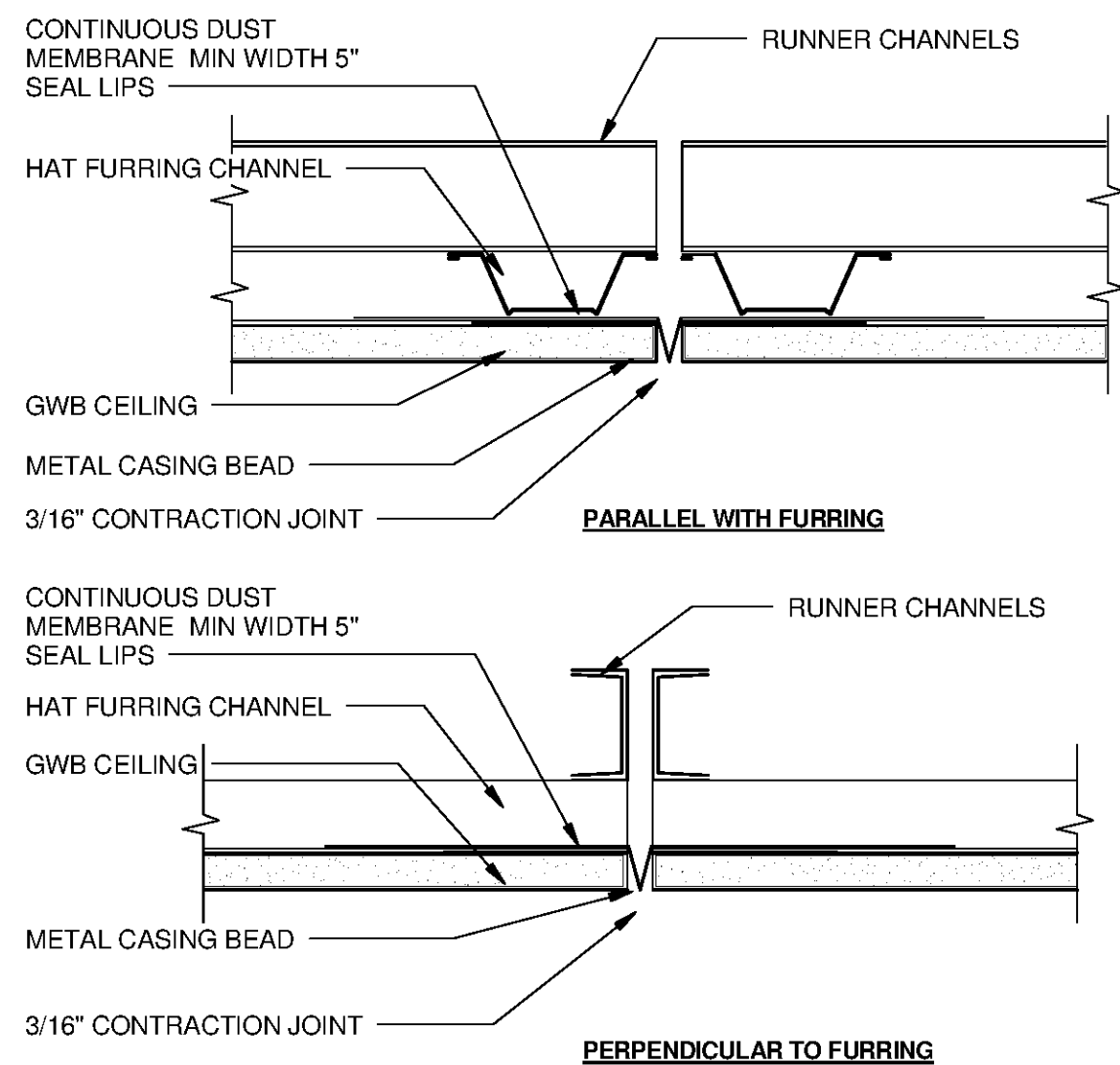


12 LAY-IN CEILING DETAIL B
SCALE: 1 1/2" = 1'-0"

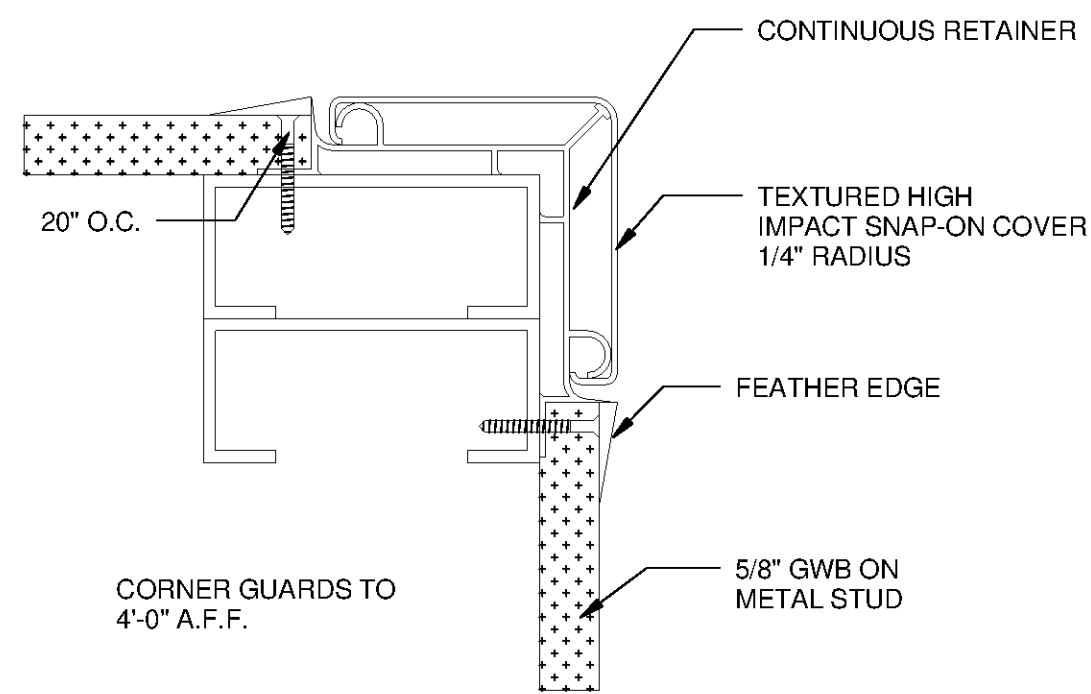


13 GWB CEILING DETAIL
SCALE: 1 1/2" = 1'-0"

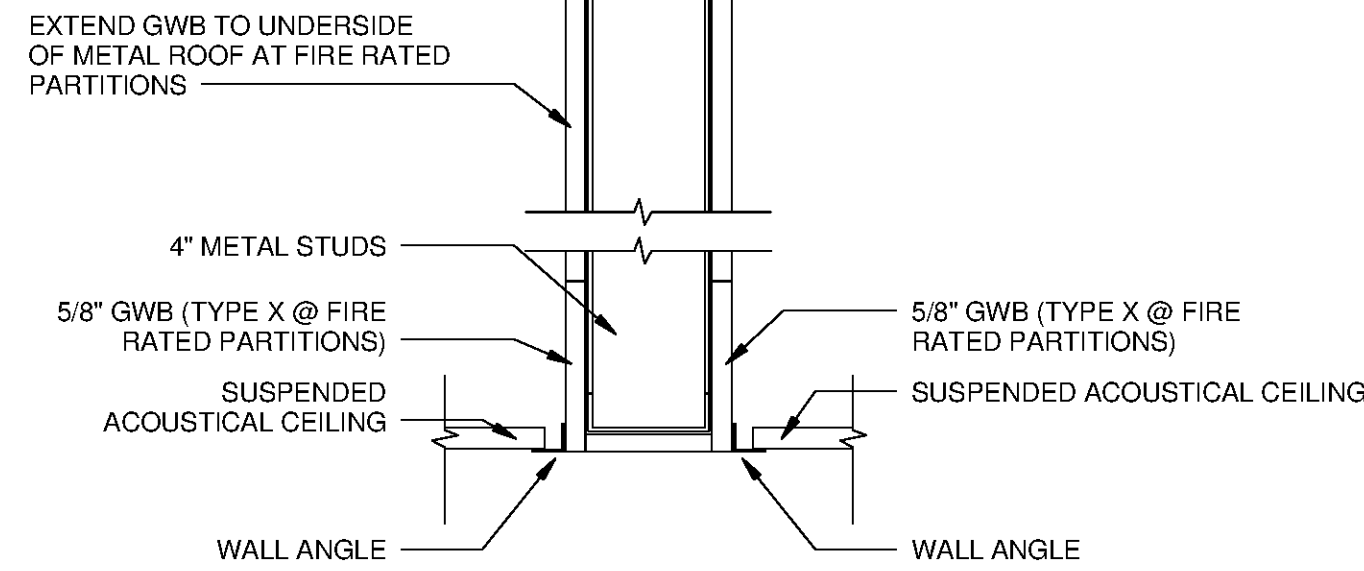
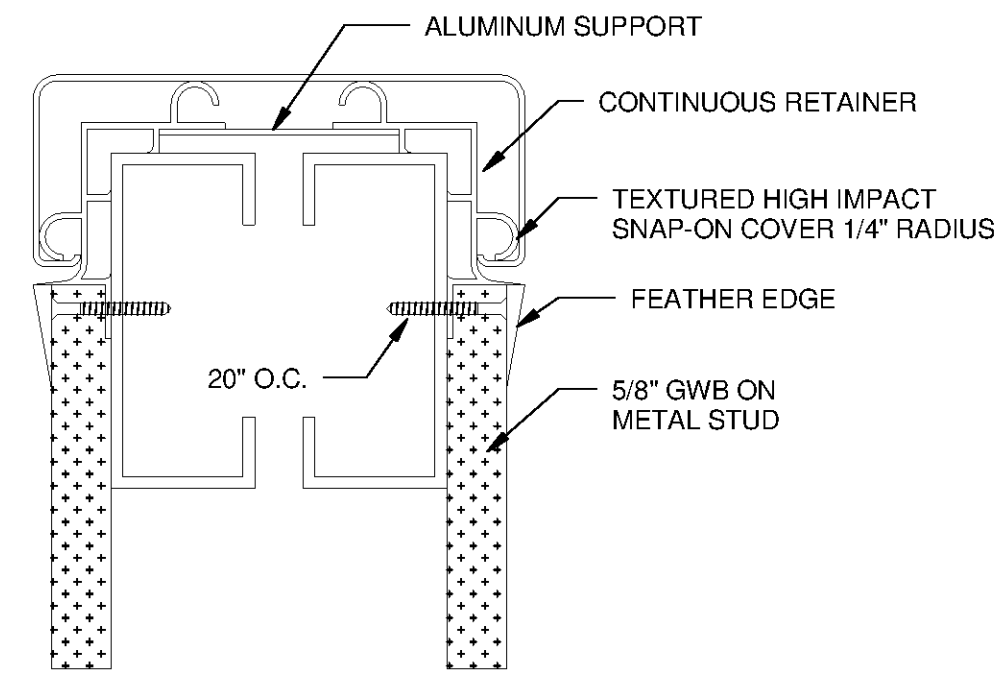


NOTE:
CONTROL JOINTS SHALL BE INSTALLED TO DIVIDE LONG NARROW AREAS OF GWB, SUCH AS OCCUR ON CORRIDOR CEILING, INTO LENGTHS OF NO MORE THAN 40 FEET AND SHALL BE INSTALLED AT EXPANSION OR CONTRACTION JOINTS IN THE STRUCTURAL FRAMEWORK OVER WHICH GYPSUM BOARD IS REQUIRED. CONTROL JOINTS FOR WALLS SHALL BE INSTALLED AS DETAILED ABOVE WITH DUST MEMBRANE AND METAL CASSING BEADS APPLIED TO TWO WALL STUDS OR FURRING MEMBERS SPACE 3/4" APART.

14 CEILING CONTROL JOINTS
SCALE: 12" = 1'-0"

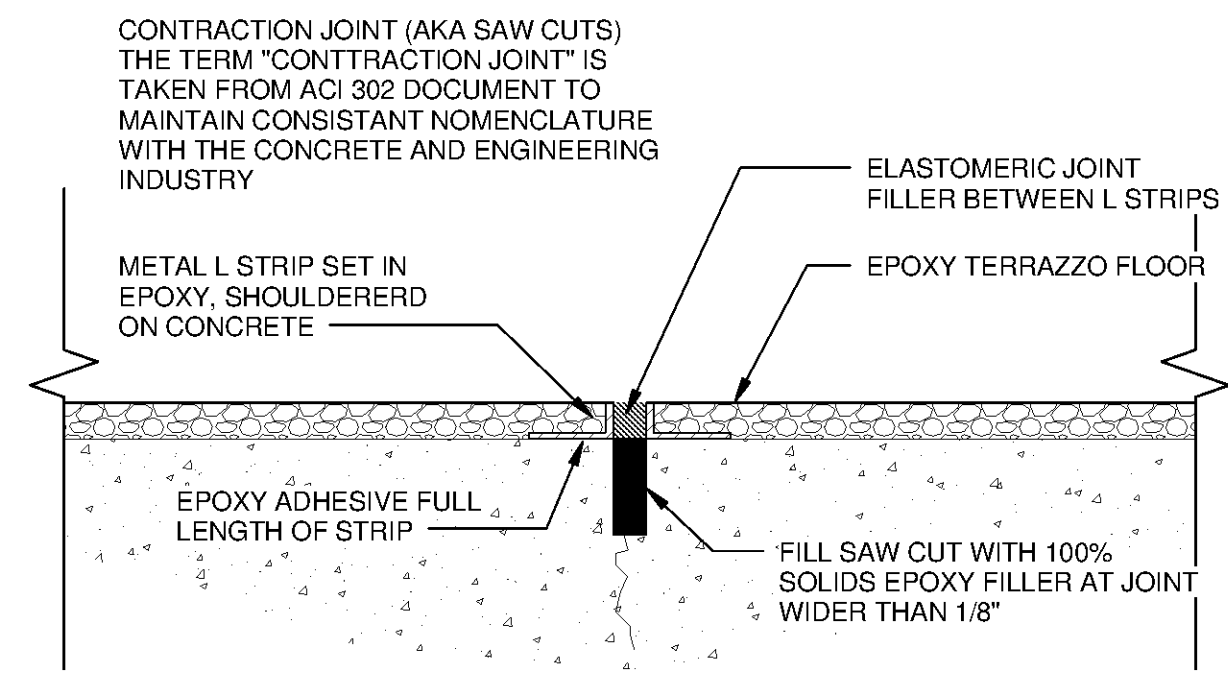


9 CORNER GUARDS
SCALE: 6" = 1'-0"

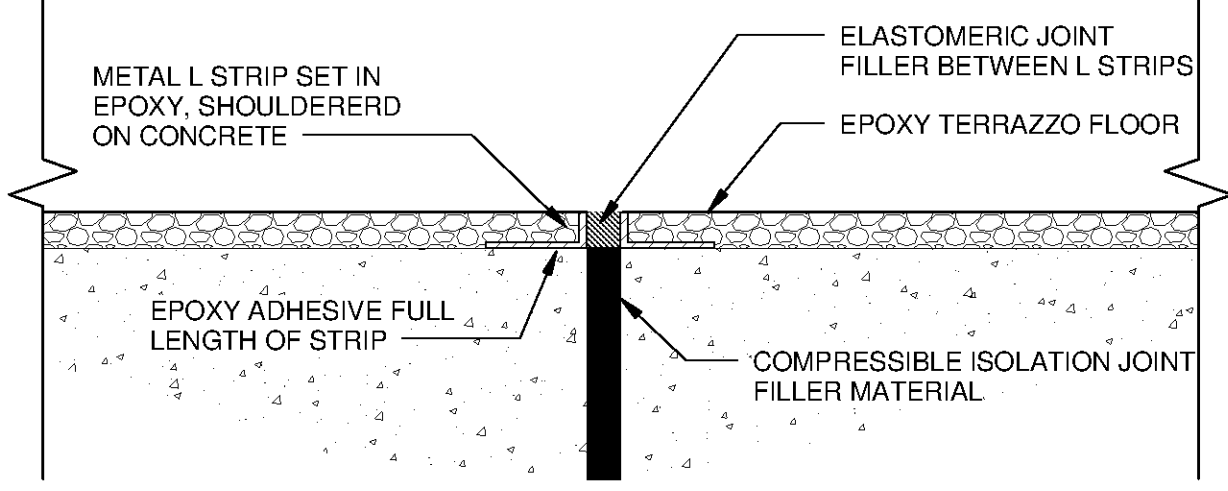


10 LAY-IN CEILING DETAIL
SCALE: 1 1/2" = 1'-0"

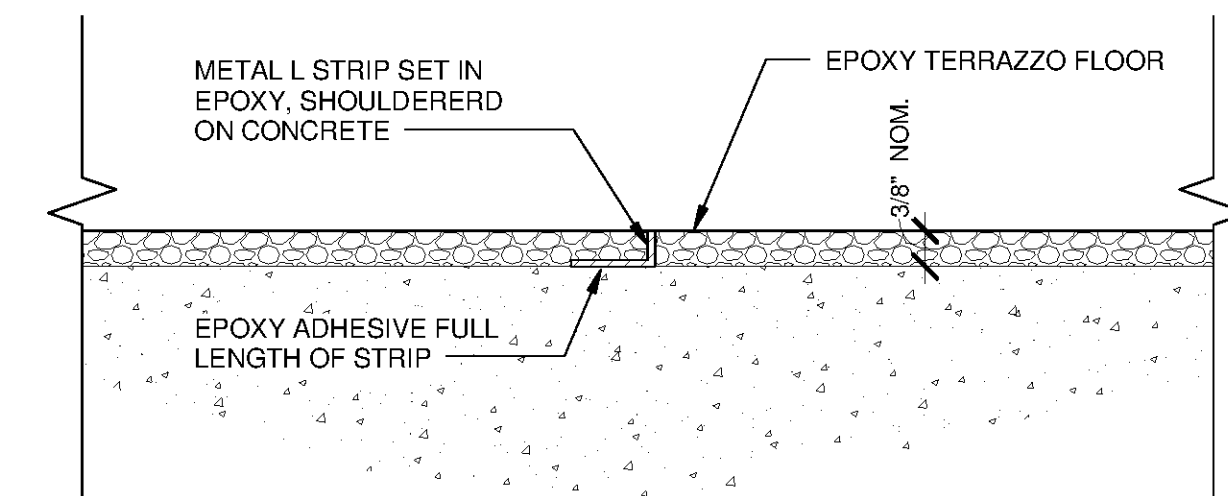
11 SILL DETAIL
SCALE: 3" = 1'-0"



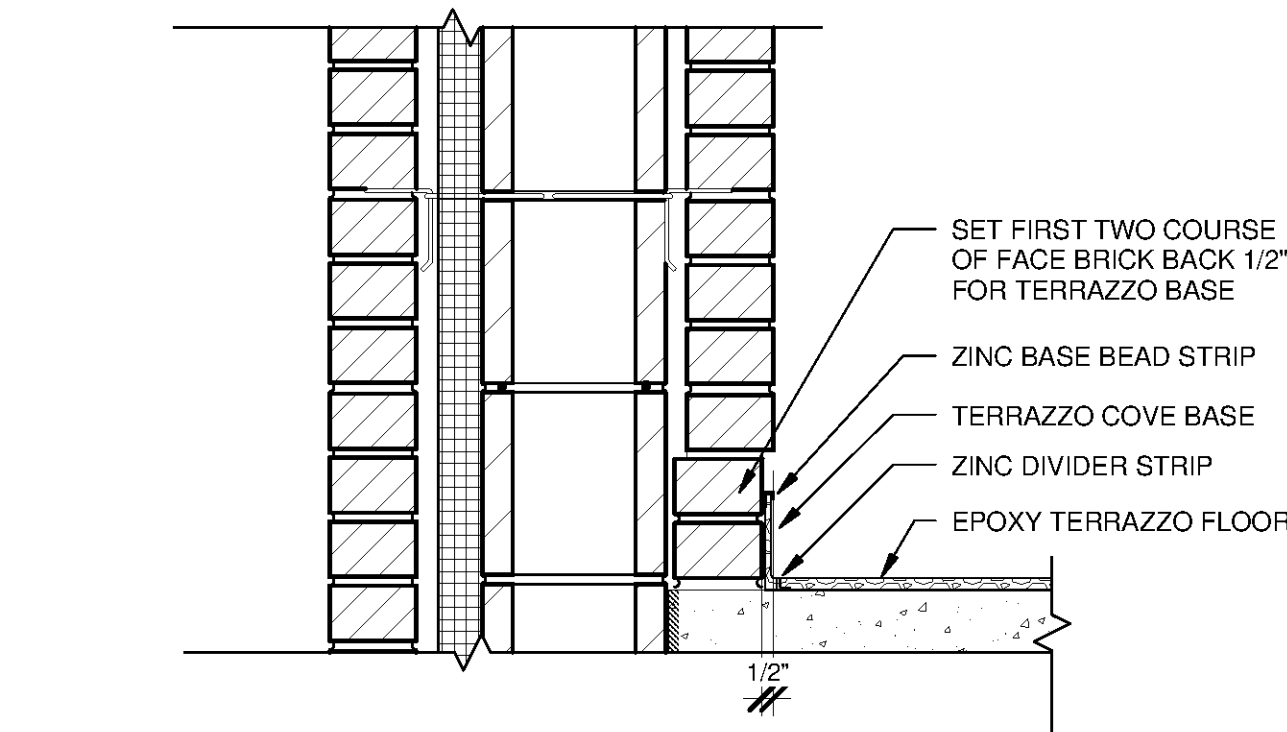
5 CONTRACTION JOINT DETAIL - TERRAZZO
SCALE: 6" = 1'-0"



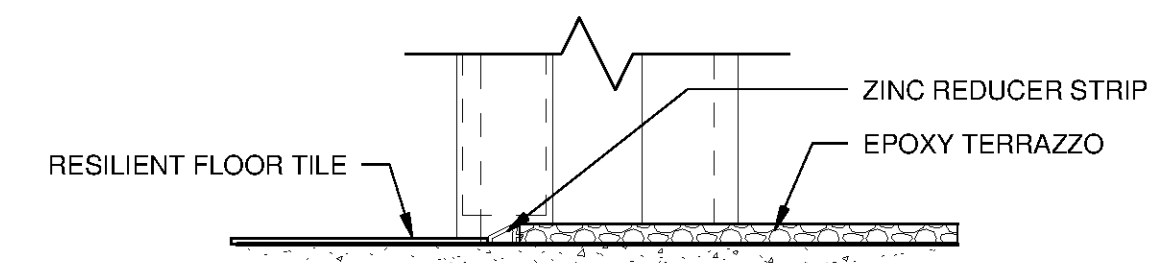
6 ISOLATION JOINT DETAIL - TERRAZZO
SCALE: 6" = 1'-0"



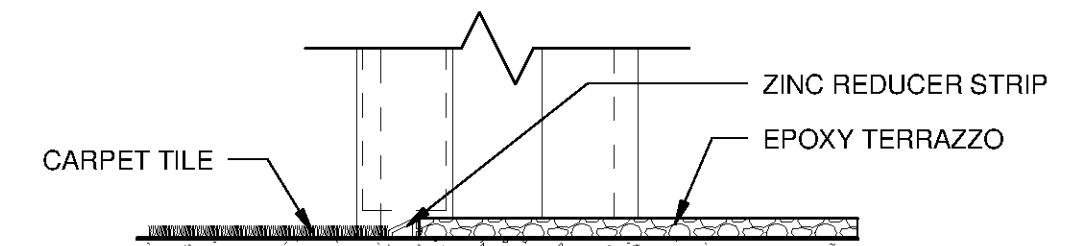
7 DIVIDER STRIP DETAIL - TERRAZZO
SCALE: 6" = 1'-0"



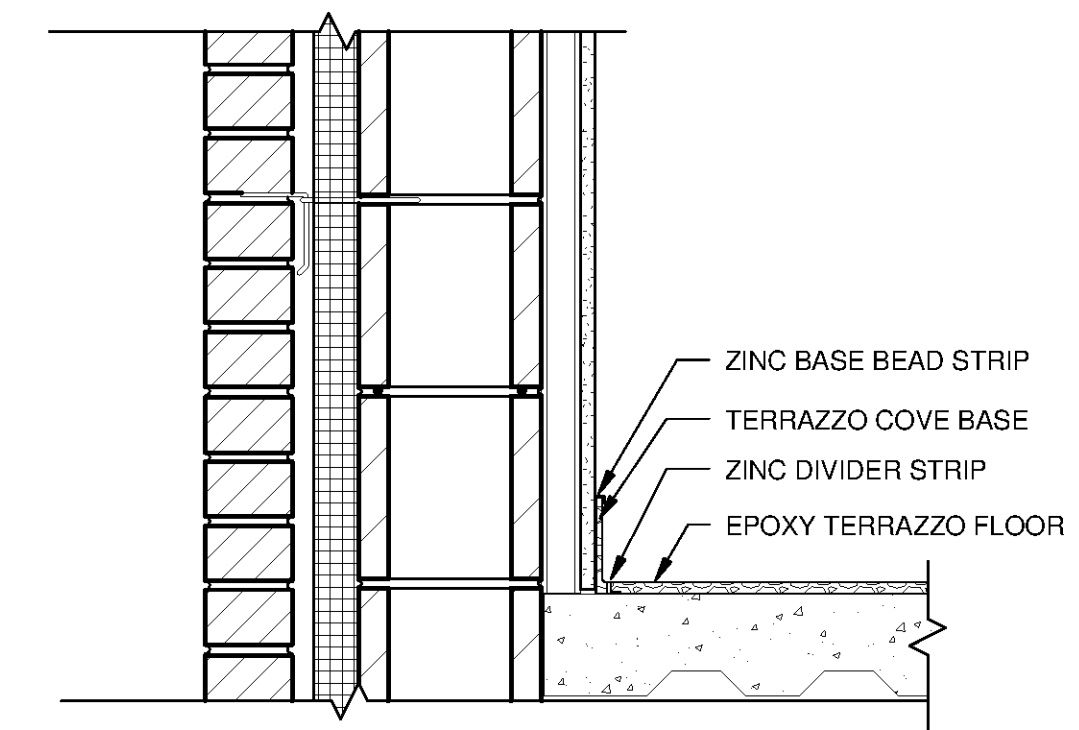
8 TERRAZZO WALL AT BRICK VENEER
SCALE: 1 1/2" = 1'-0"



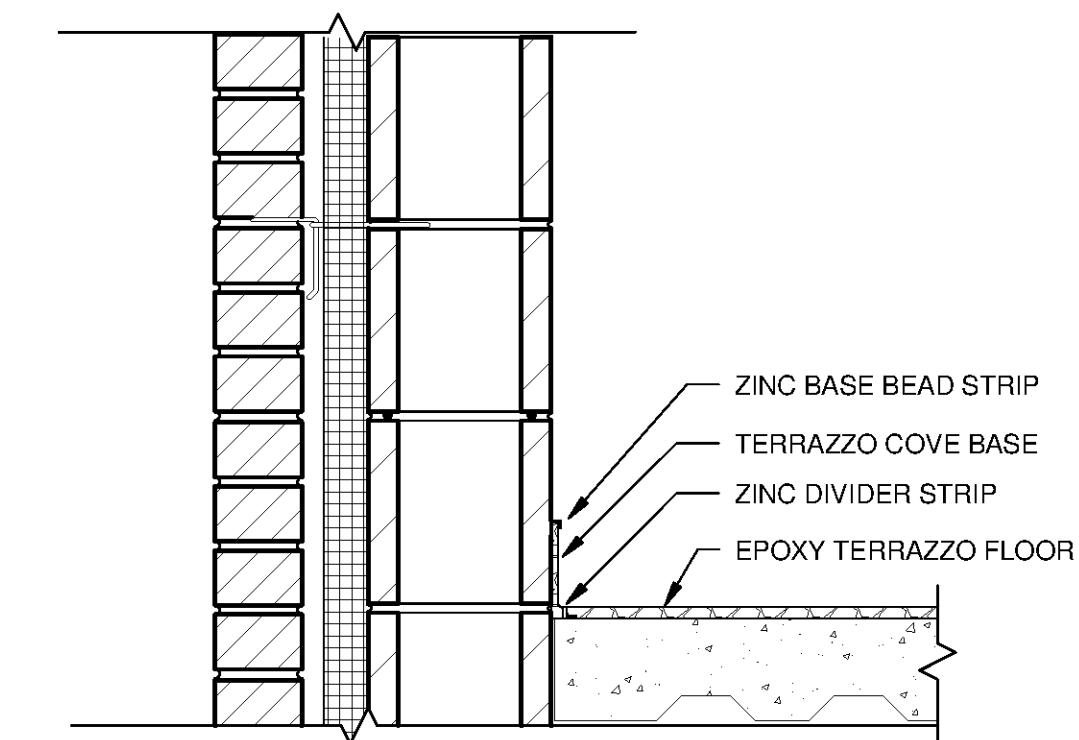
1 TRANSITION DETAIL - VCT/TERRAZZO
SCALE: 3" = 1'-0"



2 TRANSITION DETAIL - CARPET /TERRAZZO
SCALE: 3" = 1'-0"



3 TERRAZZO WALL AT GWB
SCALE: 1 1/2" = 1'-0"



4 TERRAZZO WALL AT CMU
SCALE: 1 1/2" = 1'-0"

MARK	DATE	DESCRIPTION	BY