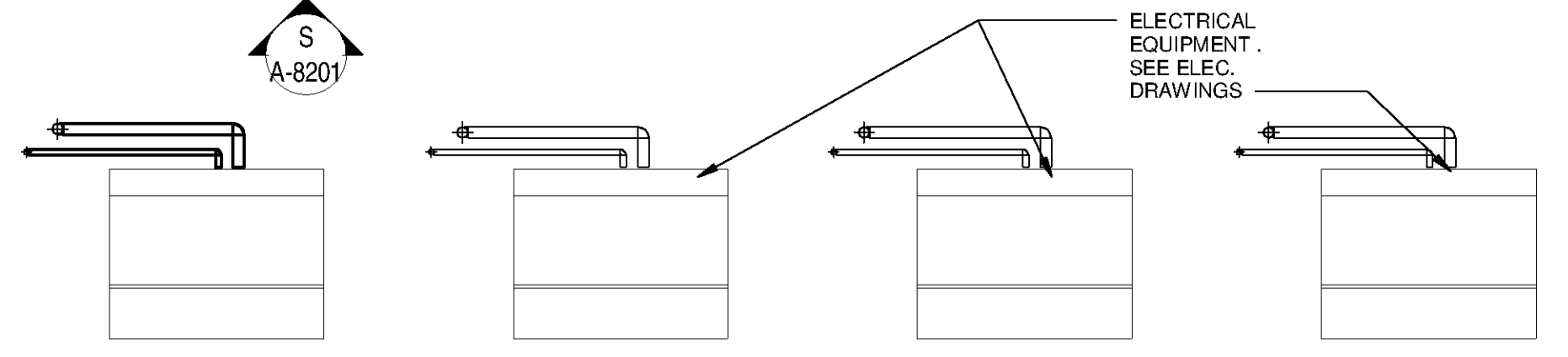


FLOOR PLAN

SCALE: 1/8" = 1'-0"

GENERAL NOTES - FLOOR PLANS	
1	REFER TO WALL TYPE DETAILS FOR WALL TYPES INDICATED SHEET A-9503
2	REFER TO ROOM SCHEDULE FOR FLOOR FINISH AND WALL FINISH ON SHEET A-8402.
3	REFER TO REFLECTED CEILING PLANS FOR CEILING TYPES AND CEILING HEIGHTS ON SHEET A-8108.
4	REFER TO FRAME TYPES FOR WINDOW & DOOR FRAME TYPES SHOWN. SEE SHEET A-8302
5	REFER TO MECHANICAL, ELECTRICAL, STRUCTURAL AND PROCESS EQUIPMENT FOR DETAILS. EQUIPMENT SHOWN FOR REFERENCE ONLY
6	TYPICAL FIRST FLOOR ELEVATION TO BE 0'-0" UNO DATUM ELEVATION COORDINATE WITH ACTUAL ELEVATIONS. REFER TO CIVIL DRAWINGS.
7	SEE SHEET A-9501, A-9502, A-9503, A-9504 & A-9505 FOR TYPICAL DETAILS
8	REFER TO CORRESPONDING DETAIL NUMBER ON SHEET A-9503 FOR WALL TYPES



BID SET

MARK	DATE	DESCRIPTION	BY

HUNTSVILLE UTILITIES
SOUTHEAST WATER TREATMENT PLANT
GENERATOR BUILDING FLOOR PLAN

Project No.: 200-11740-10003
Designed By: Q. BIA GI
Drawn By: Q. BIA GI
Checked By: D. GALANTE