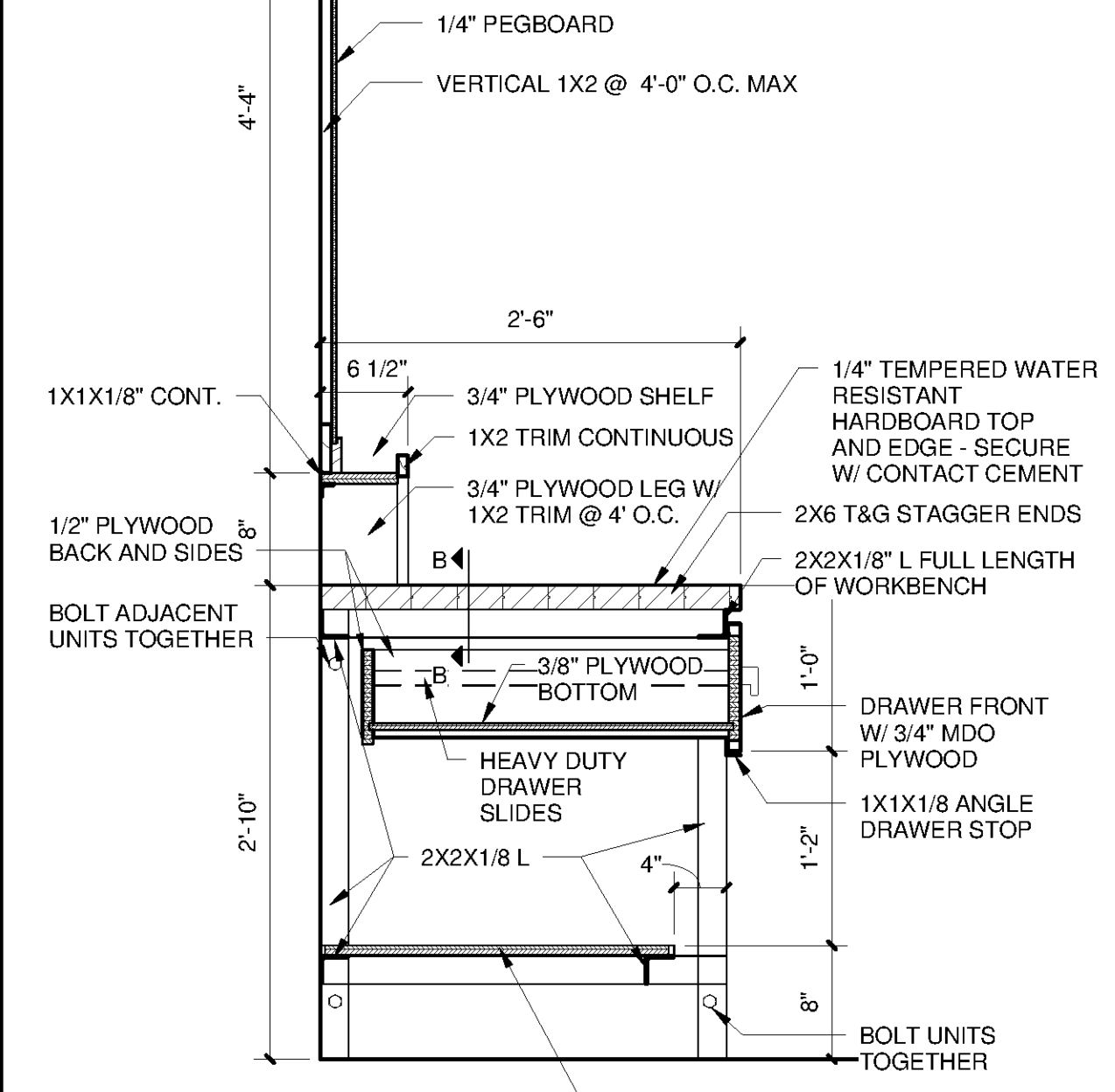
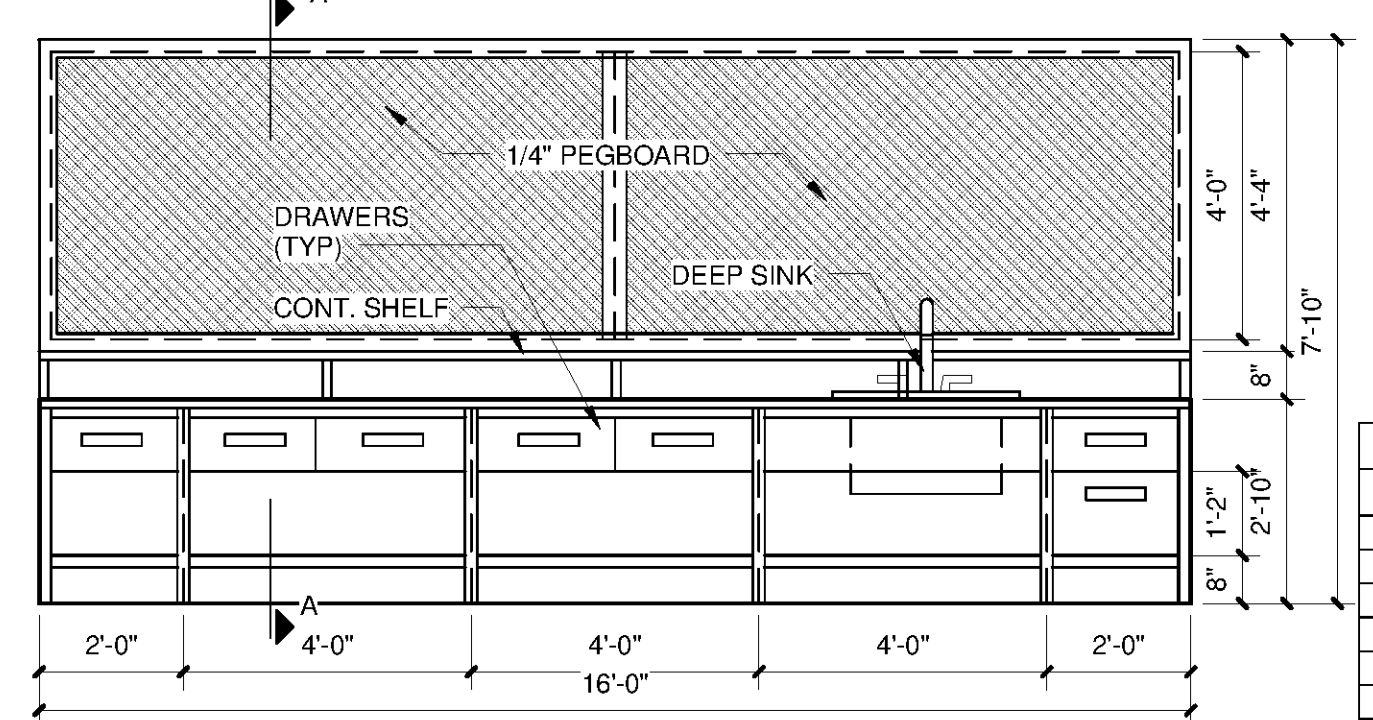
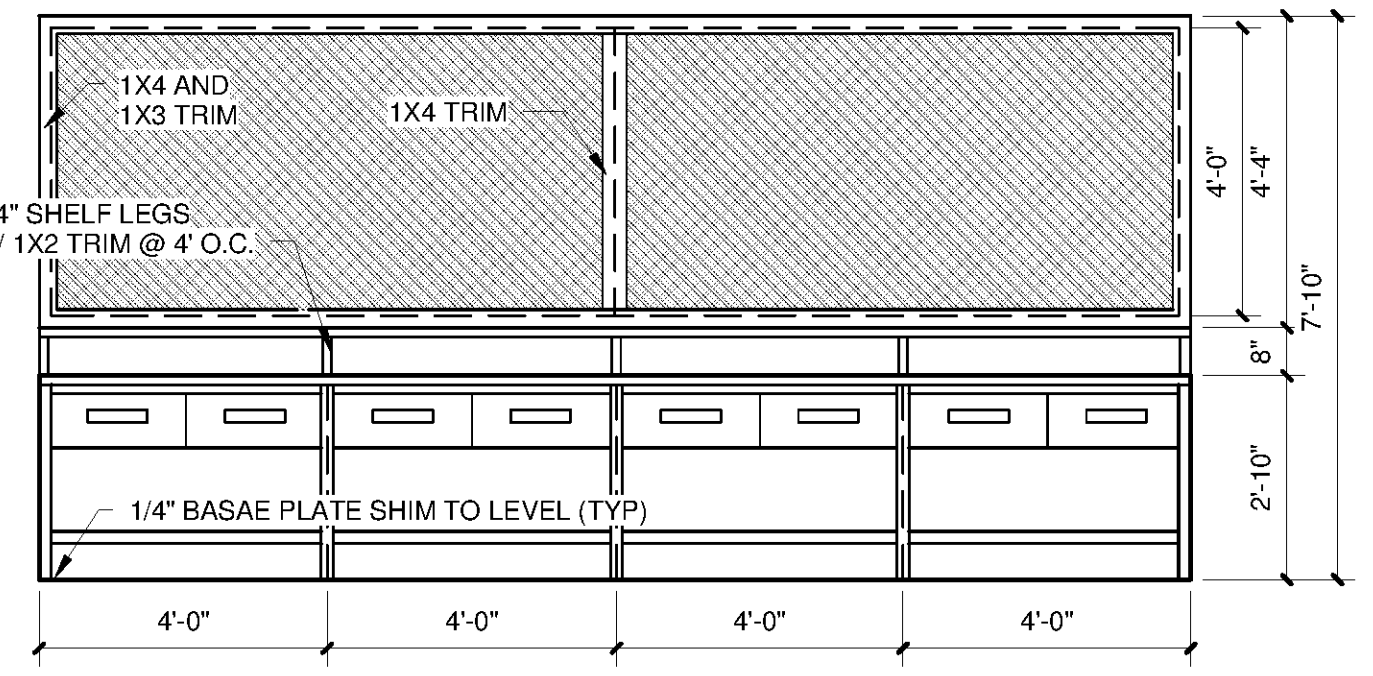


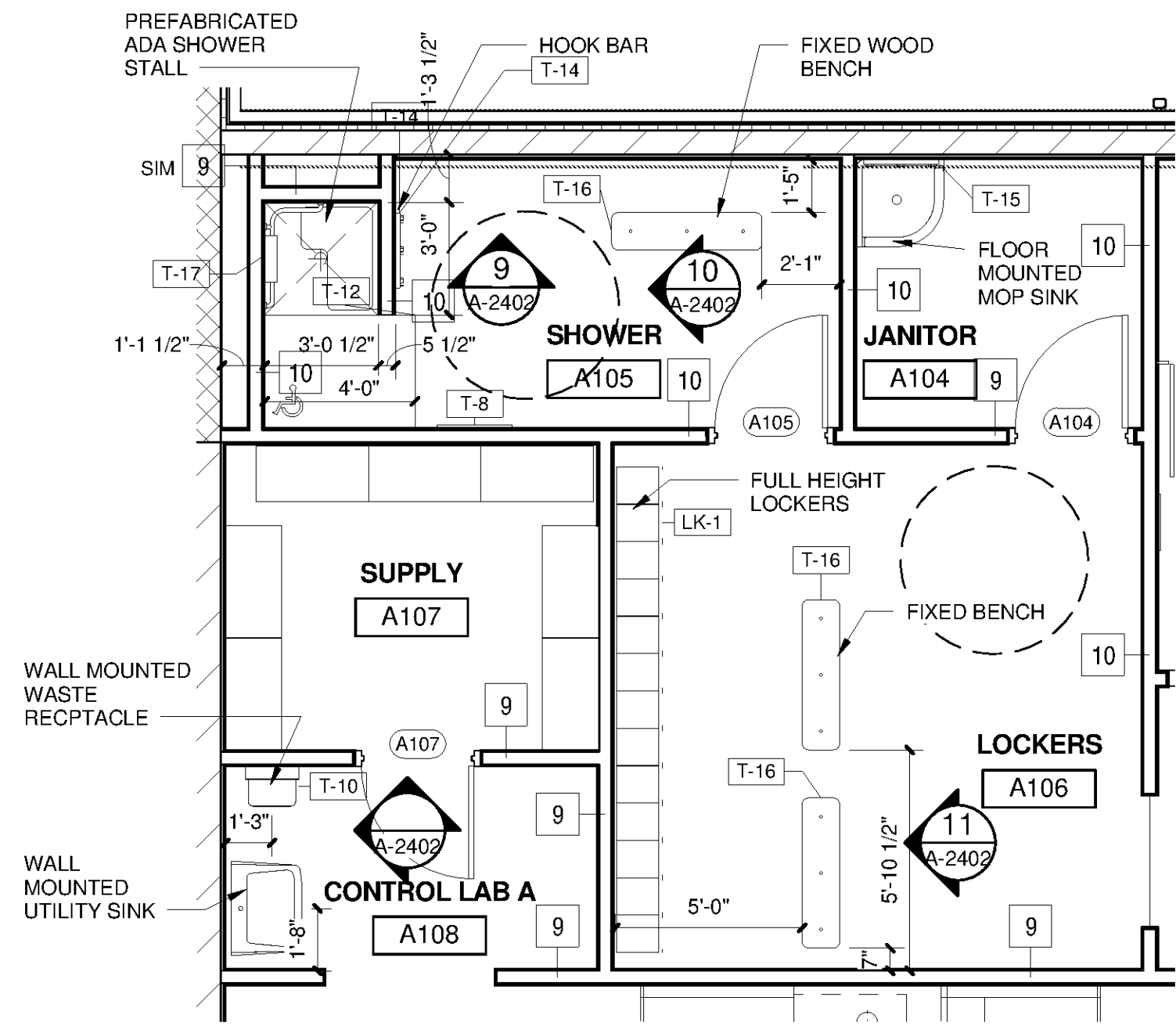
**SECTION B-B**  
SCALE: 3" = 1'-0"



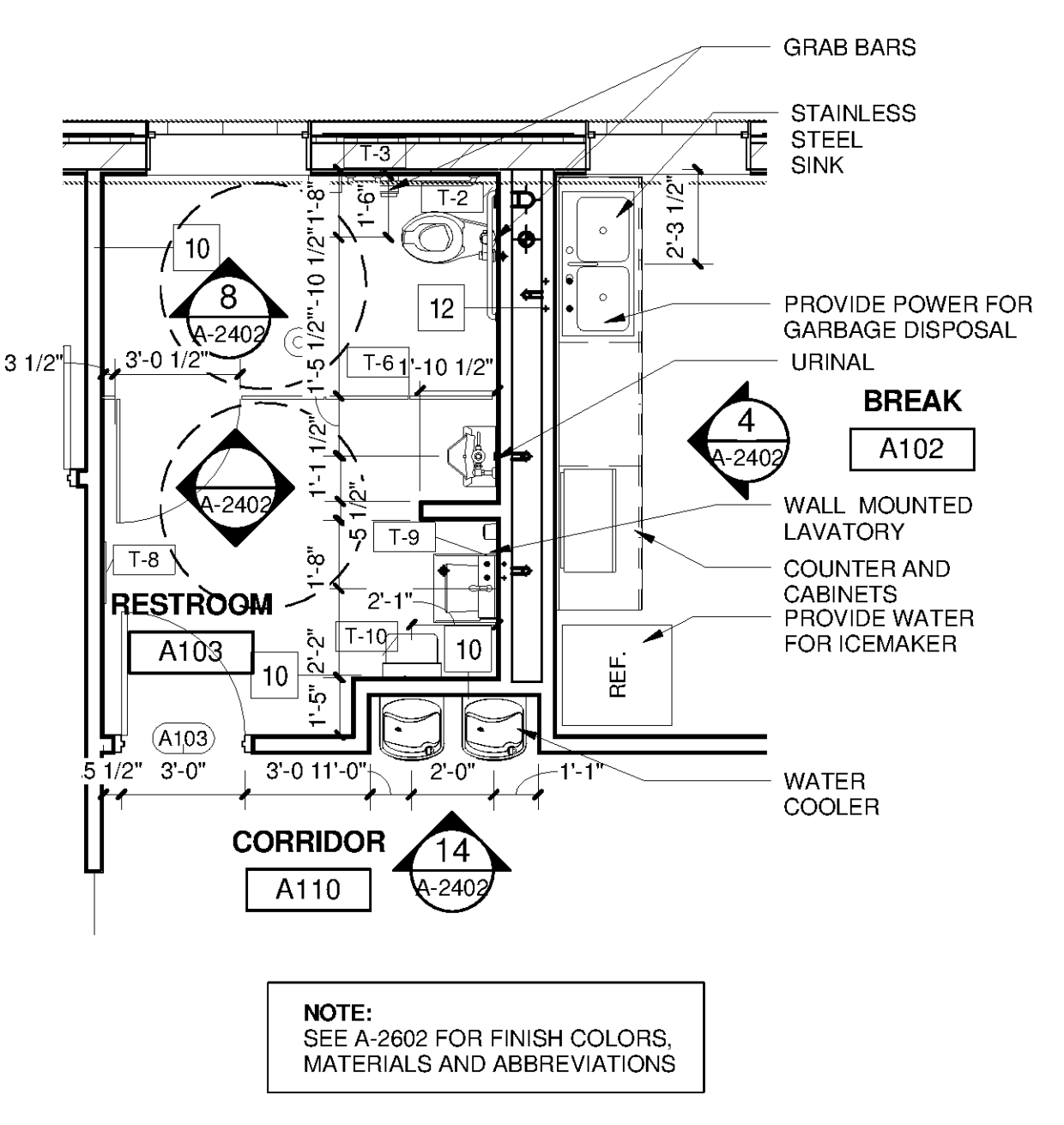
**16 WORKBENCH SECTION A-A**  
A-2102 SCALE: 1" = 1'-0"



**15 WORKBENCH**  
A-2102 SCALE: 3/8" = 1'-0"

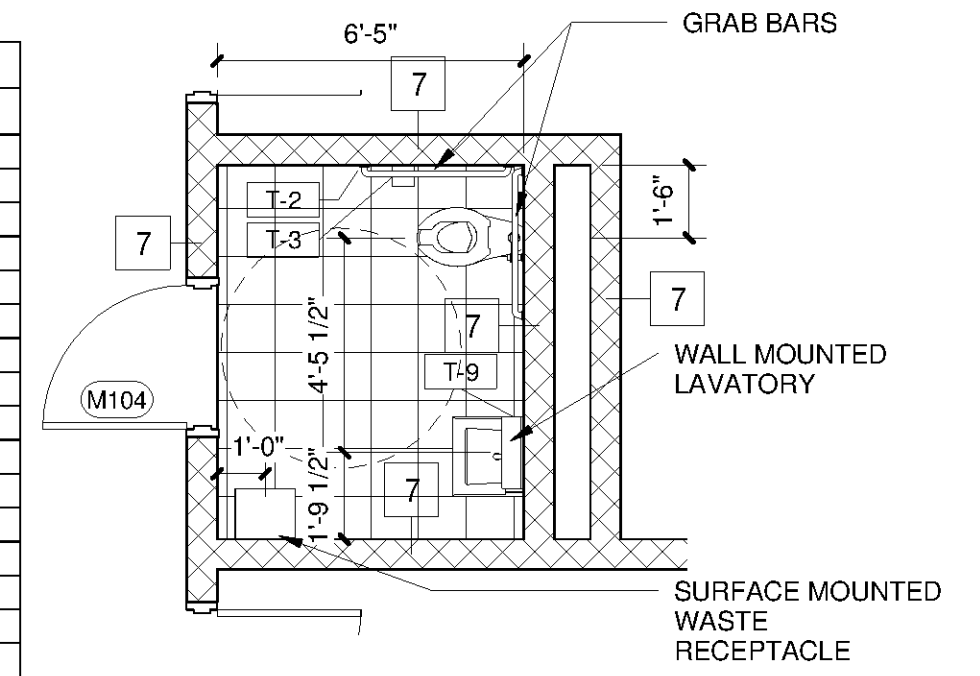


**2 SHOWER A105/JANITOR A104**  
A-2103 SCALE: 1/4" = 1'-0"

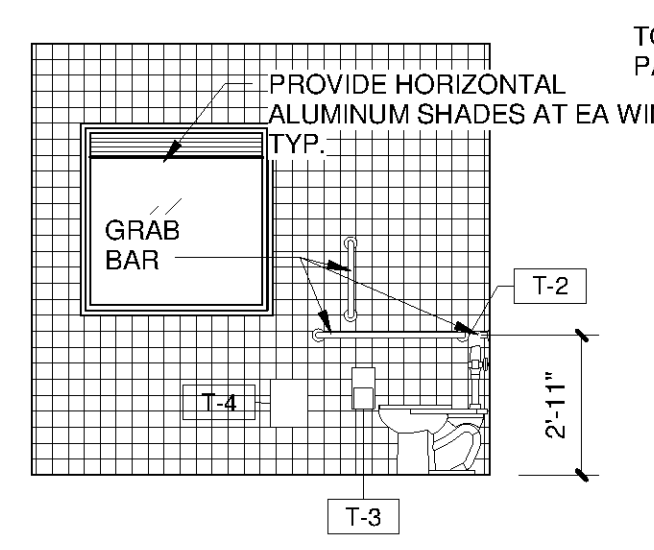


**1 RESTROOM A103/BREAK A102**  
A-2103 SCALE: 1/4" = 1'-0"

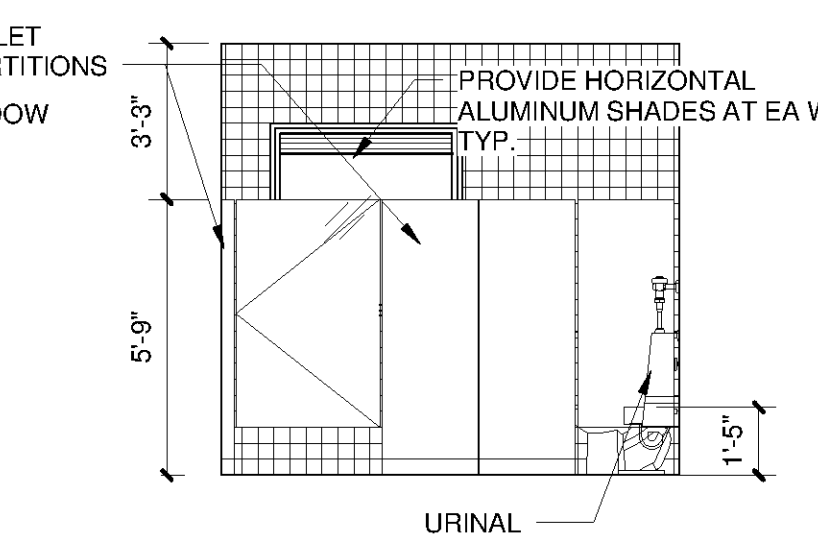
GENERAL NOTES - TOILET AND SHOWER ROOM ACCESSORIES			
NUMBER	DESCRIPTION	MANUFACTURER	NOTES
T-1	B-301 SURFACE MOUNTED TOILET SEAT COVER DISPENSER	BOBRICK	
T-2	B-6806X 18", B6806 X 36", B6806 X 42" GRAB BARS	BOBRICK	
T-3	B-2888 TOILET TISSUE DISPENSER	BOBRICK	
T-4	B-270 SANITARY NAPKIN DISPOSAL	BOBRICK	
T-5	B-72860 ROLL PAPER TOWEL DISPENSER	BOBRICK	
T-6	SERIES 400 SOLID PHENOLIC PARTITION	BRADLEY	
T-7	818615 SOAP DISPENSER	BOBRICK	
T-8	B-165 24X60 MIRROR	BOBRICK	
T-9	B-165-1830 TEMP. GLASS MIRROR	BOBRICK	
T-10	B-275 SURFACE MOUNTED STAINLESS STEEL TRASH RECEPTACLE	BOBRICK	
T-11	B-6047 X 36 SHOWER ROD WITH 204-1 HOOKS AND 204-3 CURTAIN	BOBRICK	IN SHOWER
T-12	B-5181 FOLDING SHOWER SEAT	BOBRICK	IN SHOWER
T-13	B-4390 HEAVY DUTY RECESSED SOAP DISH	BOBRICK	IN SHOWER
T-14	B-232 X 24 HOOK STRIP	BOBRICK	IN SHOWER
T-15	B-224 X 36 SHELF WITH MOP, BROOM HOLDER AND RAG HOOK	BOBRICK	JANITORS CLOSET
T-16	LENOXPEDESTAL BENCH 18" X 36" LONG	BRADLEY	2 IN LOCKER ROOM, 1 IN SHOWER ROOM
T-17	B-6861 TWO WALL SHOWER GRAB BAR AND B6806 X 18" VERTICAL GRAB BAR	BOBRICK	IN SHOWER



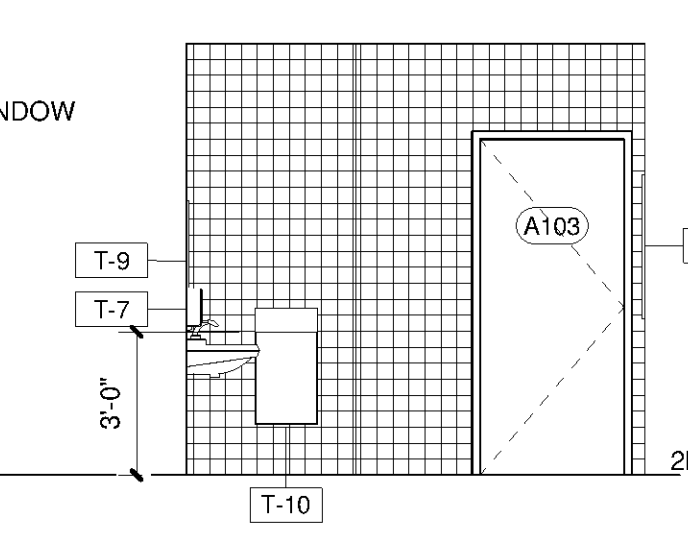
**3 RESTROOM M104**  
A-2102 SCALE: 1/4" = 1'-0"



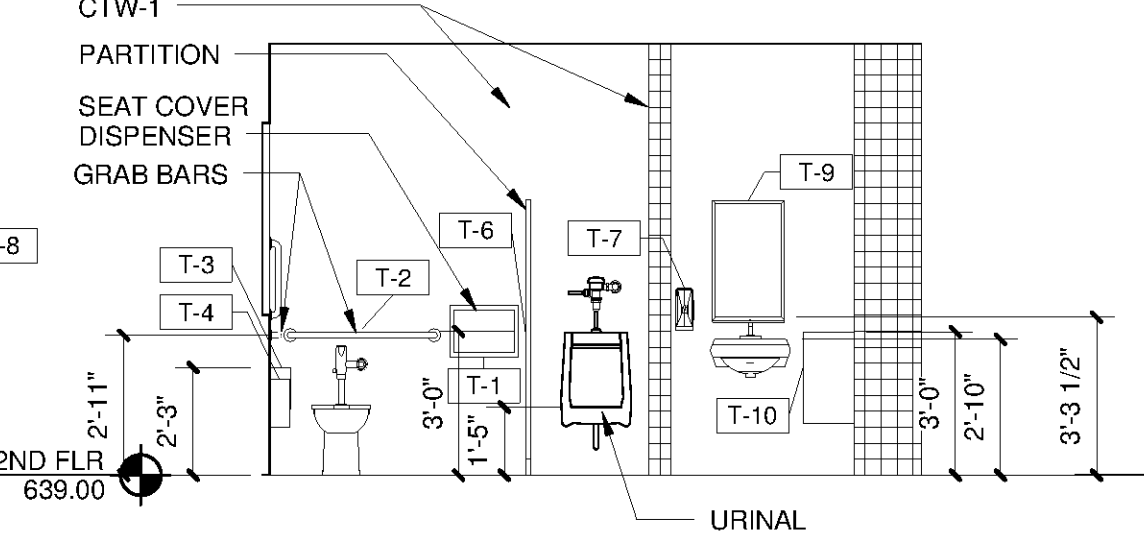
**8 RR A103 NORTH ELEV. B**  
A-2402 SCALE: 1/4" = 1'-0"



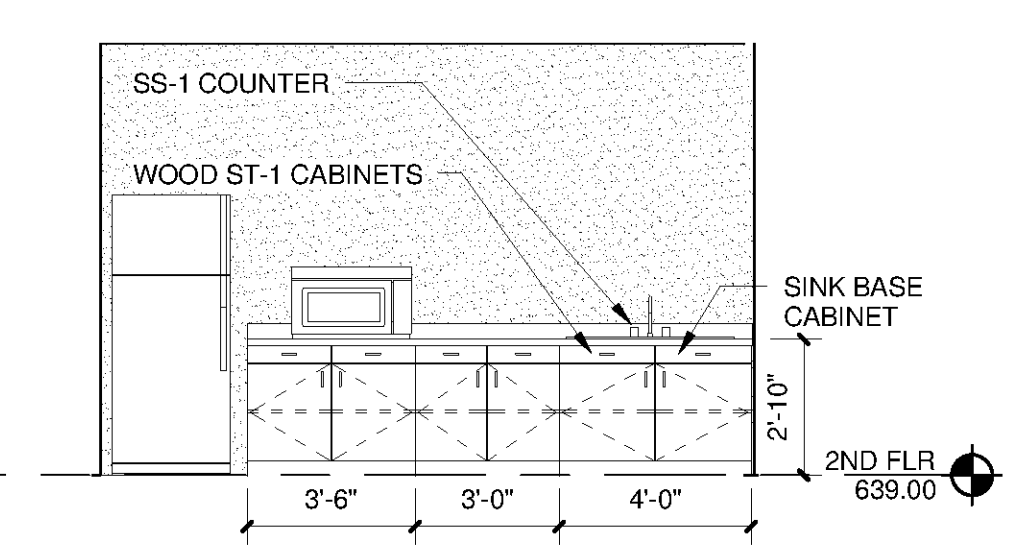
**7 RR A103 NORTH ELEV. A**  
A-2402 SCALE: 1/4" = 1'-0"



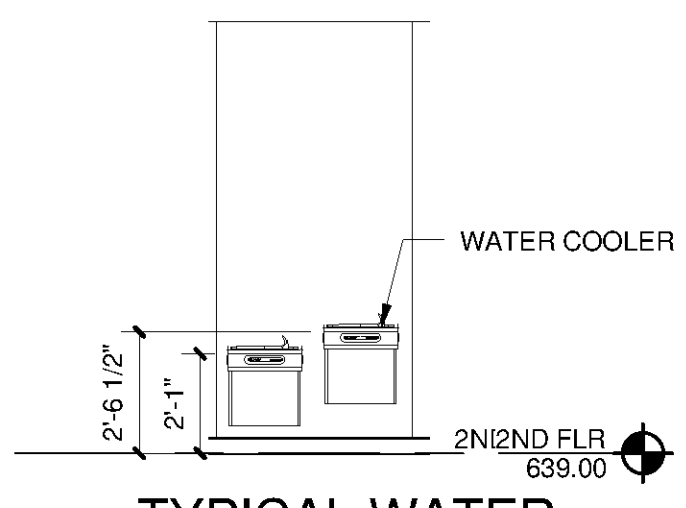
**6 RR A103 SOUTH ELEV.**  
A-2402 SCALE: 1/4" = 1'-0"



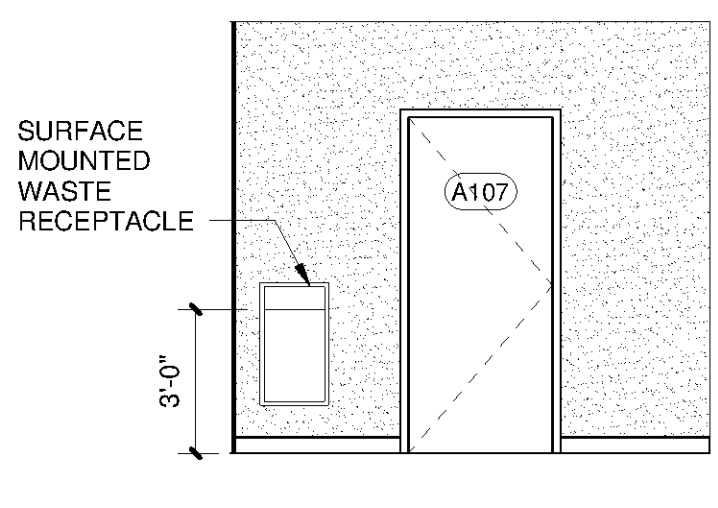
**5 RR A103 EAST ELEV.**  
A-2402 SCALE: 1/4" = 1'-0"



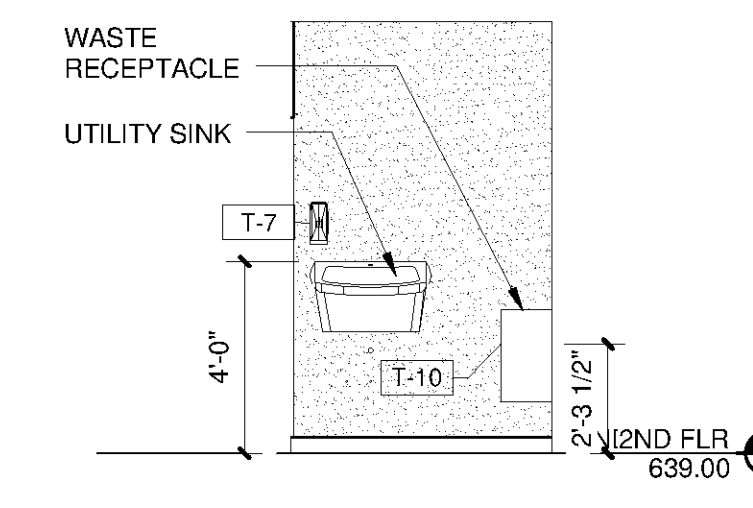
**4 BREAKROOM ELEV.**  
A-2402 SCALE: 1/4" = 1'-0"



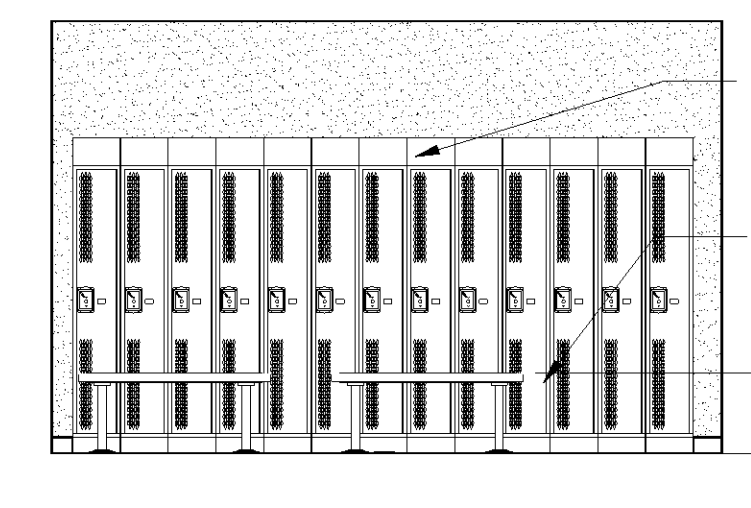
**14 TYPICAL WATER COOLER ELEV.**  
A-2402 SCALE: 1/4" = 1'-0"



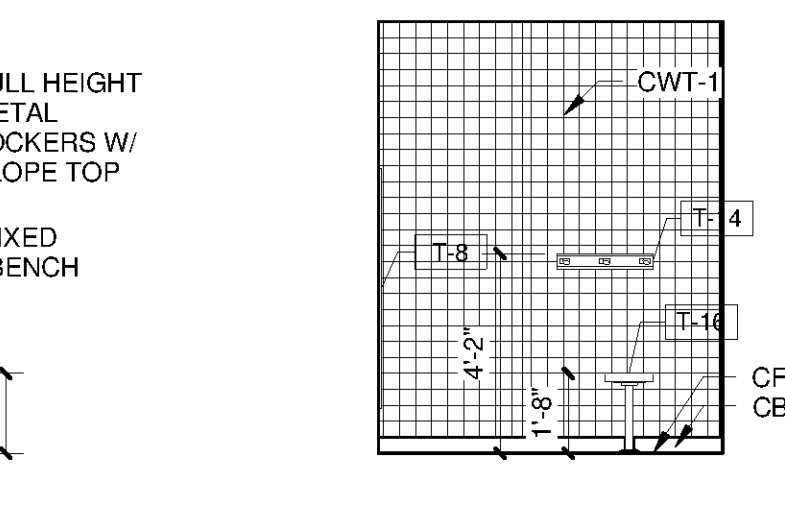
**13 A108 NORTH ELEV.**  
A-2402 SCALE: 1/4" = 1'-0"



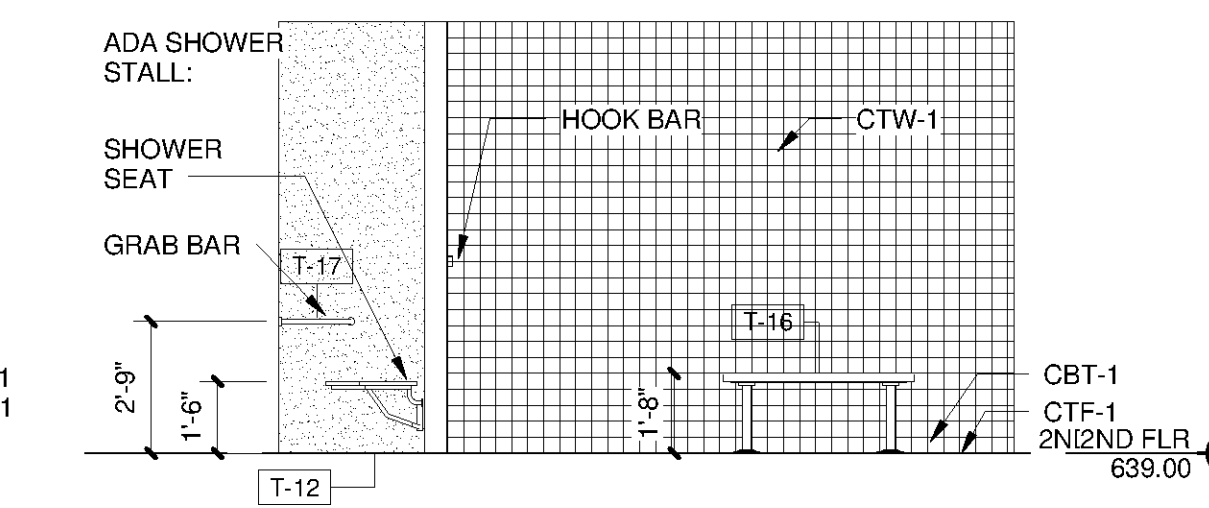
**12 A108 WEST ELEV.**  
A-2402 SCALE: 1/4" = 1'-0"



**11 A106 WEST ELEV.**  
A-2103 SCALE: 1/4" = 1'-0"



**10 A105 WEST ELEV.**  
A-2402 SCALE: 1/4" = 1'-0"



**9 A105 NORTH ELEV.**  
A-2402 SCALE: 1/4" = 1'-0"

**TETRA TECH**  
www.tetra-tech.com  
101 QUALITY CIRCLE, SUITE 140  
HUNTSVILLE, ALABAMA 38806  
PHONE: (256) 424-4077 FAX: (256) 424-4087

**BID SET**  
STATE OF ALABAMA  
J. QUINCY BRADLEY  
ARCHITECT  
6512  
10/21/14

MARK	DATE	DESCRIPTION	BY

HUNTSVILLE UTILITIES  
SOUTHEAST WATER TREATMENT PLANT  
**ENLARGED VIEWS**

Project No.: 200-11740-10003  
Designed By: Q.BIAGI  
Drawn By: S.SWEARER  
Checked By: D.GALANTE

**A-2402**