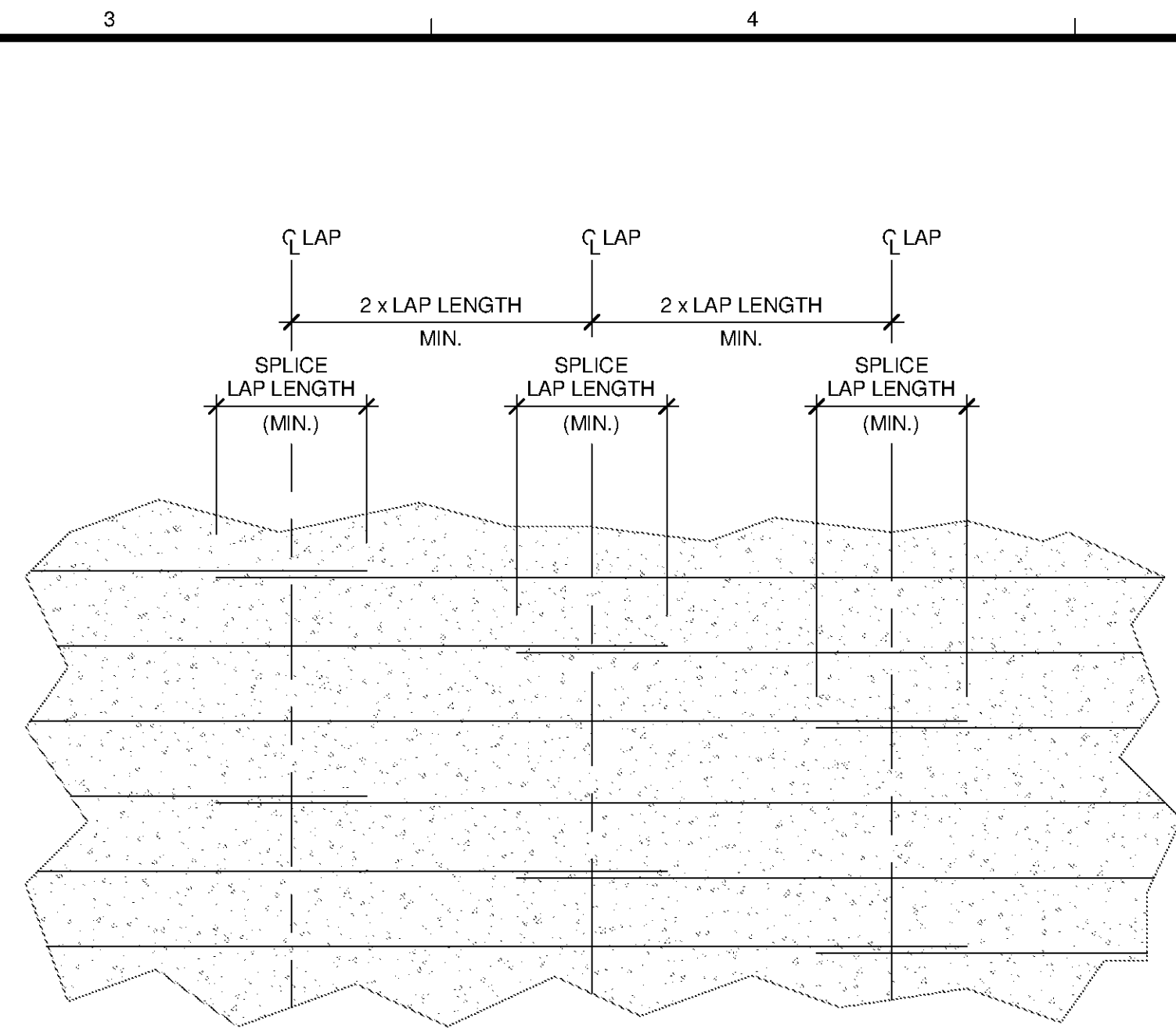
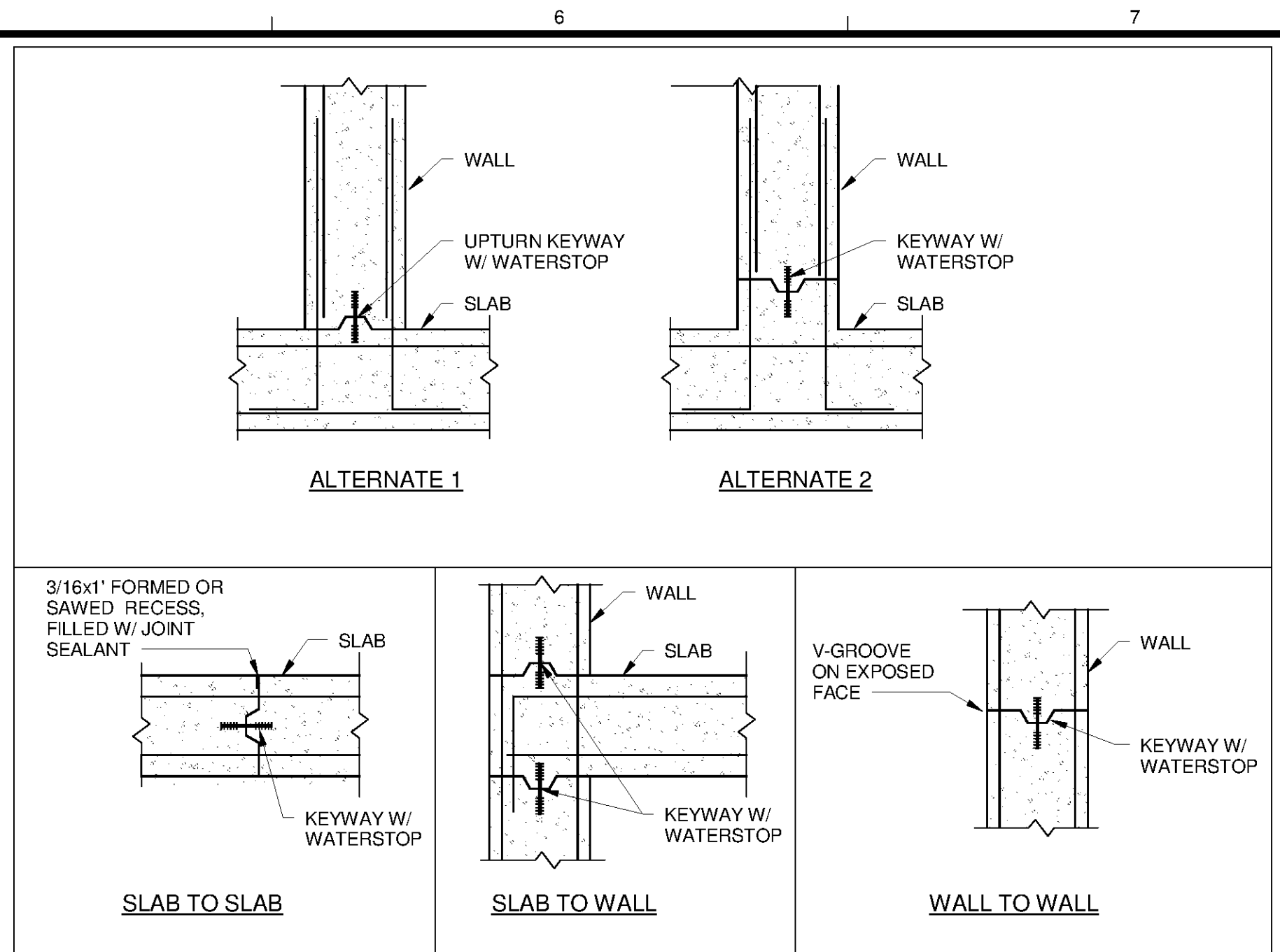


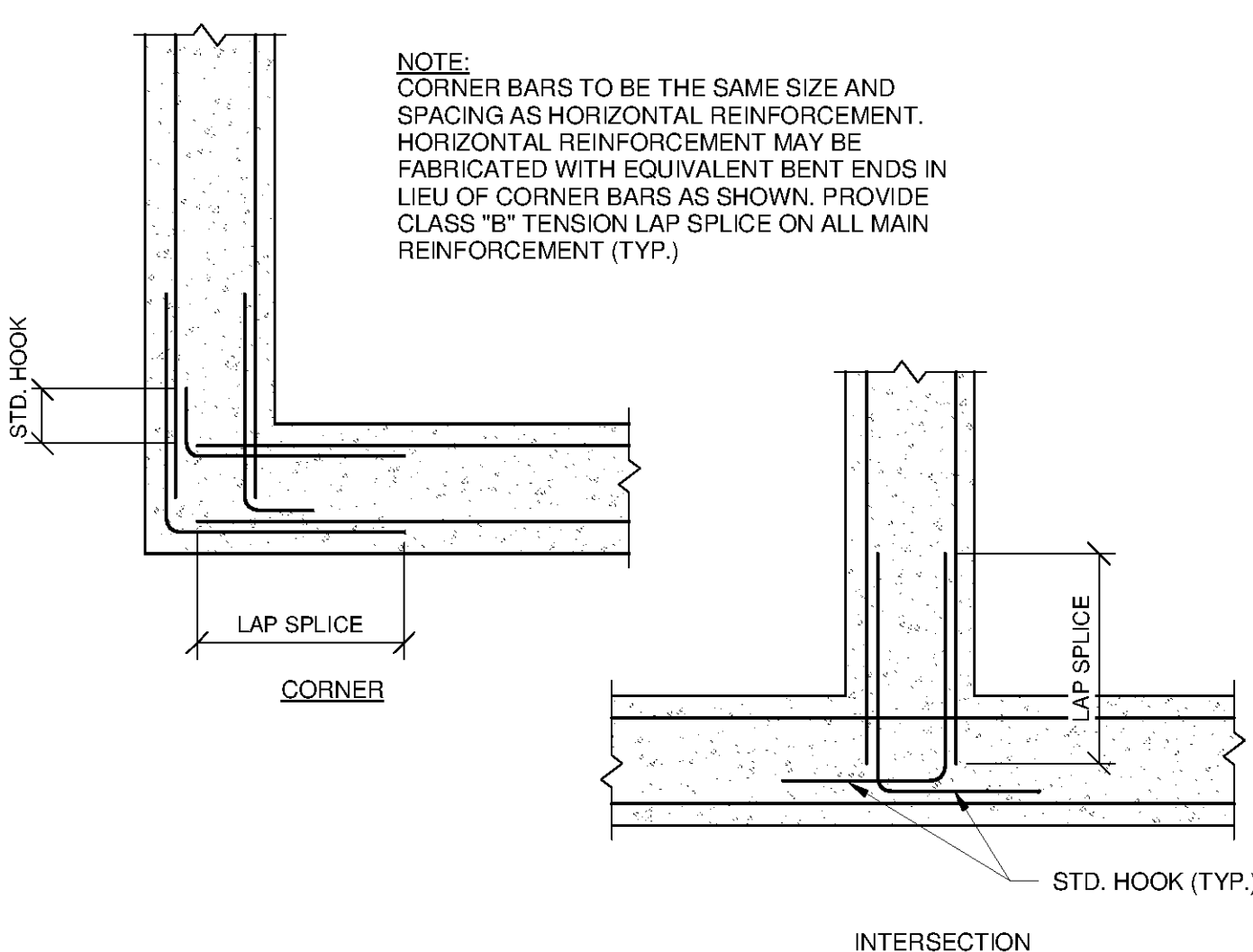
**1 STANDARD CONSTRUCTION JOINT KEYWAY DETAIL**  
SCALE: 1" = 1'-0"



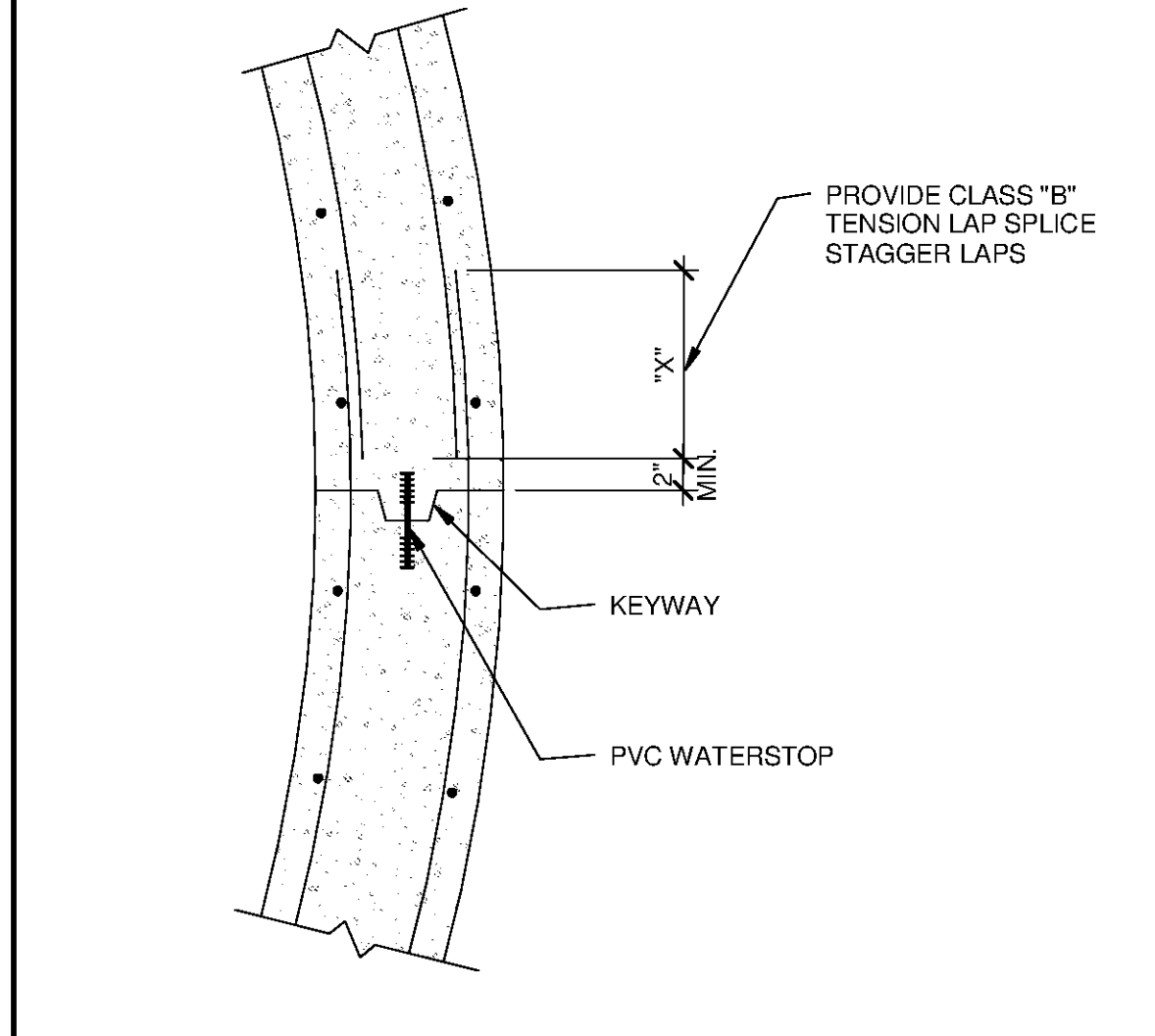
**2 REBAR LAP IN CIRCULAR WALL**  
SCALE: 1/2" = 1'-0"



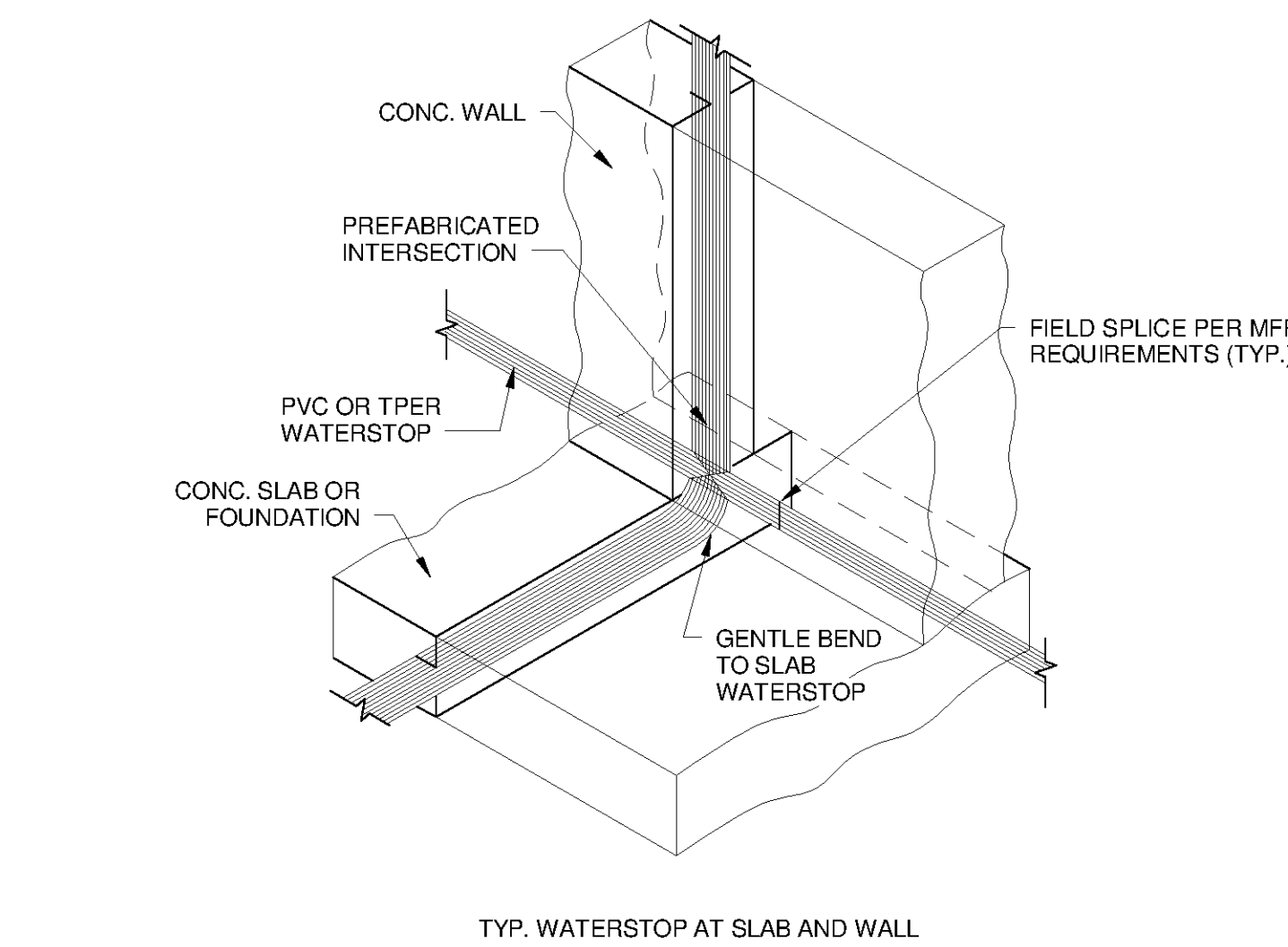
**3 WATERTIGHT CONSTRUCTION JOINTS DETAIL**  
SCALE: 3/4" = 1'-0"



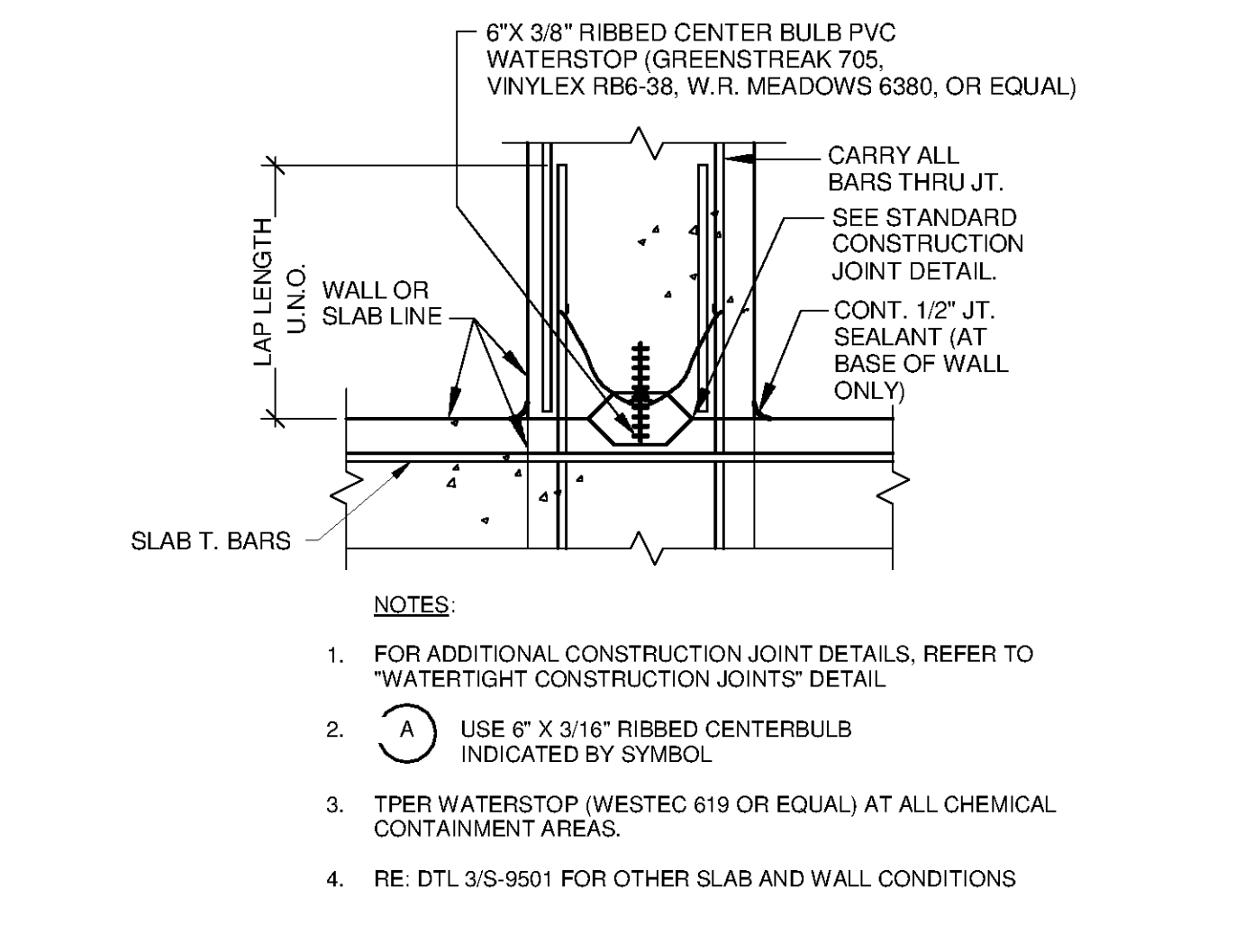
**4 WALL CORNERS @ TANKS**  
SCALE: 3/4" = 1'-0"



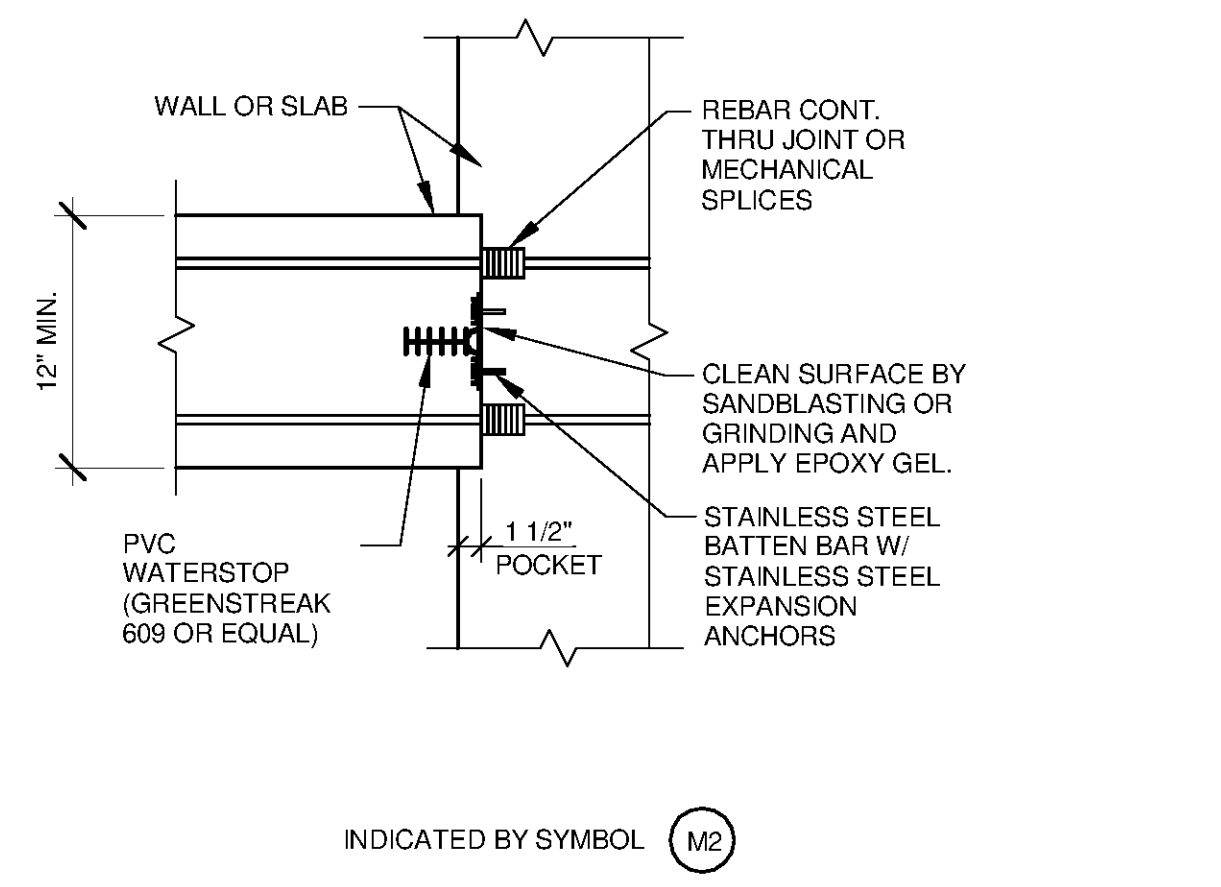
**5 CURVED WALL CONSTRUCTION JOINT**  
SCALE: 1" = 1'-0"



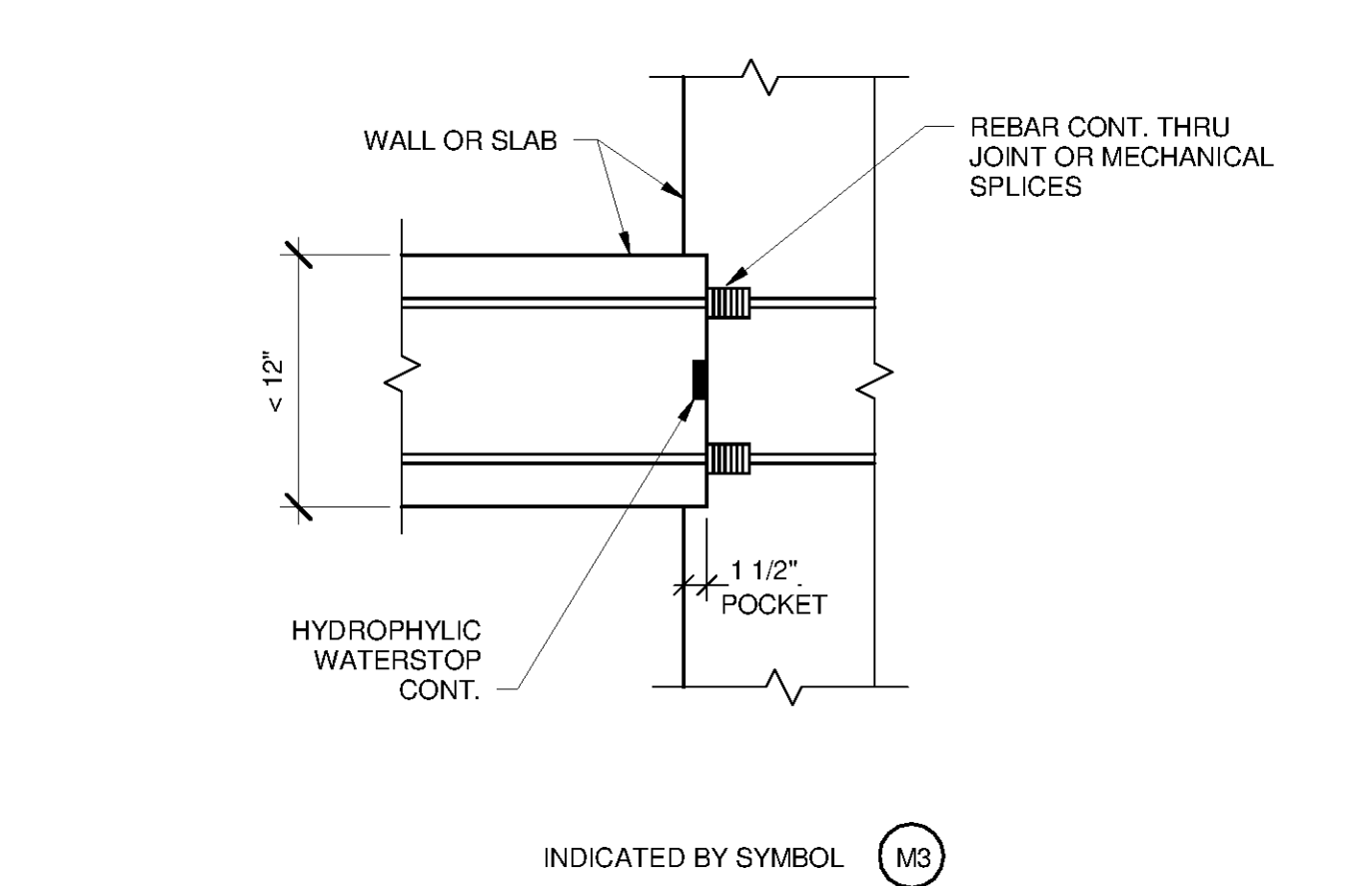
**6 WATERSTOP AT SLAB & WALL**  
SCALE: 3/4" = 1'-0"



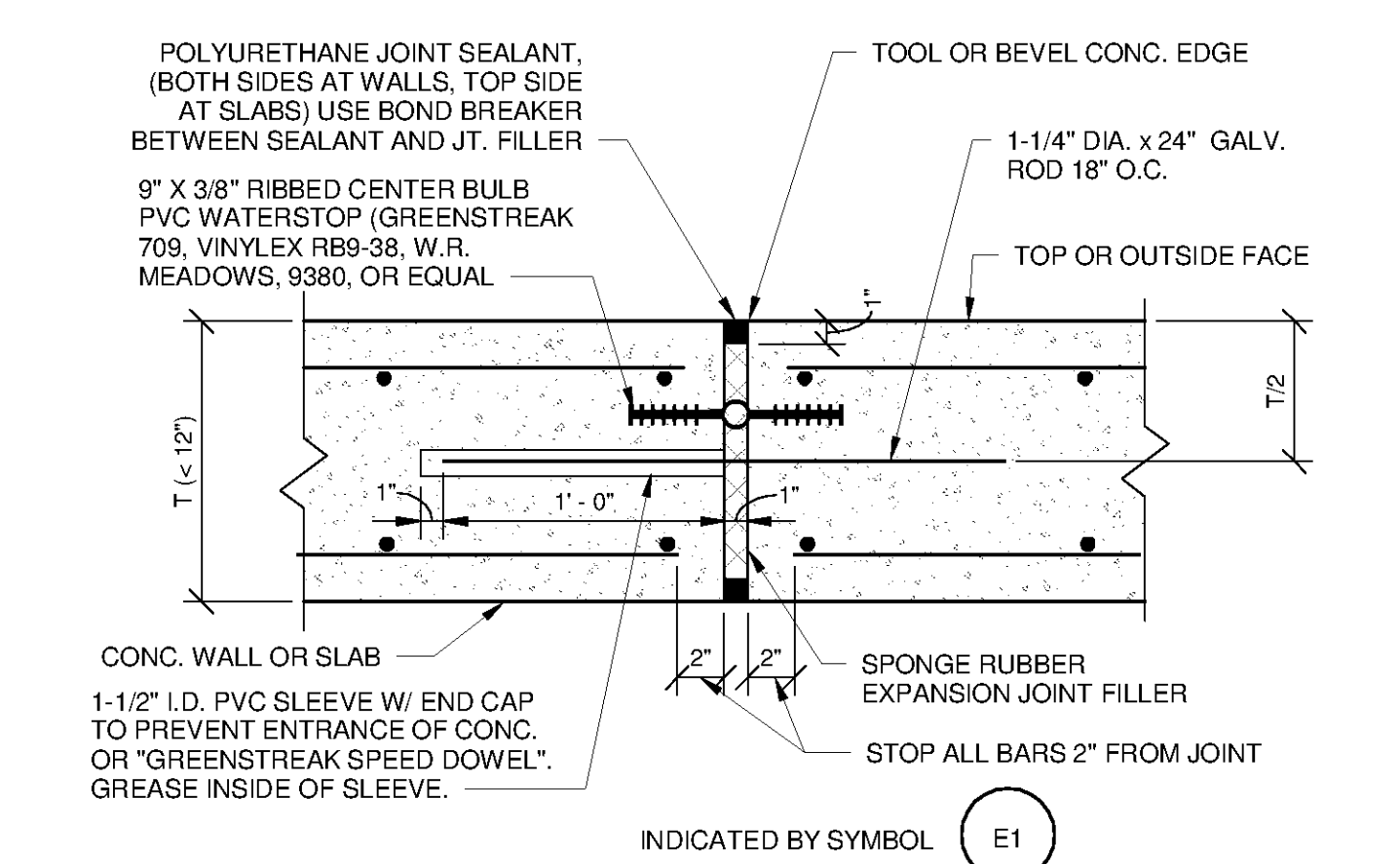
**7 TYPE "A" WATERTIGHT CONSTRUCTION JOINT**  
SCALE: 1" = 1'-0"



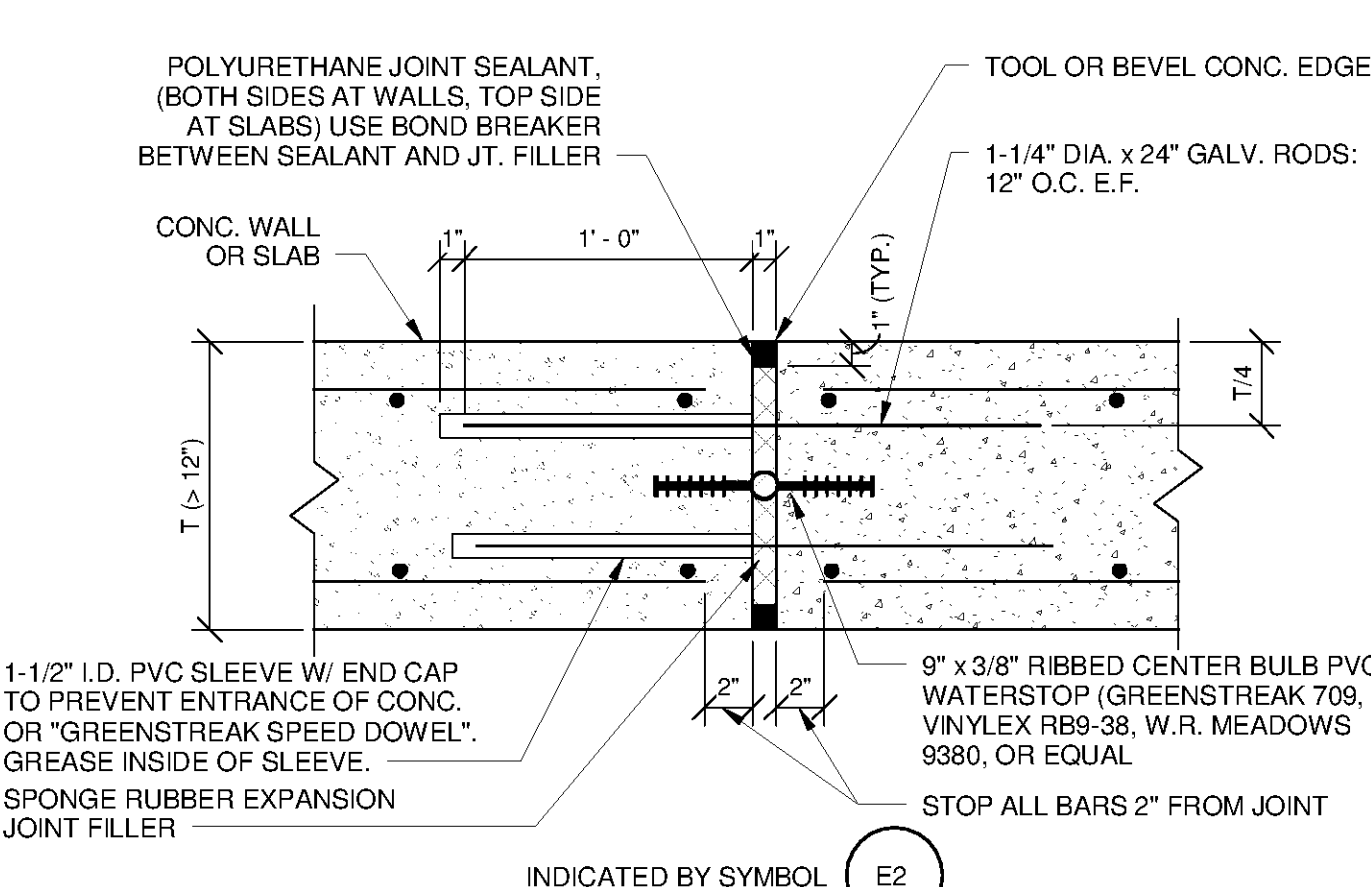
**8 TYPE "M2" WATERTIGHT JOINT**  
SCALE: 1" = 1'-0"



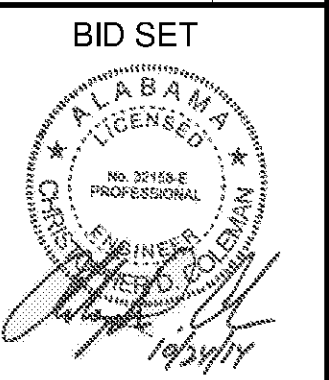
**9 TYPE "M3" WATERTIGHT JOINT**  
SCALE: 1" = 1'-0"



**10 TYPE "E1" WATERTIGHT EXPANSION JOINT**  
SCALE: 1 1/2" = 1'-0"



**11 TYPE "E2" WATERTIGHT EXPANSION JOINT**  
SCALE: 1 1/2" = 1'-0"



MARK	DATE	DESCRIPTION	BY

HUNTSVILLE UTILITIES  
SOUTHEAST WATER TREATMENT PLANT  
STANDARD STRUCTURAL  
DETAILS - CONCRETE

Project No.: 200-11740-10003  
Designed By: JLB  
Drawn By: BRF  
Checked By: CDC

**S-9501**

C:\Users\brent.fox\Documents\WTFP-11740-S-STDDTL\_brent.fox.rvt 10/1/2014 3:36:47 PM