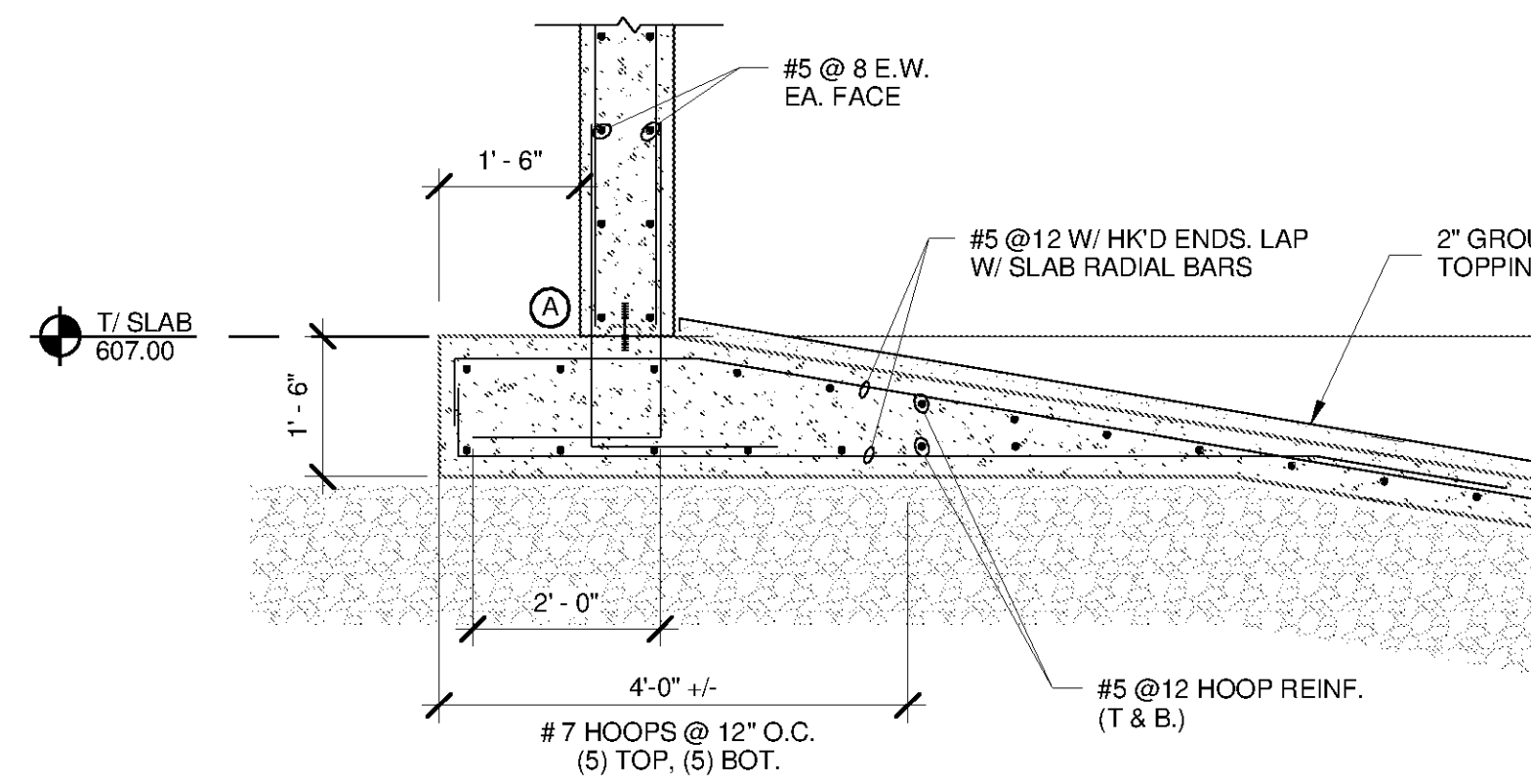
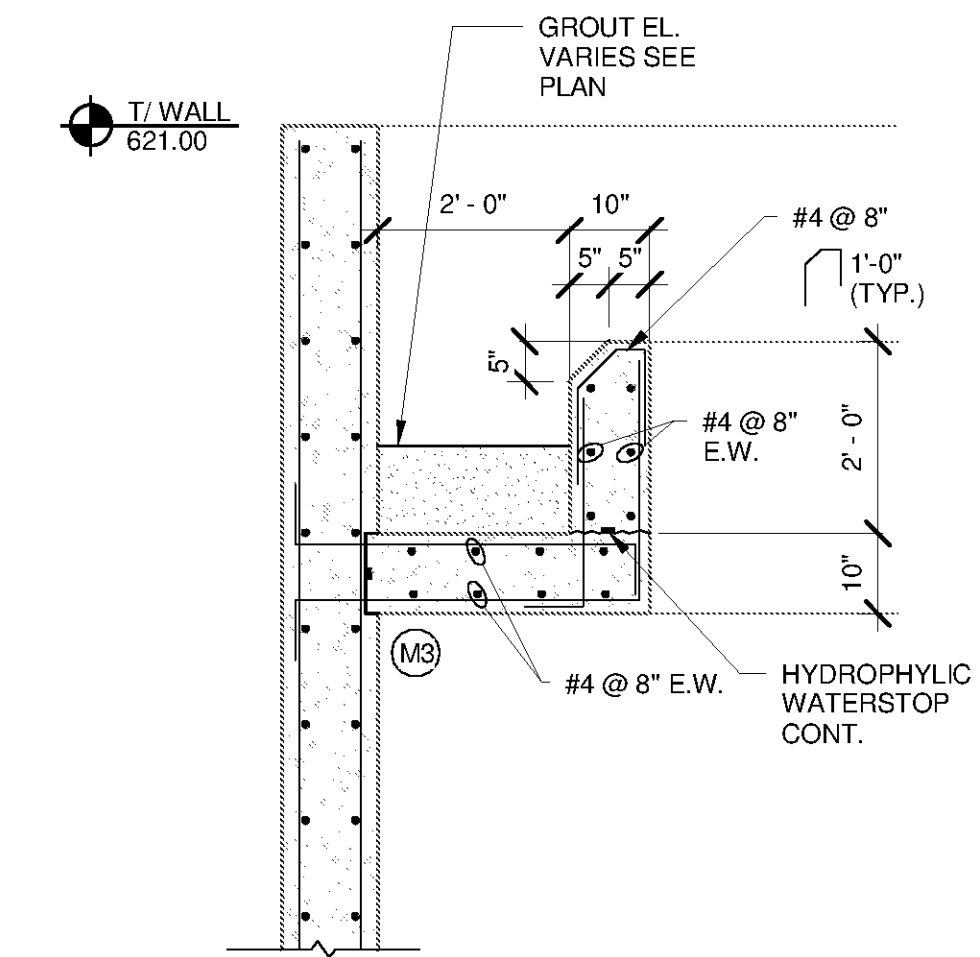


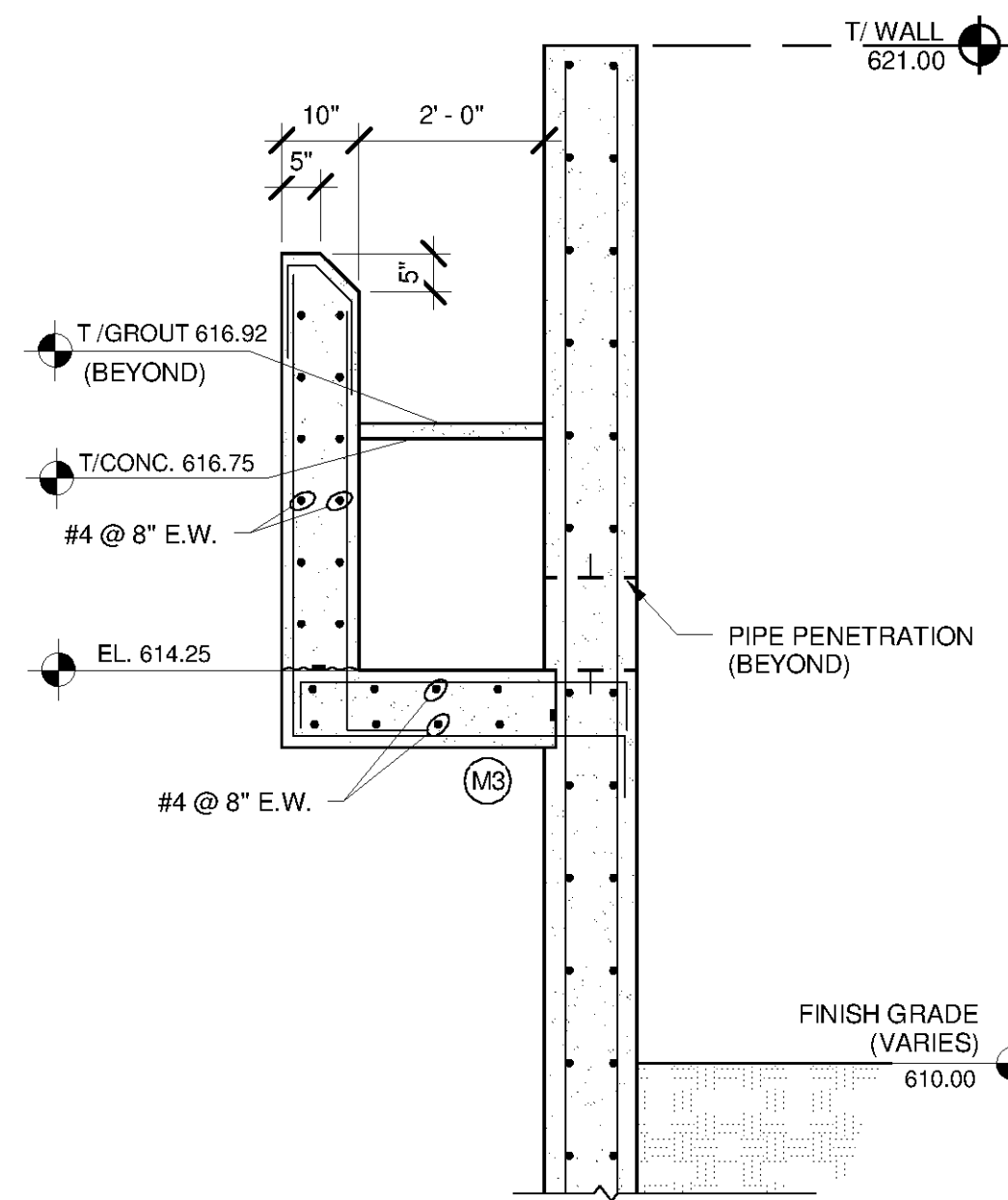
3 CENTER STRUCTURE REINF
S-5101 SCALE: 1/2" = 1'-0"



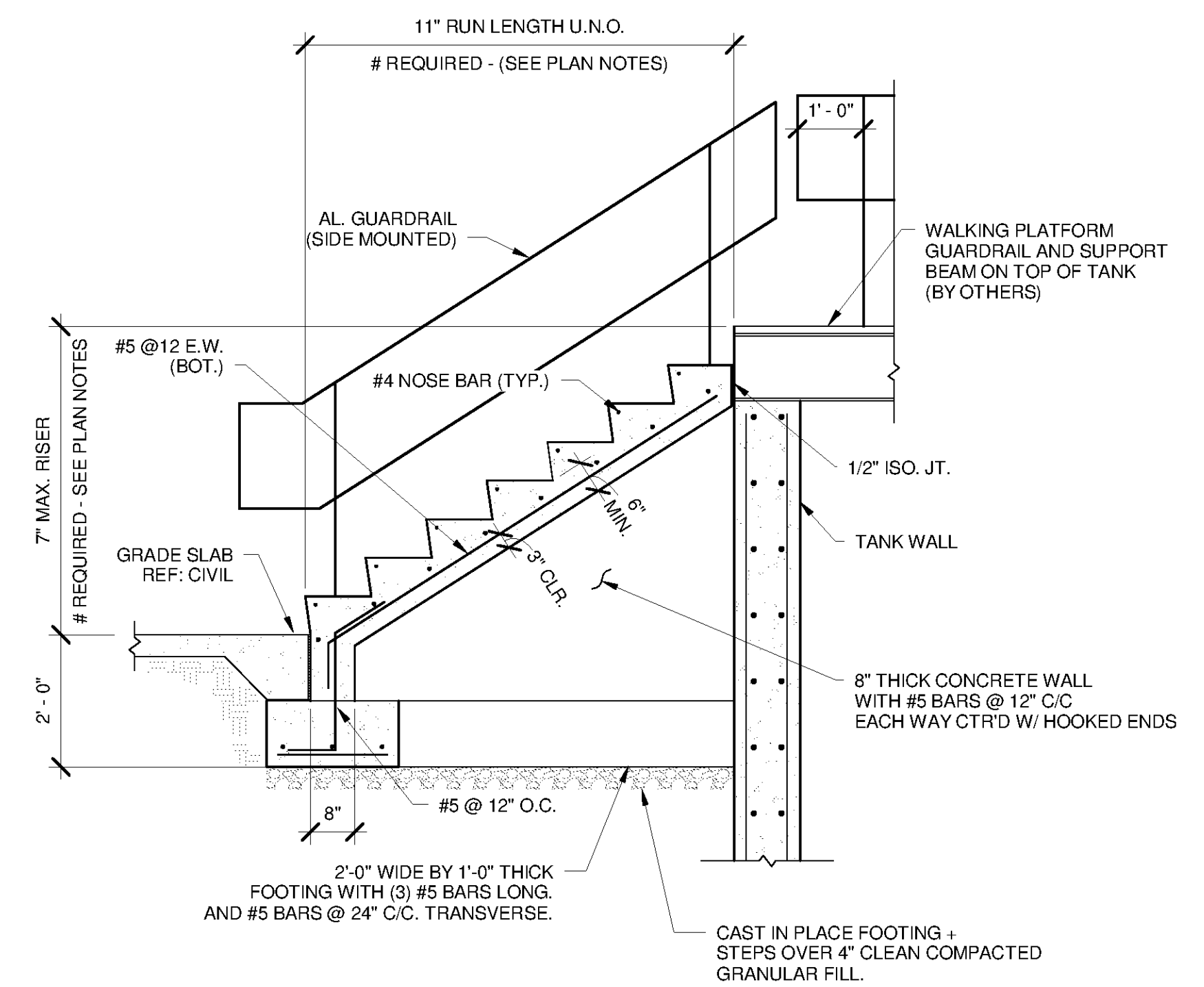
4 WALL FOOTING REINF
S-5101 SCALE: 1/2" = 1'-0"



5 TYP. LAUNDER DETAIL
S-5101 SCALE: 1/2" = 1'-0"



B EFFLUENT BOX SECTION
S-5101 SCALE: 1/2" = 1'-0"



C TYP. EXTERIOR STAIRS
S-5101 SCALE: 1/2" = 1'-0"



MARK	DATE	DESCRIPTION	BY