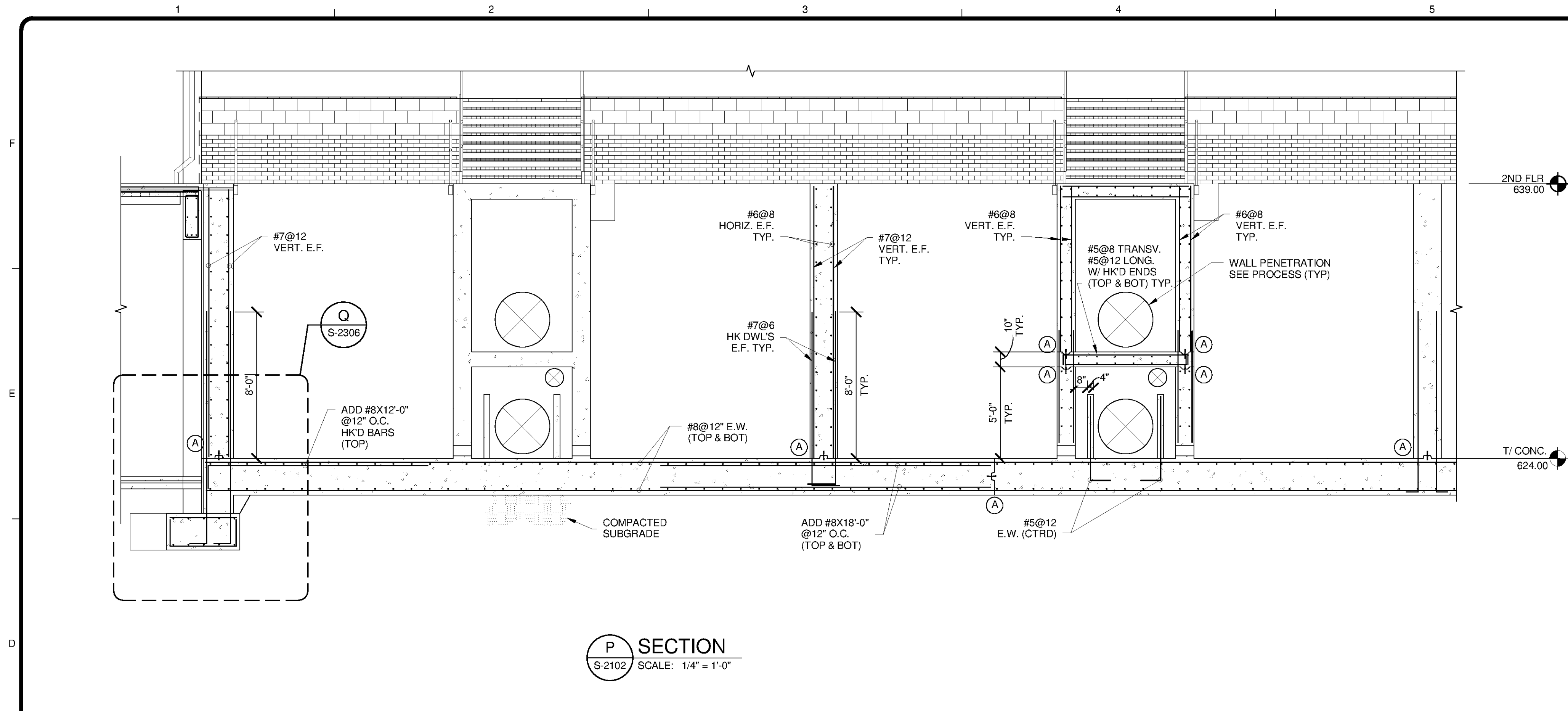
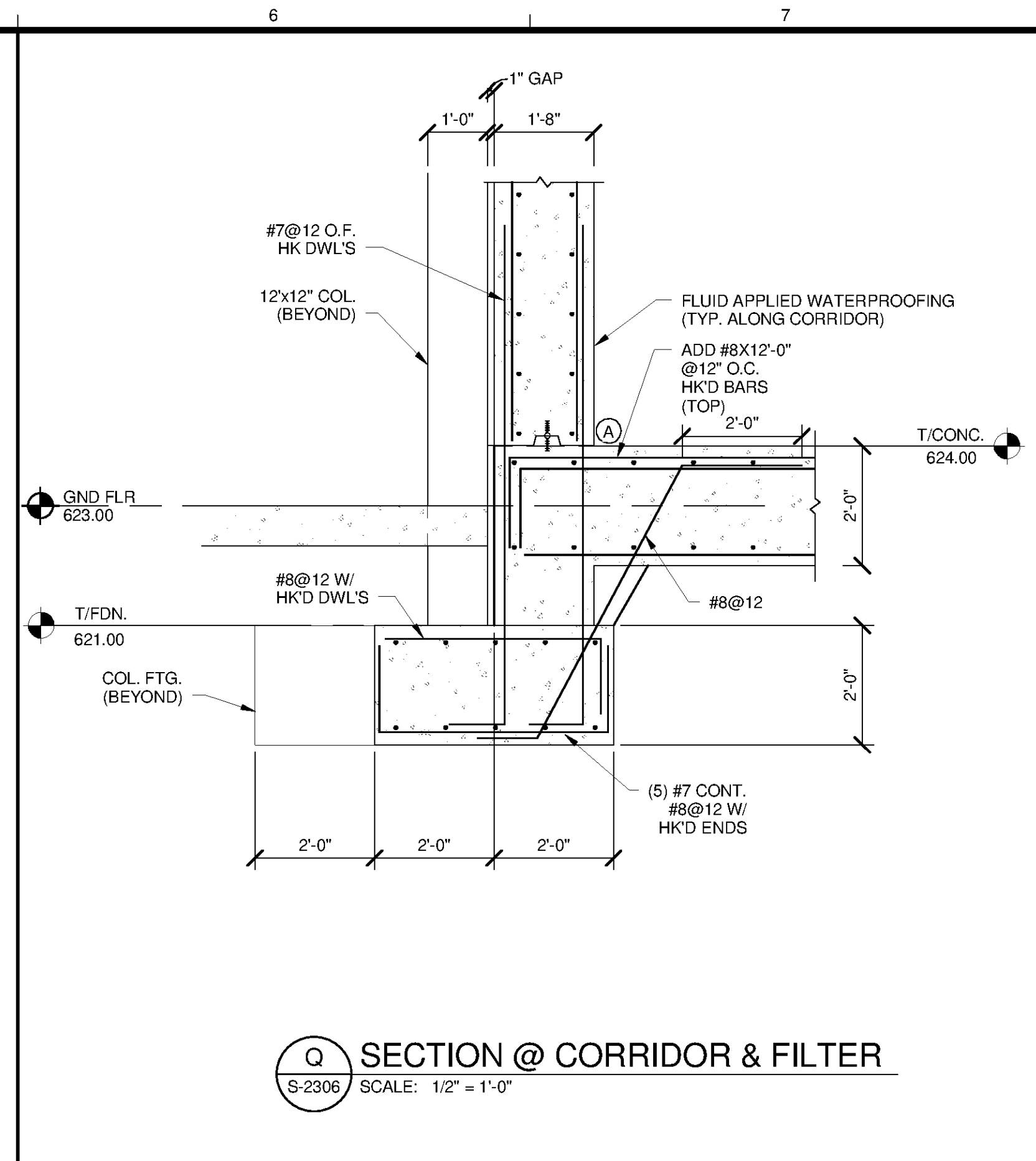


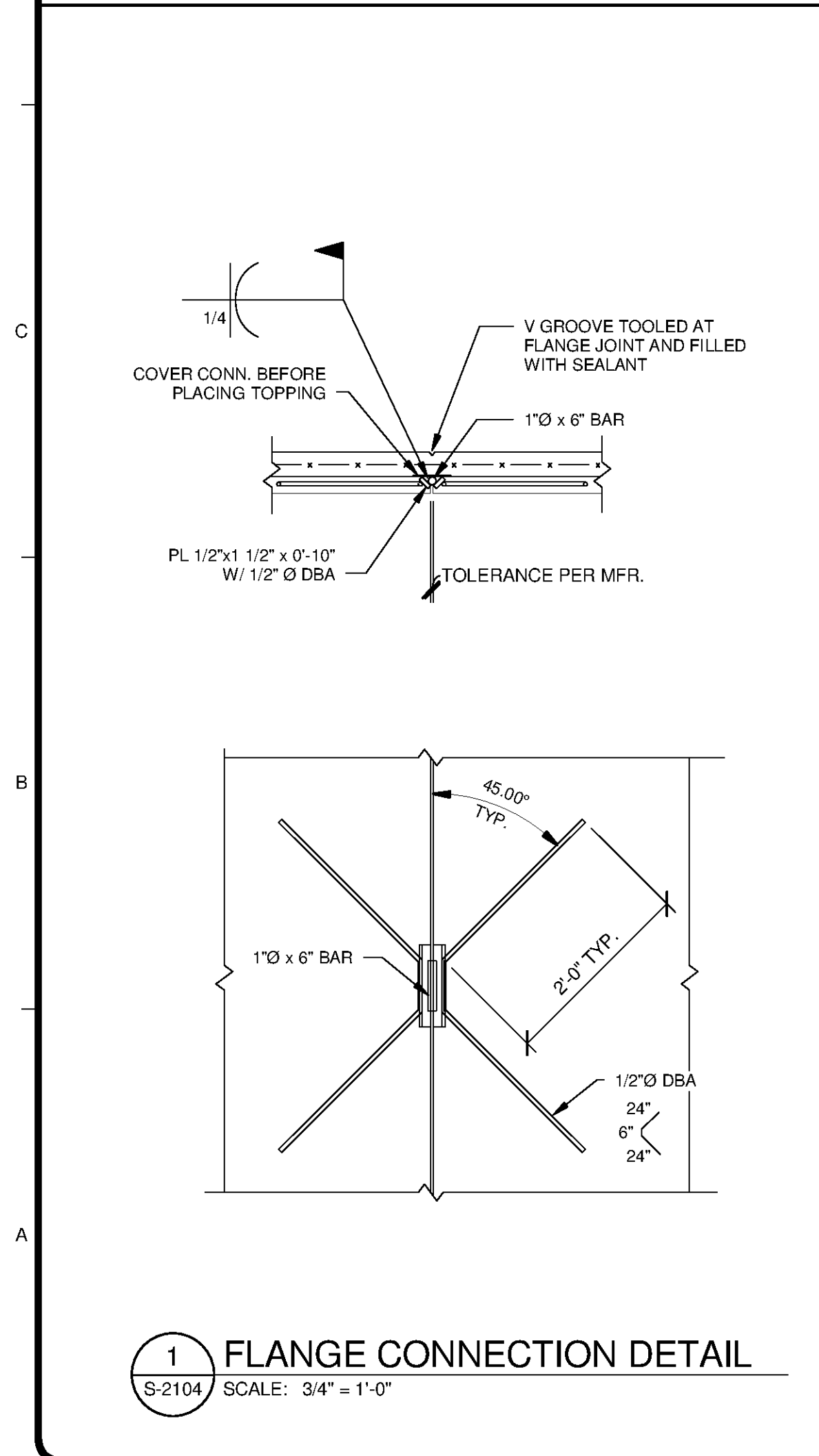
10/1/2014 3:20:34 PM C:\Revit Local\WTP-11740-S-MANPEL_Justin.Greenwell.rvt



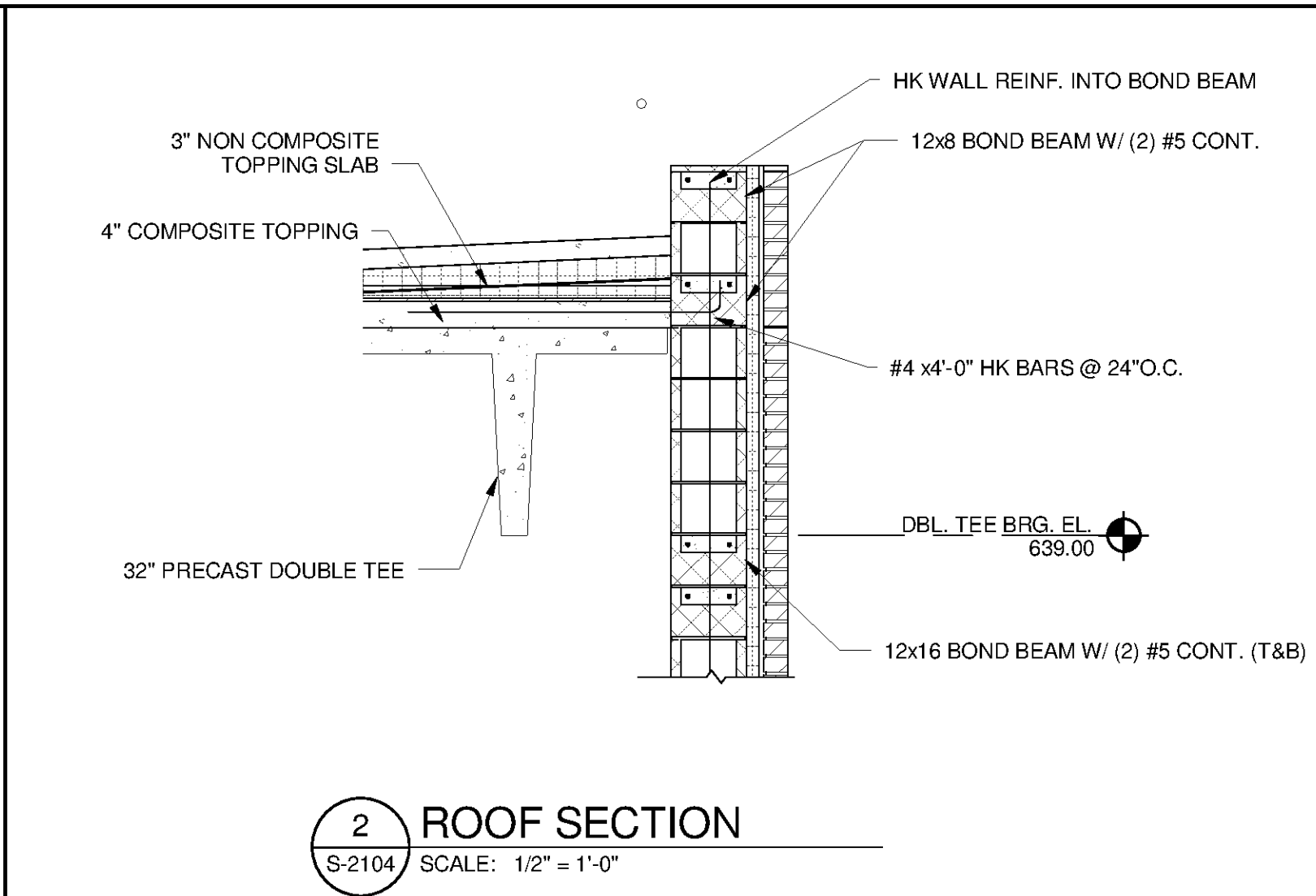
P SECTION
S-2102 SCALE: 1/4" = 1'-0"



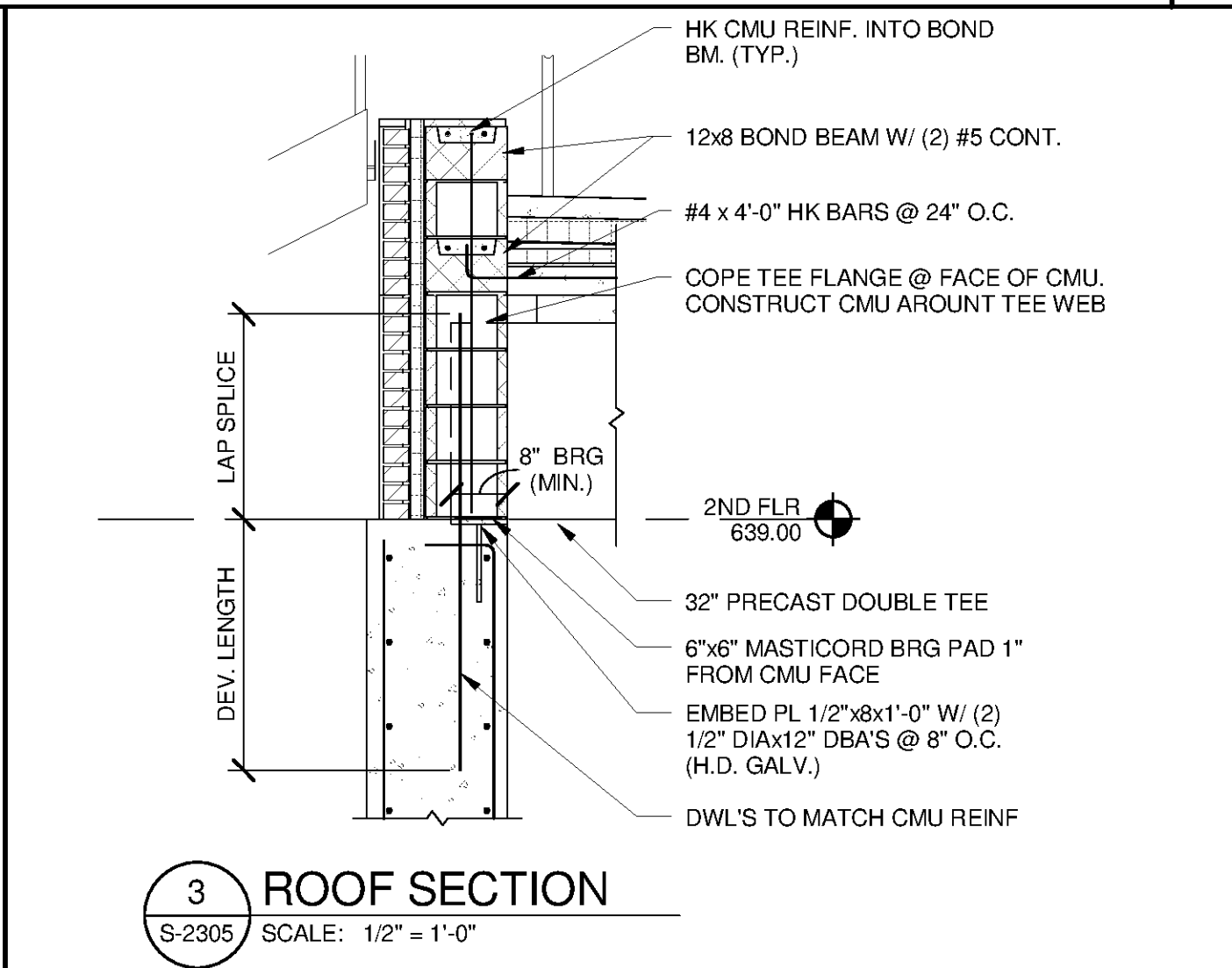
Q SECTION @ CORRIDOR & FILTER
S-2306 SCALE: 1/2" = 1'-0"



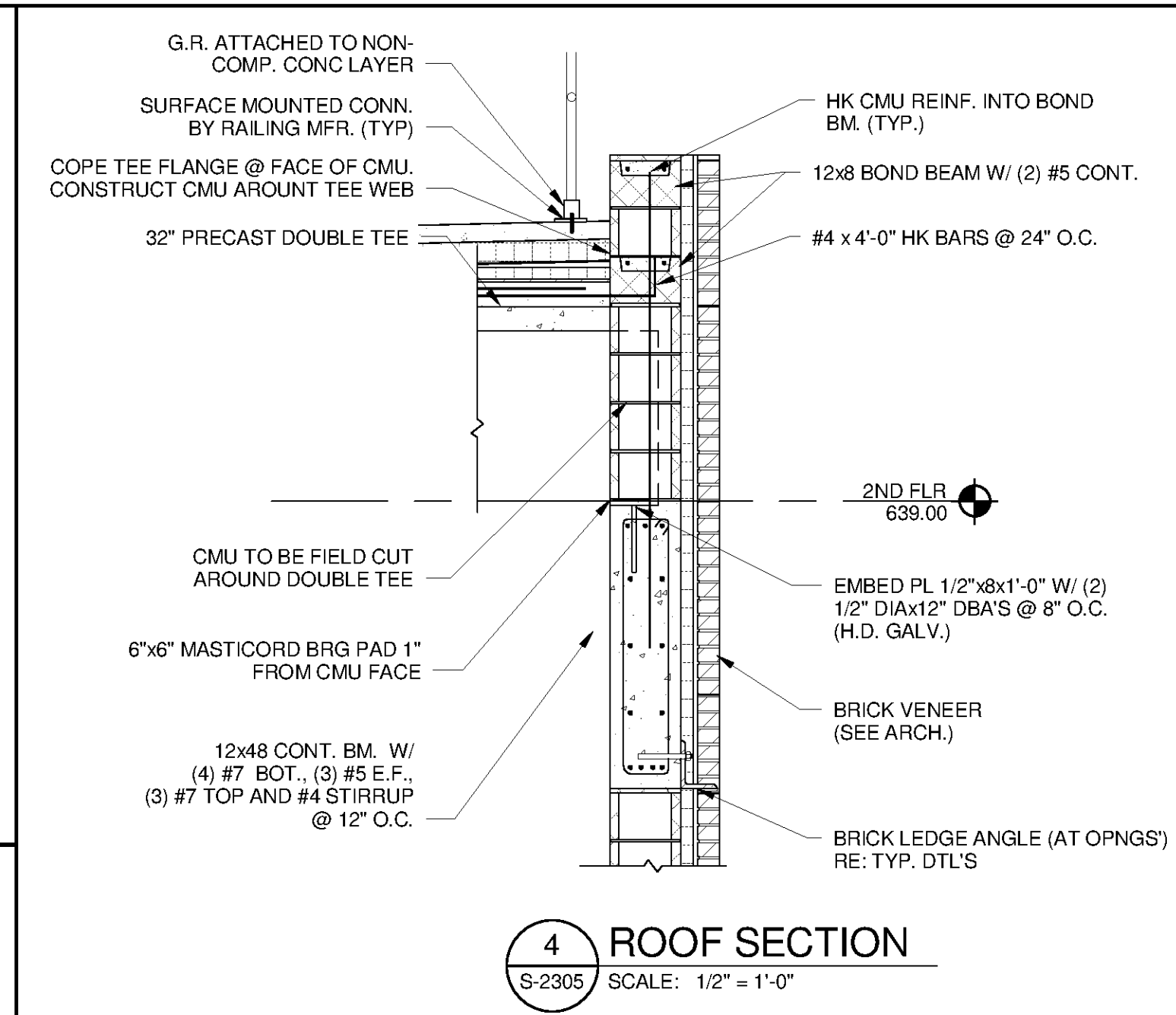
1 FLANGE CONNECTION DETAIL
S-2104 SCALE: 3/4" = 1'-0"



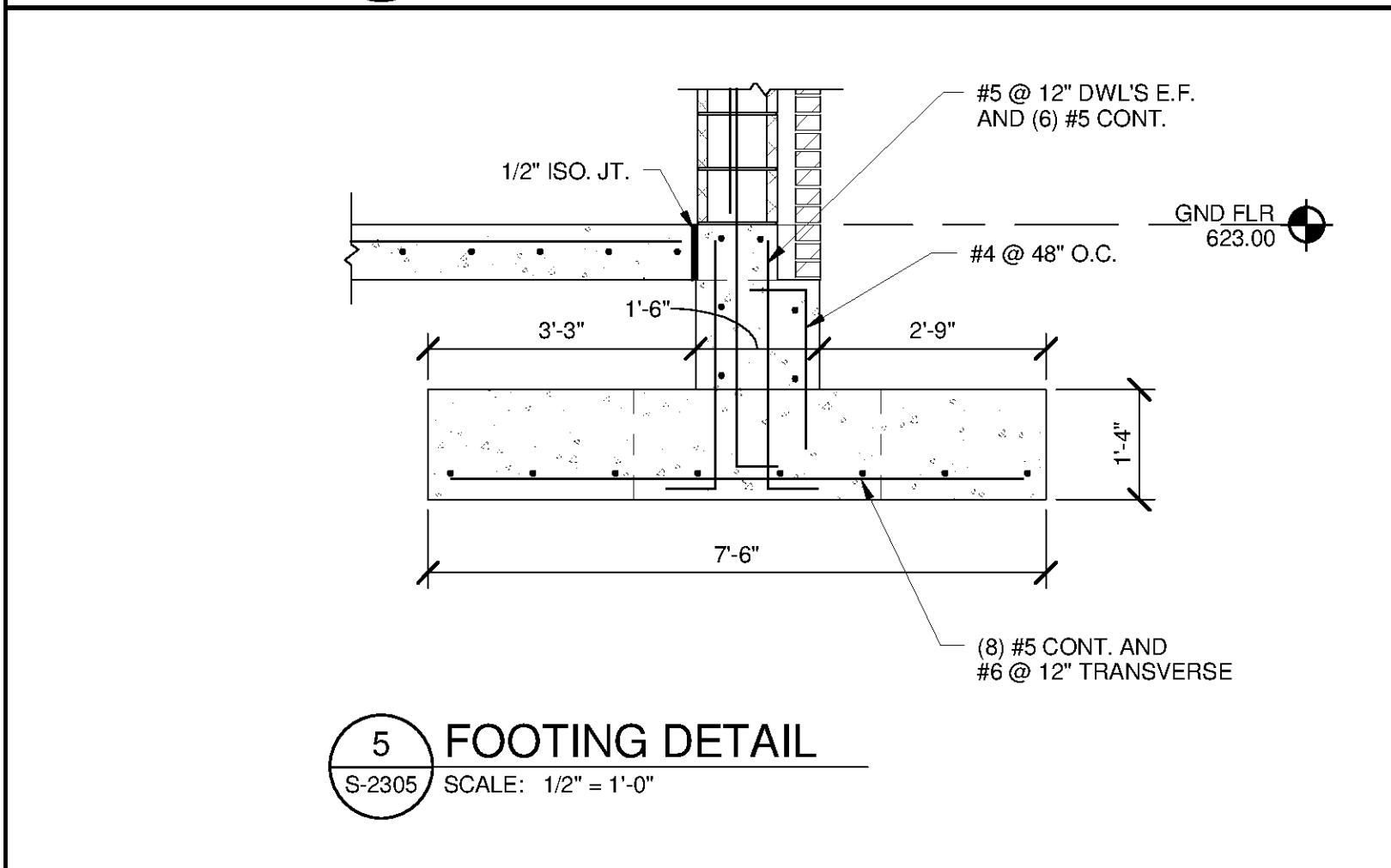
2 ROOF SECTION
S-2104 SCALE: 1/2" = 1'-0"



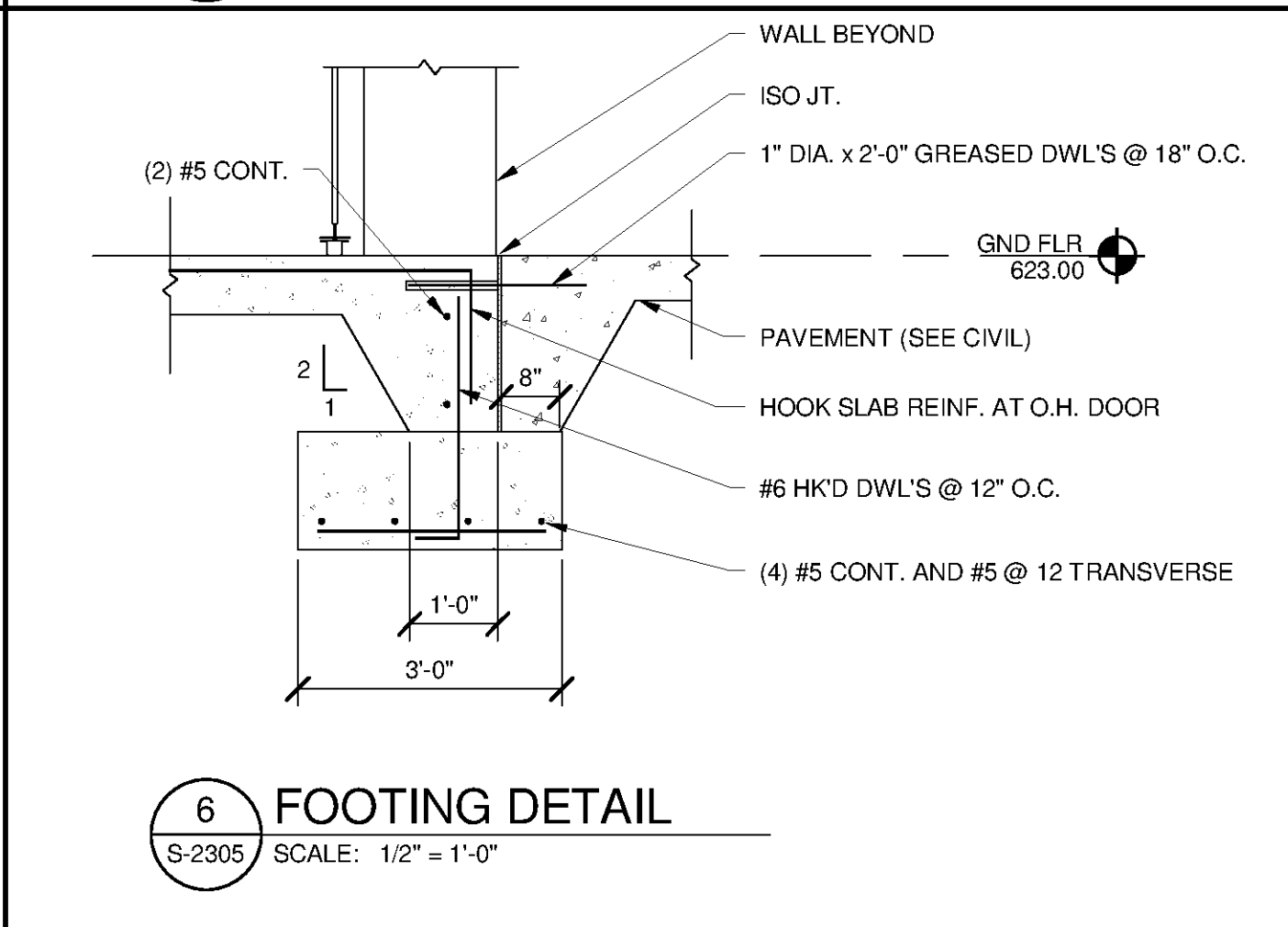
3 ROOF SECTION
S-2305 SCALE: 1/2" = 1'-0"



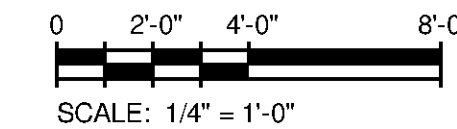
4 ROOF SECTION
S-2305 SCALE: 1/2" = 1'-0"



5 FOOTING DETAIL
S-2305 SCALE: 1/2" = 1'-0"



6 FOOTING DETAIL
S-2305 SCALE: 1/2" = 1'-0"



www.tetrattech.com
101 QUALITY CIRCLE, SUITE 140
HUNTSVILLE, ALABAMA 35896
PHONE: (256) 424-4077 FAX: (256) 424-4087

ALABAMA
LICENSED
PROFESSIONAL
ENGINEER
No. 35153-E
JLB
10/24/14

BID SET

BY	DATE	MARK	DESCRIPTION

HUNTSVILLE UTILITIES
SOUTHEAST WATER TREATMENT PLANT

FILTER & PIPE GALLERY
SECTIONS & DETAILS

Project No.: 200-11740-10003
Designed By: JLB

Drawn By: BRF
Checked By: CDC

S-2306

Copyright: Tetra Tech

Bar Measures 1 Inch