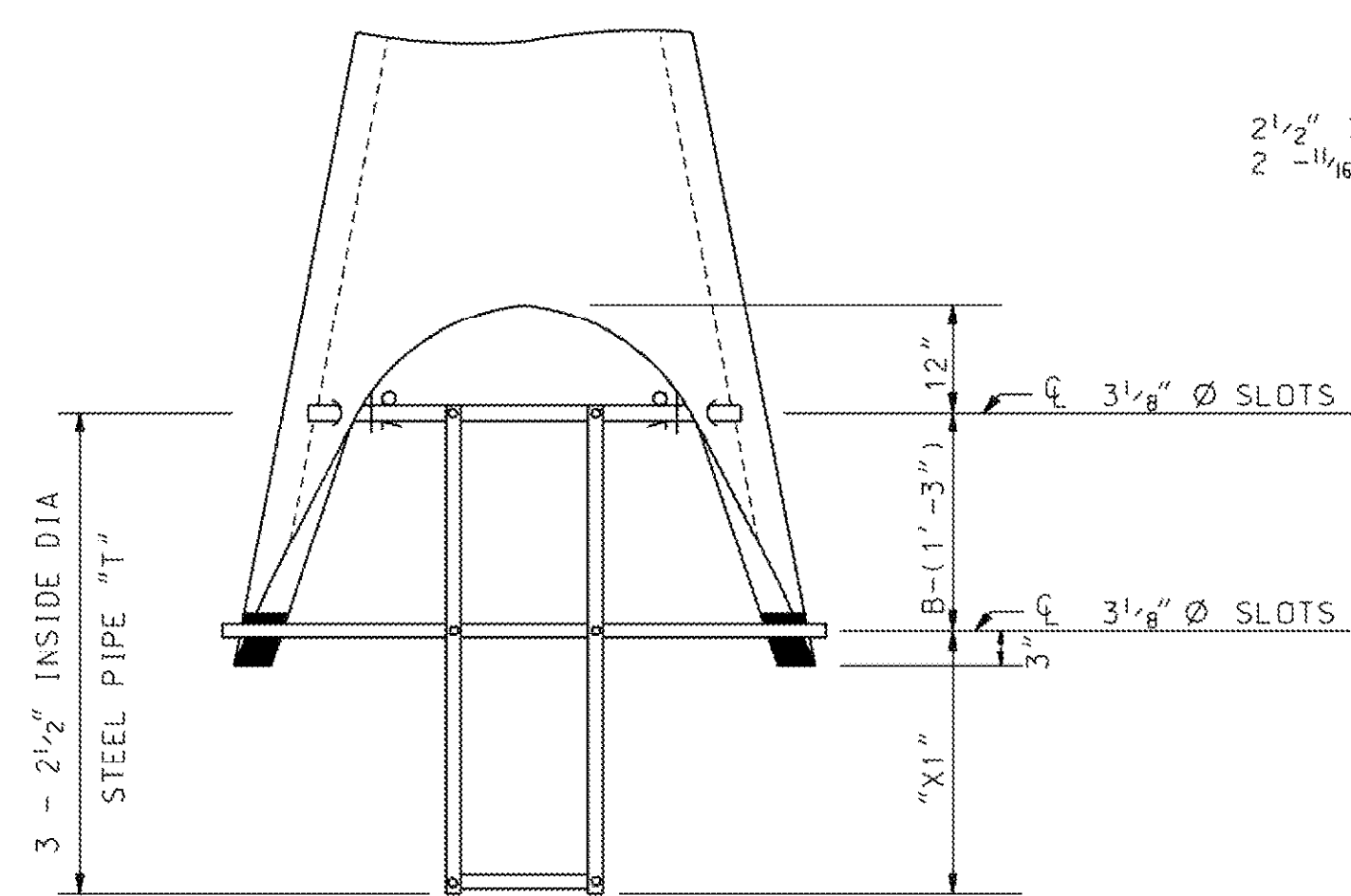
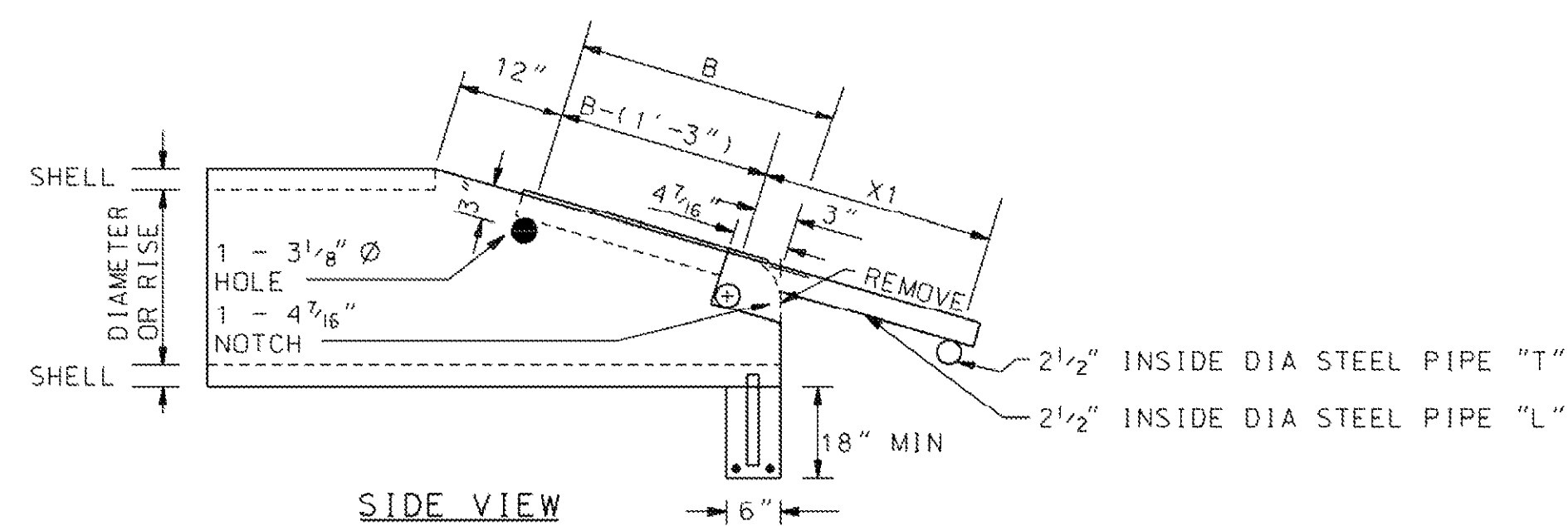


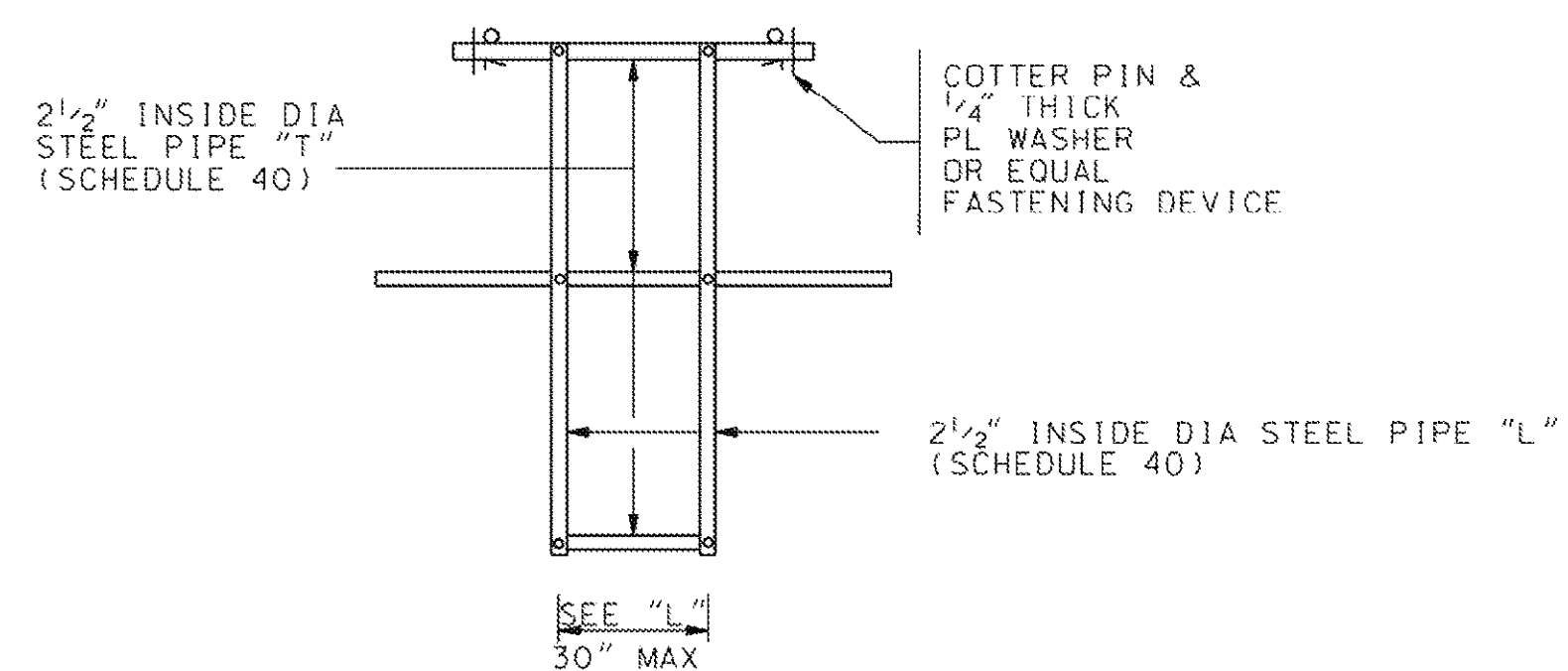
10/6/2014 2:55:46 PM - \\ERS161FS1\PROJECTS\IER11740\200-11740-10003\CAD\SHEET\FILESTREATMENT PLANT\WTP C-9504 TO C-9506\DETAILS.DWG SANFORD, CHADWICK



PLAN



SIDE VIEW

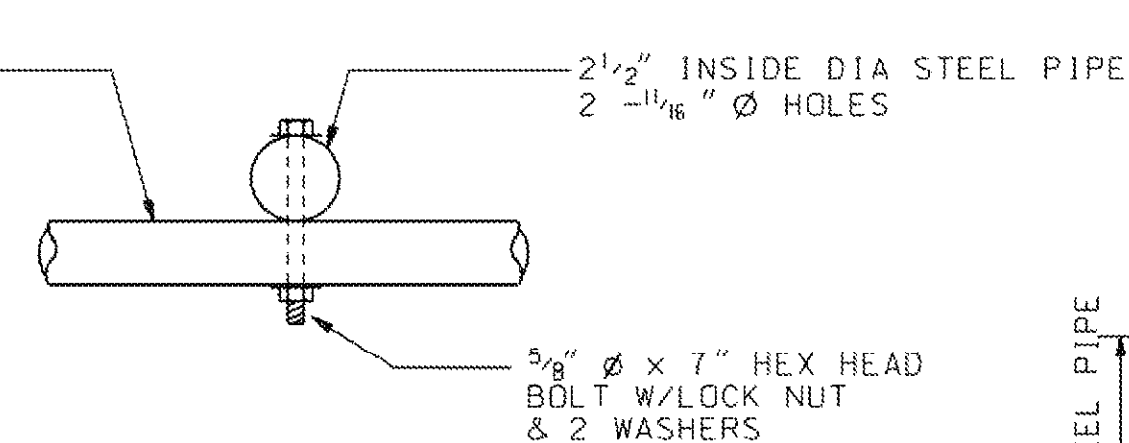


GRATE DETAIL

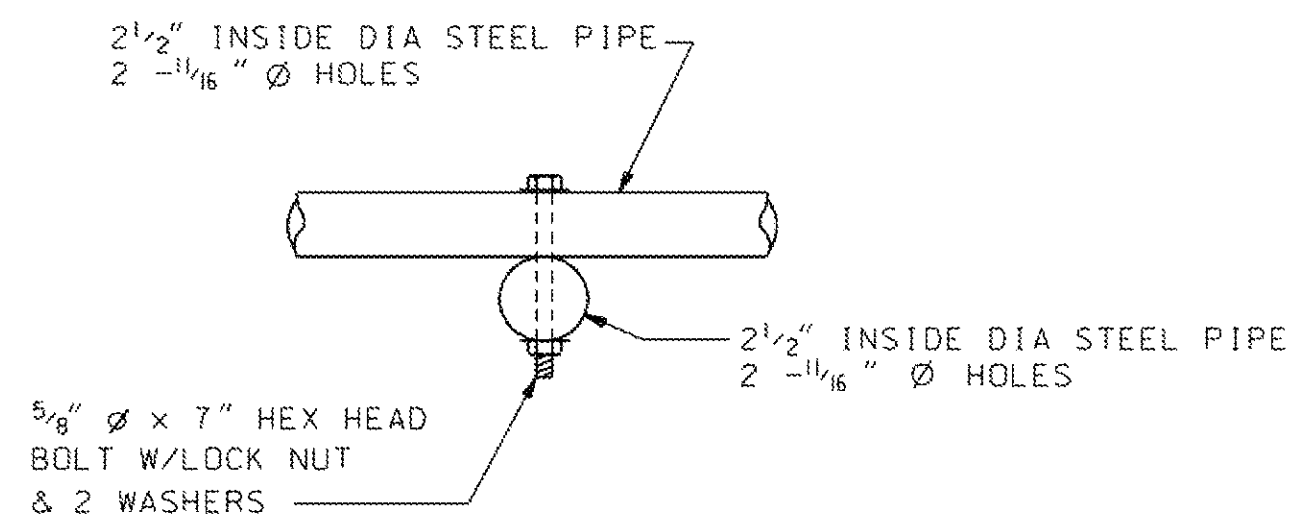
ROADWAY PIPE GRATE DETAILS

FLARED END SECTION

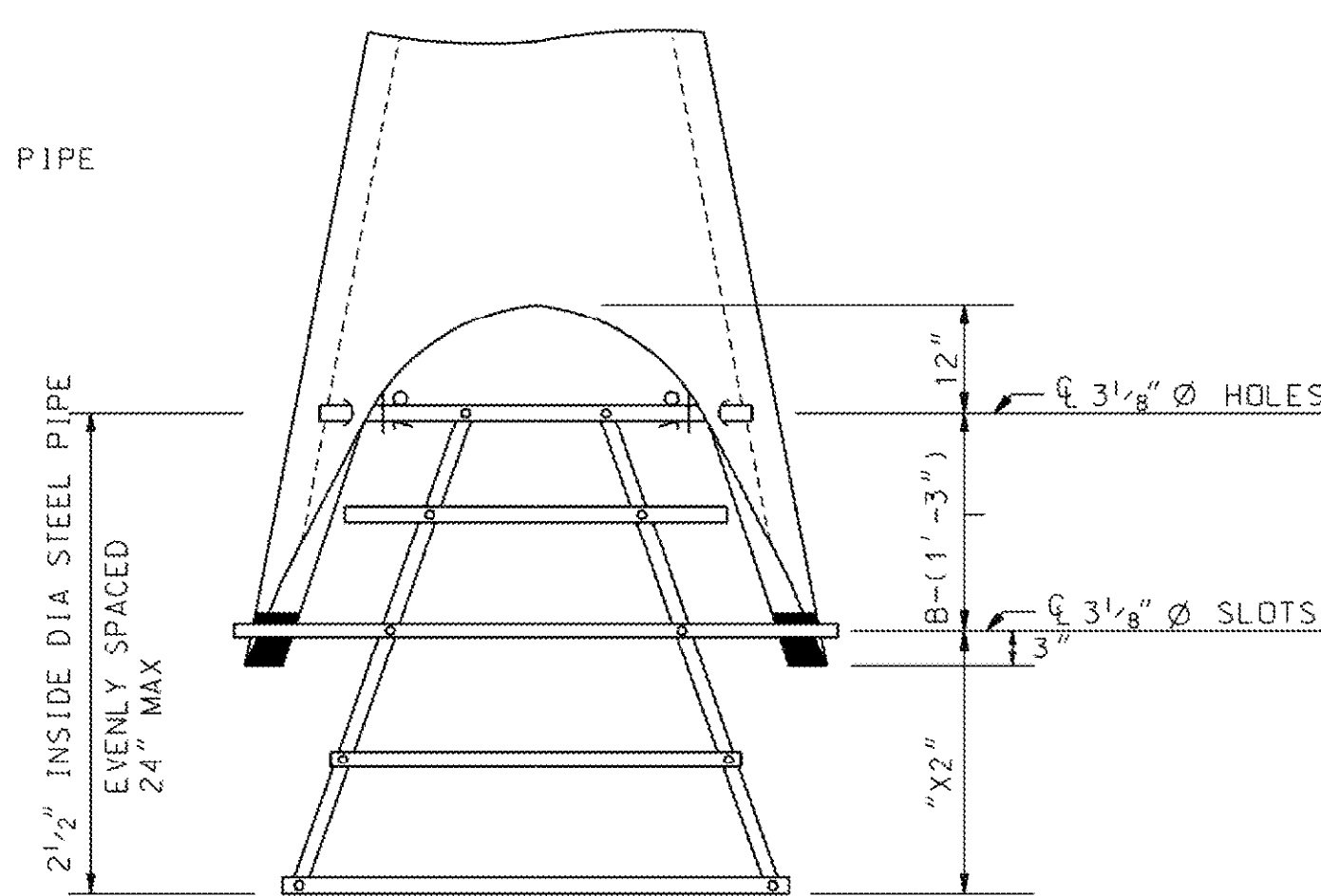
1 DETAIL
SCALE: N.T.S.



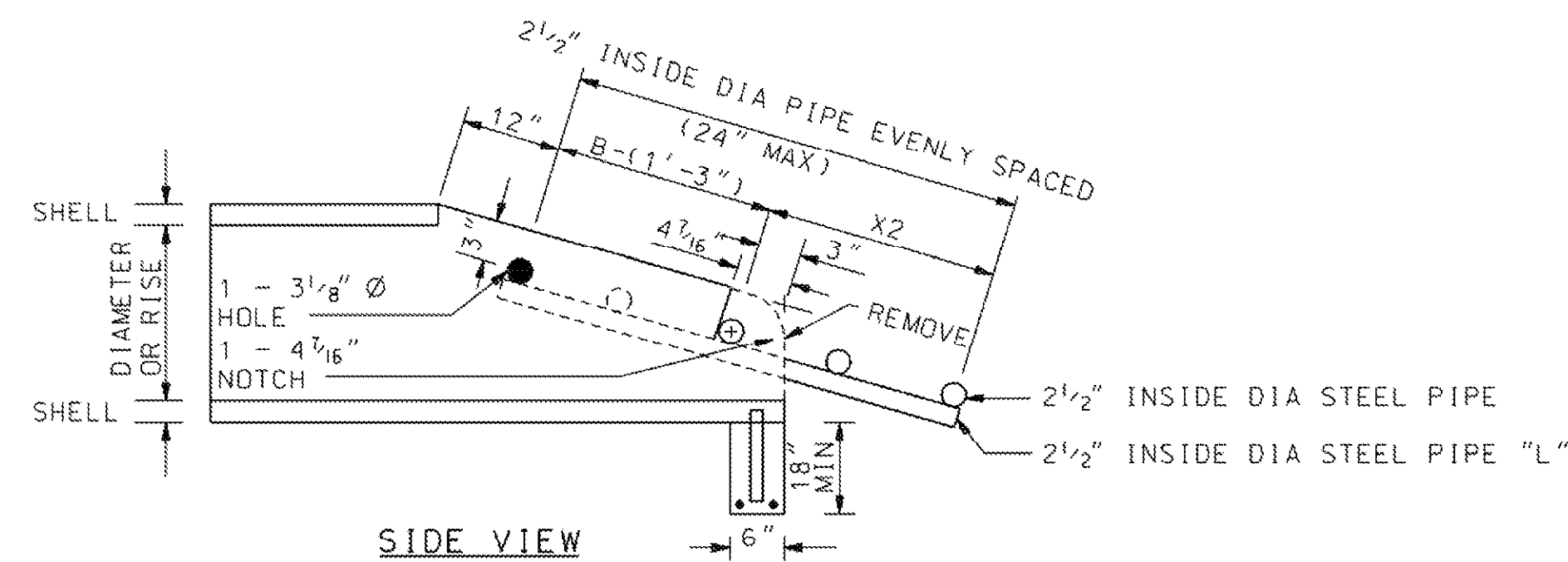
FASTENING DETAIL
(ROADWAY)



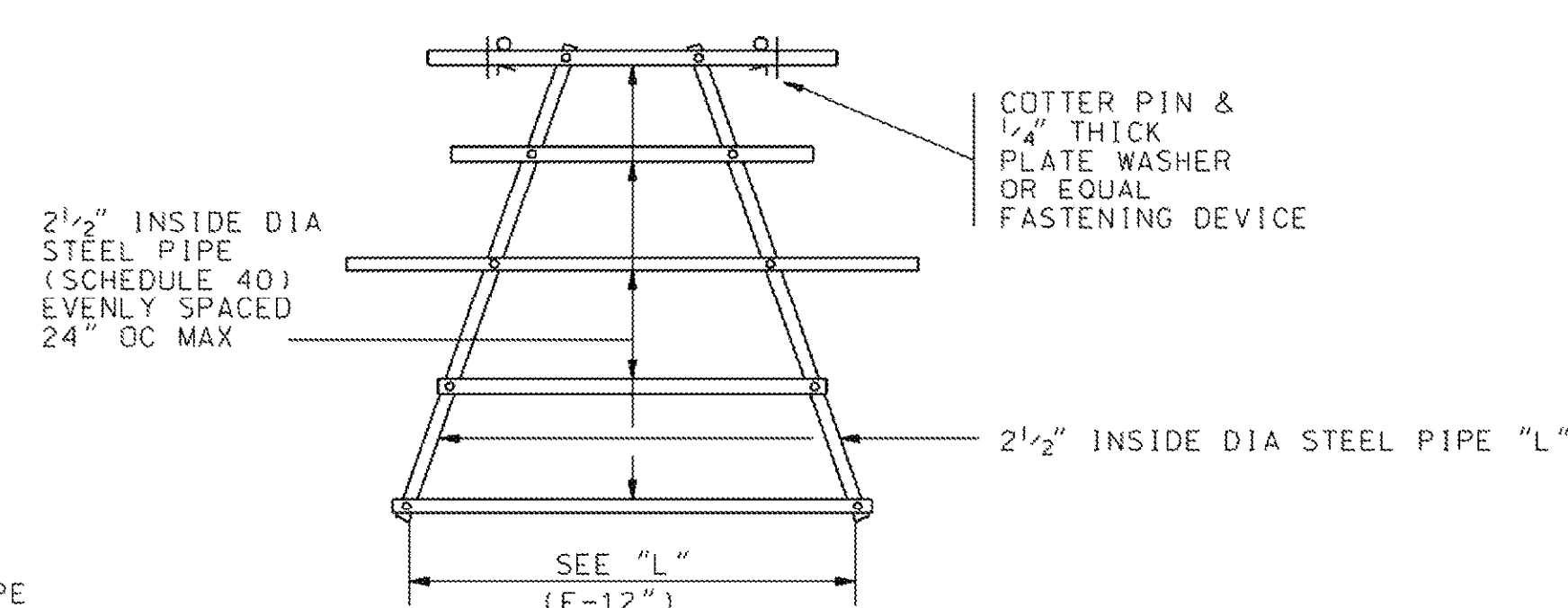
FASTENING DETAIL
(SIDEDRAIN)



PLAN



SIDE VIEW

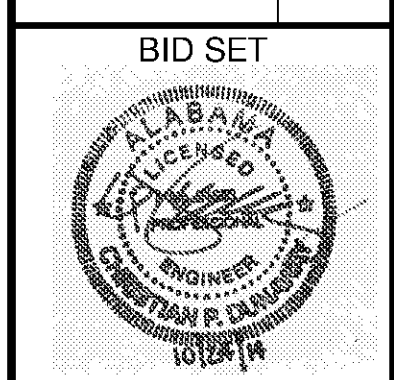


GRATE DETAIL

SIDEDRAIN PIPE GRATE DETAIL

NOTE:
GALVANIZED ALL STEEL PIPING.

ALABAMA DEPARTMENT
OF TRANSPORTATION
SPECIAL DRAWING NO.
FE-619
INDEX NO.
409



MARK	DATE	DESCRIPTION	BY

HUNTSVILLE UTILITIES
SOUTHEAST WATER TREATMENT PLANT
STANDARD CIVIL DETAILS

Project No.: 200-11740-10003
Designed By: JRW
Drawn By: WDV
Checked By: JPT

C-9510