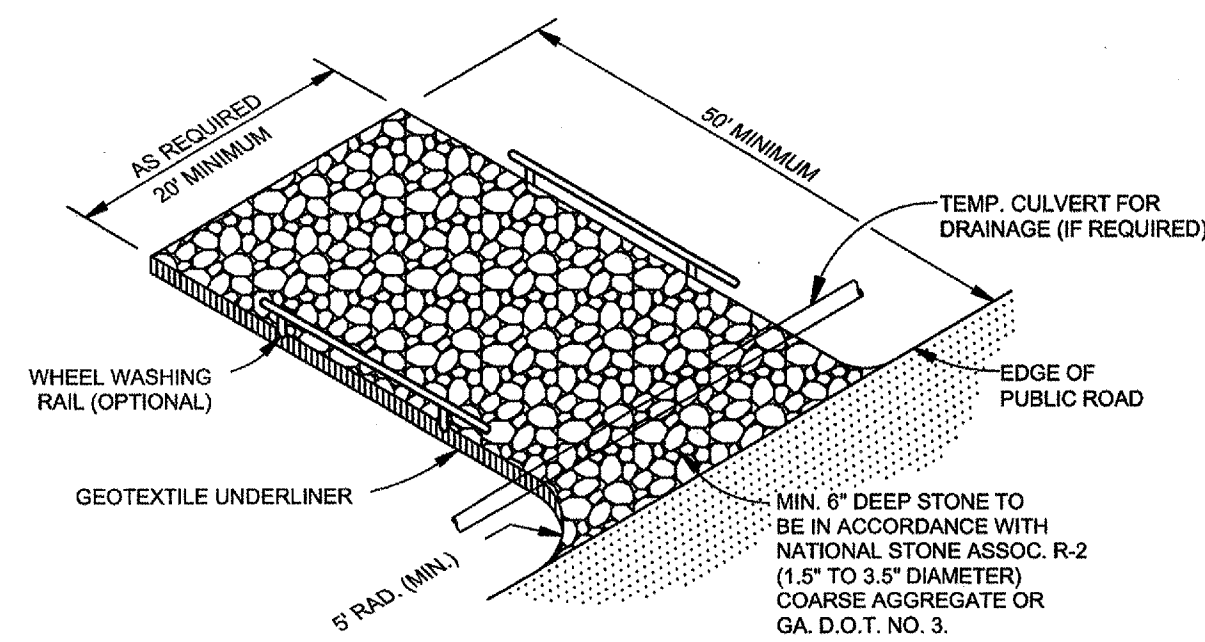
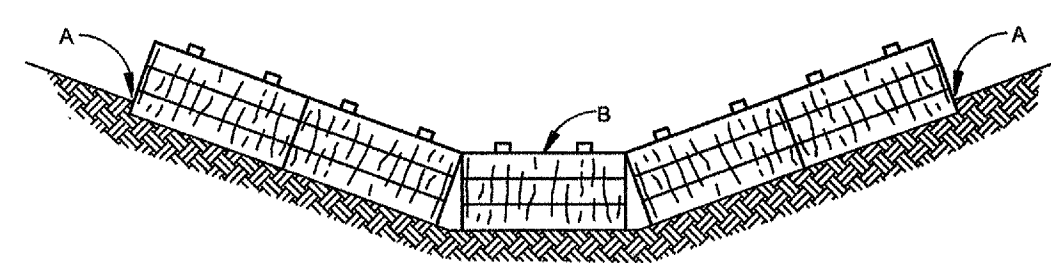


NOTE: EXIT SHALL BE MAINTAINED IN A CONDITION WHICH WILL PREVENT TRACKING OR FLOW OF MUD ONTO PUBLIC R-O-W. THIS MAY REQUIRE PERIODIC TOP DRESSING WITH 1.5 TO 3.5 INCH STONE, AS CONDITIONS DEMAND, AND REPAIR AND/OR CLEANOUT OF ANY STRUCTURES USED TO TRAP SEDIMENT. ALL MATERIALS SPILLED, DROPPED, WASHED, OR TRACKED FROM VEHICLES OR SITE ONTO ROADWAYS OR INTO STORM DRAINS MUST BE REMOVED IMMEDIATELY.

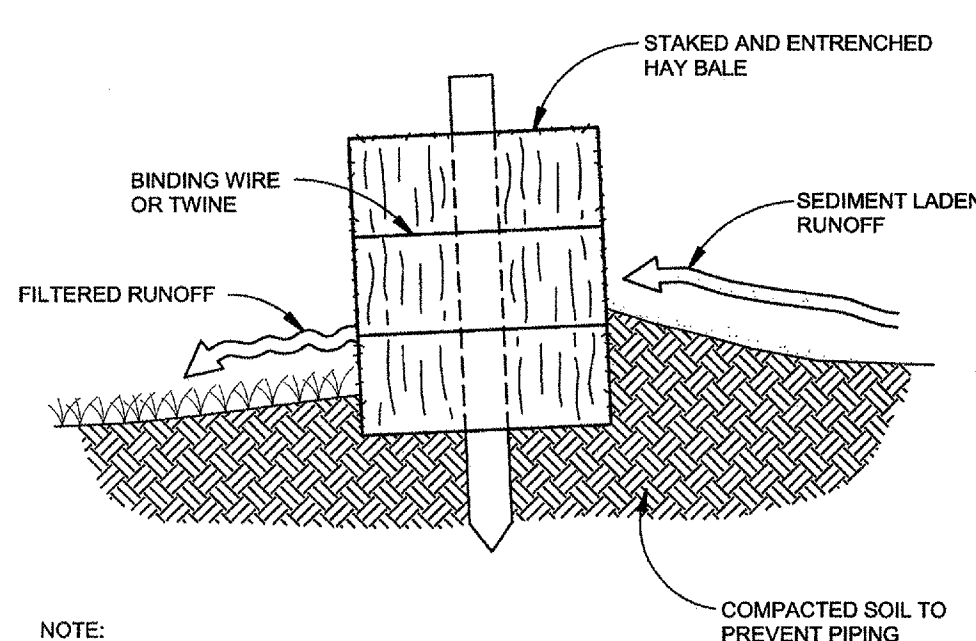


C0 CONSTRUCTION EXIT
NOT TO SCALE



NOTE: POINTS A SHOULD BE HIGHER THAN POINT B

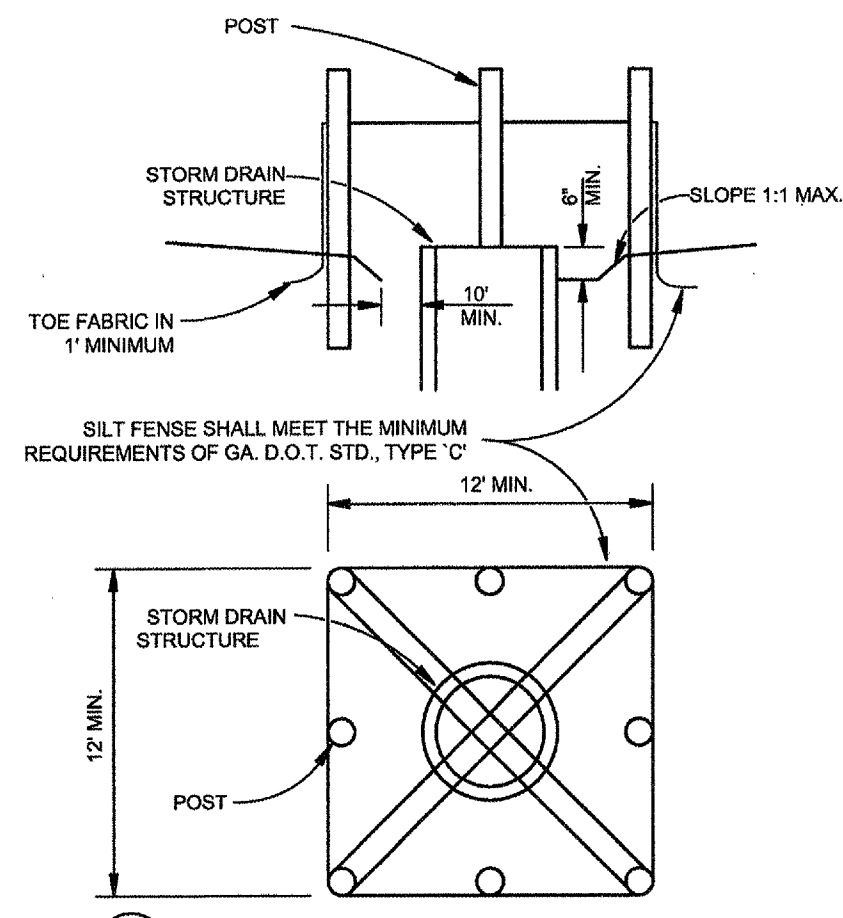
PLAN VIEW



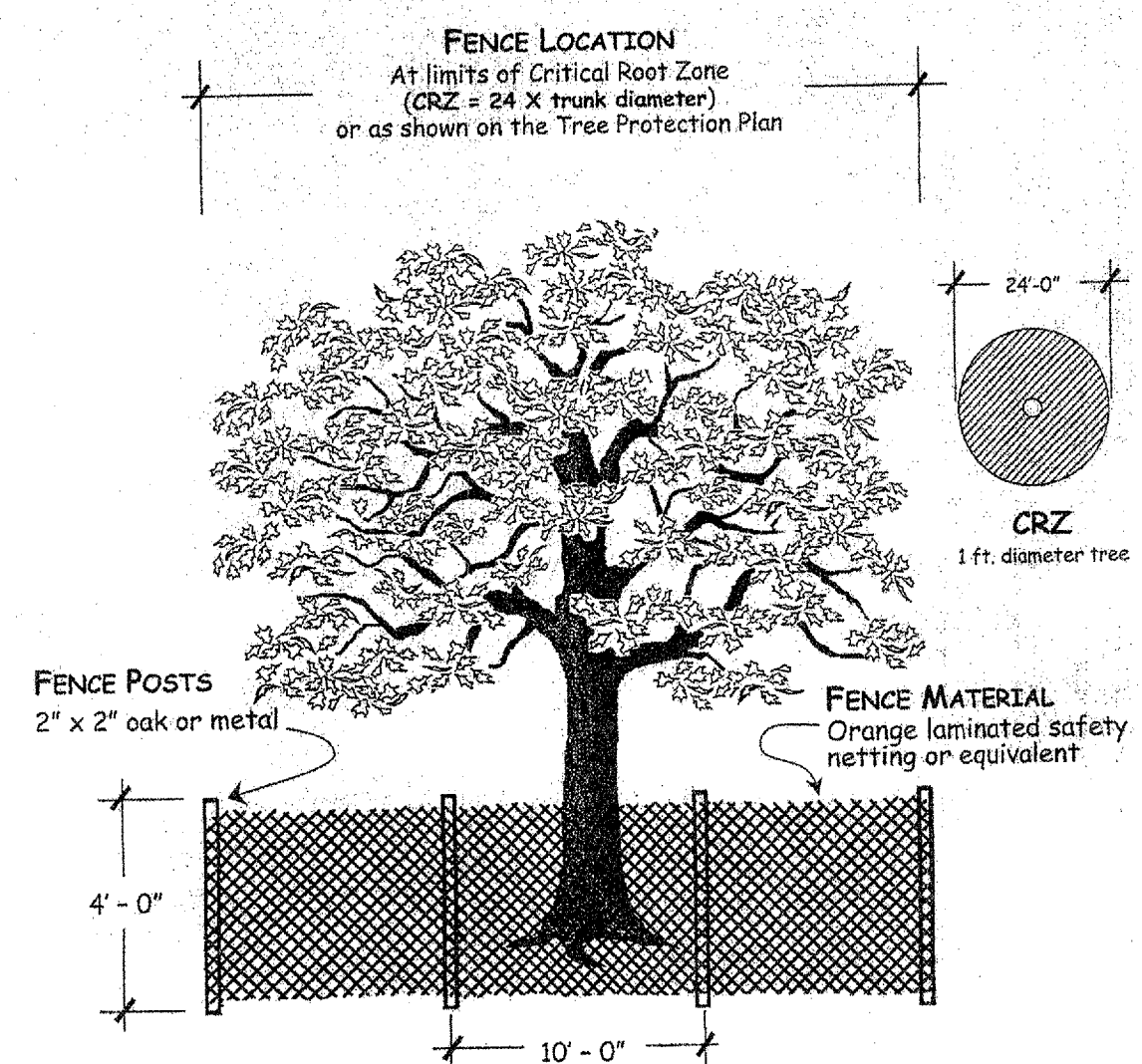
NOTE: EMBED HAY BALES A MIN. OF 4 INCHES.

SECTION VIEW

Cd SEDIMENT BARRIER
HAY OR STRAW BALE
NOT TO SCALE

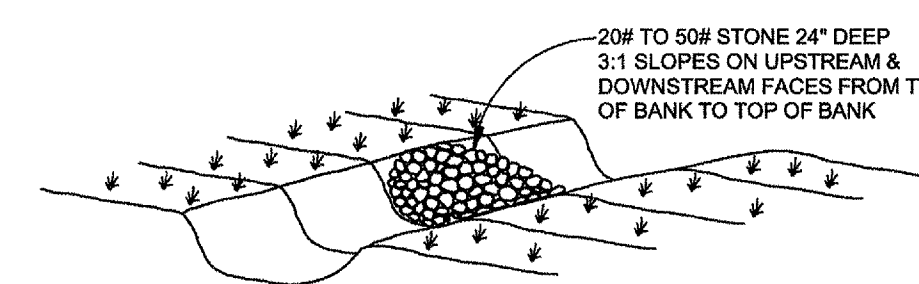


Sd2 INLET SEDIMENT TRAP
NOT TO SCALE

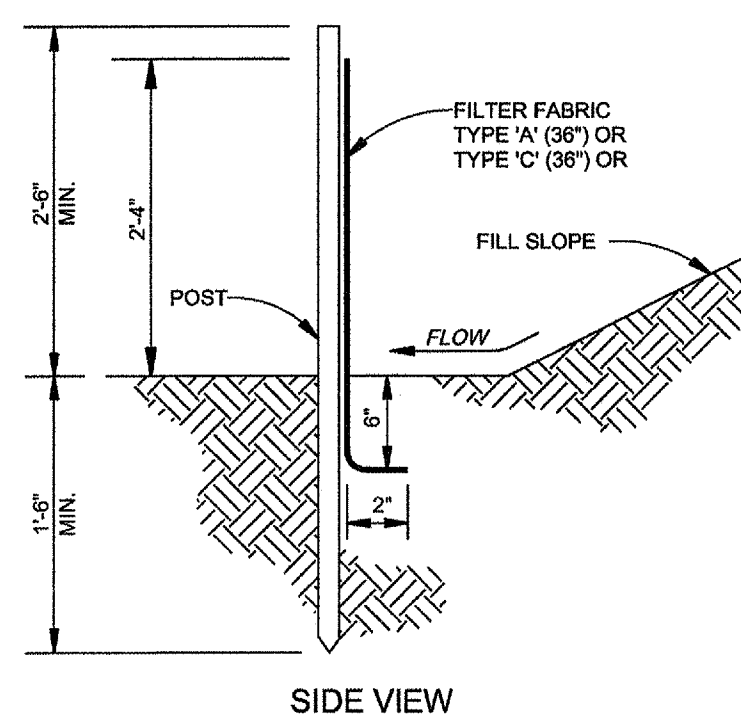


- FOR ADDED PROTECTION
- Provide 4" deep wood chip mulch over any unprotected root zone.
 - Make clean cuts on roots exposed by grading and backfill immediately.
 - Provide temporary irrigation where practical and feasible.

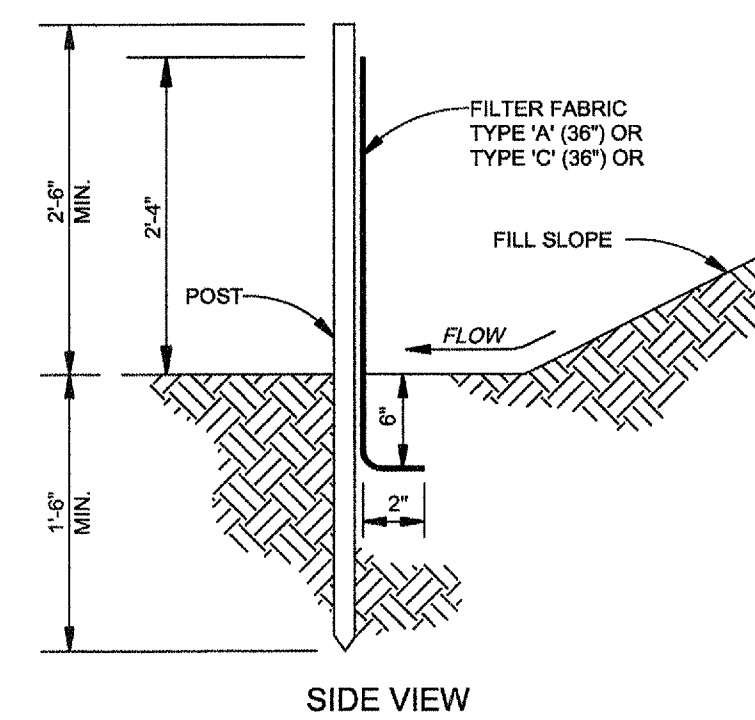
TREE PROTECTION FENCE



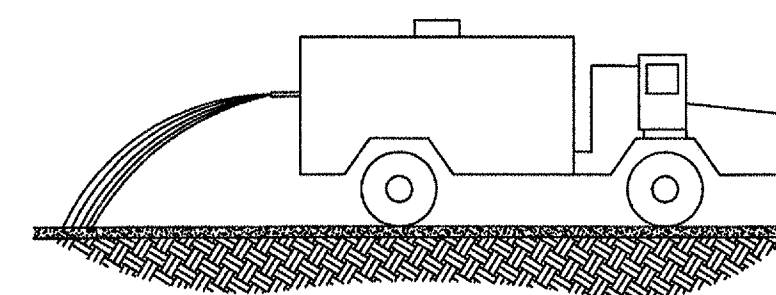
Cd STONE CHECK DAM
NOT TO SCALE



SIDE VIEW



SIDE VIEW



INSTALLATION

- MULCH DISTURBED AREAS AND TACKIFY WITH RESINS SUCH AS ASPHALT, CURASOL OR TERRATACK ACCORDING TO MANUFACTURER'S RECOMMENDATIONS.
- STABILIZE DISTURBED AREAS WITH TEMPORARY PERMANENT VEGETATION.
- IRRIGATE DISTURBED AREAS UNTIL SURFACE IS WET.
- COVER SURFACES WITH CRUSHED STONE OR GRAVEL.
- APPLY CALCIUM CHLORIDE AT A RATE TO KEEP SURFACES MOIST.
- APPLY SPRAY-ON ADHESIVES TO MINERAL SOILS (NOT MUCK SOILS) AS DESCRIBED IN TABLE 1.

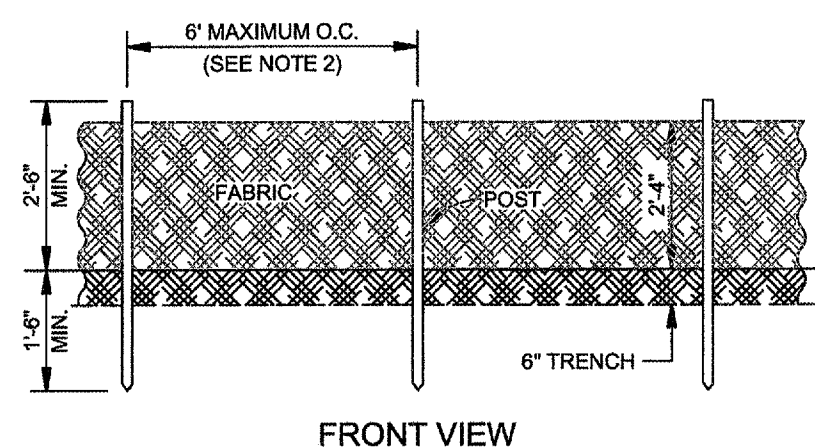
TABLE 1.
SPRAY-ON ADHESIVE APPLICATION REQUIREMENTS

ADHESIVE	WATER DILUTION	NOZZLE TYPE	APPLICATION (Gal./Acre)
ANIONIC ASPHALT EMULSION	7:1	COARSE SPRAY	1,200
LATEX EMULSION	12.5:1	FINE SPRAY	235
RESIN-IN-WATER EMULSION	4:1	FINE SPRAY	300

MAINTENANCE

- PROHIBIT TRAFFIC ON SURFACE AFTER SPRAYING.
- SUPPLEMENT SURFACE COVERING AS NEEDED.

Du DUST CONTROL ON DISTURBED AREAS

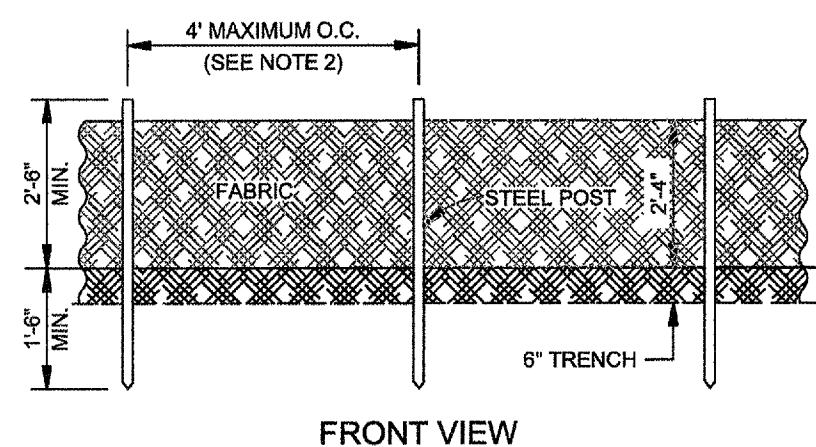


FRONT VIEW

NOTES:

- SILT FENCE INSTALLATION AND MATERIALS SHALL MEET THE MINIMUM REQUIREMENTS OF SECTION 171 OF THE GA. D.O.T. SPECIFICATION (LATEST EDITION).
- MINIMUM POST LENGTH SHALL BE:
4" MIN. WOOD OR STEEL FOR TYPE 'A' FENCE
4" MIN. STEEL FOR TYPE 'C' FENCE

Sd1 SEDIMENT BARRIER
SILT FENCE - TYPE A
NOT TO SCALE



FRONT VIEW

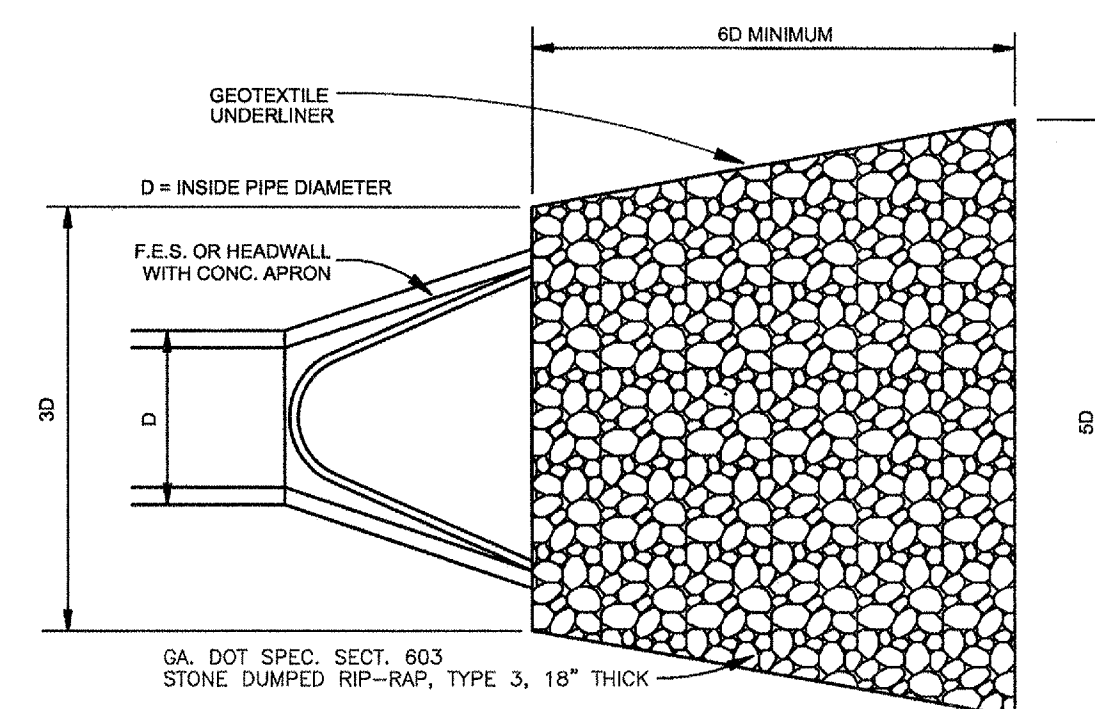
NOTES:

- SILT FENCE INSTALLATION AND MATERIALS SHALL MEET THE MINIMUM REQUIREMENTS OF SECTION 171 OF THE GA. D.O.T. SPECIFICATION (LATEST EDITION).
- TYPE 'C' REQUIRES WOVEN WIRE SUPPORT, A MAXIMUM SPACING OF 4" AND STEEL POSTS.
- MINIMUM POST LENGTH SHALL BE:
4" MIN. STEEL FOR TYPE 'C' FENCE

Sd1 SEDIMENT BARRIER
SILT FENCE - TYPE C
NOT TO SCALE

I certify under penalty of law that this Plan was prepared after a site visit to the locations described herein by myself or my authorized agent, under my supervision.

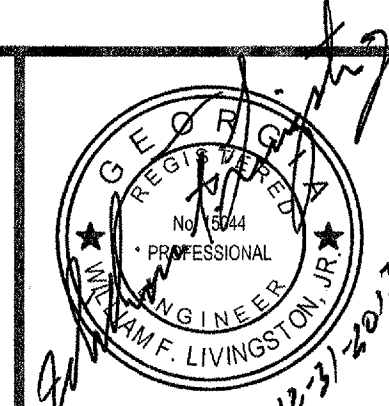
William F. Light
Professional Engineer
GSWCC Level II Certified Design Professional



- NOTES:
- IN WELL DEFINED CHANNELS RIP-RAP SHALL EXTEND TO TOP OF BANK.
 - IF PIPE AND OUTLET PROTECTION ARE DETAILED SOMEWHERE ELSE IN THE PLANS, USE THAT DETAIL, SPEC., OR DIMENSION.

St STORM DRAIN OUTLET PROTECTION
NOT TO SCALE

REVISED: APRIL 19, 2013



ATKINS
192 Anderson Street, Suite 150
Marietta, Ga 30060
P: 770-422-1902 F: 770-426-5316

REVISION	DATE
3	12-29-13

PROJ. NO.: 100034005
DESIGNED BY: W.F.L.
DRAWN BY: M.R.T.
CHECKED BY: W.F.L.
APPROVED BY: W.F.L.
DATE: AUGUST, 2013
SCALE: NTS

CHEROKEE COUNTY WATER & SEWERAGE AUTHORITY
HOLLY SPRINGS
DOWNTOWN SANITARY SEWER SYSTEM
EROSION CONTROL DETAILS

SHEET NO.
EC-05