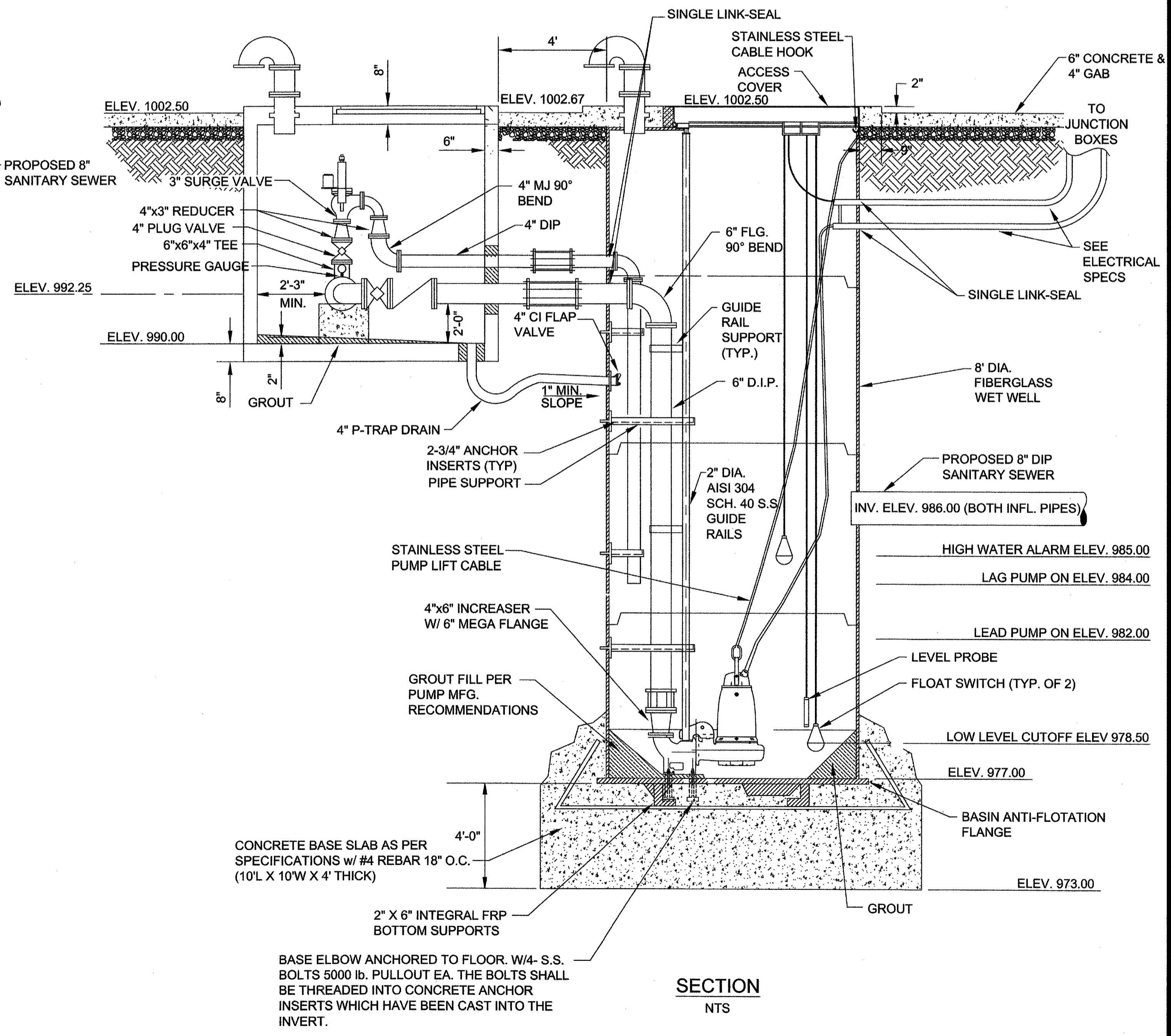
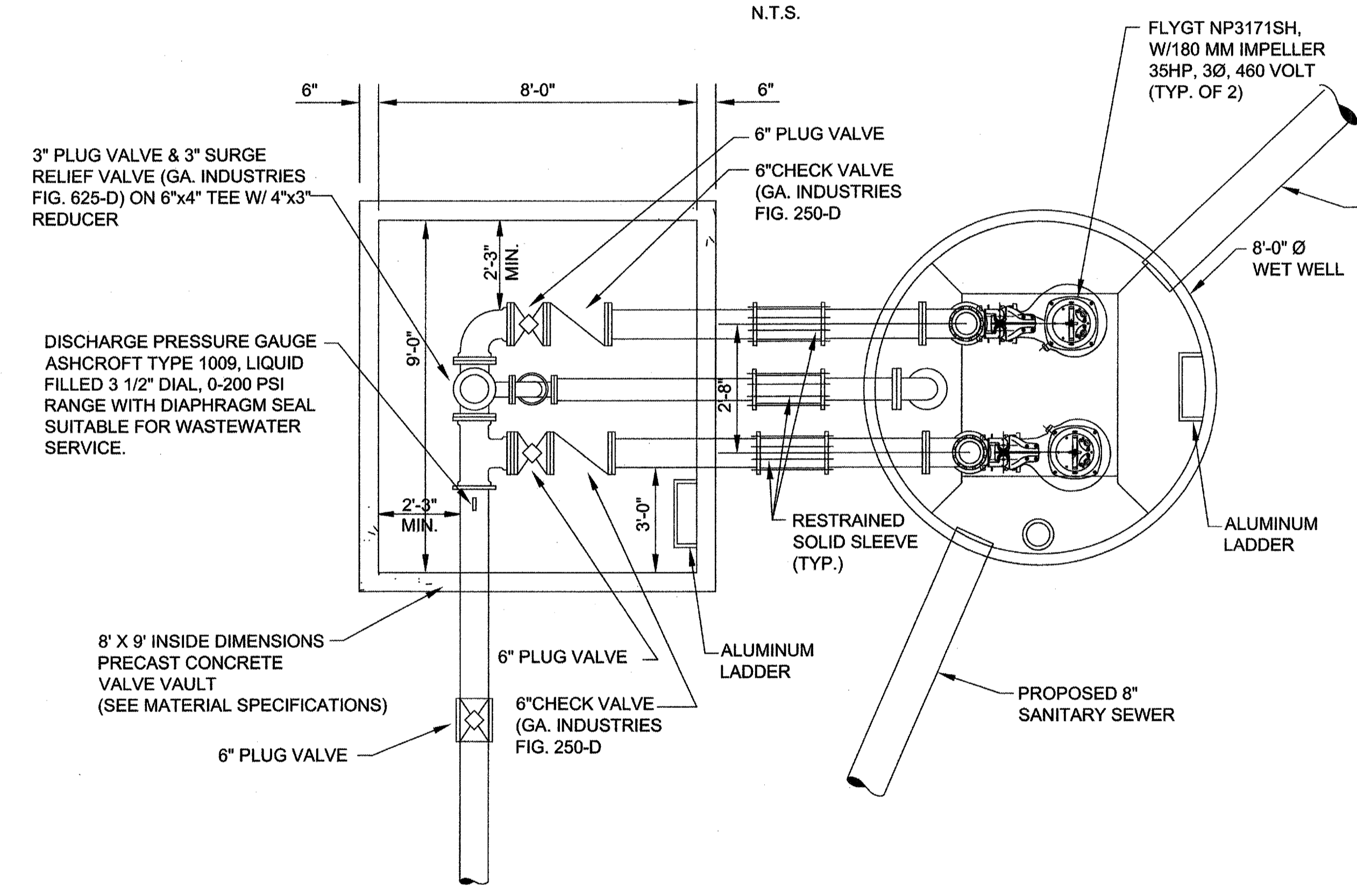
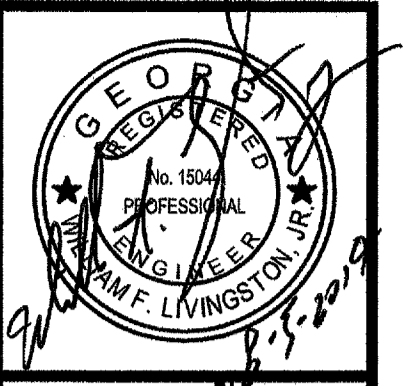


PUMP DATA		ELEVATIONS	
PRIMARY PUMP CAPACITY	335 GPM	TOP OF WETWELL	1002.50
PRIMARY TDH	166 FT	INLET INVERT	986.00
PUMP MANUFACTURER	FLYGT	HIGH LEVEL ALARM (HLA)	985.00
PUMP MODEL #	NP3171SH	2ND PUMP ON (LAG)	984.00
RPM	3520	1ST PUMP ON (LEAD)	982.00
HORSEPOWER	35	PUMPS OFF (OFF)	978.50
ELECTRICAL/VOLTS/PHASE	460/3	BOTTOM OF WETWELL	977.00
PUMP DISCHARGE SIZE	4\"/>		

- NOTES:
1. LOCATE ANCHOR BOLTS PER MFG. SHOP DRAWINGS USING CLEAR INSIDE EDGE OF ACCESS FRAME AND CENTER LINE OF PUMP AS REF. POINT.
  2. GROUT OPENING FOR ACCESS FRAME.
  3. COMPACT BACKFILL IN 8\"/>



NOTE:  
ALL METALS INSIDE THE WET WELL AND VALVE VAULT ARE TO BE STAINLESS STEEL, INCLUDING BRACKETS, NUTS, AND BOLTS.



**ATKINS**  
192 Anderson Street, Suite 150  
Marietta, Ga 30060  
P. 770-422-1902 F. 770-426-5316

DATE	REVISION	COMMENTS
10-14-13	1	CONSA COMMENTS
11-06-13	2	ADDITIONAL CONSA COMMENTS

CHEROKEE COUNTY WATER & SEWERAGE AUTHORITY  
HOLLY SPRINGS  
DOWNTOWN SANITARY SEWER SYSTEM  
MECHANICAL  
PLAN & SECTION

SHEET NO.  
**M-1**