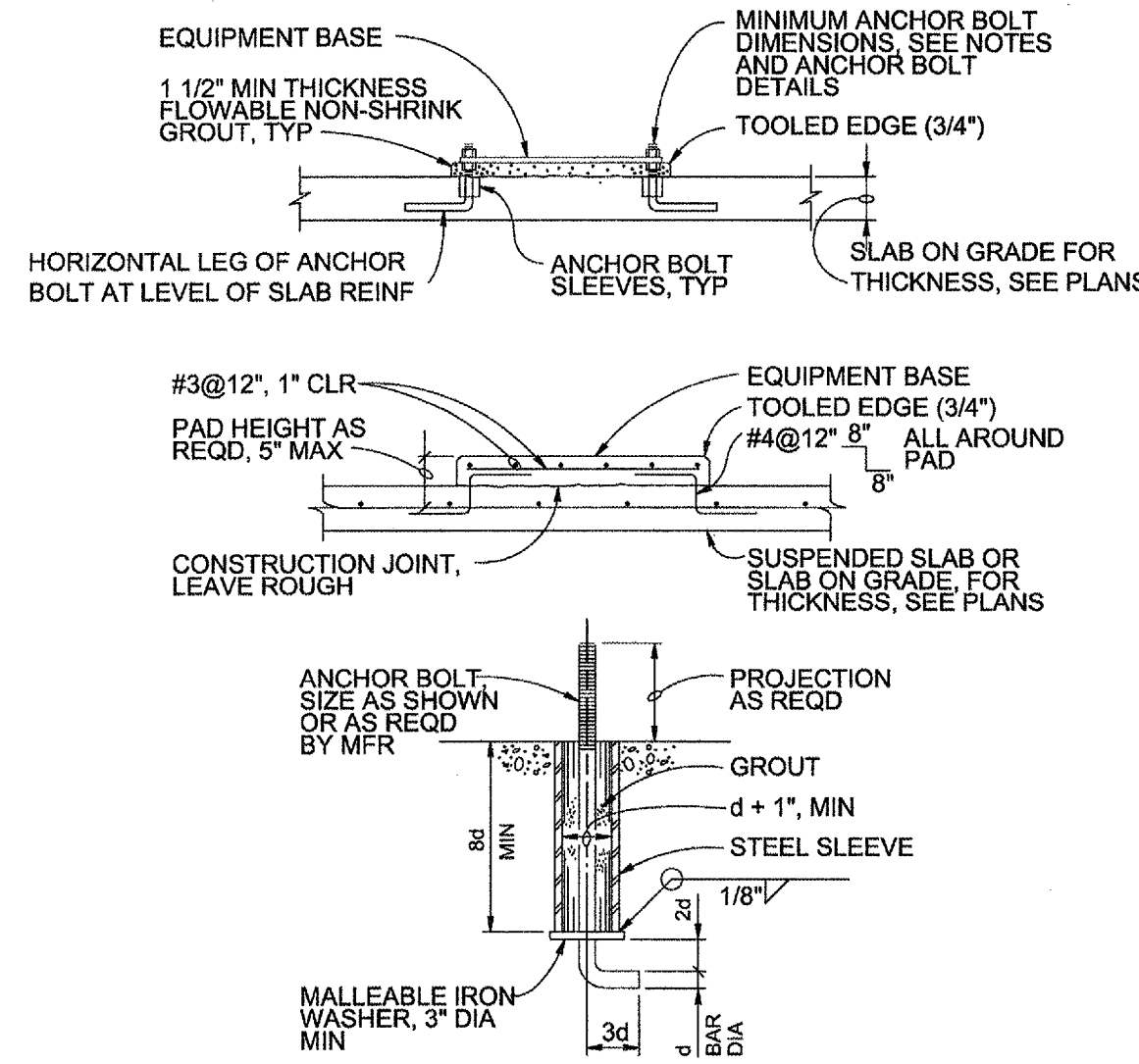


**ATKINS**

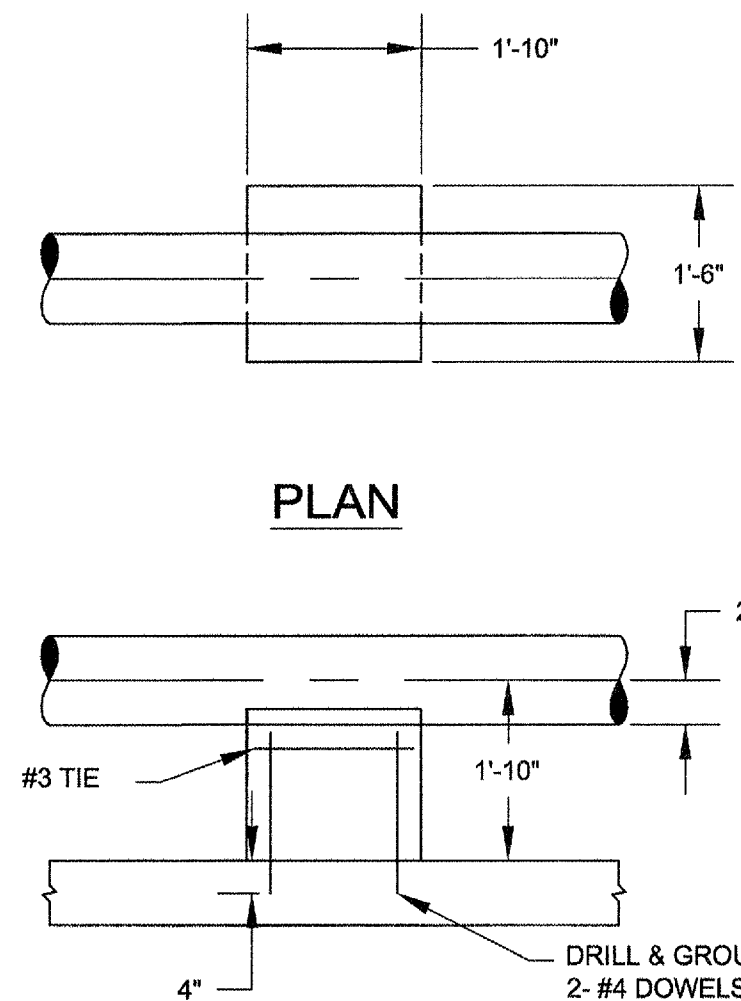
192 Anderson Street, Suite 150  
Marietta, GA 30060  
P: 770-422-1902 F: 770-428-6316



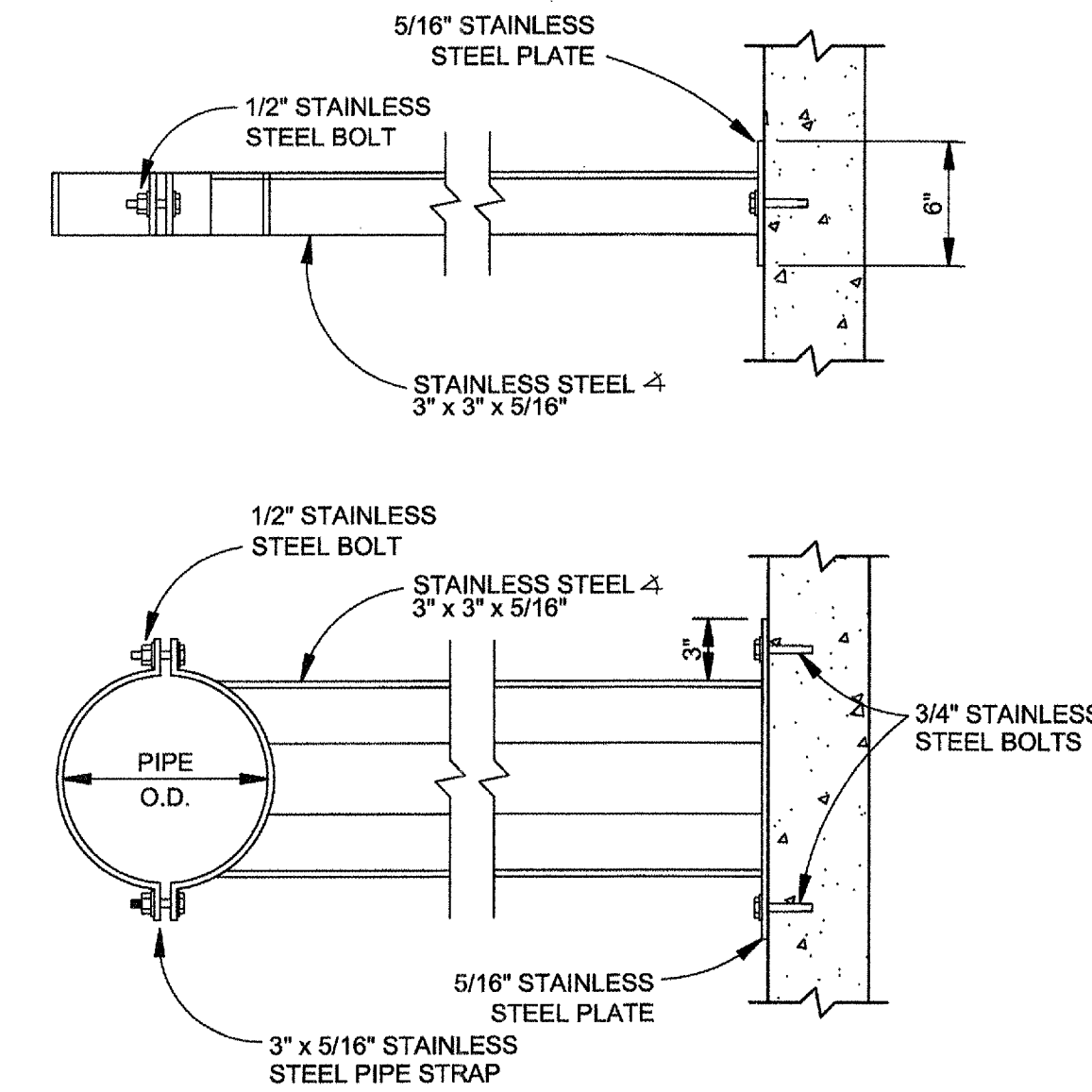
**EQUIPMENT BASE NOTES**

- 1. PAD SIZE SHALL BE MINIMUM INDICATED OR AS SHOWN ON THE PLANS OR AS INDICATED BY THE MANUFACTURER AND APPROVED BY THE ENGINEER...
2. PROJECTION OF THE ANCHOR BOLTS SHALL BE DETERMINED BY THE EQUIPMENT MANUFACTURER...
3. ANCHOR BOLT SLEEVES SHALL HAVE A MINIMUM INTERNAL DIAMETER 1" GREATER THAN BOLT DIAMETER...
4. ALL ANCHORS SHALL BE 316 STAINLESS STEEL.

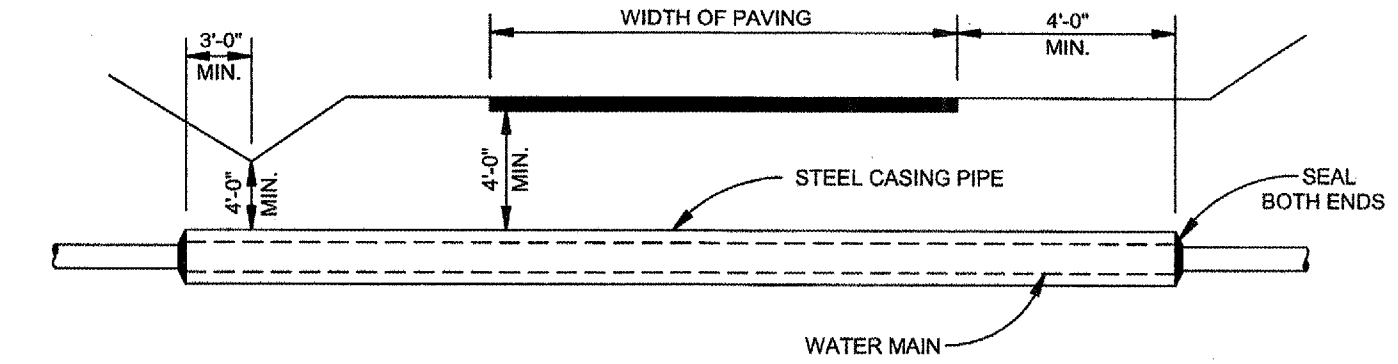
**EQUIPMENT BASE DETAILS**  
NTS



**PIPE SUPPORT DETAIL**  
NTS



**VERTICAL WALL SUPPORT**  
NTS



- NOTES:
1. CASING PIPE SHALL EXTEND A MINIMUM OF 3' BEYOND TOE OF FILL SLOPES OR DITCH LINES AND 4' BEYOND EDGE OF PAVT. AND BACK OF CURB.
2. CARRIER PIPE INSIDE CASING SHALL BE D.I.P.

**TYPICAL ROAD CROSSING**

**DETAIL S739 - PAGE 1 of 4**

**CHEROKEE COUNTY WATER AND SEWERAGE AUTHORITY**  
**SANITARY SEWER SYSTEM CONSTRUCTION**  
**GENERAL NOTES**

- 1. All sanitary sewer system construction must follow the current Cherokee County Water and Sewerage Authority Sanitary Sewer System Standards.
2. For D.I.P. sewer lines, the minimum wall thickness shall be Class 50 and the interior lining shall be Protecto 401 ceramic epoxy.
3. All Polyvinyl Chloride (PVC) sewers 6" to 16" in diameter shall meet the requirements for minimum wall thickness as specified under SDR 35 in ASTM D3034, latest revision.
4. Ductile Iron Pipe is required for sanitary sewer lines.
5. Information regarding underground utilities on these plans is not guaranteed as to accuracy or completeness.
6. All sewer service laterals shall have a minimum diameter of 6" and a minimum grade of 1%.

**DETAIL S739 - PAGE 2 of 4**

- 8. This project is located in Land Lots 342, 343, 379, 413, & 414, in the 15th District of Cherokee County, Georgia.
9. Clearing will be kept to an absolute minimum.
10. Construction activities will be performed in compliance with all applicable laws and regulations.
11. All marketable timber will be salvaged.
12. Contractor is responsible for staking the alignment of the proposed pipeline prior to pipe installation.
13. All excavated dirt shall be placed on the high side of the trench away from any creeks.
14. Any fill dirt over the pipe shall be graded to prevent ponding.
15. The right-of-way or construction easement represents the limits of clearing for the complete job.
16. A copy of the approved construction plans must be kept on the job site at all times that construction is underway.
17. No bury pits are allowed.
18. Topographic ground elevations along all sewer lines, gravity and force mains, are from field-run surveys, not aerial photographs.
19. All easements must be acquired prior to the preconstruction meeting with the Chief Inspector.
20. The Developer/Contractor shall meet with the Chief Inspector at least 24 hours before beginning construction.
21. Sanitary sewer force mains shall be installed so that the top of the pipe is a minimum of four feet below final grade.
22. Type 4 bedding is required at all restrained pipe installations.
23. Contractor must show proof of insurance in the amount specified by the CCWSA.
24. A horizontal separation of at least 10 feet is required between existing or proposed water mains and existing or proposed sanitary sewer lines.
25. A vertical separation of at least 18 inches is required where a sewer line crosses an existing or proposed water main.

**DETAIL S739 - PAGE 3 of 4**

- 26. No portion of this project is being constructed on or near an existing landfill, abandoned landfill, or any other site used for waste disposal.
27. Potable water and sanitary sewer structures are not allowed within a dam.
28. Existing County roads shall not be open cut unless permission is granted by the Cherokee County Department of Public Transportation.
29. Plan approval is valid for 12 months without beginning construction.
30. Record drawings of water and sanitary sewer facilities are required to be submitted to the CCWSA upon completion of the project.
31. If construction plans are stamped for a full project, and then the Developer revises the plans to build the development in phases, no construction or field inspection will be allowed to begin until the revised, phased plans are re-approved and stamped for the phased construction.
32. All streams and protective buffers shall be crossed in accordance with current County and State regulations.
33. Inside of steel casings, pipe joints shall be restrained using Fast-Grip gaskets or approved equal.
34. Safety platforms are required for all manholes that are 18" in depth or more.
35. Concrete footings are required for all manholes that are 16" in depth or more and for all manholes installed in fill material.
36. Sanitary sewers in roadways shall be installed with a minimum of 7" of cover where laterals are located in order to obtain a minimum cover of 5' over the lateral at the R/W limit, or DIP laterals are required.
37. The CCWSA shall not be responsible for any building built too low to be served by the sanitary sewer system.
38. The CCWSA shall not be responsible for any sanitary sewer services covered or buried by construction.
39. Soil adjacent to all manholes located in roadways will be tested for 95% compaction.
40. When transitioning from DIP to PVC, the Contractor must utilize solid sleeves or "Harco" fittings.
41. All angles between "in" lines and "out" lines for manholes shall be labeled. Acute angles (angles < 90 degrees) are not allowed for sewer mains or sewer services.
42. Sewer lines that have slopes greater than 20% shall be DIP and shall be provided with concrete anchors (Detail S716).
43. Manholes located in future streets must be installed to be 48" or higher above grade.

**DETAIL S739 - PAGE 4 of 4**

- 44. Manholes that are located outside of roadways shall be installed to be at least 18" above grade and shall be provided with self-sealing, bolt-down covers.
45. For any new project connecting to an existing manhole, the Contractor shall core and boot the existing manhole at an elevation that is 2 feet or less from the existing invert out.
46. Inside drop manholes shall be 5 feet in diameter and shall be built in accordance with Detail S703.
47. All force mains paralleling water mains shall be encased in green polyethylene tubing so as to identify the force main as sanitary sewer.
48. Inside of developments with curb and gutter, the Contractor shall cut a "S" into the top of the curb above all sanitary sewer service laterals.
49. Locator wire must be installed above all sewer lateral lines.
50. Sanitary sewer cleanouts shall be installed for all service laterals at the edge of the sewer easement or R/W. CCWSA maintenance of laterals ends at the sewer cleanout.
51. Horizontal locations will be referenced to Georgia State Plane Coordinates System (NAD 83 West Zone Feet).
52. Vertical locations will be referenced to North American Vertical Datum (NAVD 88).
53. Orthometric locations will be referenced to GEOID 99/03.
54. No landscaping or structures will be allowed in CCWSA easements.

CHEROKEE COUNTY WATER & SEWERAGE AUTHORITY  
HOLLY SPRINGS  
DOWNTOWN SANITARY SEWER SYSTEM

**SEWER DETAILS**

SHEET NO.  
**D-05**