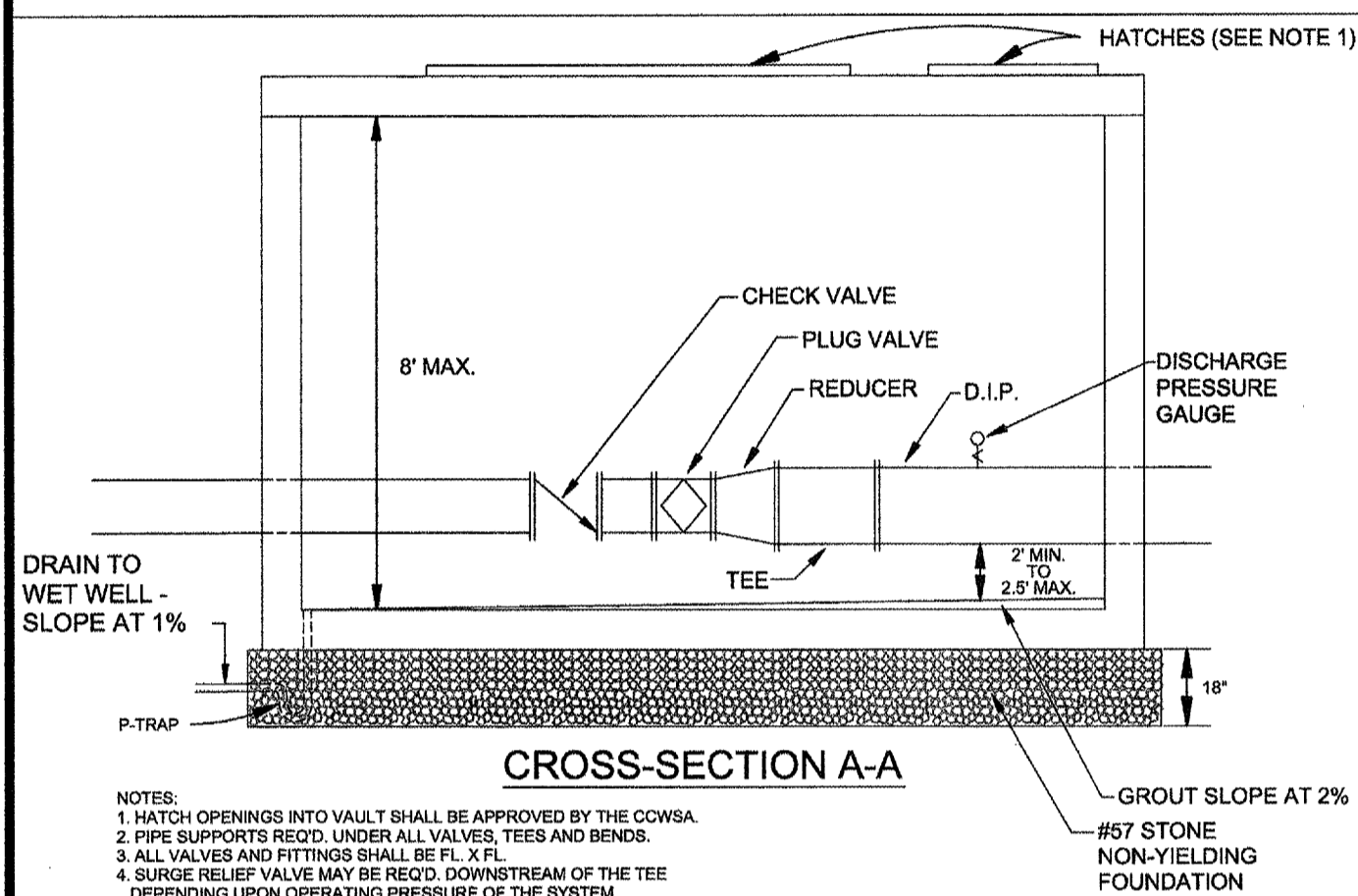
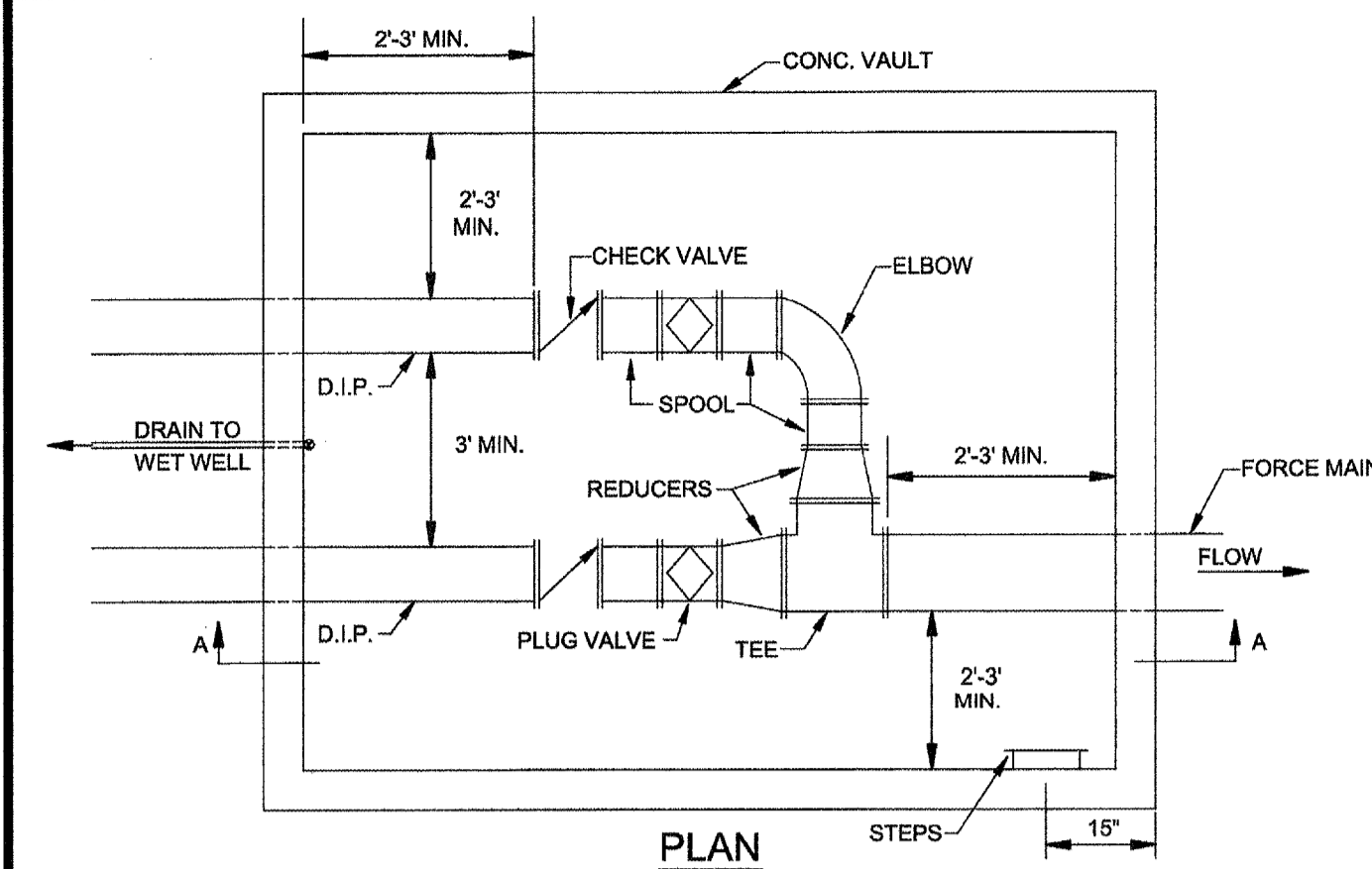
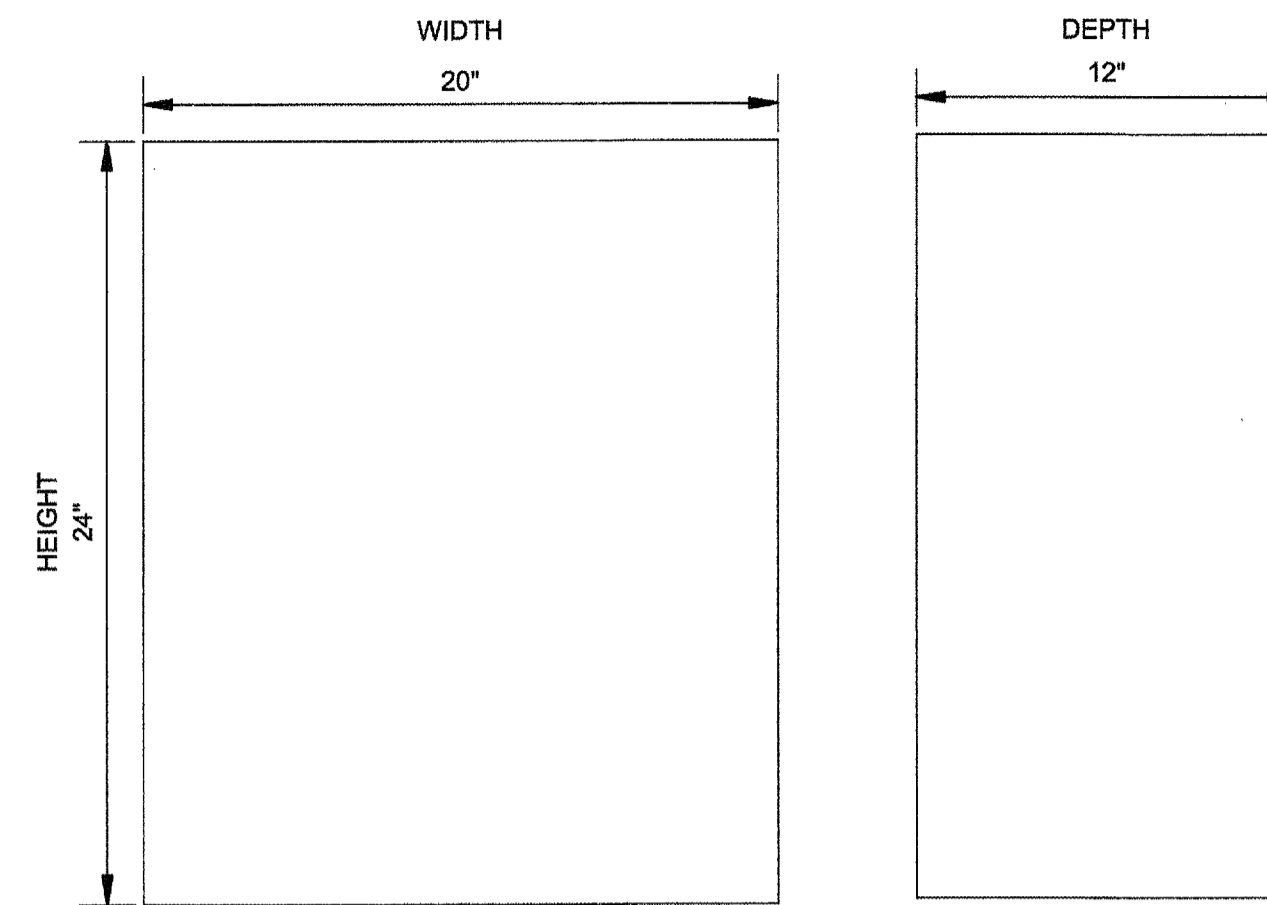


BOLLARD DETAIL
NTS



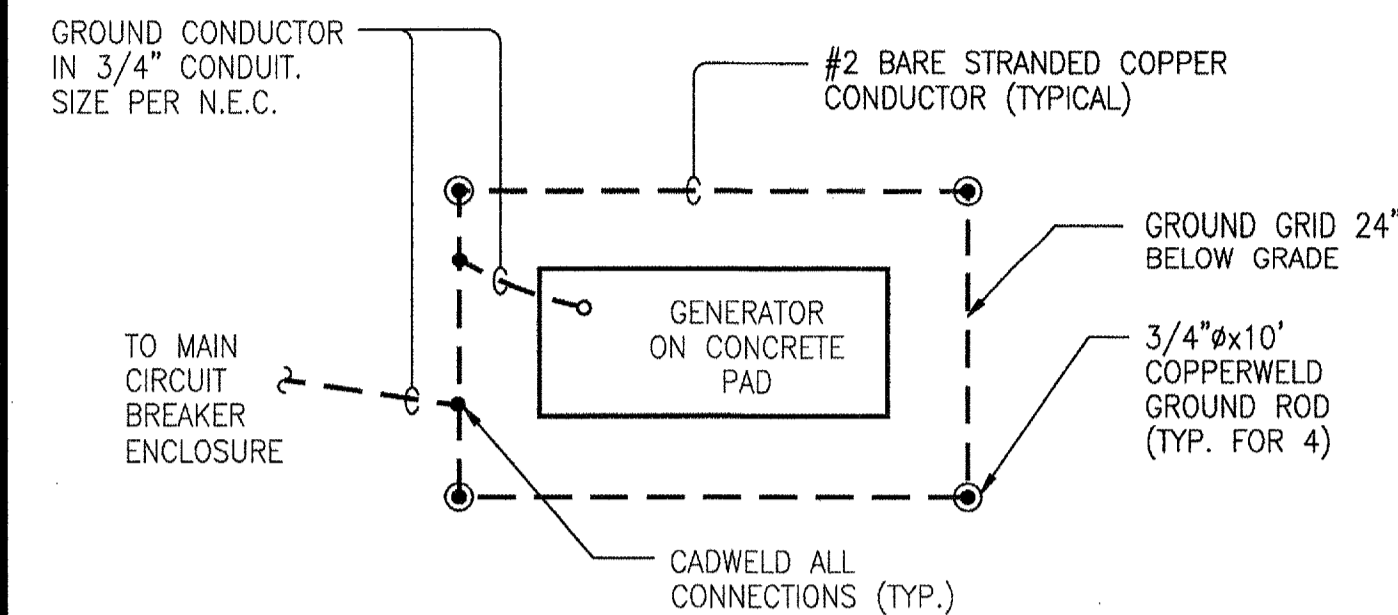
NOTES:
1. HATCH OPENINGS INTO VAULT SHALL BE APPROVED BY THE COWSA.
2. PIPE SUPPORTS REQ'D. UNDER ALL VALVES, TEES AND BENDS.
3. ALL VALVES AND FITTINGS SHALL BE FL. X FL.
4. SURGE RELIEF VALVE MAY BE REQ'D. DOWNSTREAM OF THE TEE DEPENDING UPON OPERATING PRESSURE OF THE SYSTEM.

LIFT STATION VALVE PIT DETAIL
NTS

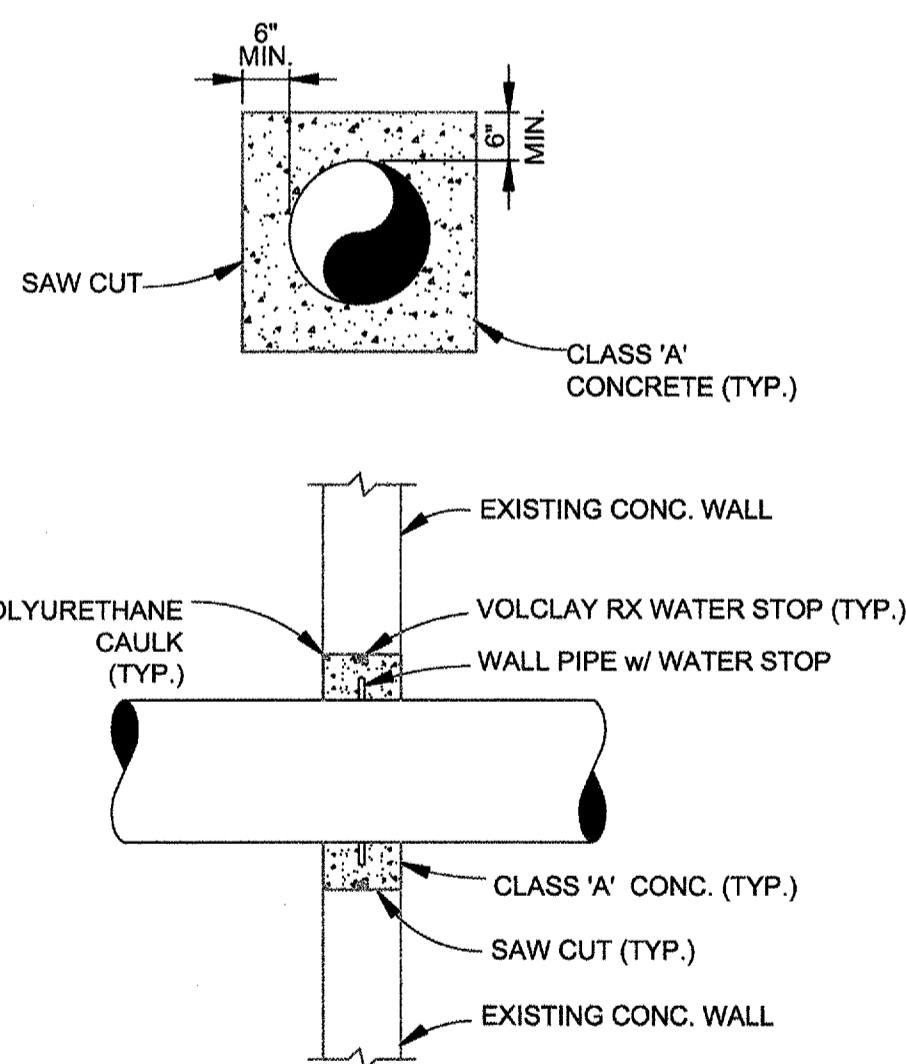


ROOM NEEDED IN CONTROL PANEL FOR SCADA

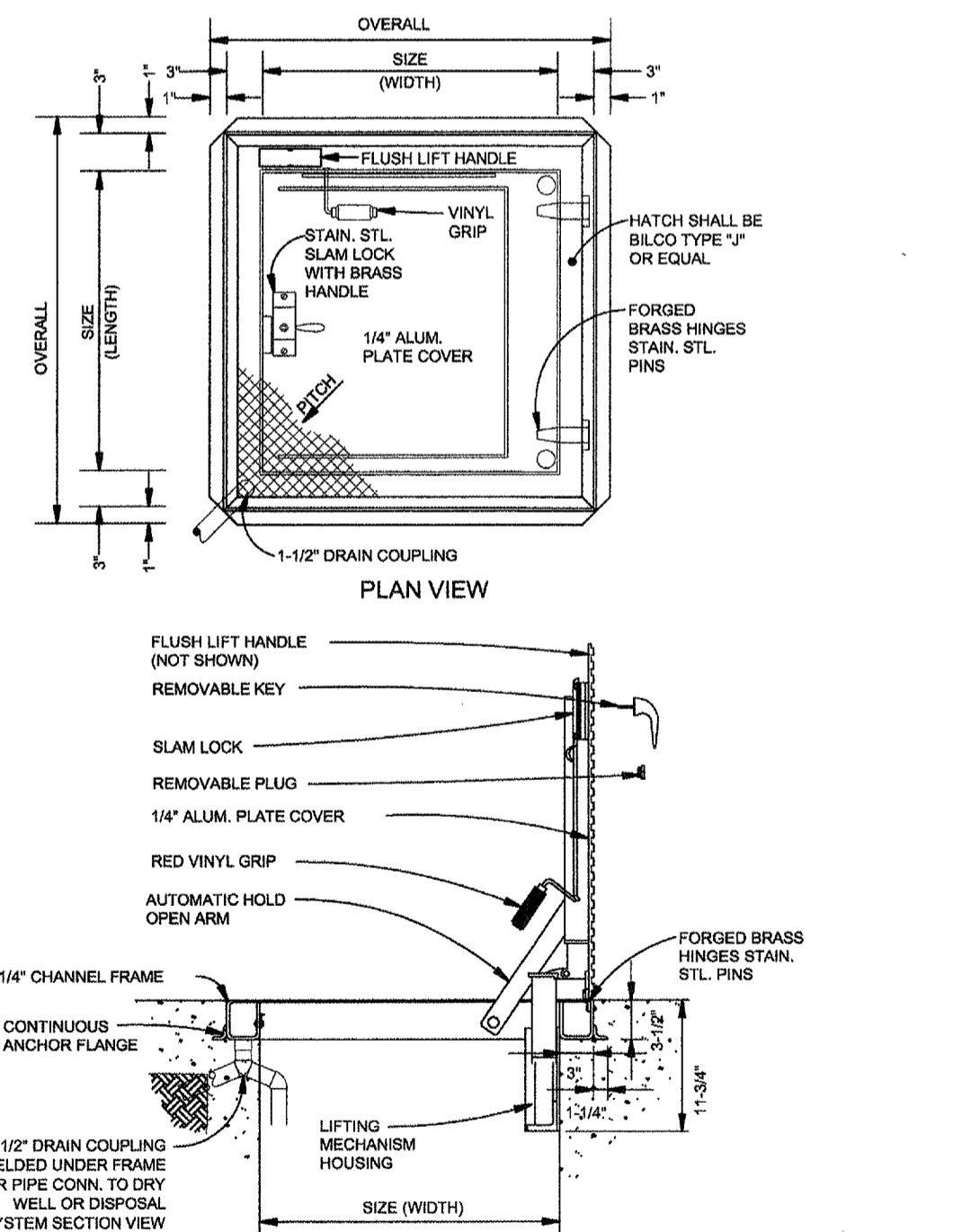
SCADA RTU PANEL



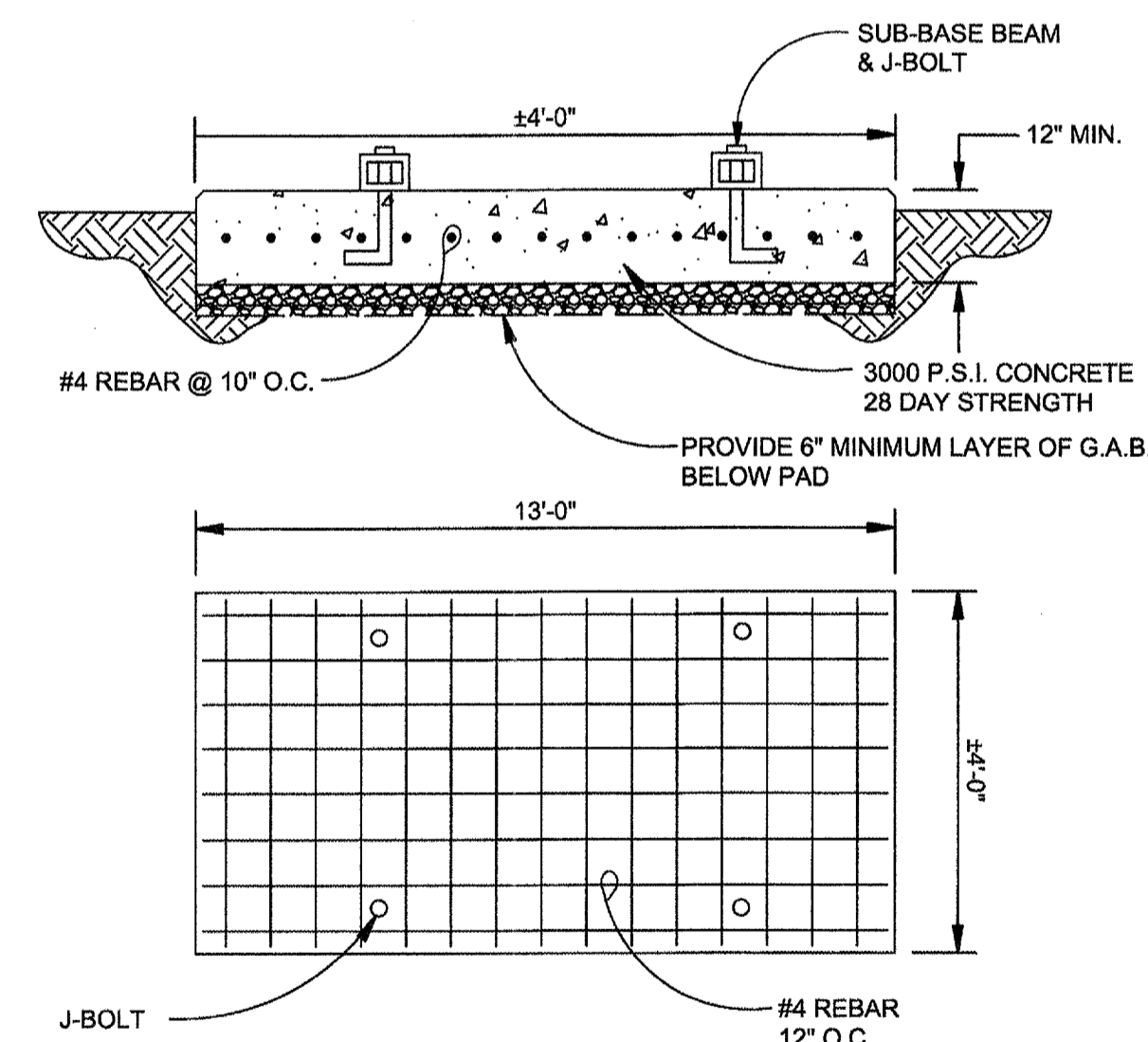
LIFT STATION GENERATOR GROUNDING DETAIL
NTS



TYPICAL WALL PENETRATION
NTS



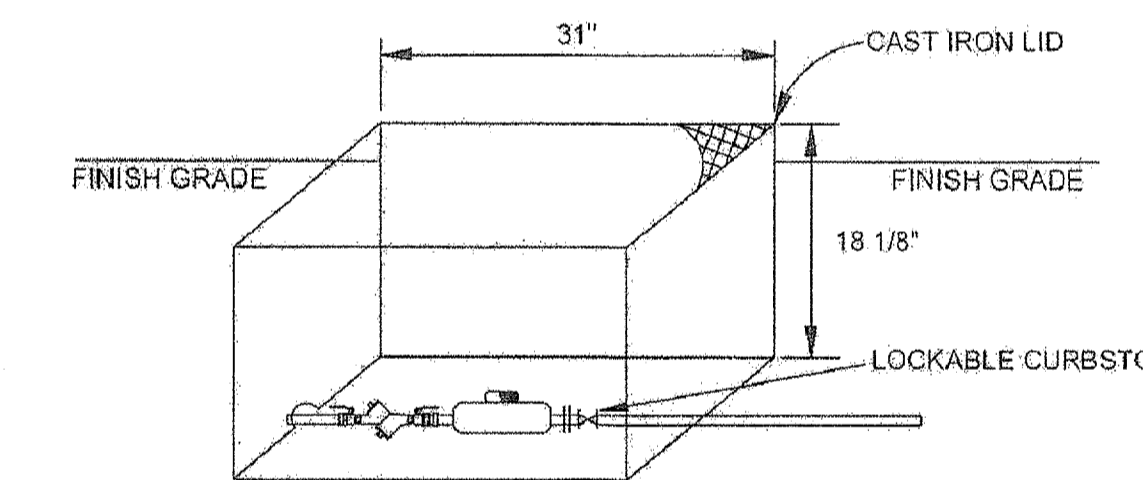
ALUMINUM HATCH
NTS



NOTES:

1. REVIEW DIMENSIONS OF GEN. SET, INCLUDING W.P. HOUSING, TO DETERMINE ACTUAL DIMENSIONS OF GEN. PAD.
2. THE PAD SHALL BE 0-6" LARGER ON ALL SIDES THAN THE GENERATOR BASE AND ENCLOSURE.
3. CONTRACTOR SHALL STUB UP CONDUITS TO MATCH GENERATOR HOUSING PENETRATIONS.
4. ANCHORS SHALL BE 316 STAINLESS STEEL.

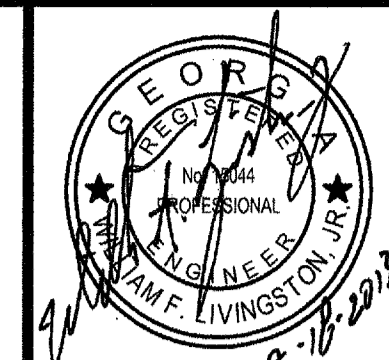
GENERATOR PAD
NTS



Notes:

- 1.) If Meter Box is located in driveway or sidewalk, Meter Box and lid shall be traffic rated.
- 2.) Easement is required for Meter Box located outside of Right of Way.
- 3.) Meter Box shall be supported with compacted soil, gravel, etc. to keep top of box from settling below finished grade. Bricks can be used but shall not be placed on top of water lines.
- 4.) Jumbo boxes are to be used with meters larger than 1" and smaller than 3", (1.5" and 2" meter)
- 5.) A two bolt flange is required for the connection of these size meters.
- 6.) All meters larger than 3/4" must have a lockable curbstop.
- 7.) Meter Box: Sigma (MBX-5A) or equal acceptable by the Authority.

STANDARD JUMBO CAST IRON METER BOX
NTS



ATKINS

192 Anderson Street, Suite 150
Marietta, Ga 30060
P: 770-422-1902 F: 770-426-5316

DATE	REVISION

PROJ. NO.:	100034005
DESIGNED BY:	W.F.L.
DRAWN BY:	M.R.T.
CHECKED BY:	W.F.L.
APPROVED BY:	W.F.L.
DATE:	AUGUST, 2013
SCALE:	NTS

CHEROKEE COUNTY WATER & SEWERAGE AUTHORITY
HOLLY SPRINGS
DOWNTOWN SANITARY SEWER SYSTEM

SEWER DETAILS

SHEET NO.
D-04