


P.C. Simonton & Associates, Inc.
Consulting Engineers

309 North Main Street
Post Office Box 649
Hinesville, Georgia 31310

1050 Parkside Commons
Suite 101
Greensboro, Georgia 30642

Pre-Bid Meeting Minutes
Hinesville/Fort Stewart WWTP Modifications
For the City of Hinesville
PCS #2009-63 

November 5, 2014, 2:00 p.m.

Location: Hinesville/Ft. Stewart WWTP, 629 Hero Rd., Bldg. 5000, Ft. Stewart

Attendees: See attached sign-in sheet.

Initial Items Discussed:

- (1). Sign-in sheet was reviewed with contacts established and email address for point of contact established.
- (2). Reviewed City purchased equipment list.
- (3). Noted that no as-builts were available, but structural drawings of structures to be demolished from original project would be provided.
- (4). Discussed onsite reuse and future reuse project.
- (5). Explained that repairs to clarifiers that the Contractor is responsible for would include damage caused by equipment removal and superficial cracks. No structural repairs, unless caused by removal or equipment will be required.
- (6). Reviewed equipment to be moved. Researching if chemical treatment may be required during relocation of UV.
- (7). Discussed MWBE requirements. Forms will be included in Addendum No. 1.
- (8). Discussed extension of bid date and allowing demo after new plant startup as time add-on.
- (9). P.C. Simonton & Associates will determine sludge quantity that will be the responsibility of the Contractor. Established Contractor will be responsible for dewatering and disposal of digester contents.
- (10). P.C. Simonton & Associates will provide value of City purchased equipment. The Contractor will insure equipment during construction. Value: \$3,776,423.10

- (11). The bid price will not include value of City purchased equipment.
- (12). The Contractor will obtain a Building Permit from Liberty County free of charge.
- (13). Do polymer concrete manholes come with boots and inverts? The SRPC structures do come with boots, not sure of inverts yet.
- (14). The Owner will pay GA Power directly for new service to the site.
- (15). The Contractor must provide his own power for the project. Once startup begins, the power will be transferred to the City.
- (16). Treated wastewater will be used for task testing. The Contractor will be responsible for pumping from the discharge rate the test tasks.

Unresolved Issues:

- (1). Quantity of digester contents to be removed. Bid item added for all over base.
- (2). Establish new bid date and time for demolition.

Pre-Bid Sign-In

Job Name: Hinesville/Fort Stewart WWTP Modifications

Job No.: 2009-63

Pre-Bid Date: 5-Nov-14

Time: 2:00 p.m.

Location of Meeting: Wastewater Treatment Plant, 629 Hero Rd., Bldg. 5000, Fort Stewart, GA

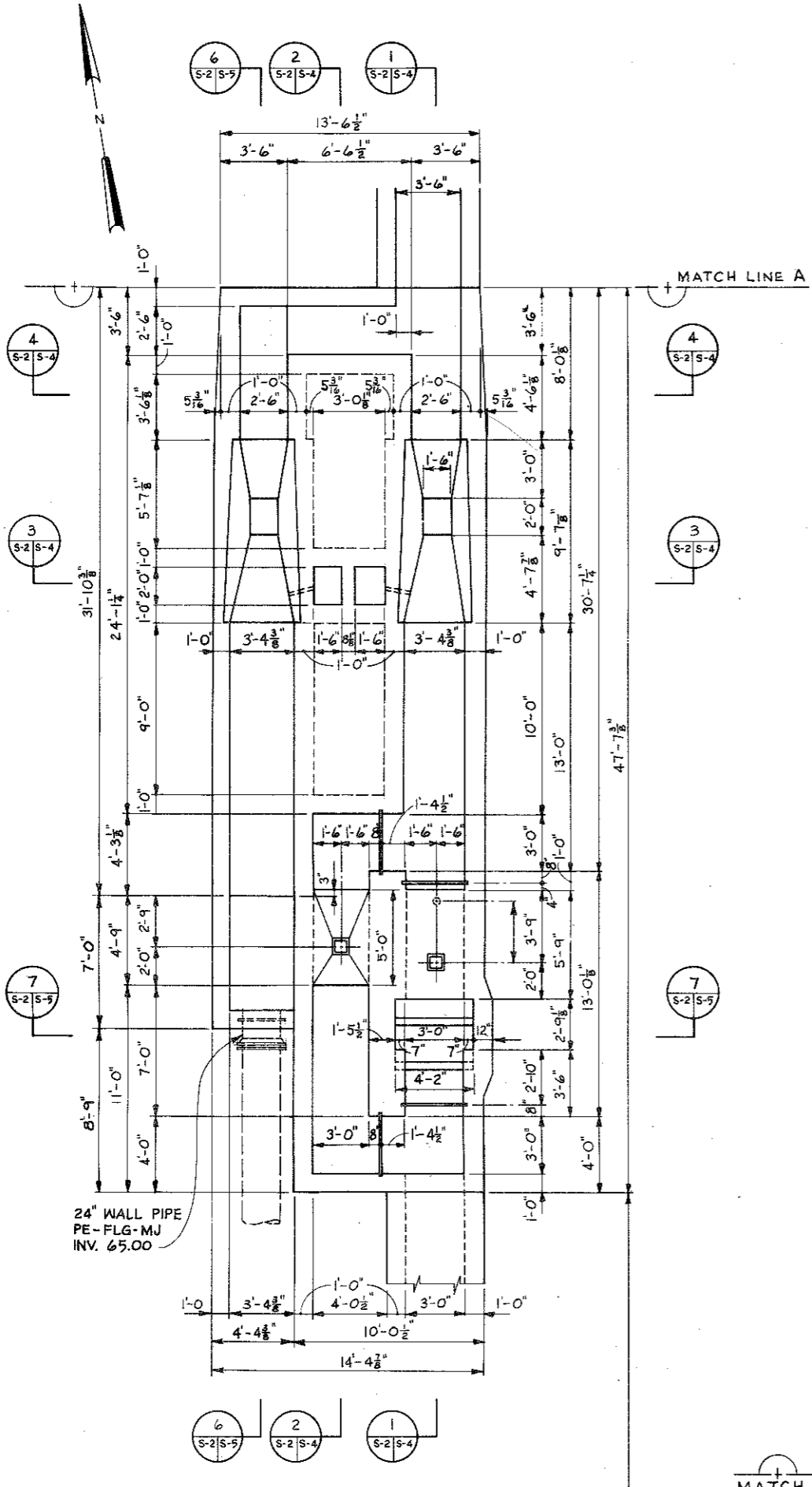
Name, Organization & Contact Number:

- RKATZ@SouthEastInc.com
- 1 Richard KATZ - SIEDER 786-566-2000
 - *2 Kevia Gloria Adams Robinson ARLO@AdamsRobinson.com
 - *3 SAM WEBBER WHARTON SMITH ENVESTIMATING@WHARTONSMITHTEL.com
 - 4 Donnie Beloit WPC Industrial dbeloit@wpcind.com
 - *5 Eddie Ney " eney@wpcind.com
 - 6 Jeanette Saliba " jsaliba@wpcind.com
 - 7 Phillip Starr " pstarr@wpcind.com
 - *8 LAUREN ATWELL PETTICOAT SCHMITT latwell@petticoatschmitt.com
 - 9 JOE FISHER " jfisher@petticoatschmitt.com
 - 10 JOHN CHASE " jchase@petticoatschmitt.com
 - 11 RRET SOVINE SPECTRASHIELD RSOVINE@CETI SPECTRUM.COM
 - *12 TRACY MARTELL BBTE TMARTELL@BBTUS.COM
 - *13 STEVEN L FEARLEY BRW construction STEVE@BRWCONSTRUCTION.COM
 - *14 Matt Deal Southern Champion Construction mdeal@southernchamp.com
 - 15 JEFF MARSHALL Balkous Beatty jmarshall@BBTUS.COM
 - *16 LARRY KELLER RTD Construction bids@rtdconstruction.com
 - *17 RANDY GIBBS H.C. COLEMAN & CO, INC RMOU@HCCOLEMANCO.COM
 - 18 David Prater VOS Electric DPrater@voselectric.com
 - 19 Tad Dillon VOS Electric TDillon@voselectric.com
 - 20 CHAD WALKER COBURN ELECTRIC CWALKER@COBURNBROS.COM
 - 21 TODD GILBERT COBURN BROS tgilbert@coburnbros.com
 - *22 Josh Moon P.F. Moon & Co josh@pmoon.com bidding@pmoon.com
 - 23 DPW Env 912-767-4937
 - 24 Veronica Frazer DPW Env 912-767-2400

RONALD GROVE

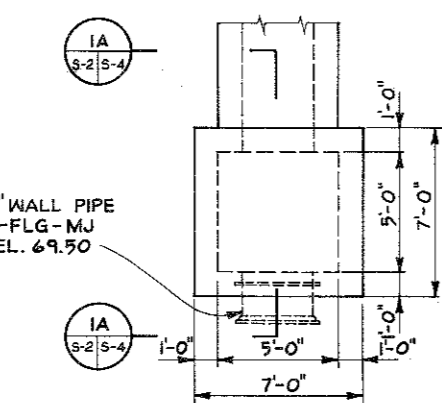
RUBY-COLLINS, INC.

rgrove @ ruby-collins.com



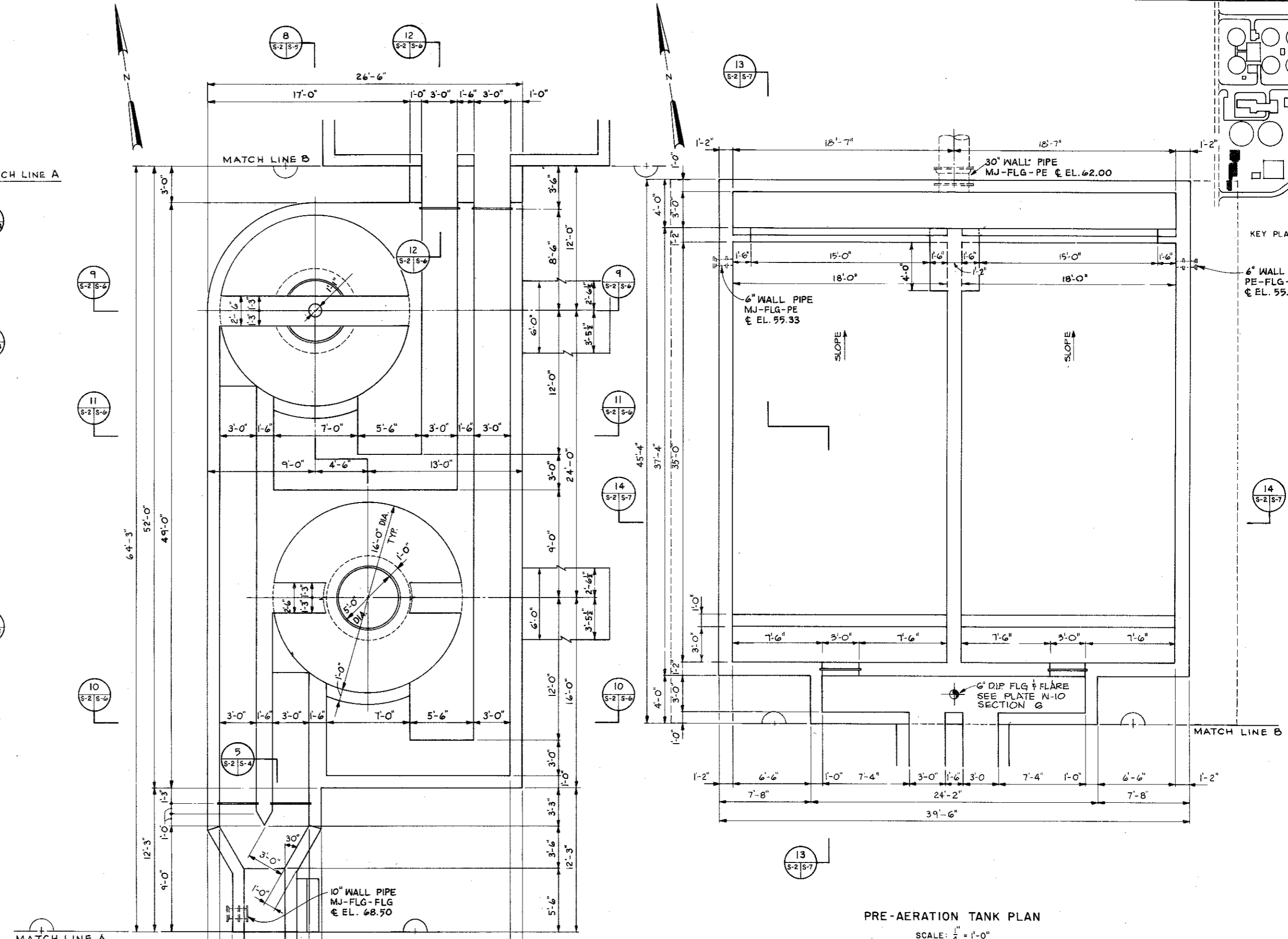
SCREENING & METERING PLAN

SCALE: 1/4" = 1'-0"



INFLUENT BOX

SCALE: 1/4" = 1'-0"

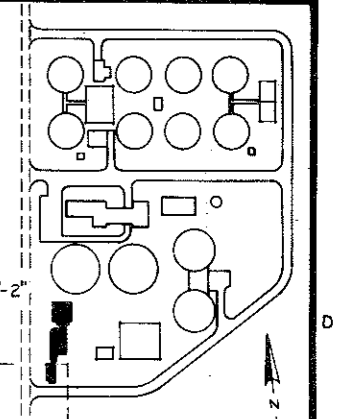


PRE-AERATION TANK PLAN

SCALE: 1/4" = 1'-0"

GRIT CHAMBER PLAN

SCALE: 1/4" = 1'-0"

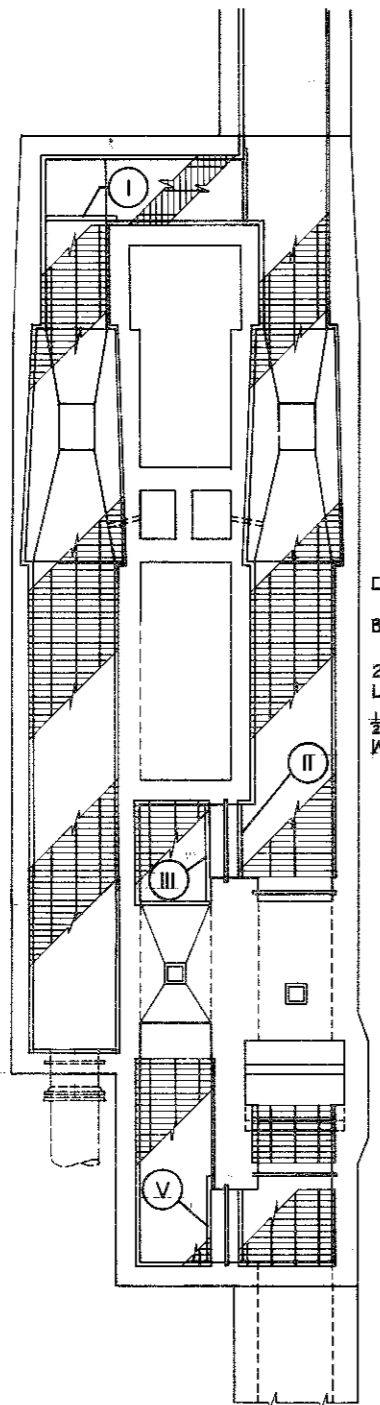
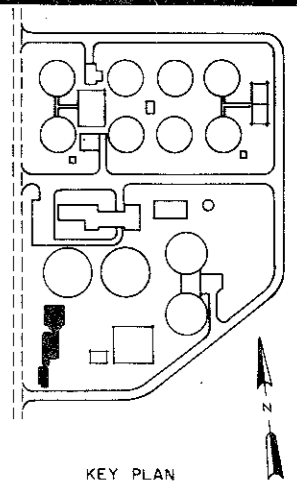
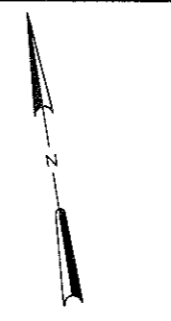
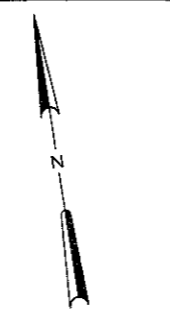
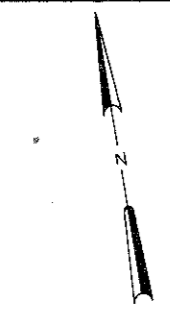


KEY PLAN

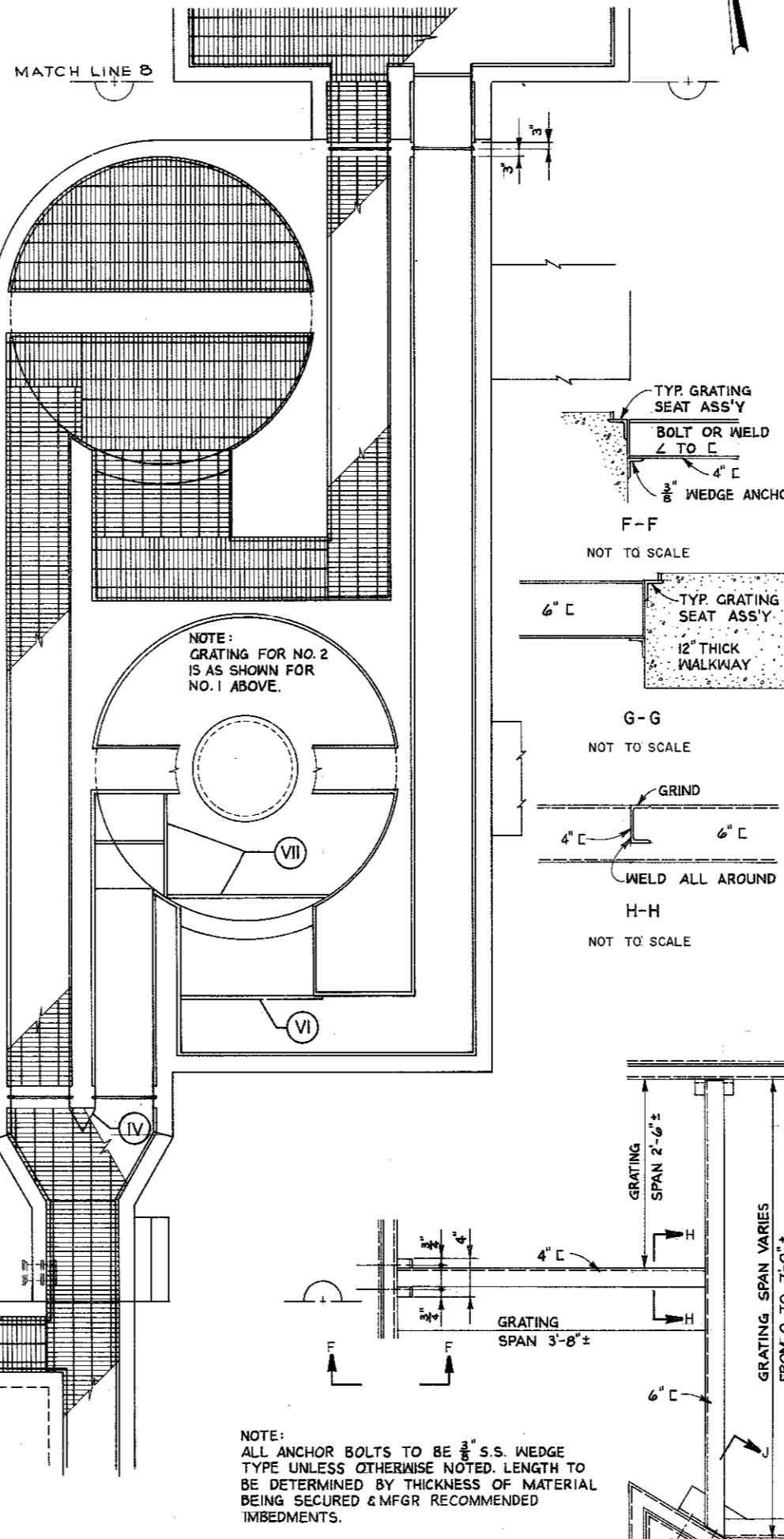
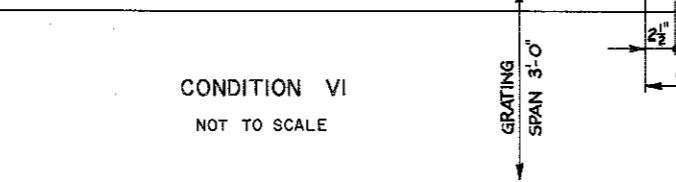
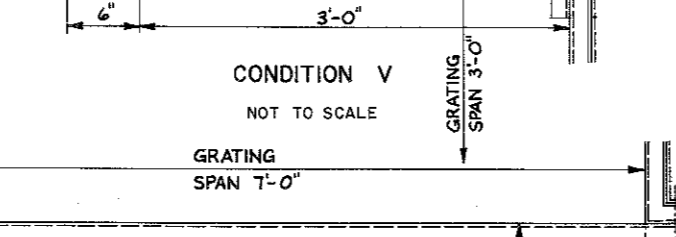
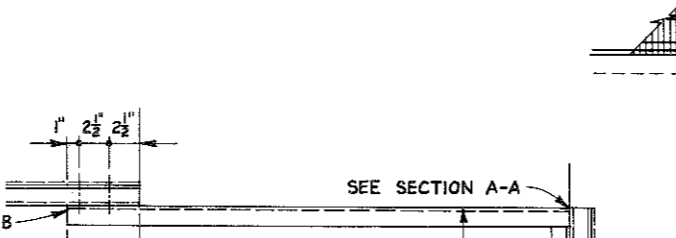
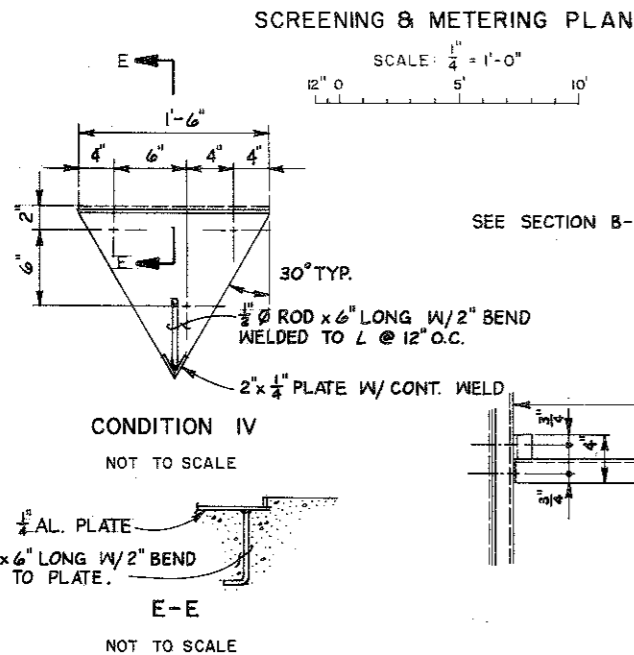
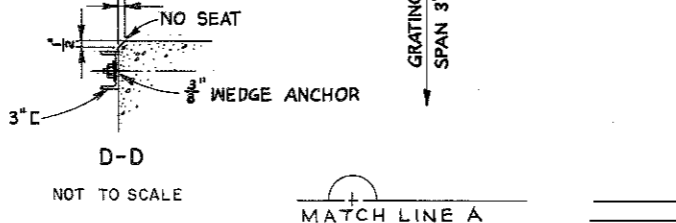
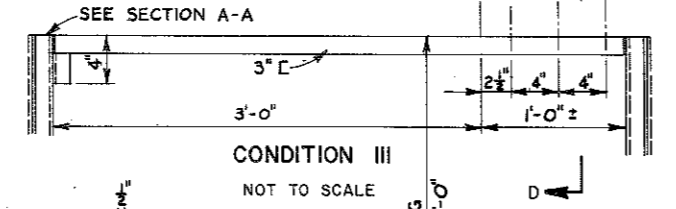
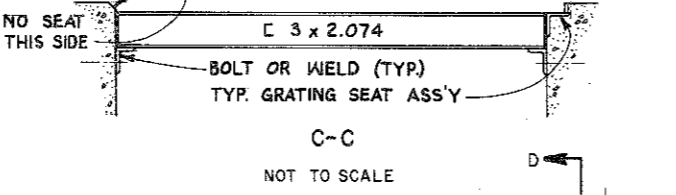
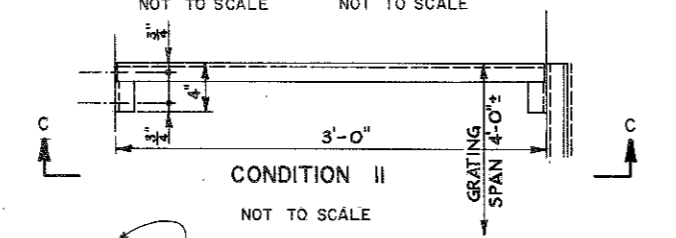
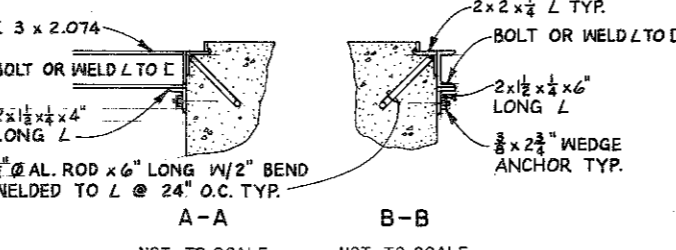
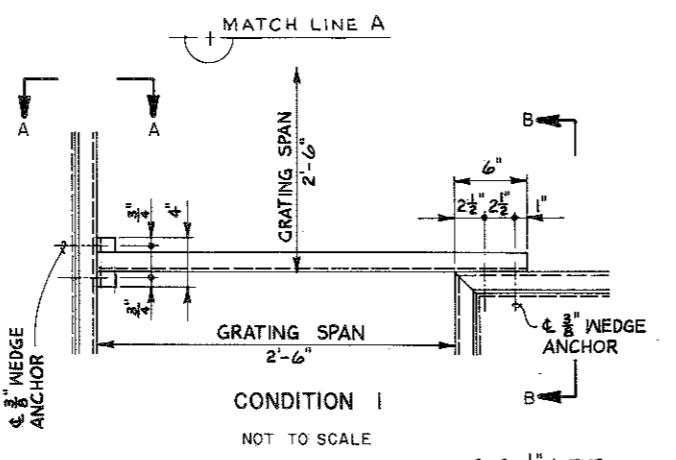
6" WALL PIPE PE-FLG-MJ
EL. 55.33

14
5-215-7

RUSSELL & AXON ENGINEERS-PLANNERS-ARCHITECTS DAYTONA BEACH, FLORIDA		U.S. ARMY ENGINEER DISTRICT, SAVANNAH CORPS OF ENGINEERS SAVANNAH, GEORGIA	
REGIONAL SEWAGE FACILITIES			
HEADWORKS - PLANS			GEORGIA
SIZE	INVITATION NO.	DRAWING NO.	PLATE
F	DACA-21-83-B-0056	832-40-01	S-2
SYMBOL		DESCRIPTION	DATE
ZONE		REVISIONS	BY
SCALE: AS NOTED		SHEET 63	

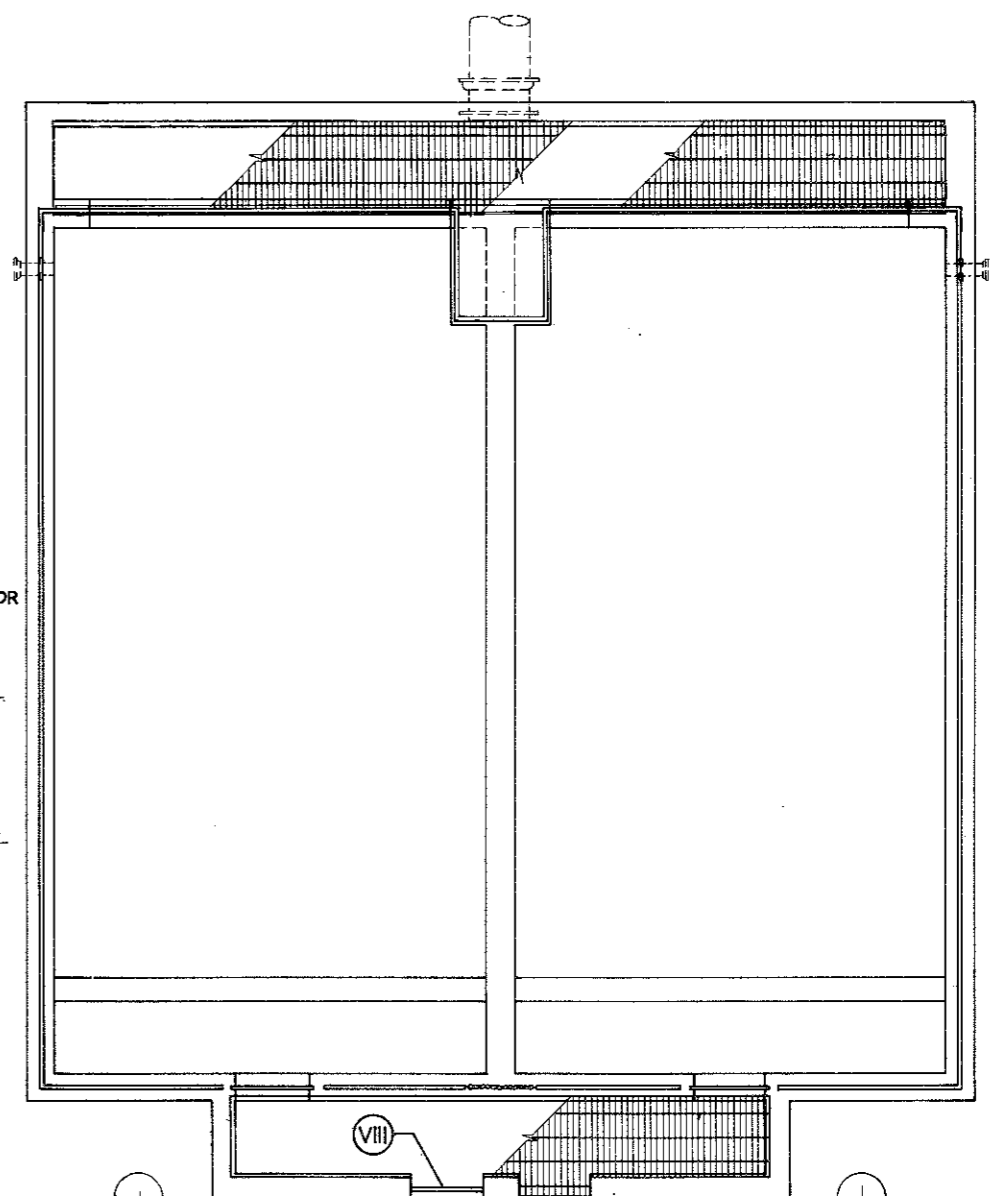
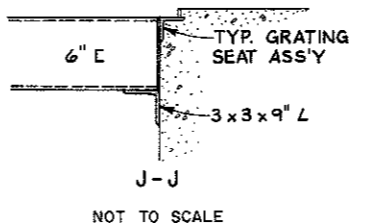
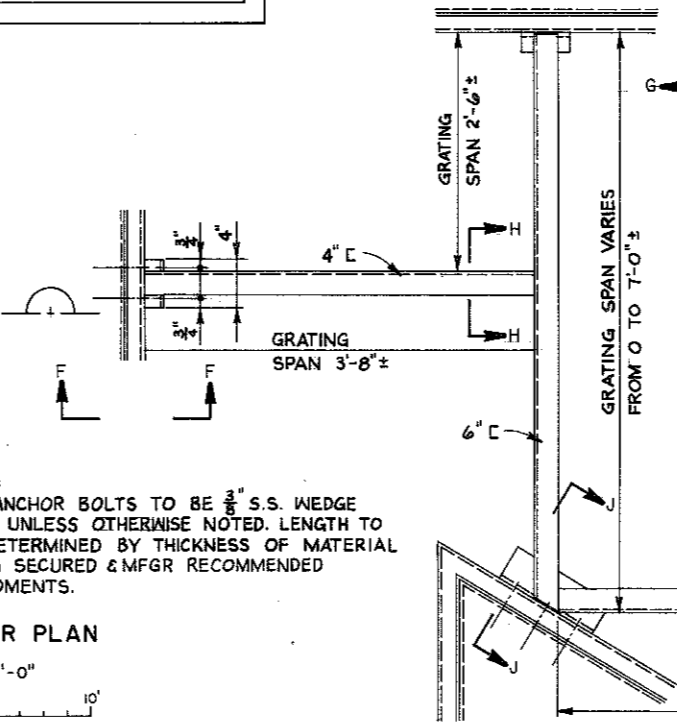
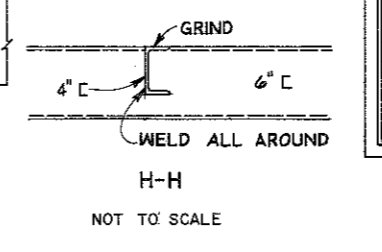
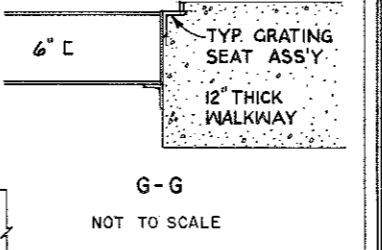
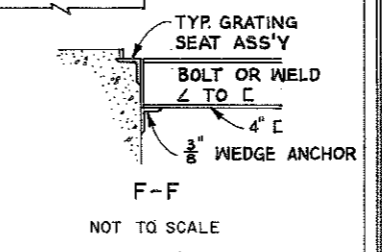


NOTE: WHERE THERE IS NO TYP. GRATING SEAT ASS'Y PROVIDE CHAMFER TO PREVENT CHIPPING & SPALLING OF CONC. DURING PLACEMENT OR REMOVAL OF GRATING.

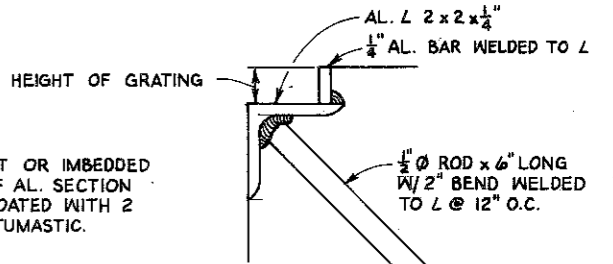


GRIT CHAMBER PLAN
SCALE: 1/4" = 1'-0"

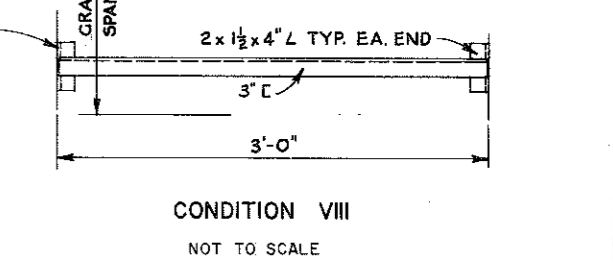
NOTE: ALL ANCHOR BOLTS TO BE 3/8" S.S. WEDGE TYPE UNLESS OTHERWISE NOTED. LENGTH TO BE DETERMINED BY THICKNESS OF MATERIAL BEING SECURED & MFGR RECOMMENDED IMBEDMENTS.



PRE-AERATION TANK PLAN
SCALE: 1/4" = 1'-0"



TYPICAL GRATING SEAT ASSEMBLY (THROUGHOUT PROJECT)
NOT TO SCALE



CONDITION VIII
NOT TO SCALE

NOTE: ALL GRATING, SEATS & FRAMING TO BE ALUMINUM. ALL FASTENERS TO BE STAINLESS STEEL.

SYMBOL	ZONE	DESCRIPTION	DATE	BY

RUSSELL & AXON ENGINEERS-PLANNERS-ARCHITECTS INCORPORATED DAYTONA BEACH, FLORIDA

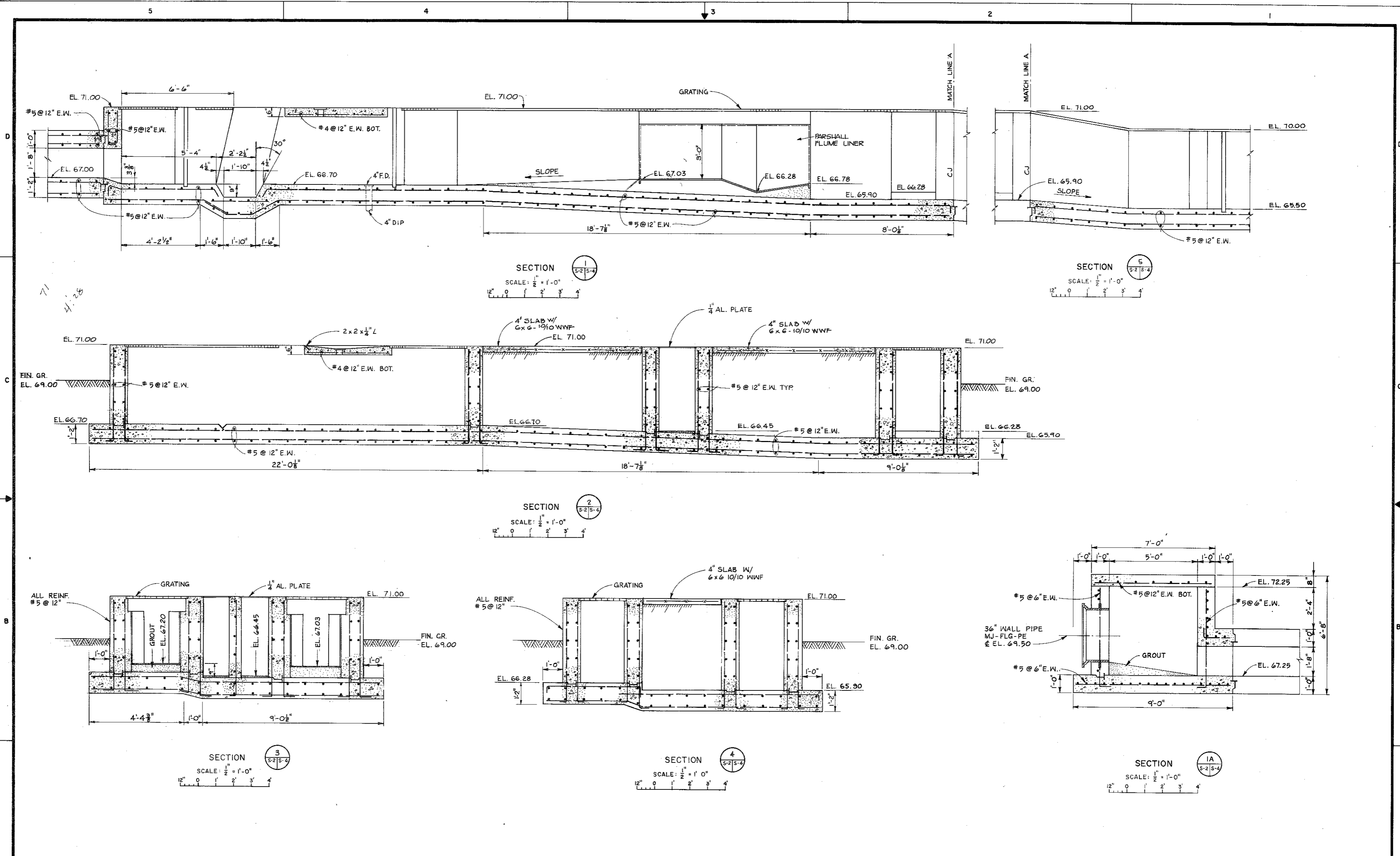
U.S. ARMY ENGINEER DISTRICT, SAVANNAH CORPS OF ENGINEERS SAVANNAH, GEORGIA

REGIONAL SEWAGE FACILITIES HEADWORKS - GRATING & HANDRAIL PLAN

HINESVILLE / FT STEWART GEORGIA

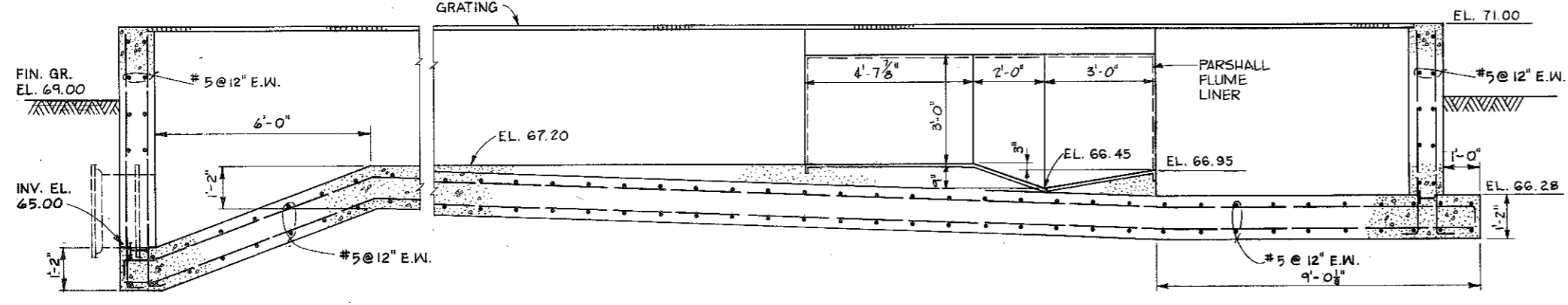
SIZE	INVIATION NO	DRAWING NO	PLATE
F	DACI-21-83-B-0056	832-40-01	S-3

SCALE: AS NOTED SHEET 84

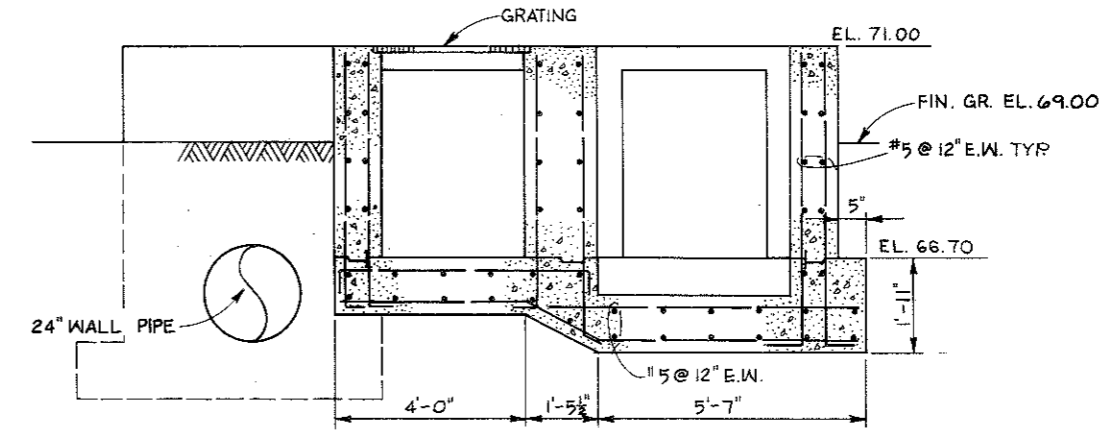


RUSSELL & AXON ENGINEERS - PLANNERS - ARCHITECTS INCORPORATED DAYTONA BEACH, FLORIDA		U. S. ARMY ENGINEER DISTRICT, SAVANNAH CORPS OF ENGINEERS SAVANNAH, GEORGIA	
REGIONAL SEWAGE FACILITIES			
HEADWORKS - SECTIONS			
HINESVILLE / FT. STEWART		GEORGIA	
SIZE F	INVITATION NO. DACR-21-83-9-0056	DRAWING NO. 832-40-01	PLATE S-4
SCALE: AS NOTED			
SHEET 65			

SYMBOL	ZONE	DESCRIPTION	DATE	BY

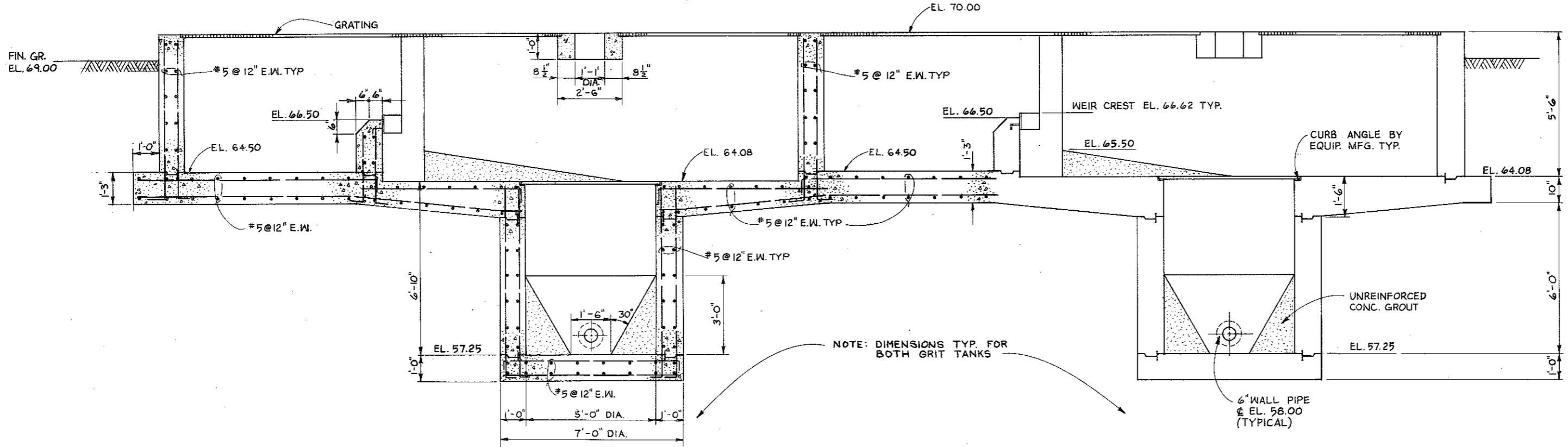


SECTION 6
SCALE: 1/2" = 1'-0"
12' 0' 1' 2' 3' 4'



SECTION 7
SCALE: 1/2" = 1'-0"
12' 0' 1' 2' 3' 4'

67.70
66.28
1.48

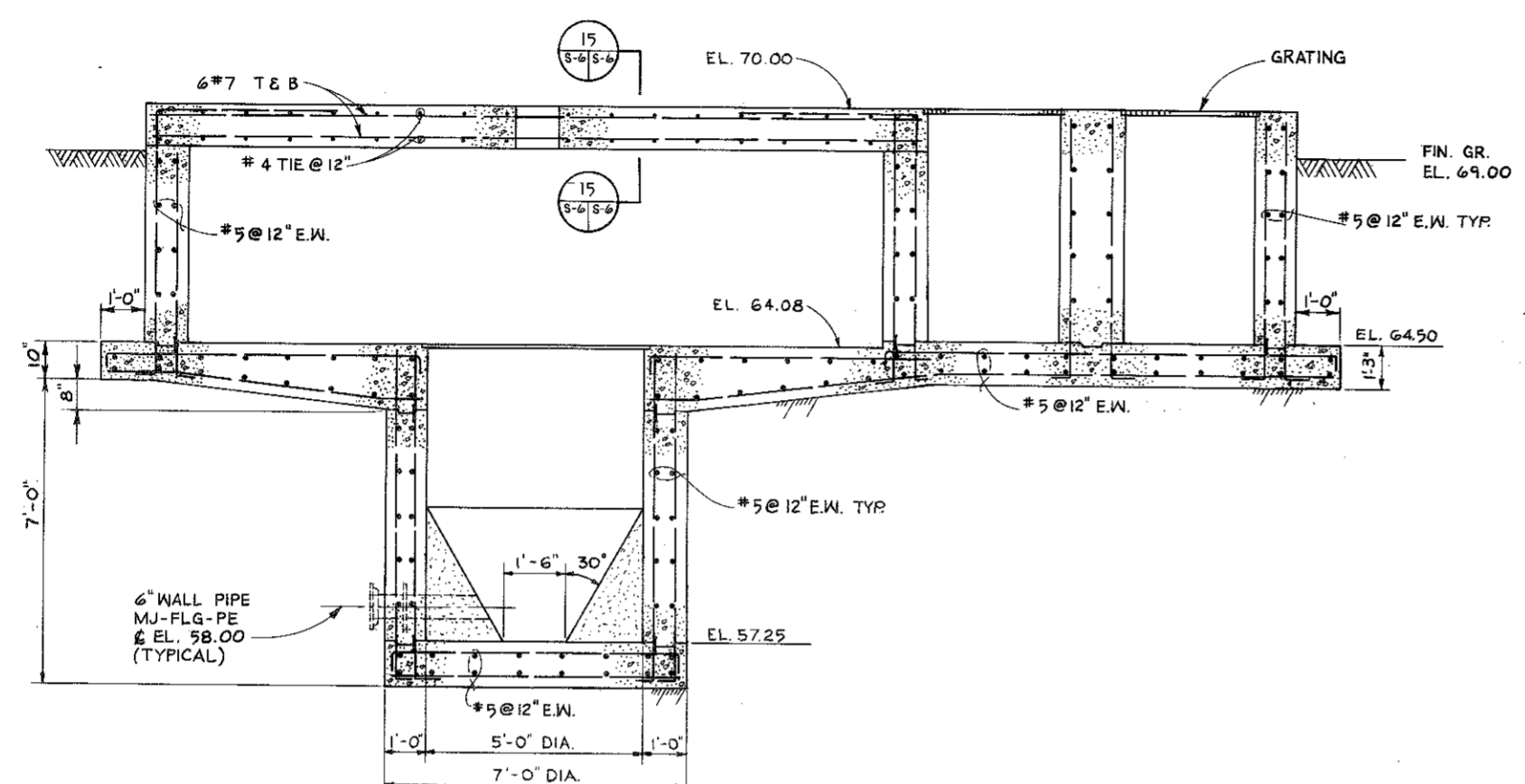


SECTION 8
SCALE: 1/2" = 1'-0"
12' 0' 1' 2' 3' 4'

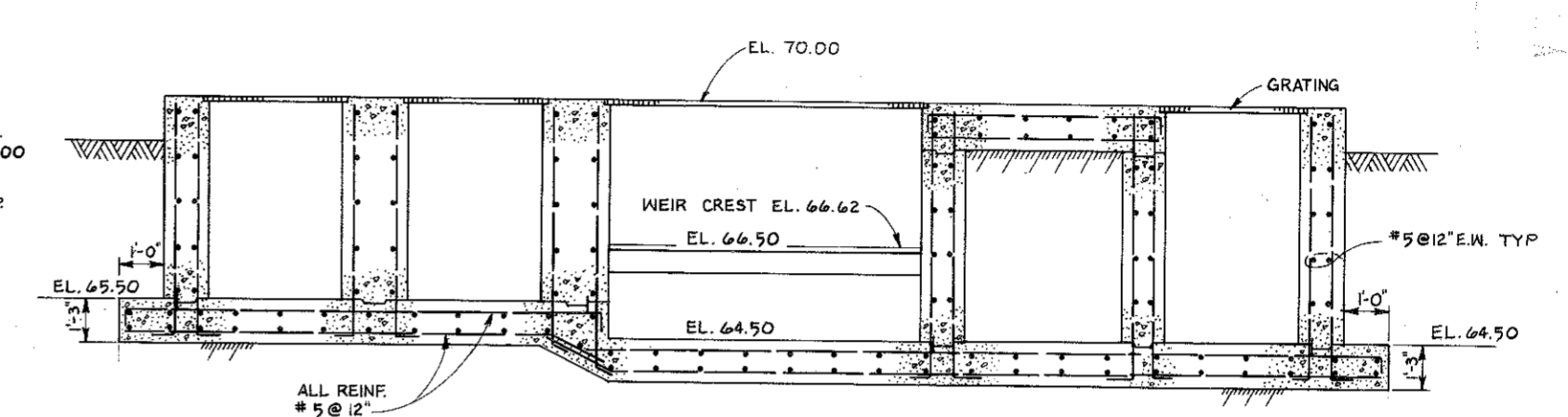
NOTE: DIMENSIONS TYP. FOR BOTH GRIT TANKS

NOTE: SEE PLATE X-4 FOR LOCATION OF PIEZOMETERS P-11 & P-12.

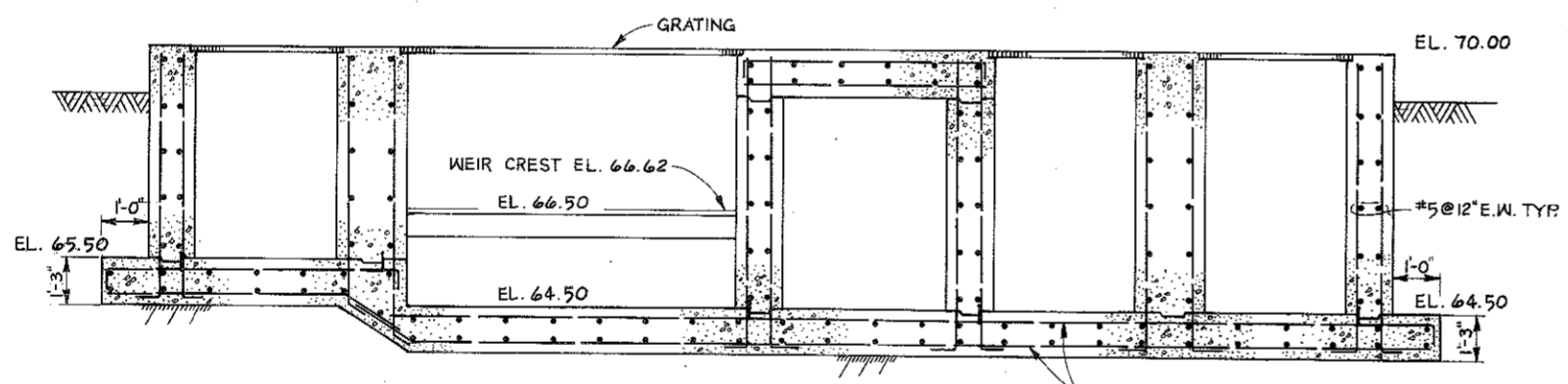
RUSSELL & AXON ENGINEERS-PLANNERS-ARCHITECTS INCORPORATED, FLORIDA DAYTONA BEACH, GEORGIA		U. S. ARMY ENGINEER DISTRICT, SAVANNAH CORPS OF ENGINEERS SAVANNAH, GEORGIA	
REGIONAL SEWAGE FACILITIES			
HEADWORKS - SECTIONS			
HINESVILLE / FT. STEWART		GEORGIA	
SIZE	INVITATION NO.	DRAWING NO.	PLATE
F	DACA-21-85-8-0056	832-40-01	S-5
SYMBOL	ZONE	DESCRIPTION	DATE BY
REVISIONS			
SCALE: AS NOTED		SHEET 66	



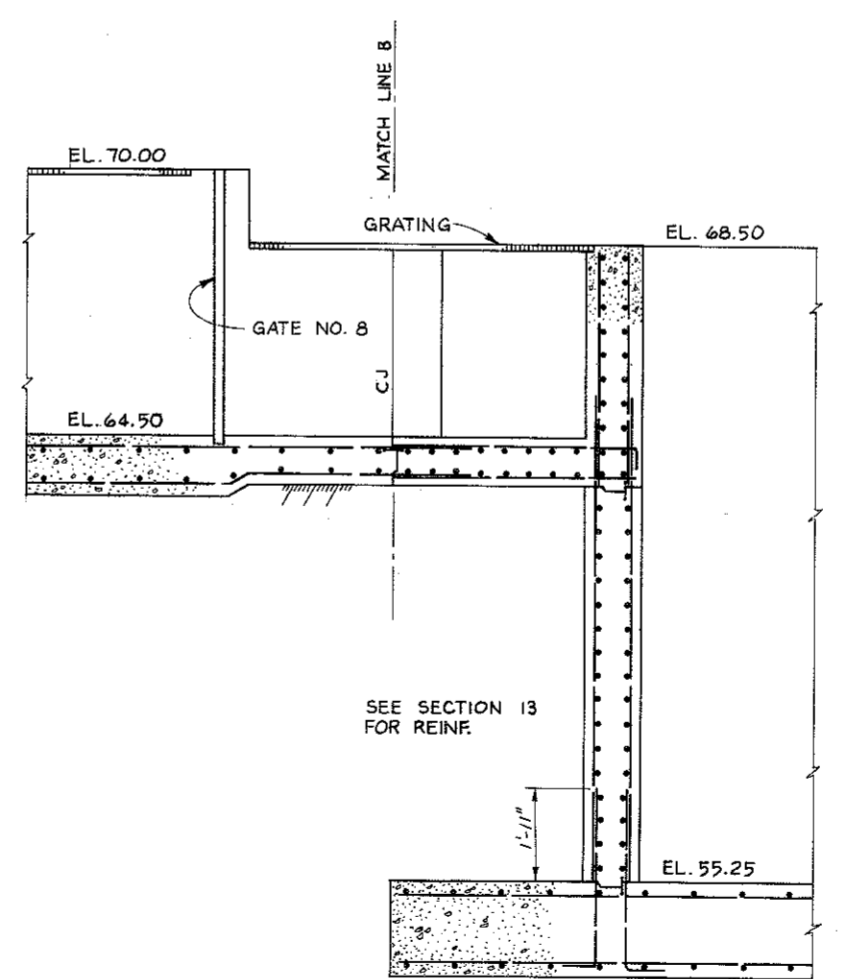
SECTION 9
SCALE: 1/2" = 1'-0"
12" 0 1 2 3 4



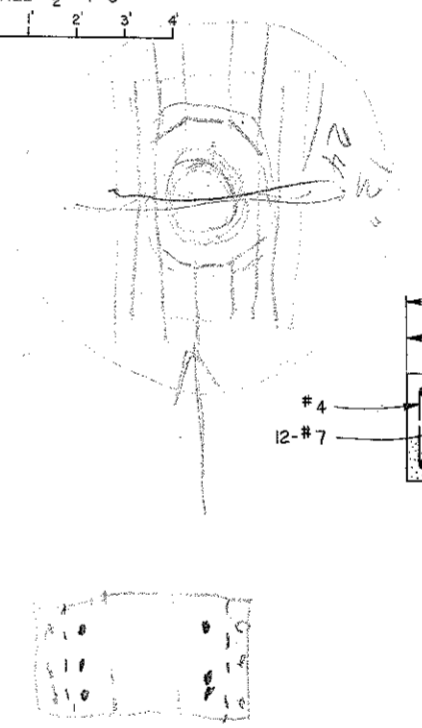
SECTION 10
SCALE: 1/2" = 1'-0"
12" 0 1 2 3 4



SECTION 11
SCALE: 1/2" = 1'-0"
12" 0 1 2 3 4



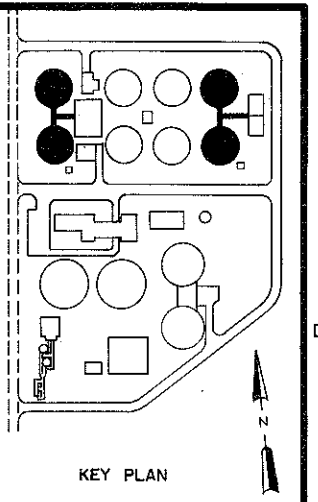
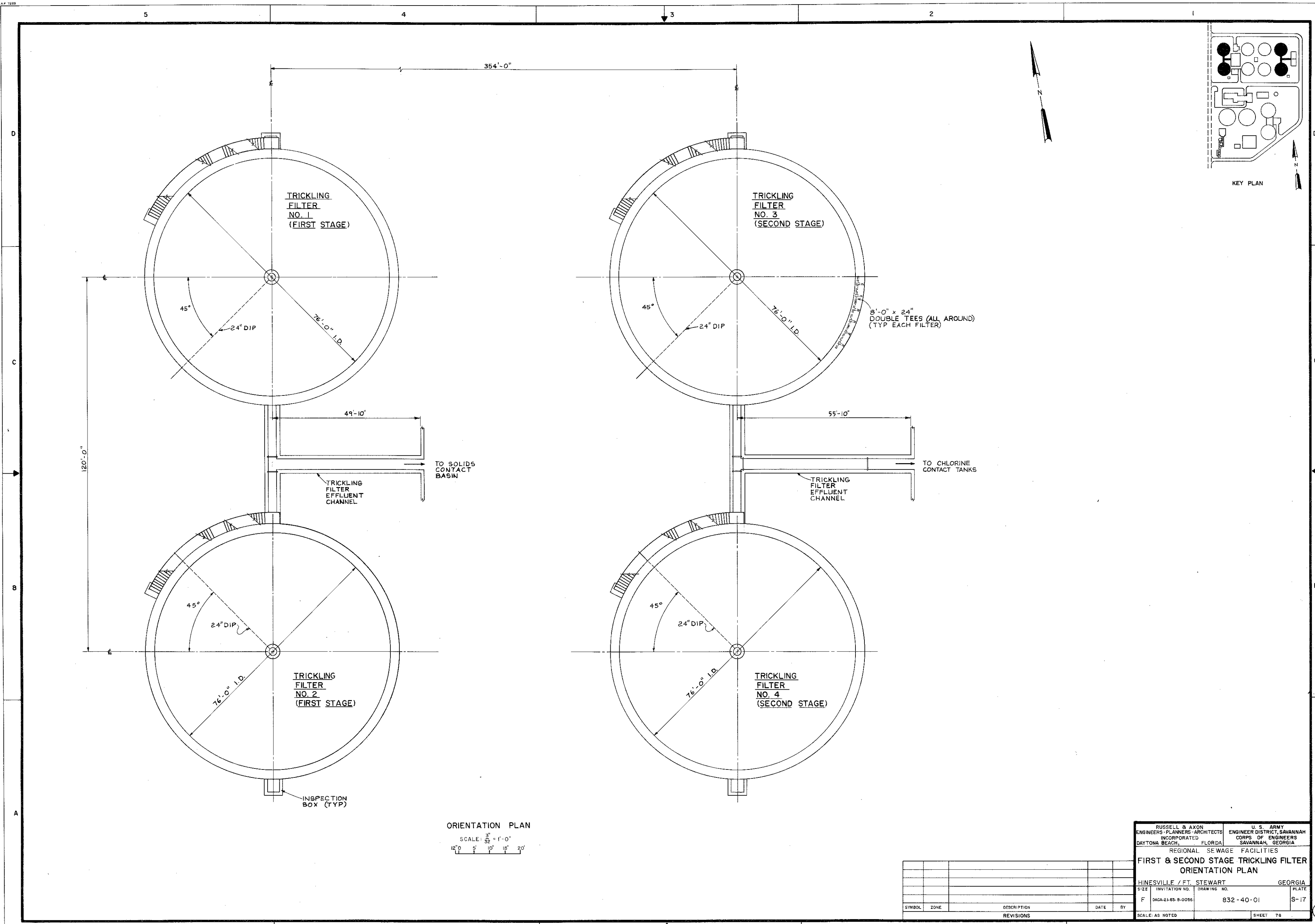
SECTION 12
SCALE: 1/2" = 1'-0"
12" 0 1 2 3 4



NOTE:
12#7 BARS SPACED TO MISS
1'-1" HOLE #4 TIE BARS @ 1'-0"
SECTION 15
SCALE: 1" = 1'-0"
12" 0 1 2

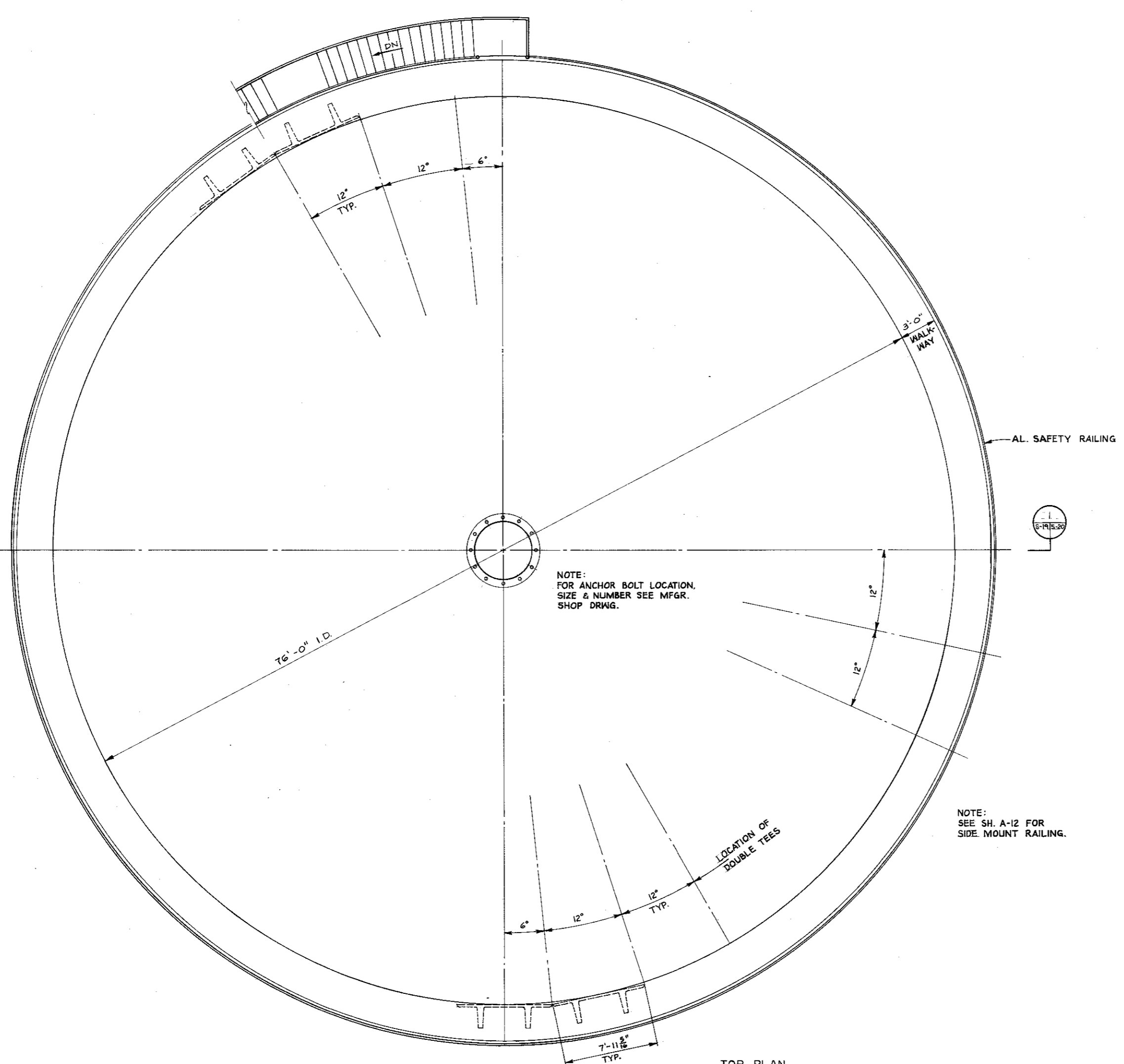
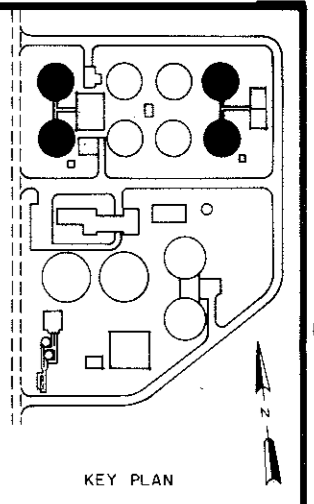
SYMBOL	ZONE	DESCRIPTION	DATE	BY

RUSSELL & AXON ENGINEERS-PLANNERS-ARCHITECTS INCORPORATED DAYTONA BEACH, FLORIDA		U. S. ARMY ENGINEER DISTRICT, SAVANNAH CORPS OF ENGINEERS SAVANNAH, GEORGIA	
REGIONAL SEWAGE FACILITIES			
HINESVILLE / FT. STEWART			
SIZE	INVITATION NO.	DRAWING NO.	GEORGIA PLATE
F	DACA-21-83-8-0058	832-40-01	S-6
SCALE: AS NOTED			SHEET 67



ORIENTATION PLAN
 SCALE: 3/32" = 1'-0"
 12' 0" 5' 10' 15' 20'

RUSSELL & AXON ENGINEERS - PLANNERS - ARCHITECTS DAYTONA BEACH, FLORIDA		U. S. ARMY ENGINEER DISTRICT, SAVANNAH CORPS OF ENGINEERS SAVANNAH, GEORGIA	
REGIONAL SEWAGE FACILITIES			
FIRST & SECOND STAGE TRICKLING FILTER ORIENTATION PLAN			
HINESVILLE / FT. STEWART		GEORGIA	
SIZE	INVIATION NO.	DRAWING NO.	PLATE
F	DACA-21-85-B-0055	832-40-01	S-17
SYMBOL			REVISIONS
ZONE	DESCRIPTION	DATE	BY
SCALE: AS NOTED			SHEET 78



NOTE:
FOR ANCHOR BOLT LOCATION,
SIZE & NUMBER SEE MFR.
SHOP DRWG.

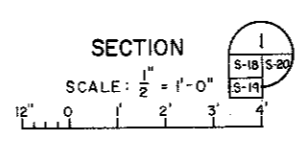
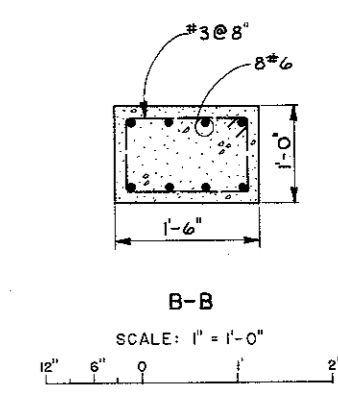
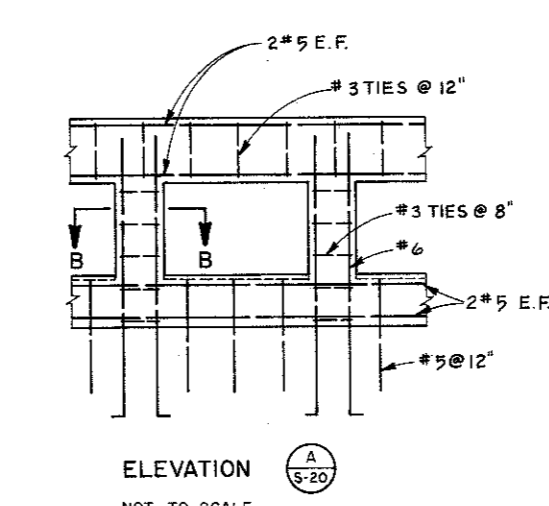
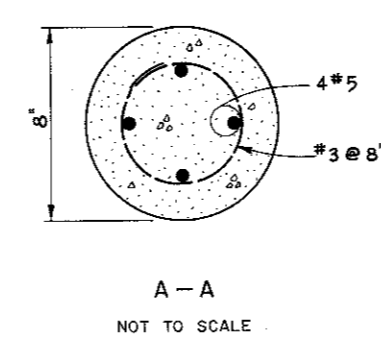
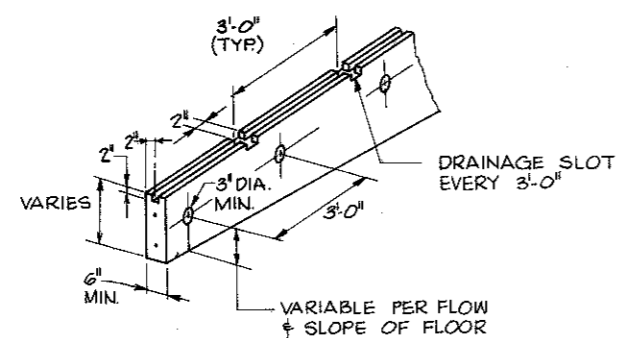
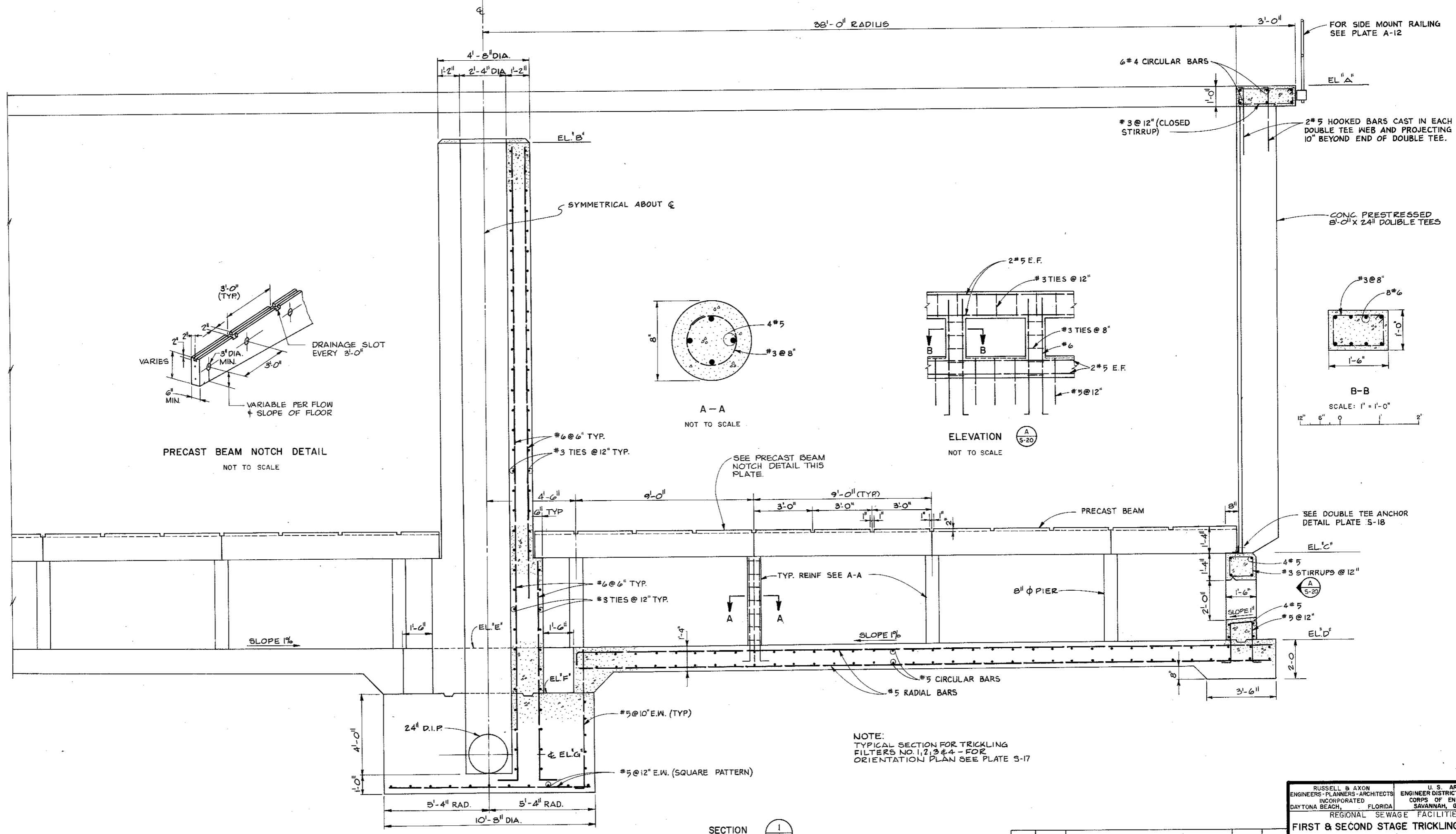
NOTE:
SEE SH. A-12 FOR
SIDE MOUNT RAILING.

TOP PLAN
TYP FOR TRICKLING FILTERS
NO. 1, 2, 3, & 4 (NO. 1 & 3 SHOWN)
FOR ORIENTATION PLAN SEE S-17

SCALE: $\frac{1}{4}'' = 1'-0''$

RUSSELL & AXON ENGINEERS-PLANNERS-ARCHITECTS DAYTONA BEACH, FLORIDA		U. S. ARMY ENGINEER DISTRICT, SAVANNAH CORPS OF ENGINEERS SAVANNAH, GEORGIA	
REGIONAL SEWAGE FACILITIES			
FIRST & SECOND STAGE TRICKLING FILTER TOP PLAN & DETAILS			
HINESVILLE / FT. STEWART		GEORGIA	
SIZE	INVESTIGATION NO.	DRAWING NO.	PLATE
F	DACA-21-83-B-0056	832-40-01	S-19
SYMBOL ZONE DESCRIPTION DATE BY			REVISIONS
SCALE: AS NOTED			SHEET 90

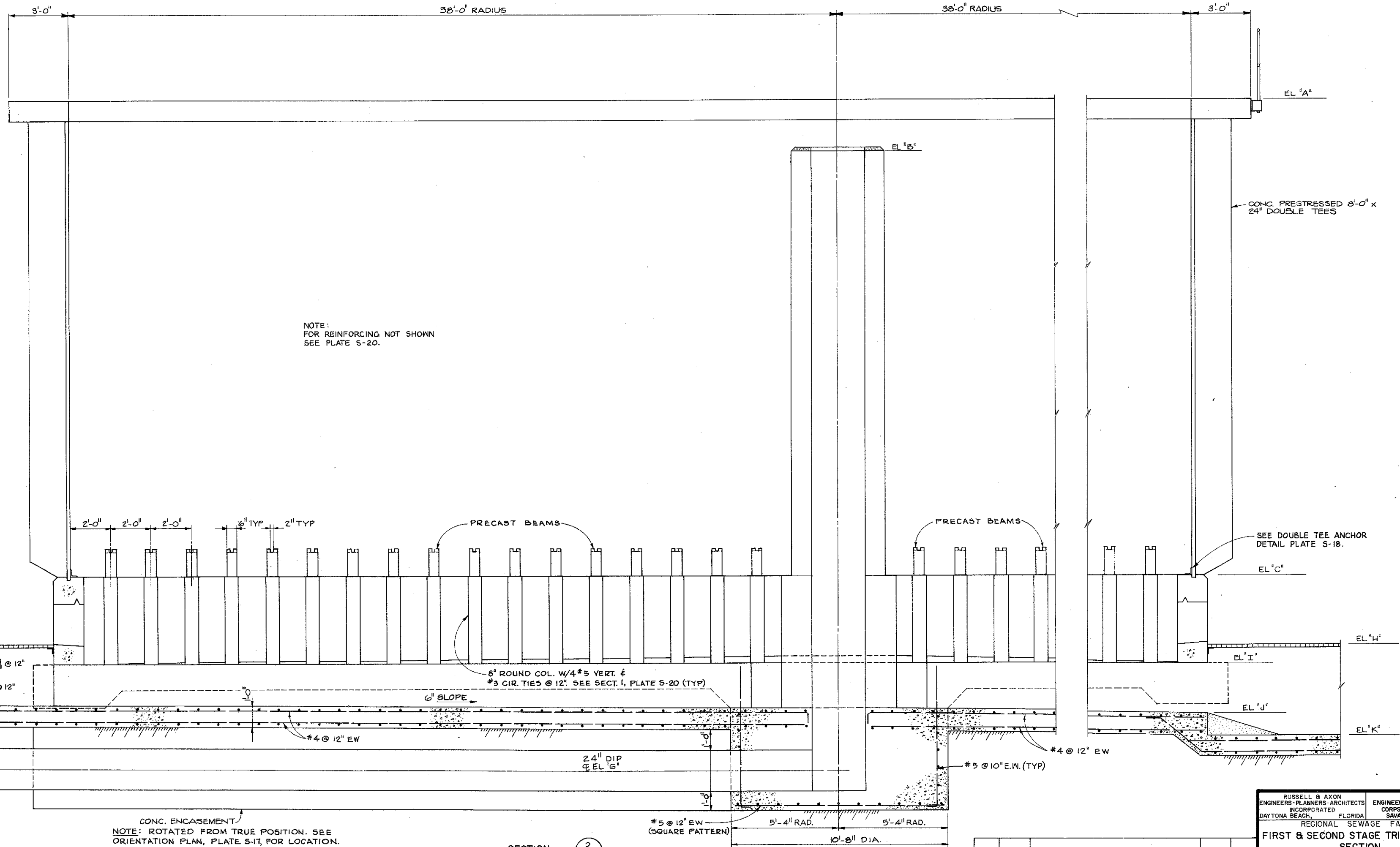
DESCRIPTION	ELEVATIONS						FIN. GRADE	
	A	B	C	D	E	F		G
TRICKLING FILTERS NOS. 1 & 2 (FIRST STAGE)	92.10	89.58	88.83	84.84	84.50	82.25	59.25	65.00
TRICKLING FILTERS NOS. 3 & 4 (SECOND STAGE)	90.10	87.58	86.83	82.84	82.50	80.25	57.25	63.00



NOTE:
TYPICAL SECTION FOR TRICKLING FILTERS NO. 1, 2, 3 & 4 - FOR ORIENTATION PLAN SEE PLATE S-17

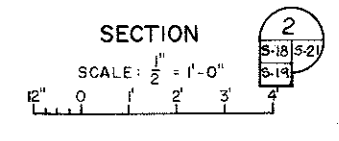
RUSSELL & AXON ENGINEERS-PLANNERS-ARCHITECTS DAYTONA BEACH, FLORIDA		U.S. ARMY ENGINEER DISTRICT, SAVANNAH CORPS OF ENGINEERS SAVANNAH, GEORGIA	
REGIONAL SEWAGE FACILITIES			
FIRST & SECOND STAGE TRICKLING FILTER SECTION			
HINESVILLE / FT. STEWART		GEORGIA	
SIZE	INVITATION NO.	DRAWING NO.	PLATE
F	DACA-21-83-B-0066	832-40-01	S-20
SYMBOL	ZONE	DESCRIPTION	DATE
		REVISIONS	BY
SCALE: AS NOTED			SHEET 81

DESCRIPTION	ELEVATIONS											
	A	B	C	D	E	H	I	J	K	L	M	FIN GRADE
TRICKLING FILTER NO. 1 & NO. 2 (FIRST STAGE)	92.16	89.58	68.83	69.84	59.25	63.50	64.50	62.00	61.00	63.50	62.50	64.50
TRICKLING FILTER NO. 3 &	90.16	87.58	66.83	67.84	57.25	63.50	62.50	60.00	59.00	63.50	60.50	62.50



NOTE:
FOR REINFORCING NOT SHOWN
SEE PLATE S-20.

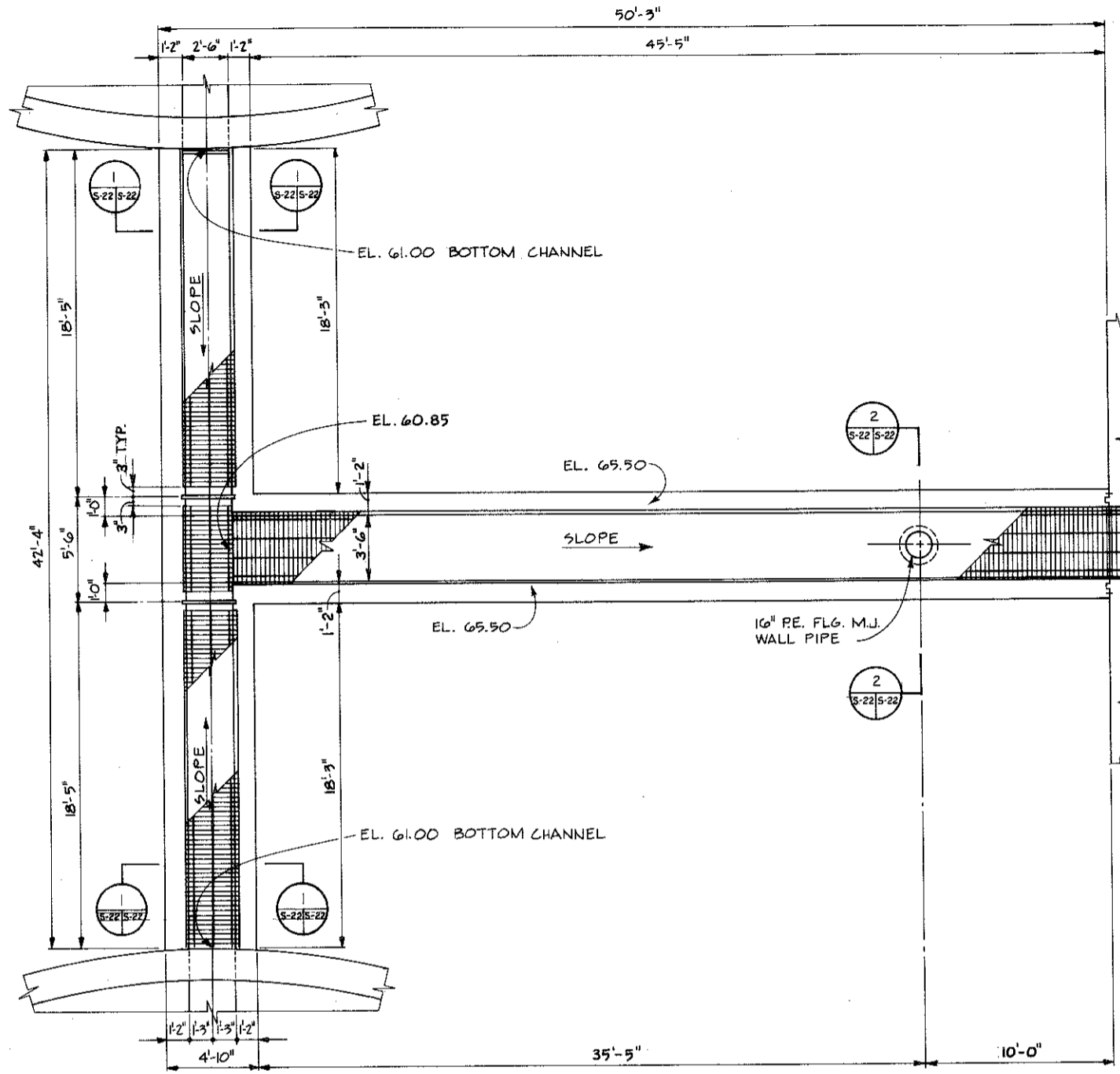
CONC. ENCASUREMENT
NOTE: ROTATED FROM TRUE POSITION. SEE
ORIENTATION PLAN, PLATE S-17, FOR LOCATION.



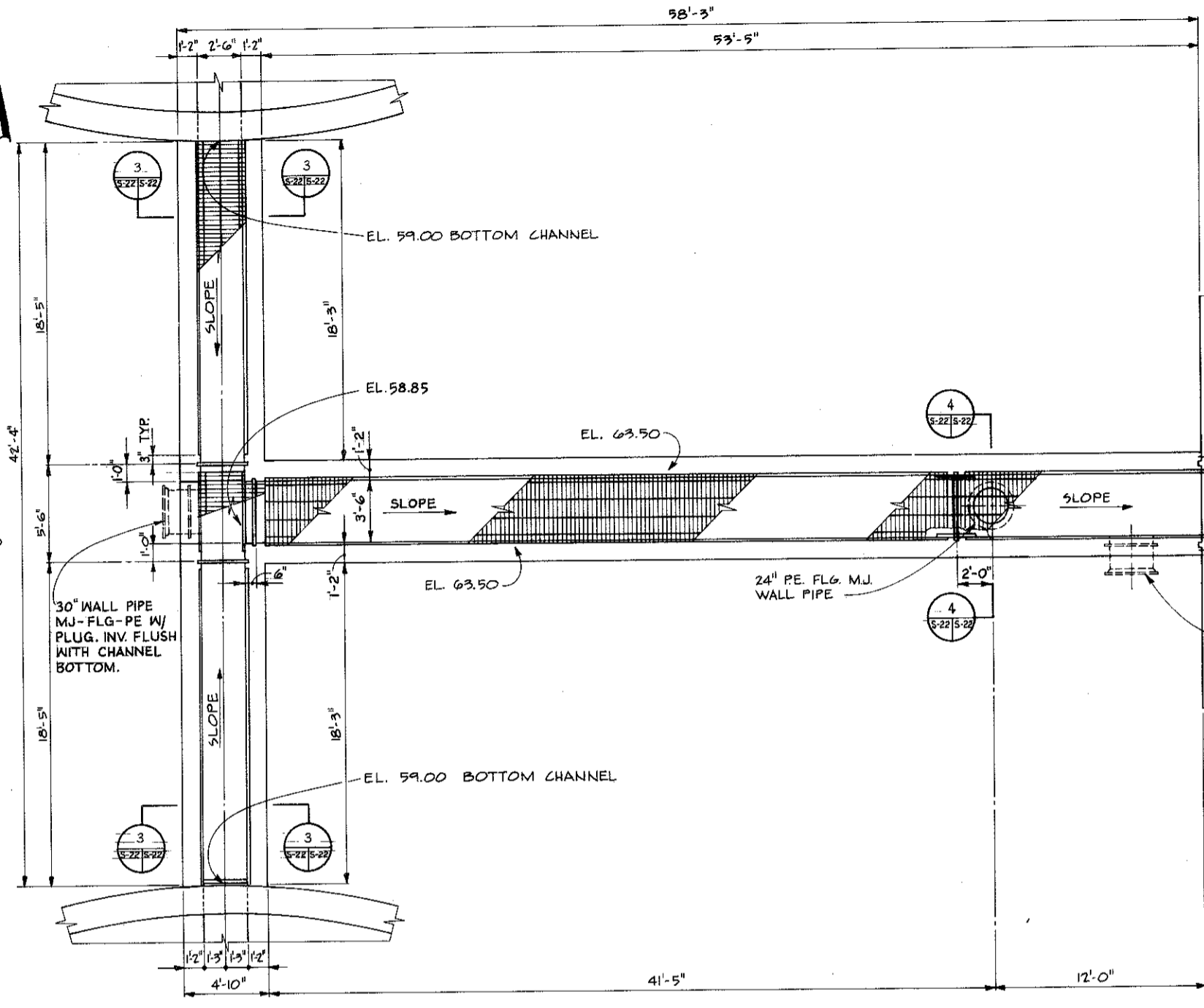
RUSSELL & AXON ENGINEERS-PLANNERS-ARCHITECTS INCORPORATED DAYTONA BEACH, FLORIDA		U. S. ARMY ENGINEER DISTRICT, SAVANNAH CORPS OF ENGINEERS SAVANNAH, GEORGIA	
REGIONAL SEWAGE FACILITIES			
FIRST & SECOND STAGE TRICKLING FILTER SECTION			
HINESVILLE / FT. STEWART		GEORGIA	
SIZE: F	INVITATION NO.	DRAWING NO.	PLATE
F	DACA-21-83-B-0056	832-40-01	S-21
SCALE: AS NOTED		SHEET 82	

SYMBOL	ZONE	DESCRIPTION	DATE	BY

TRICKLING FILTER NO. 1

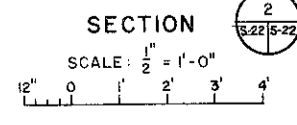
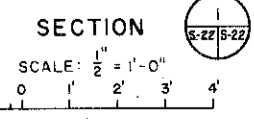
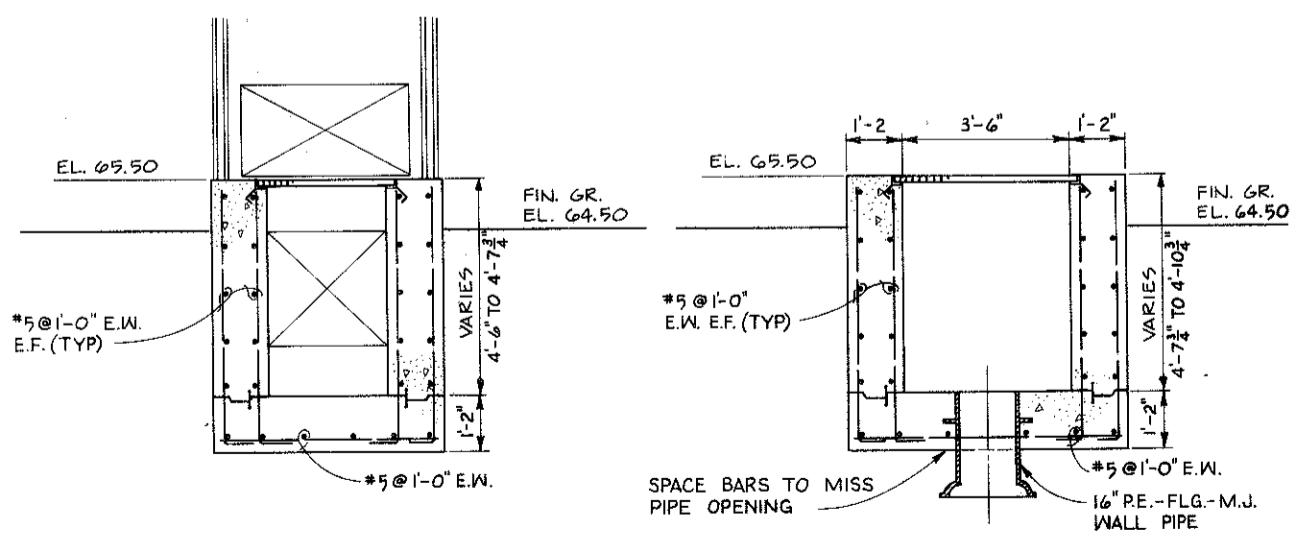
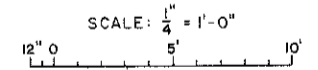


TRICKLING FILTER NO. 3



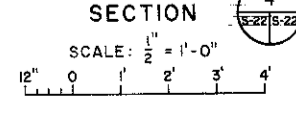
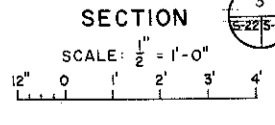
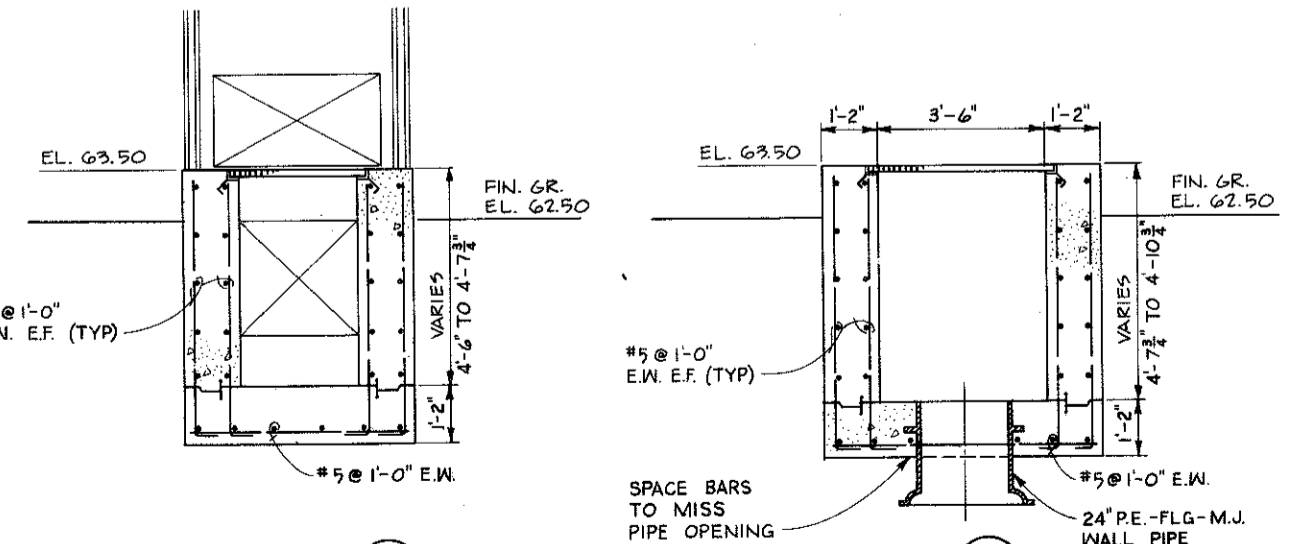
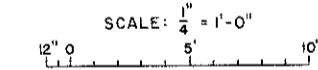
TRICKLING FILTER NO. 2

FIRST STAGE TRICKLING FILTER EFFLUENT CHANNEL PLAN

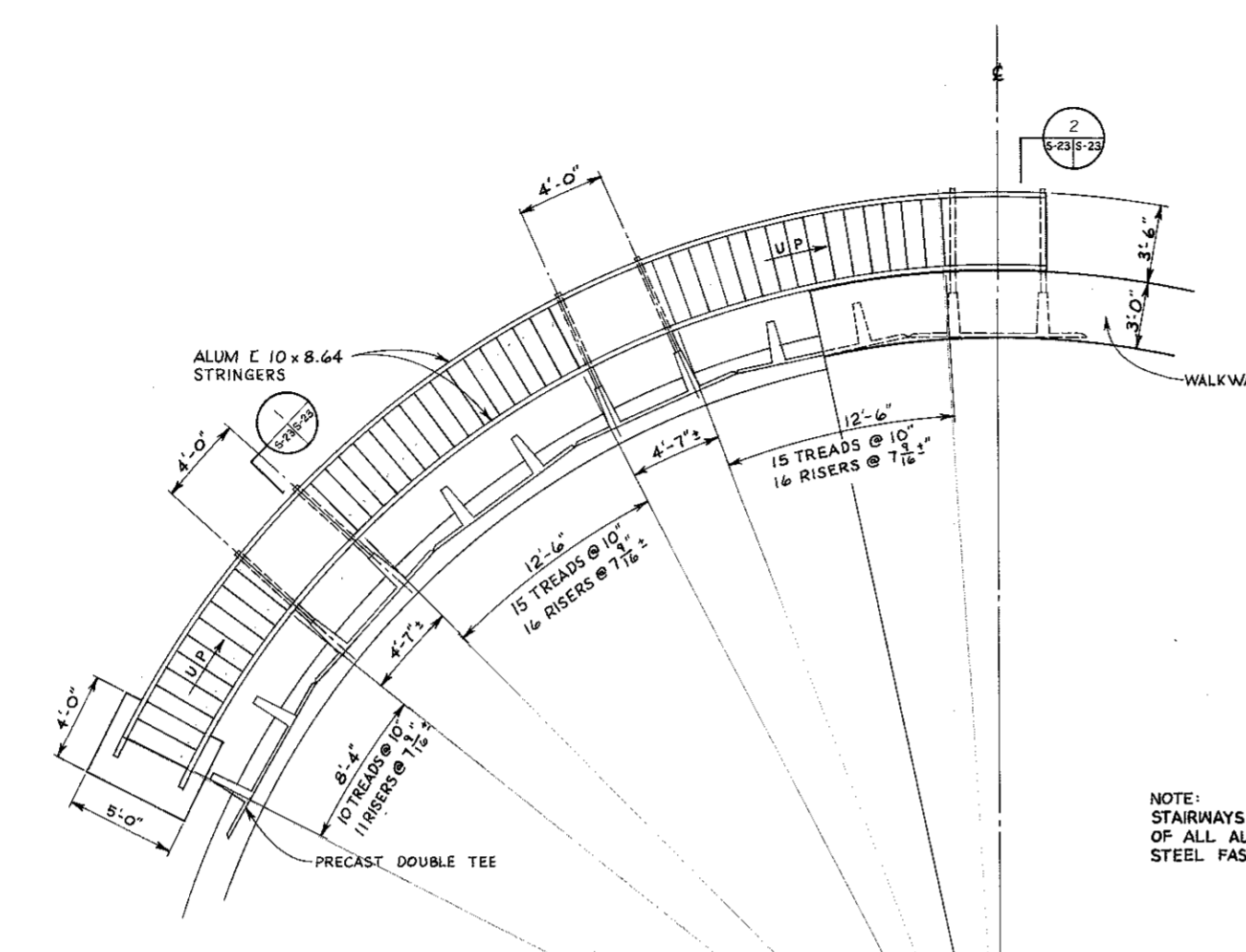


TRICKLING FILTER NO. 4

SECOND STAGE TRICKLING FILTER EFFLUENT CHANNEL PLAN



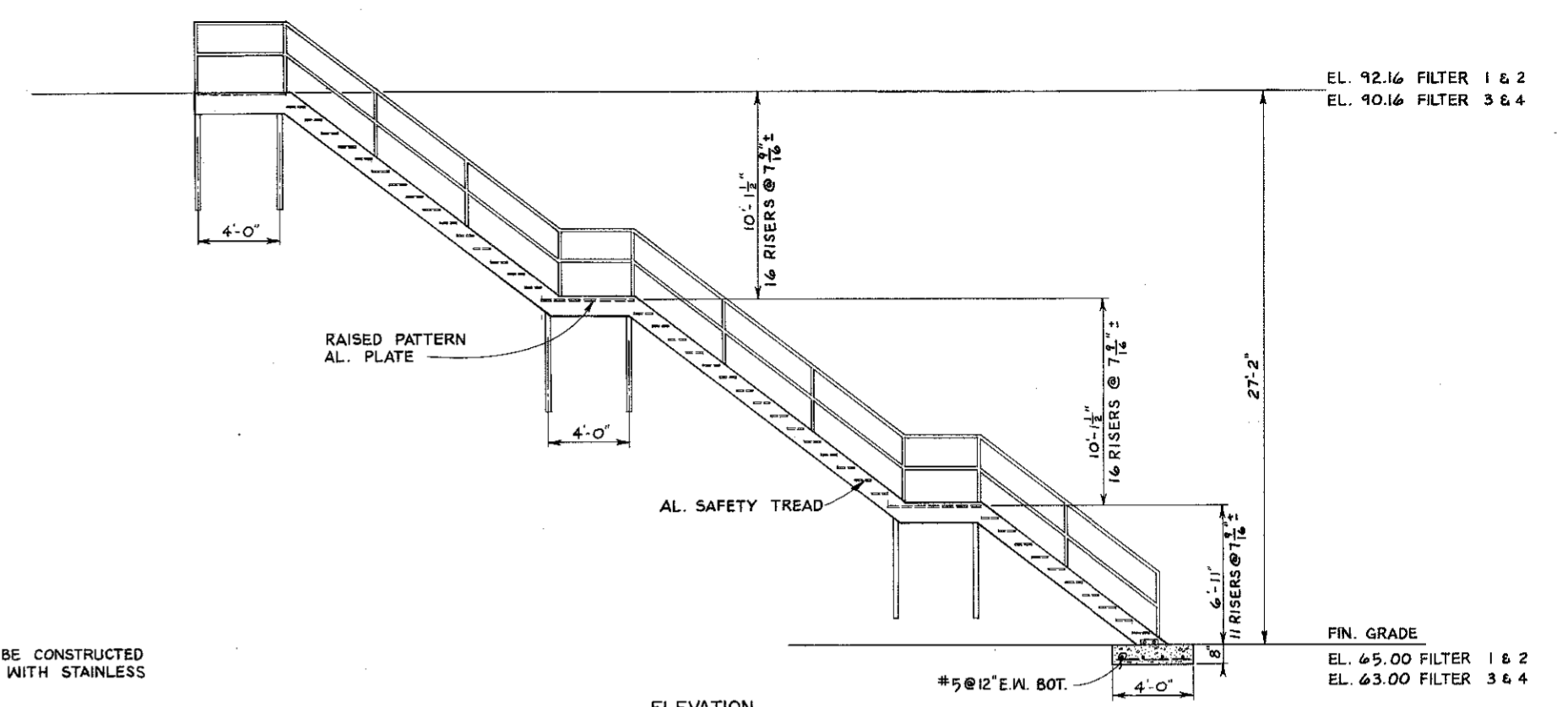
RUSSELL & AXON ENGINEERS - PLANNERS-ARCHITECTS INCORPORATED DAYTONA BEACH, FLORIDA		U. S. ARMY ENGINEER DISTRICT, SAVANNAH CORPS OF ENGINEERS SAVANNAH, GEORGIA	
REGIONAL SEWAGE FACILITIES TRICKLING FILTER EFFLUENT CHANNELS- PLANS & SECTIONS			
HINESVILLE / FT. STEWART		GEORGIA	
SIZE F	INVITATION NO. DA-21 83-9-0066	DRAWING NO. 832-40-01	PLATE S-22
SCALE: AS NOTED			
SHEET 83			



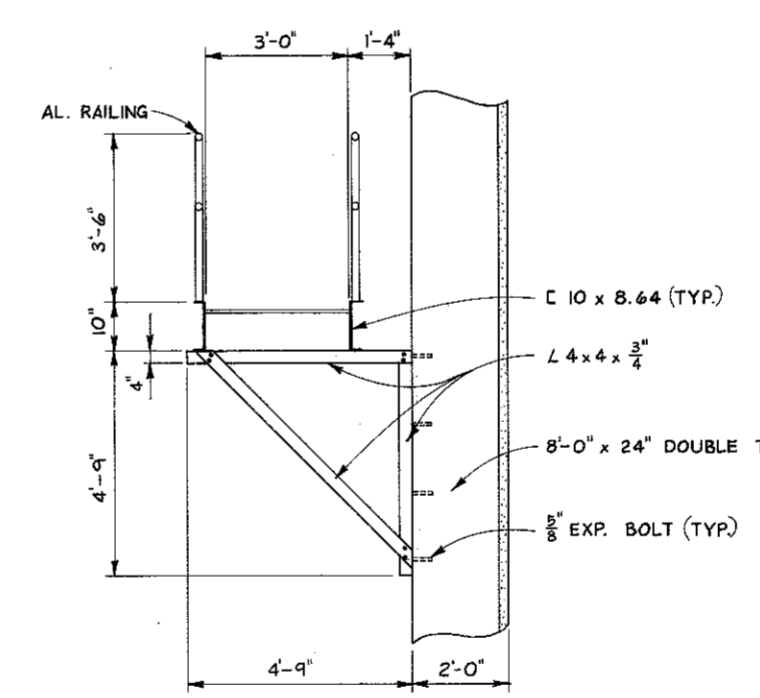
NOTE: DETAILS SHOWN ON THIS SHEET ARE TYPICAL FOR ALL FOUR TRICKLING FILTERS.

PLAN
SCALE: 1/4" = 1'-0"

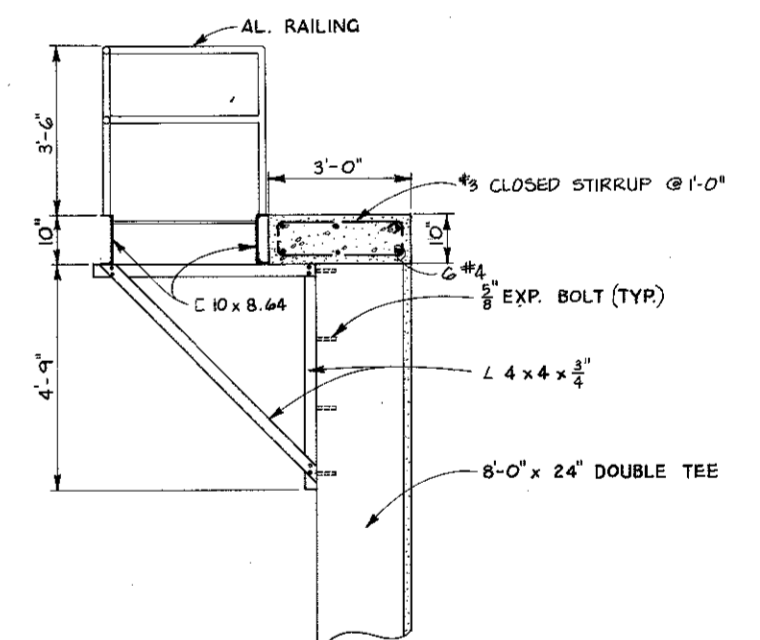
NOTE: STAIRWAYS SHALL BE CONSTRUCTED OF ALL ALUMINUM WITH STAINLESS STEEL FASTENERS.



ELEVATION
SCALE: 1/4" = 1'-0"

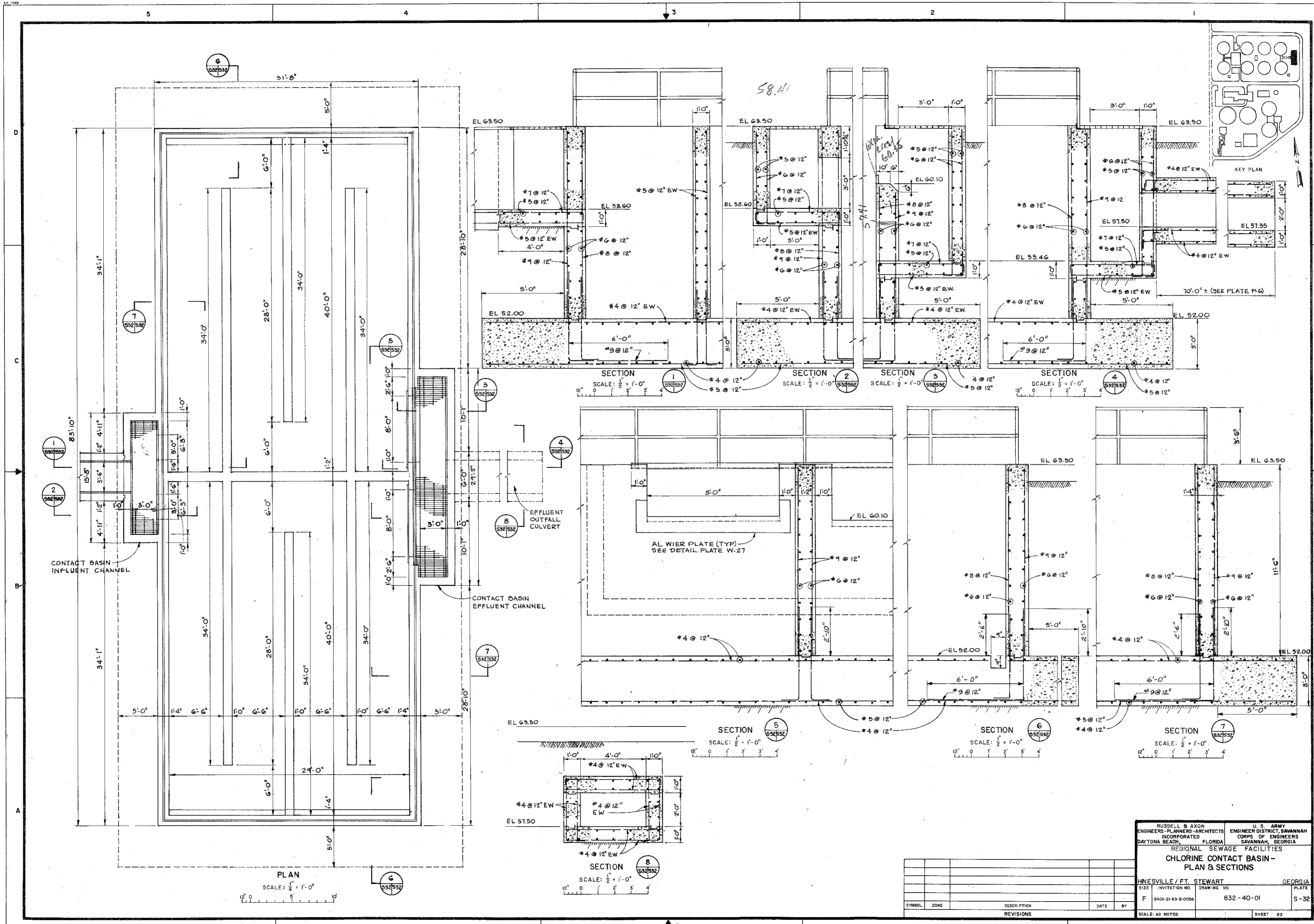


SECTION 1
SCALE: 1/2" = 1'-0"



SECTION 2
SCALE: 1/2" = 1'-0"

RUSSELL & AXON ENGINEERS-PLANNERS-ARCHITECTS DAYTONA BEACH, FLORIDA		U. S. ARMY ENGINEER DISTRICT, SAVANNAH CORPS OF ENGINEERS SAVANNAH, GEORGIA	
REGIONAL SEWAGE FACILITIES			
FIRST & SECOND STAGE TRICKLING FILTER STAIRWAY DETAILS			
HINESVILLE / FT. STEWART		GEORGIA	
SIZE	INVIATION NO.	DRAWING NO.	PLATE
F	DACA-21-83-B-0056	832-40-01	S-23
SYMBOL	ZONE	DESCRIPTION	DATE BY
REVISIONS		SCALE: AS NOTED	
			SHEET 84



CONTACT BASIN
INFLUENT CHANNEL

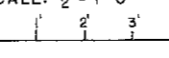
CONTACT BASIN
EFFLUENT CHANNEL

EFFLUENT
OUTFALL
CULVERT

AL WIER PLATE (TYP)
SEE DETAIL PLATE W-27

PLAN
SCALE: 1/2" = 1'-0"

SECTION 8
SCALE: 1/2" = 1'-0"

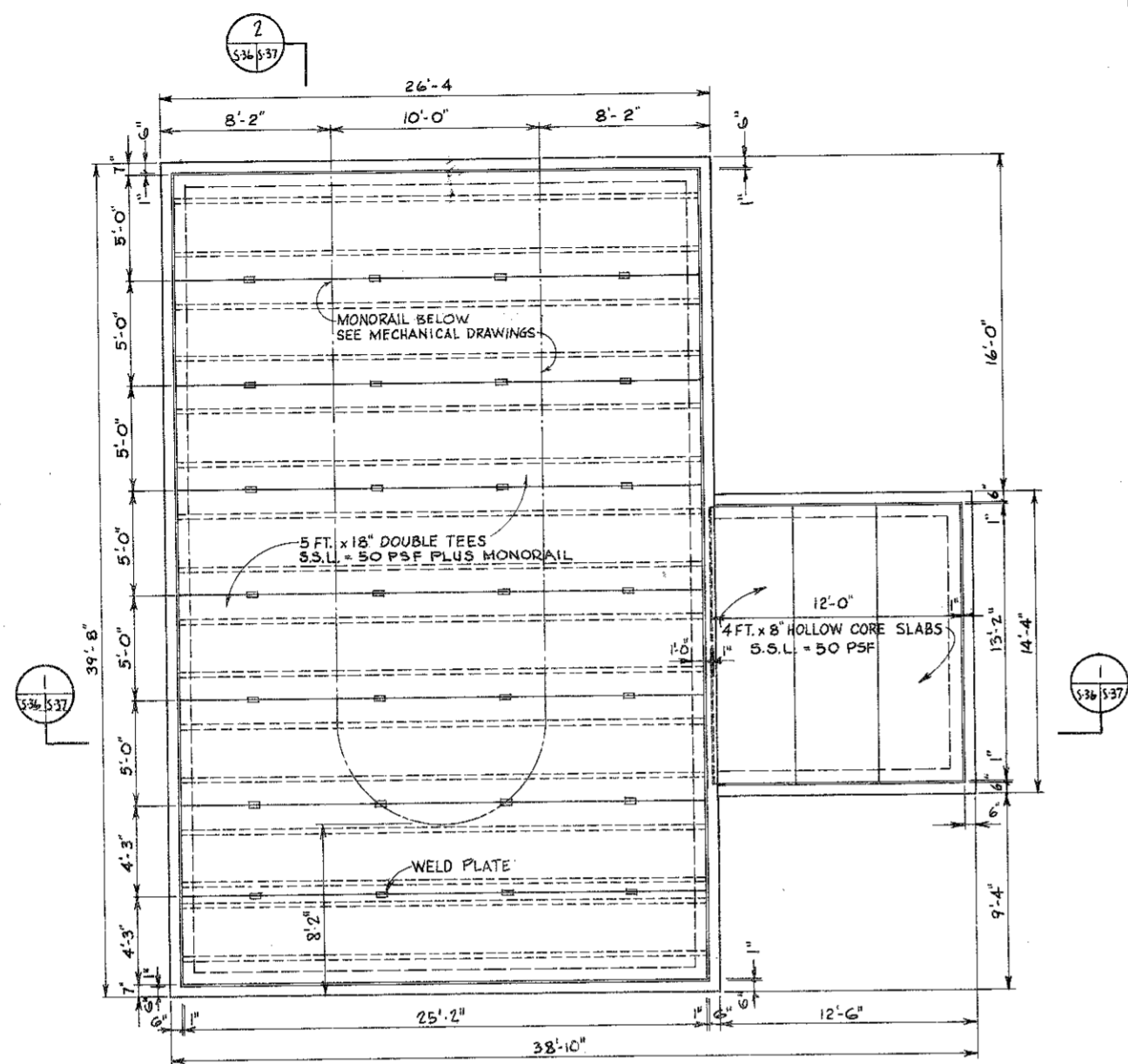


SECTION 5
SCALE: 1/2" = 1'-0"

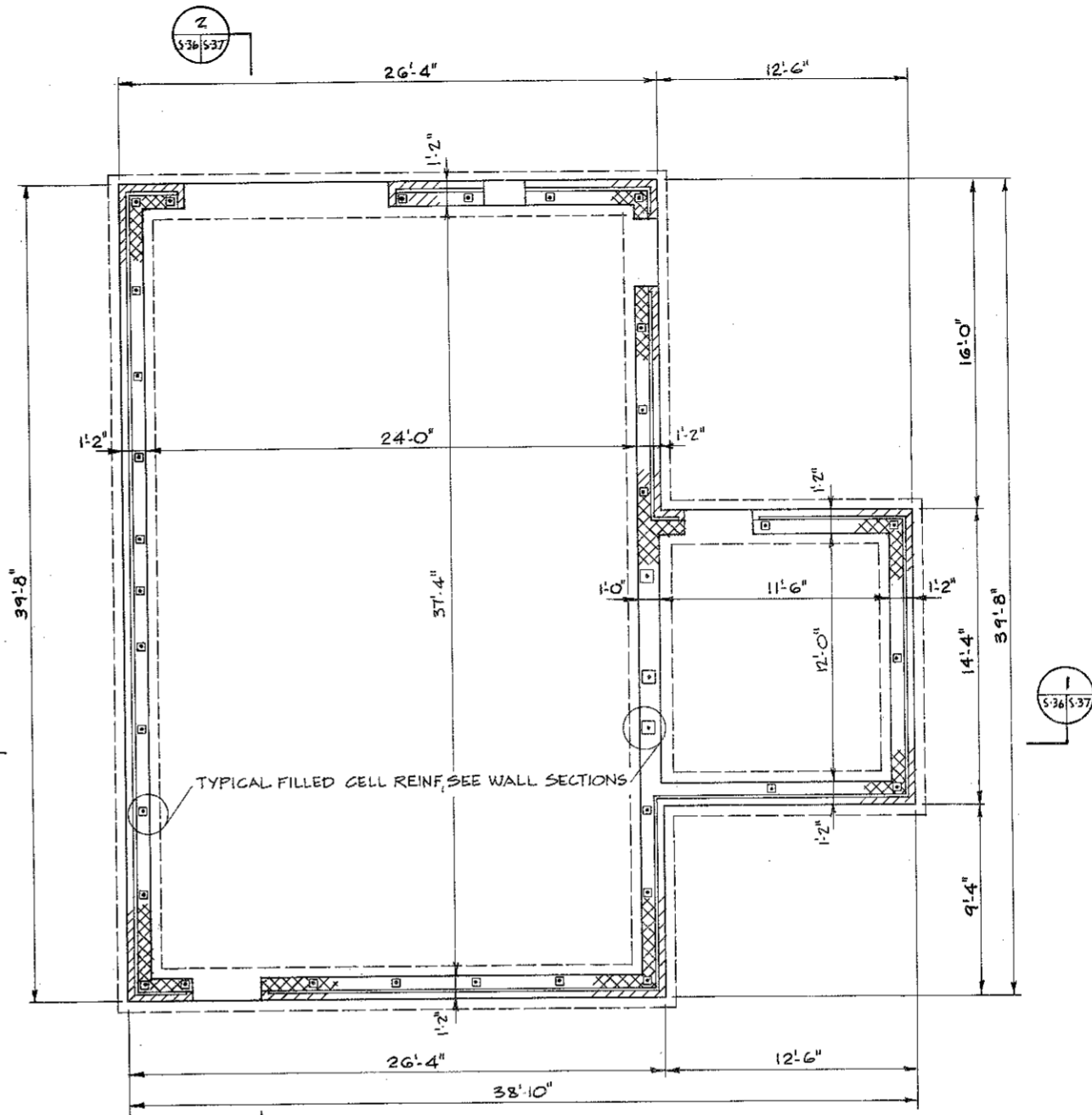
SECTION 6
SCALE: 1/2" = 1'-0"

SECTION 7
SCALE: 1/2" = 1'-0"

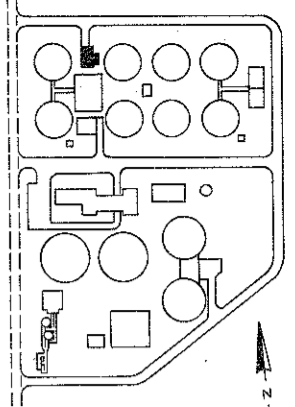
RUSSELL & AXON ENGINEERS-PLANNERS-ARCHITECTS INCORPORATED DAYTONA BEACH, FLORIDA		U. S. ARMY ENGINEER DISTRICT, SAVANNAH CORPS OF ENGINEERS SAVANNAH, GEORGIA	
REGIONAL SEWAGE FACILITIES			
CHLORINE CONTACT BASIN - PLAN & SECTIONS			
HINESVILLE / FT. STEWART		GEORGIA	
SIZE	INVITATION NO.	DRAWING NO.	PLATE
F	DACA-21-63-B-0056	832-40-01	S-32
SYMBOL		ZONE	REVISIONS
DATE		BY	SCALE: AS NOTED
SHEET		93	



ROOF FRAMING PLAN
SCALE: 1/4" = 1'-0"

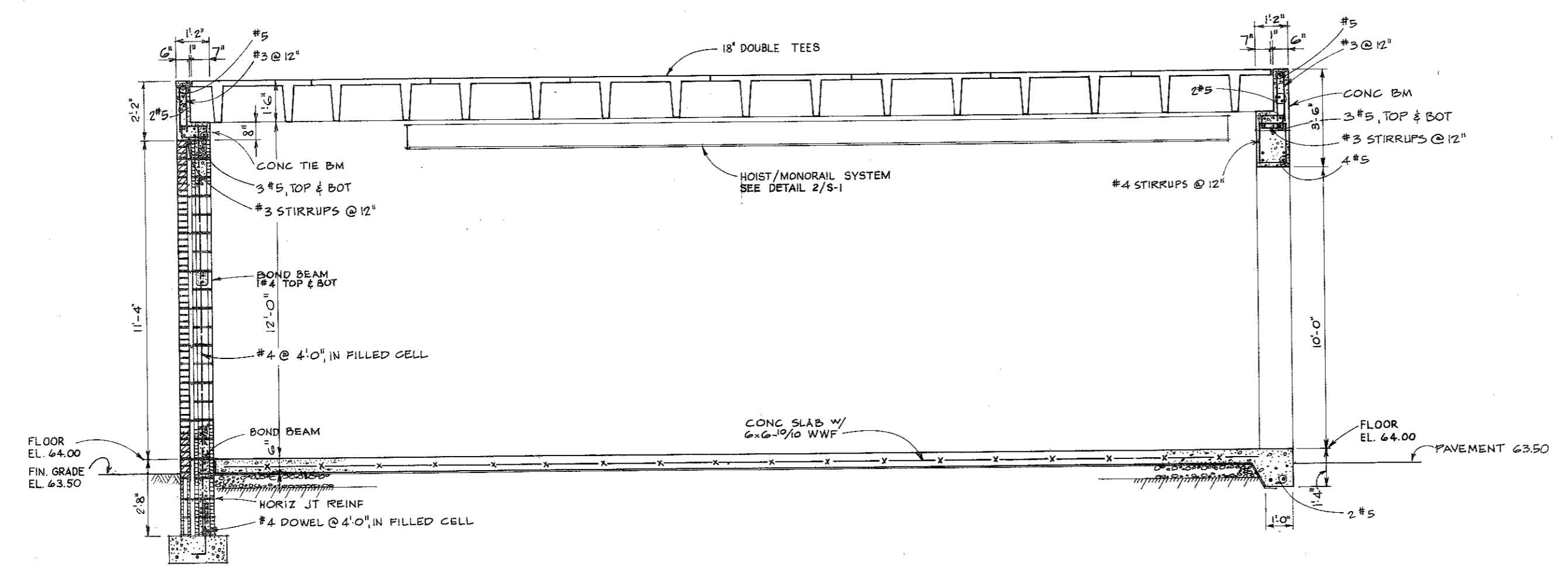
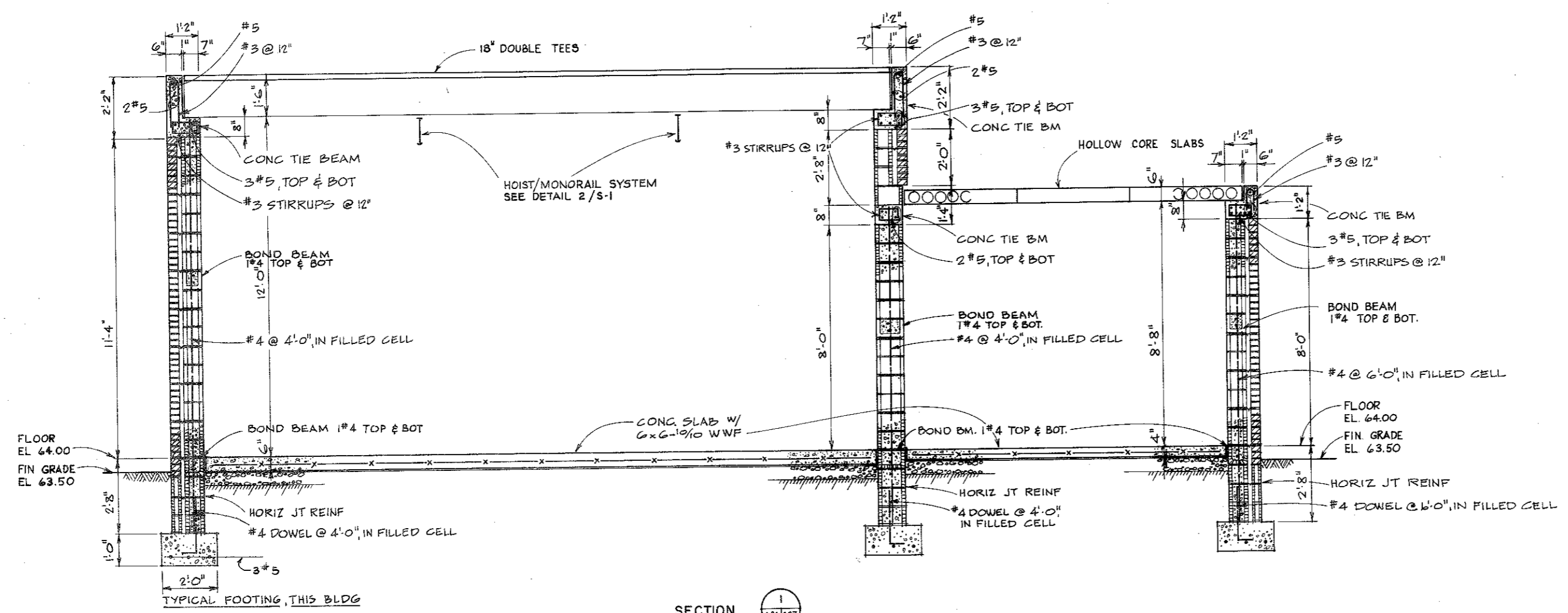


FOUNDATION PLAN
SCALE: 1/4" = 1'-0"

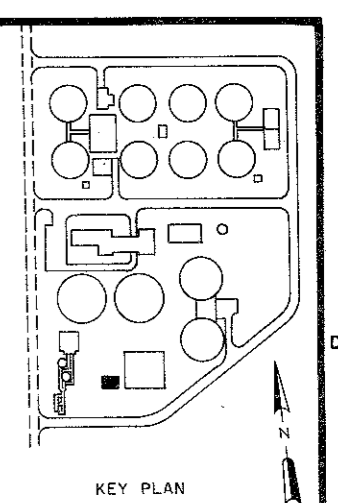
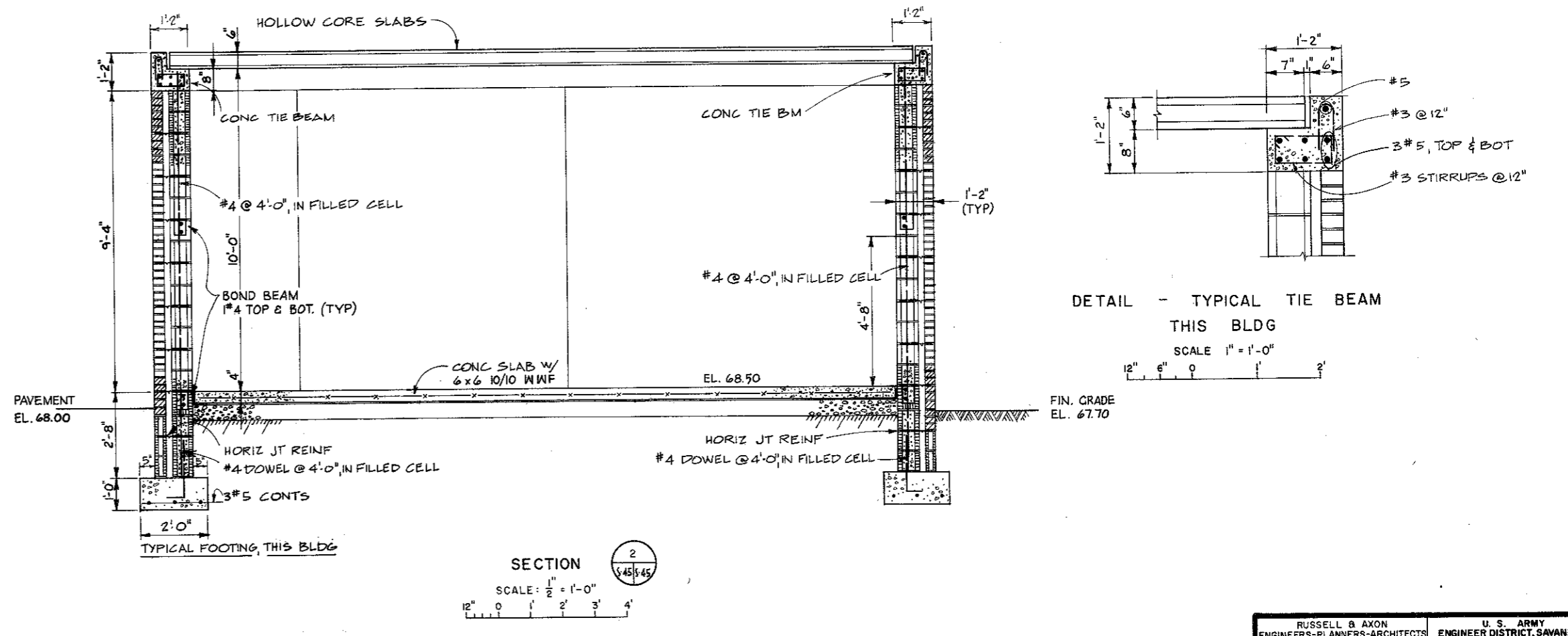
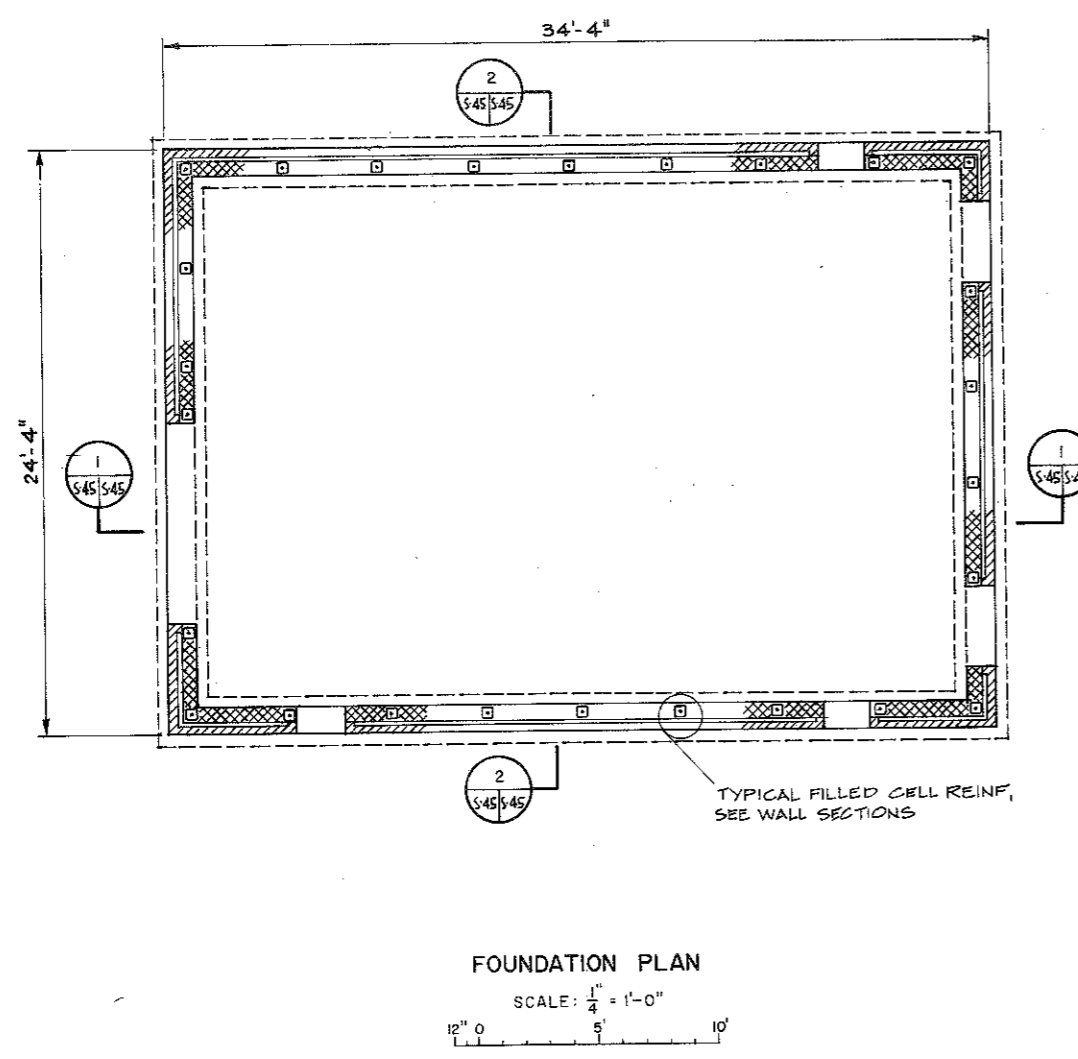
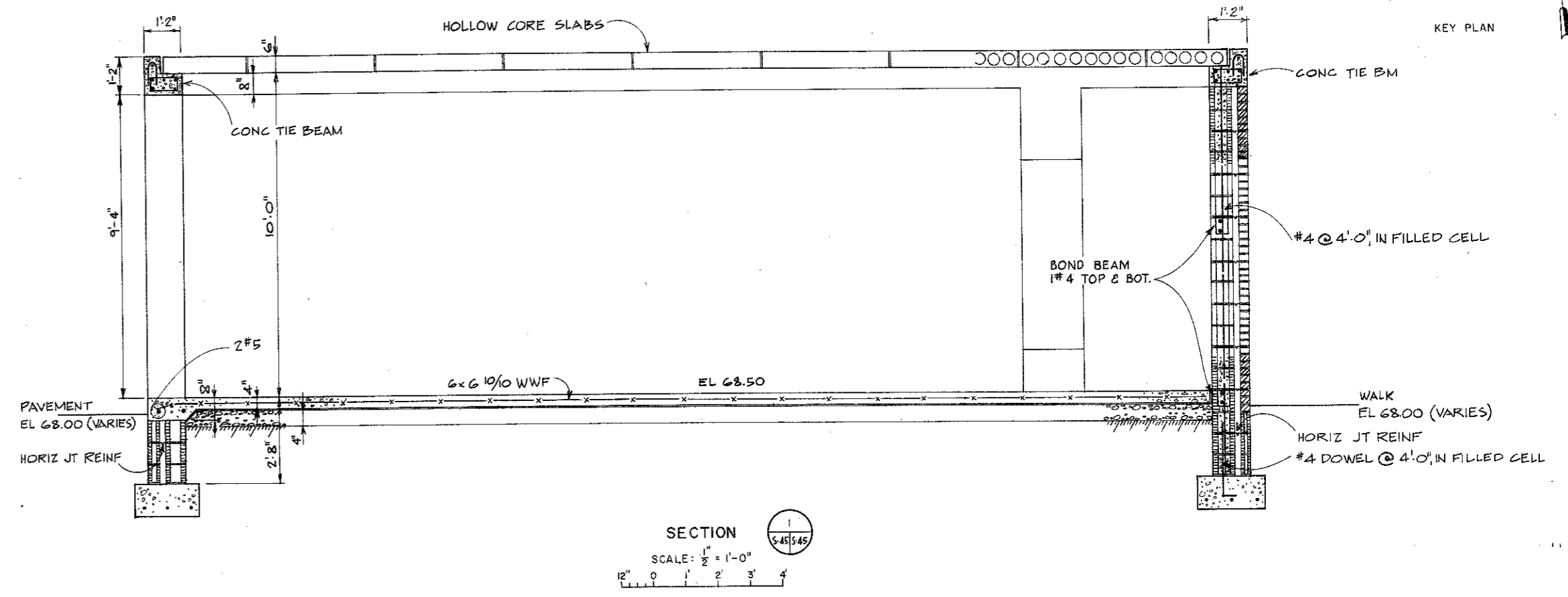
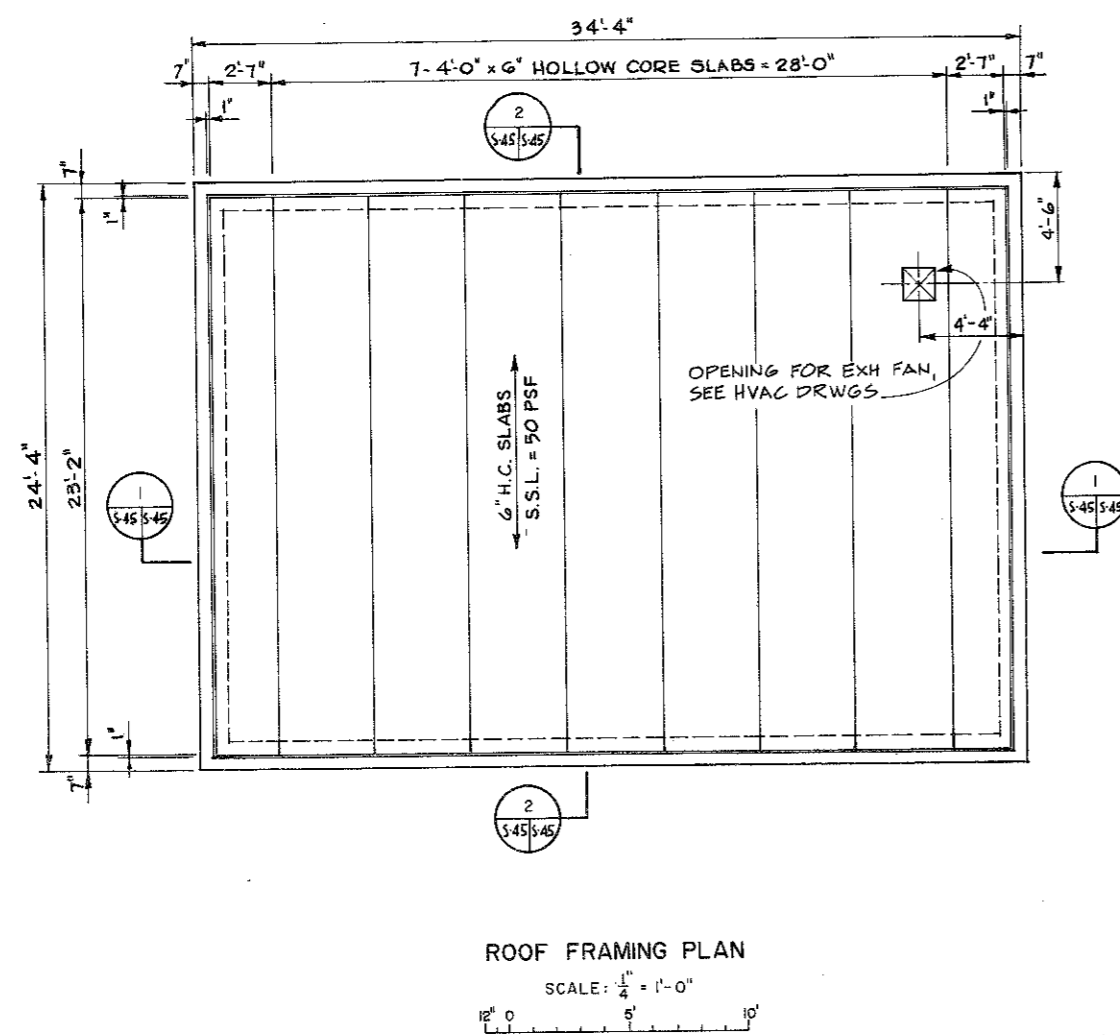


RUSSELL & AXON ENGINEERS-PLANNERS-ARCHITECTS INCORPORATED DAYTONA BEACH, FLORIDA		U. S. ARMY ENGINEER DISTRICT, SAVANNAH CORPS OF ENGINEERS SAVANNAH, GEORGIA	
REGIONAL SEWAGE FACILITIES			
CHLORINATION BUILDING - ROOF FRAMING & FOUNDATION PLANS			
HINESVILLE / FT. STEWART		GEORGIA	
SIZE	INVITATION NO.	DRAWING NO.	PLATE
F	DACA-21-83-9-0056	832-40-01	S-36
SYMBOL			REVISIONS
ZONE			DESCRIPTION
DATE			BY
SCALE: AS NOTED			
SHEET 97			

SYMBOL	ZONE	DESCRIPTION	DATE	BY



RUSSELL & AXON ENGINEERS-PLANNERS-ARCHITECTS INCORPORATED DAYTONA BEACH, FLORIDA		U. S. ARMY ENGINEER DISTRICT, SAVANNAH CORPS OF ENGINEERS SAVANNAH, GEORGIA	
REGIONAL SEWAGE FACILITIES			
CHLORINATION BUILDING - SECTIONS			
HINESVILLE / FT. STEWART		GEORGIA	
SIZE	INVESTIG. NO.	DRAWING NO.	PLATE
F	DACA-21-83-B-0056	832-40-01	S-37
SYMBOL	ZONE	DESCRIPTION	DATE BY
REVISIONS		SCALE: AS NOTED SHEET 88	



RUSSELL & AXON ENGINEERS-PLANNERS-ARCHITECTS INCORPORATED DAYTONA BEACH, FLORIDA		U. S. ARMY ENGINEER DISTRICT, SAVANNAH CORPS OF ENGINEERS SAVANNAH, GEORGIA	
REGIONAL SEWAGE FACILITIES POLYMER FEED BUILDING - PLANS, SECTIONS & DETAILS			
HINESVILLE / FT. STEWART		GEORGIA	
SIZE	INVITATION NO.	DRAWING NO.	PLATE
F	DACA-21-83-B-0056	832-40-01	S-45
SYMBOL		ZONE	REVISIONS
DESCRIPTION		DATE	BY
SCALE: AS NOTED		SHEET 106	