

## ADDENDUM NUMBER THREE

### DUPONT PUMP STATION AND BASIN IMPROVEMENTS – PHASE 2 (Contract B) W-12-026-203

#### CITY OF CHATTANOOGA, TENNESSEE

The following changes shall be made to the Contract Documents, Specifications, and Drawings:

#### I. CONTRACT DOCUMENT

- Delete Section 00 21 13 Article 15 paragraph 15.01.E Certification By Proposed Prime or Subcontractor Regarding Equal Employment Opportunity
- Delete Section 00 21 13 Article 15 paragraph 15.01.F Certification Regarding Debarment, Suspension and Other Responsibility Matters.
- Replace 00 41 00 Bid Form with the attached.
- Replace 00 12 16 Sequence of Construction with the attached.
- Replace Sheet CD-4 with the attached.
- Replace Note 3 in Detail A on Sheet CD-2 with “#57 granular fill pipe bedding for DIP, #7 compacted granular fill pipe bedding for FRP. For FRP #7 compacted granular fill shall be installed 12” below pipe.”.
- Replace Note 4 in Detail A on Sheet CD-2 with “Select common soils per specifications maximum 6” lifts for DIP, #7 compacted granular fill pipe bedding for FRP.”.

#### II. Q&A/COMMENTS

*Note: Duplicate questions were provided by several potential bidders. While wording varied slightly, duplicates have been removed.*

1. The Railroad Permit says that the one time payment of \$38,000 will cover the Railroad Protective Liability Insurance for the project. Does this mean that the contractor is not responsible for obtaining Railroad Protective Liability Insurance for this bid or is the contractor responsible for obtaining the \$2,000,000/\$6,000,000 mentioned on page 4 of the Railroad Agreement?

Response: The Contractor is responsible for obtaining the protective liability insurance but is not responsible for the one-time payment.

2. Per Bid Form 00 41 00-6 article 7 attachments to bid: 7.01 items:  
F. Certification by proposed Prime or subcontractor regarding Equal Employment opportunity  
G. Certification Regarding Debarment, Suspension & other responsibility matters  
\*these 2 forms are not included in the current spec book/bid package. Can you please provide?

Response: These forms are not required. Revised Bid Form is attached.

3. Addendum 2 states that the contractor is to remove an abandoned pump station at STA 30+75 on sheet C-5 but there is no information for it on the plans. Can you provide information for this station that is to be removed?

Response: There are no record drawings available for this existing pump station.

4. Addendum 2 added FRP pipe to the bid schedule. The new subtotals include DIP without FRP and FRP without DIP. Will the owner choose which pipe type that he wants based upon these subtotals and award accordingly? Will only one pipe type be used depending upon which subtotal is chosen? Are there any different or special bedding/enveloping requirements required for FRP in lieu of DIP?

Response: Sheet CD-2 trench detail has been revised for FRP. Bid Form has been revised to indicate DIP as the base bid and FRP as a bid alternate. For bidding purposes only DIP or FRP will be selected.

5. Will there be additional information regarding the fiberglass pipe option? Looking for a pipe bedding detail, I've looked at your standard specs and do not see a detail for FRP. Typically there is a difference in DIP and FRP.

Response: Sheet CD-2 trench detail has been revised for FRP.

6. Also, in regards the force main bypass pumping, what will the allowable downtime for the force main be as we install the bypass system?

Response: The force main is only in use during wet-weather. The force main shall remain in service during wet-weather. Note that this does not require pumping, only temporary HDPE force main.

7. It was mentioned in question 11 that the flow data was added to Section 01 12 16. Searching the spec and addendum, I could not find any flow data related to the project. The bypass notes in the plans of addendum 2 state that we must use a 36" DR-21 pipe for the bypassing. This size pipe is limited in most rental fleets, not to mention having the quantity required for this project in DR26. Can you make an exception that will allow other sized pipe and pressure ratings as long as it handles the designed flow and pressure? I would most likely perform this bypassing with dual 24" pipes.

Response: See revised Section 01 12 16 attached to this addendum. Alternative bypass arrangements are acceptable provided they meet the flow and pressure requirements.

January 7, 2020

---

Justin C Holland, Administrator  
City of Chattanooga

**DUPONT PUMP STATION AND BASIN IMPROVEMENTS - PHASE 2  
(CONTRACT B)  
CONTRACT NUMBER W-12-026-203**

**ARTICLE 1 – BID RECIPIENT**

1.01 This Bid is submitted to:

City of Chattanooga, Tennessee  
Purchasing Department  
101 E. 11<sup>th</sup> Street, Suite G13  
Chattanooga, Tennessee 37402

1.02 The undersigned Bidder proposes and agrees, if this Bid is accepted, to enter into an Agreement with Owner in the form included in the Bidding Documents to perform all Work as specified or indicated in the Bidding Documents for the prices and within the times indicated in this Bid and in accordance with the other terms and conditions of the Bidding Documents.

**ARTICLE 2 – BIDDER’S ACKNOWLEDGEMENTS**

2.01 Bidder accepts all of the terms and conditions of the Instructions to Bidders, including without limitation those dealing with the disposition of Bid security. This Bid will remain subject to acceptance for period of time after the Bid opening as stated in the Advertisement for Bids, or for such longer period of time that Bidder may agree to in writing upon request of Owner.

**ARTICLE 3 – BIDDER’S REPRESENTATIONS**

3.01 In submitting this Bid, Bidder represents that:

A. Bidder has examined and carefully studied the Bidding Documents, the other related data identified in the Bidding Documents, and the following Addenda, receipt of which is hereby acknowledged.

<u>Addendum No.</u>	<u>Addendum Date</u>
_____	_____
_____	_____
_____	_____

B. Bidder has visited the Site and become familiar with and is satisfied as to the general, local and Site conditions that may affect cost, progress, and performance of the Work.

C. Bidder is familiar with and is satisfied as to all federal, state and local Laws and Regulations that may affect cost, progress and performance of the Work.

D. Bidder has carefully studied all: (1) reports of explorations and tests of subsurface conditions at or contiguous to the Site and all drawings of physical conditions relating to existing surface or subsurface structures at the Site (except Underground Facilities)

- that have been identified in SC-4.02 as containing reliable "technical data," and (2) reports and drawings of Hazardous Environmental Conditions, if any, at the Site that have been identified in SC-4.06 as containing reliable "technical data."
- E. Bidder has considered the information known to Bidder; information commonly known to contractors doing business in the locality of the Site; information and observations obtained from visits to the Site; the Bidding Documents; and the Site-related reports and drawings identified in the Bidding Documents, with respect to the effect of such information, observations, and documents on (1) the cost, progress, and performance of the Work; (2) the means, methods, techniques, sequences, and procedures of construction to be employed by Bidder, including applying the specific means, methods, techniques, sequences, and procedures of construction expressly required by the Bidding Documents; and (3) Bidder's safety precautions and programs.
  - F. Based on the information and observations referred to in Paragraph 3.01.E above, Bidder does not consider that further examinations, investigations, explorations, tests, studies, or data are necessary for the determination of this Bid for performance of the Work at the price(s) bid and within the times required, and in accordance with the other terms and conditions of the Bidding Documents.
  - G. Bidder is aware of the general nature of work to be performed by Owner and others at the Site that relates to the Work as indicated in the Bidding Documents.
  - H. Bidder has given Engineer written notice of all conflicts, errors, ambiguities, or discrepancies that Bidder has discovered in the Bidding Documents, and the written resolution thereof by Engineer is acceptable to Bidder.
  - I. The Bidding Documents are generally sufficient to indicate and convey understanding of all terms and conditions for the performance of the Work for which this Bid is submitted.
  - J. Where this Bid Form contains the provision for a bid based on a lump sum price, the Bidder shall be responsible for having prepared its own estimate of the quantities necessary for the satisfactory completion of the Work specified in these Contract Documents and for having based the lump sum price bid on its estimate of quantities.

#### **ARTICLE 4 – BIDDER'S CERTIFICATION**

4.01 Bidder certifies that:

- A. This Bid is genuine and not made in the interest of or on behalf of any undisclosed individual or entity and is not submitted in conformity with any collusive agreement or rules of any group, association, organization, or corporation;
- B. Bidder has not directly or indirectly induced or solicited any other Bidder to submit a false or sham Bid;
- C. Bidder has not solicited or induced any individual or entity to refrain from bidding; and
- D. Bidder has not engaged in corrupt, fraudulent, collusive, or coercive practices in competing for the Contract. For the purposes of this Paragraph 4.01.D:

1. "corrupt practice" means the offering, giving, receiving, or soliciting of anything of value likely to influence the action of a public official in the bidding process;
2. "fraudulent practice" means an intentional misrepresentation of facts made (a) to influence the bidding process to the detriment of Owner, (b) to establish bid prices at artificial non-competitive levels, or (c) to deprive Owner of the benefits of free and open competition;
3. "collusive practice" means a scheme or arrangement between two or more Bidders, with or without the knowledge of Owner, a purpose of which is to establish bid prices at artificial, non-competitive levels; and
4. "coercive practice" means harming or threatening to harm, directly or indirectly, persons or their property to influence their participation in the bidding process or affect the execution of the Contract.

**ARTICLE 5 – BASIS OF BID**

5.01 Bidder will complete the Work in accordance with the Contract Documents for the following price(s):

Item No.	Description	Estimated Qty.	Unit	Unit Price	Total Price
<b>Mobilization/Demobilization</b>					
1	Mobilization/Demobilization	1	LS	\$	\$
<b>Demolition</b>					
2	Demolition – Structures & Underground Piping	1	LS	\$	\$
3	Abandon & Grout Fill Existing 36" RCP Gravity Sewer including Plugging Existing 36" RCP	1700	CY	\$	\$
4	Abandon & Grout Fill Existing 30" RCP Gravity Sewer	20	CY	\$	\$
5	Abandon & Grout Fill Existing 30" DIP Forcemain	1200	CY	\$	\$
<b>Site Grading</b>					
6	Fill to Meet Minimum 36" Cover Requirement	4,500	CY	\$	\$
<b>Sanitary Sewer Pipe</b>					
7	48-Inch DI (Class 250)	6,180	LF	\$	\$
8	48-Inch FRP (SN 72)	6,180	LF	\$	\$
9	8-inch DI (Class 250)	37	LF	\$	\$
10	16-inch DI (Class 250)	60	LF	\$	\$
11	36-inch DI (Class 250)	46	LF	\$	\$
12	60" Steel Casing	110	LF	\$	\$
13	Railroad Jack and Bore	1	LS	\$	\$
14	Launch and Exit Shafts	475	CY	\$	\$
<b>Sanitary Sewer Manholes</b>					
15	4' Dia. MH	2	EA	\$	\$
16	5' Dia. MH	1	EA	\$	\$
17	6' Dia. MH	16	EA	\$	\$
18	8' Dia. MH	1	EA	\$	\$
19	9' Dia. MH	1	EA	\$	\$
20	Manhole Vents	4	EA	\$	\$
21	Drop Connections	2	EA	\$	\$
22	Watertight Lids	13	EA	\$	\$
<b>Additional Construction</b>					
23	Additional Construction Not Otherwise Covered by Line Items	1	LS	\$	\$

24	Stream Crossing	2	LS	\$	\$
25	Temporary HDPE Forcemain, Connections to Existing Forcemain, Valves, Couplings, etc. from STA 00+30 to STA 13+50, STA 54+10 and STA 60+00.	1	LS	\$	\$
26	Temporary HDPE Forcemain, Connections to Existing Forcemain, Valves, Couplings, Temporary Flow Meter, etc. at Existing Dupont Pump Station	1	LS	\$	\$
27	Soil, Concrete and Materials Testing	Allowance			\$ 25,000
28	Construction Verification Surveying	Allowance			\$ 10,000
29	All Reimbursed Railroad Costs	Allowance			\$ 50,000
<b>Extra Items</b>					
30	6" Concrete Encasement	65	LF	\$	\$
BASE BID SUBTOTAL for 48-Inch DI (Class 250) Option (Summation of Bid Items 1 through 7 and 9 through 30)				\$ _____	
_____ In Words					
ALTERNATIVE BID SUBTOTAL for 48-Inch FRP (SN 72) Option (Summation of Bid Items 1 through 6 and 8 through 30)				\$ _____	
_____ In Words					

Unit Prices have been computed in accordance with Paragraph 11.03.B of the General Conditions.

Bidder acknowledges that estimated quantities are not guaranteed, and are solely for the purpose of comparison of Bids, and final payment for all Unit Price Bid items will be based on actual quantities, determined as provided in the Contract Documents.

**ARTICLE 6 – TIME OF COMPLETION**

6.01 Bidder agrees that the Work will be substantially complete and will be completed and ready for final payment in accordance with Paragraph 14.07 of the General Conditions on or before the dates or within the number of calendar days indicated in the Agreement.

6.02 Bidder accepts the provisions of the Agreement as to liquidated damages.

**ARTICLE 7 – ATTACHMENTS TO THIS BID**

7.01 The following documents are submitted with and made a condition of this Bid:

- A. Statement of Bidders Qualifications
- B. Affidavit of No Collusion by Prime Bidder
- C. Drug-Free Workplace Affidavit
- D. Iran Divestment Act Compliance Certification
- E. Attestation Regarding Personnel Used in Contract Performance

**ARTICLE 8 – DEFINED TERMS**

8.01 The terms used in this Bid with initial capital letters have the meanings stated in the Instructions to Bidders, the General Conditions, and the Supplementary Conditions.



**ARTICLE 9 – BID SUBMITTAL**

9.01 This Bid submitted by:

An Individual

Name (typed or printed): \_\_\_\_\_

By: \_\_\_\_\_ (SEAL)

*(Individual's signature)*

Doing business as: \_\_\_\_\_

Attest: \_\_\_\_\_

*(Notary)*

Name (typed or printed): \_\_\_\_\_

A Partnership

Partnership Name: \_\_\_\_\_ (SEAL)

By: \_\_\_\_\_

*(Signature of general partner – attach evidence of authority to sign)*

Name (typed or printed): \_\_\_\_\_

Attest: \_\_\_\_\_

*(Signature of another Partner)*

Name (typed or printed): \_\_\_\_\_

A Corporation

Corporation Name: \_\_\_\_\_ (SEAL)

State of Incorporation: \_\_\_\_\_

Type (General Business, Professional, Service, Limited Liability): \_\_\_\_\_

By: \_\_\_\_\_

*(Signature)*

Name (typed or printed): \_\_\_\_\_

Title: \_\_\_\_\_

**(CORPORATE SEAL)**

Attest: \_\_\_\_\_

*(Signature of Corporate Secretary)*

Name (typed or printed): \_\_\_\_\_

Date of Qualification to do business in Tennessee is \_\_\_\_\_

A Joint Venture

Name of Joint Venturer: \_\_\_\_\_

First Joint Venturer Name: \_\_\_\_\_ (SEAL)

By: \_\_\_\_\_  
(Signature of first joint venture partner)

Name (typed or printed): \_\_\_\_\_

Title: \_\_\_\_\_

Second Joint Venturer Name: \_\_\_\_\_ (SEAL)

By: \_\_\_\_\_  
(Signature of second joint venture partner)

Name (typed or printed): \_\_\_\_\_

Title: \_\_\_\_\_

(Each joint venturer must sign. The manner of signing for each individual, partnership, and corporation that is a party to the joint venture should be in the manner indicated above.)

**All Bidders shall complete the following:**

Bidder's Business address: \_\_\_\_\_  
\_\_\_\_\_

Phone: \_\_\_\_\_ Facsimile: \_\_\_\_\_

Primary Contact: \_\_\_\_\_

E-mail: \_\_\_\_\_

Submitted on \_\_\_\_\_, 201\_\_.

State Contractor License No. \_\_\_\_\_.

This document was prepared in part from material (EJCDC C-410 Suggested Bid Form for Construction Contracts) which is copyrighted as indicated below:

Copyright © 2007 National Society of Professional Engineers  
1420 King Street, Alexandria, VA 22314-2794  
(703) 684-2882  
[www.nspe.org](http://www.nspe.org)

American Council of Engineering Companies  
1015 15th Street N.W., Washington, DC 20005  
(202) 347-7474  
[www.acec.org](http://www.acec.org)

American Society of Civil Engineers  
1801 Alexander Bell Drive, Reston, VA 20191-4400  
(800) 548-2723  
[www.asce.org](http://www.asce.org)

Associated General Contractors of America  
2300 Wilson Boulevard, Suite 400, Arlington, VA 22201-3308  
(703) 548-3118  
[www.agc.org](http://www.agc.org)

The copyright for this EJCDC document is owned jointly by the four EJCDC sponsoring organizations and held in trust for their benefit by NSPE

## PART 1 GENERAL

### 1.01 SITE CONDITIONS

- A. Several areas of construction under this contract must be coordinated with the Pump Station operation and accomplished in a logical order to maintain the process flow through the Wet Weather Pump Station to allow construction to be completed within the time allowed by Contract Documents. The existing DuPont Pump Station will be maintained in continuous operation by the Owner during the entire construction period.
- B. When access through construction areas must be disrupted, provide alternate acceptable access for the plant operators or other contractors.
- C. Coordinate the activities in the interface or common areas with other contractors and the operators. Submit to the Engineer a description and schedule as to how the common areas will be utilized, recognizing the required coordination with other contractors and the plant operators.
- D. Various interconnections within the scope of work will depend on the closure of various valves and gates. Many of these valves and gates are old and may not seal properly. Coordinate with the Owner and Engineer to request any such closure and provide any corrective measure of temporary facilities necessary to attain the shut off needed to perform the work without interrupting operations.
- E. Various interconnections within the scope of work may require temporary partial power shutdown. Make every effort necessary to minimize the shutdown time and coordinate with the Owner and/or utility authorities prior to attempting any such power shutdown.
- F. When the work requires an existing facility to be taken out of operation, temporarily or permanently, notify the Engineer and plant operators two weeks in advance. Mandatory shutdown and switchover meetings between the Contractor, Owner and Engineer shall be held to review each outage request prior to approval of any outage. The outage request shall include a complete description of work involved, the equipment affected, date and times, duration of outage and include a list of required materials, parts, etc. and that these are on the project site(s).
- G. Where water is required in large quantity for preoperational testing or other use, purchase it from the Tennessee American Water Company. Pay all fees and water usage charges.
- H. During Start Up Testing, make available the manpower, equipment and manufacturer's representatives required to make any necessary adjustments and training.
- I. In addition to the project schedule requirements listed in Section 01 32 16, the Contractor shall develop a detailed description of the complete sequence of construction. The sequence shall be submitted to the Engineer and Owner for review and approval thirty (30) days following the execution of the Contract Agreement.

## 1.02 GENERAL OPERATING REQUIREMENTS, CONSTRAINTS, AND CONSTRUCTION REQUIREMENTS

### A. Access to Site, Roadways, and Parking Areas

1. An unobstructed traffic route through the site shall be maintained at all times for the Owner's operations and maintenance personnel and equipment. Parking for personal vehicles of construction personnel shall be restricted to approved areas.
2. The Contractor shall provide temporary measures to protect the existing pavement by filling over with earthen material or supplying other measures acceptable to the Engineer. The Contractor shall repair any damage to existing paved surfaces that occurs during the construction period. Any areas disturbed along the shoulders of the access roads and interior roads and elsewhere shall be repaired, graded, seeded, etc. as necessary to match pre-existing conditions.
3. The Contractor shall not undertake the restoration/construction of new roadway (paved, gravel, or asphalt overlay) shown on the Contract Drawings, until all other work improvements has been completed.

### B. Personnel Access

1. Owner's personnel shall have access to all areas which remain in operation throughout the construction period. The Contractor shall locate stored material, dispose of construction debris and trash, provide temporary walkways, provide temporary lighting, and other such work as directed by the Engineer to maintain personnel access to areas in operation. Access and adequate parking areas for Owner personnel must be maintained throughout construction.

### C. Plumbing Facilities

1. Unless otherwise allowed by the Engineer, sanitary facilities in the existing structures shall be operational at all times for plant operating personnel. All other building plumbing systems such as roof and floor drains, pumping, etc., shall be maintained for all structures.

### D. Building Heating and Ventilating

1. Building heating and ventilating for the existing plant structures shall be in service for the entire construction period. Additional temporary heating and ventilation shall be provided as required to maintain facilities under construction adequately heated and vented. The temperatures to be maintained in any areas occupied by plant operating personnel shall be at least 65°F.

### E. Power, Light and Communications Systems (General)

1. Electric power, lighting service and communications systems shall be maintained in uninterrupted operation in all areas which remain in operation. Individual units may be disconnected as required for replacement, but service shall be available

at all times including periods when plant elements are out of service. Shutdown of electrical facilities shall be limited to not more than five (5) hours. The Owner may allow longer outages under conditions determined by the Owner by making use of the existing and/or temporary engine-generator. All costs associated with operation of the engine-generators shall be paid by the Contractor. The Electrical Subcontractor shall coordinate shutdowns required with the Contractor to minimize the total number of shutdowns required to complete construction. Owner's phone service shall be maintained in continuous operation during construction. All power shutdowns and switchovers shall be requested in writing to the Engineer for approval. No shutdown shall compromise Owner operations. Shutdowns shall be limited to the constraints specified herein and as indicated on the drawings. When required by Owner, the Contractor shall restore power and operations during any shutdown in order to maintain pumping requirements.

#### F. Draining Process Pipes and Conduits (General)

1. The contents of all pipes and conduits to be removed, replaced or relocated (or dewatered for a specific purpose) shall be transferred to a suitable facility in a manner approved by the Owner through hoses or piping, or by using pumps if hydraulic conditions so require them. The Contractor shall provide the pumps, piping and hoses at no additional cost to the Owner. No uncontrolled spillage of a pipe or conduit shall be permitted.

#### G. Potable Water System

1. Potable water service shall be maintained in continuous service at all times during construction except for short term interruptions required for tie-ins. Shutdown of the potable water system shall be fully planned and coordinated with the Owner and shall be limited to not more than two (2) hours. Any existing fire hydrants within the site shall be operational at all times.

#### H. Sump Pumps and Sumps

1. All existing sumps shall be maintained in an operable condition with either existing pumps or temporary pumps. Interim piping, power and controls shall be provided as required by the staged construction sequence.

#### I. Seal Water and Service Water Piping

1. A supply of service and seal water and the necessary connections to existing equipment shall be maintained during construction. Interim piping shall be provided as required.

### 1.03 SPECIFIC CONSTRUCTION CONSTRAINTS

- A. The following is a list of constraints to consider in developing the overall plan of construction. This list is not intended to release the Contractor from the responsibility to coordinate the work in any manner which will ensure uninterrupted operation of the Wet Weather Pump Station and project completion within the time allowed. The following

areas are not necessarily listed in their required sequence of construction. A suggested sequence within each area, where necessary, is included.

- B. Currently, the existing 30" force main and 36" gravity sewer shown are shown on the Drawings. The Existing force main and gravity sewer generally flow from east to west.
- C. The Contractor is to install all new structures and equipment to the extent possible without disrupting operations listed in paragraph B above. Both pipelines shall be in service at all times or flows will need to be bypassed. It is anticipated that the following bypass instances will be required (However, more or less instances may be required depending on the Contractor's actual sequence of construction):
  - a. Installation of proposed 48" gravity sewer from STA 0+50 to STA 13+50 will require the installation of a temporary HDPE force main due to conflicts with the existing 30" DI force main.
  - b. Installation of proposed 48" gravity sewer near STA 54+00 to STA 54+30 will require the installation of a temporary HDPE force main due to conflicts with the existing 30" DI force main.
  - c. Installation of proposed 48" gravity sewer near the existing Dupont pump station will require the installation of a temporary HDPE force main due to conflicts with the existing 30" DI force main and flow meter vault.
  - d. Installation of proposed 48" gravity sewer near STA 61+25 will require bypass pumping due to conflicts with the existing 36" DI gravity sewer. The maximum bypass flow is 15 mgd.
  - e. Installation of MH – V (maximum bypass flow = 26 mgd)
  - f. Installation of MH – Y (maximum bypass flow = 26 mgd)
  - g. Installation of MH – X (maximum bypass flow = 4 mgd)
  - h. Installation of MH – W (maximum bypass flow = 4 mgd)
- D. Once all structures, equipment, and piping associated with the items listed in paragraph C, including any related plumbing, electrical, and instrumentation equipment, are complete, tested, and ready to be put into service, the Contractor shall notify the Owner and Engineer to schedule a coordination meeting where the sequence of connection to existing structures will be reviewed and discussed.
- E. The existing Dupont pump station shall remain in service until the acceptance of the new facilities. Following acceptance by the Owner and Engineer, the Contractor can proceed with the Demolition of the existing Dupont Pump Station.
- F. Any specific work not listed above that is required for the completion of the project shall be included in the Contractor's proposed scheduled and coordinated with the Owner and Engineer.

## PART 2 PRODUCTS (NOT USED)

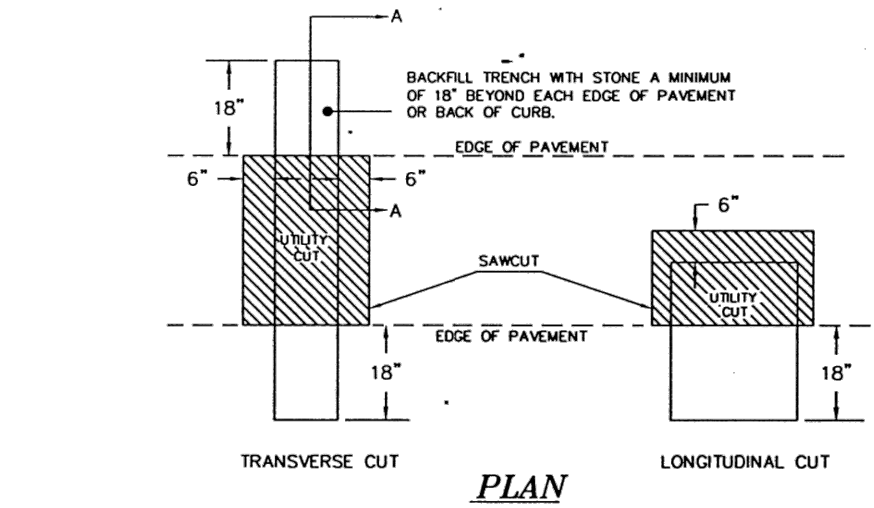
## PART 3 EXECUTION (NOT USED)

END OF SECTION

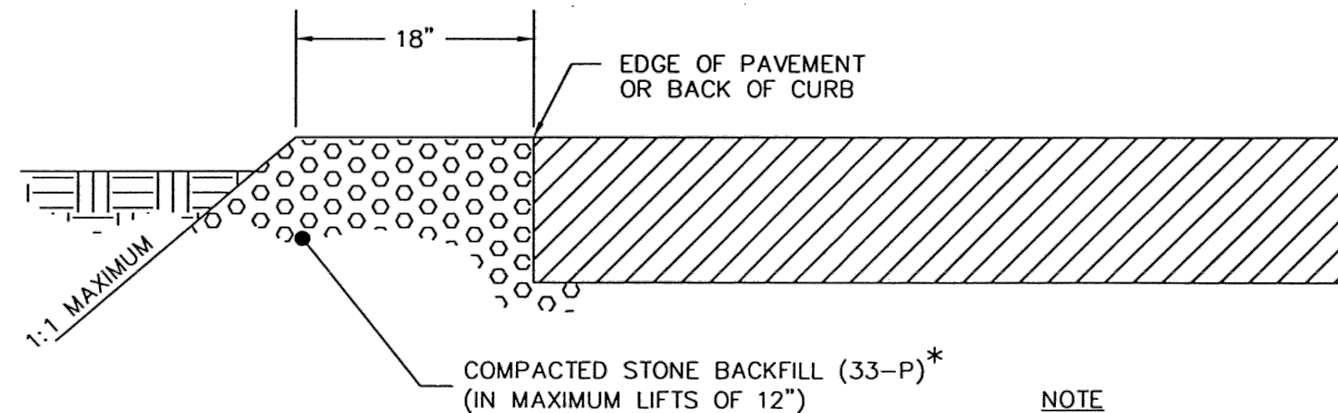


CREATED: 11/20/2019 LAST SAVED: 1/7/2020 BY: BEELEREW PLOT DATE: 1/7/2020 © 2019 CDM SMITH ALL RIGHTS RESERVED. REUSE OF DOCUMENTS, THESE DOCUMENTS AND DESIGNS PROVIDED BY PROFESSIONAL SERVICE, INCORPORATED HEREIN, ARE THE PROPERTY OF CDM SMITH AND ARE NOT TO BE USED, IN WHOLE OR PART, FOR ANY OTHER PROJECT WITHOUT THE WRITTEN AUTHORIZATION OF CDM SMITH.

F:\STDDWG\REPAIR DETAILS\REPDET\ROADWAY\_2.dwg Mod Dec 08 15:46:34 1999 STATIONS 24



NOTE  
WHERE PRACTICAL, TRANSVERSE CUTS SHALL BE PERPENDICULAR TO THE PAVEMENT CENTERLINE, AND LONGITUDINAL CUTS SHALL BE PARALLEL TO IT.

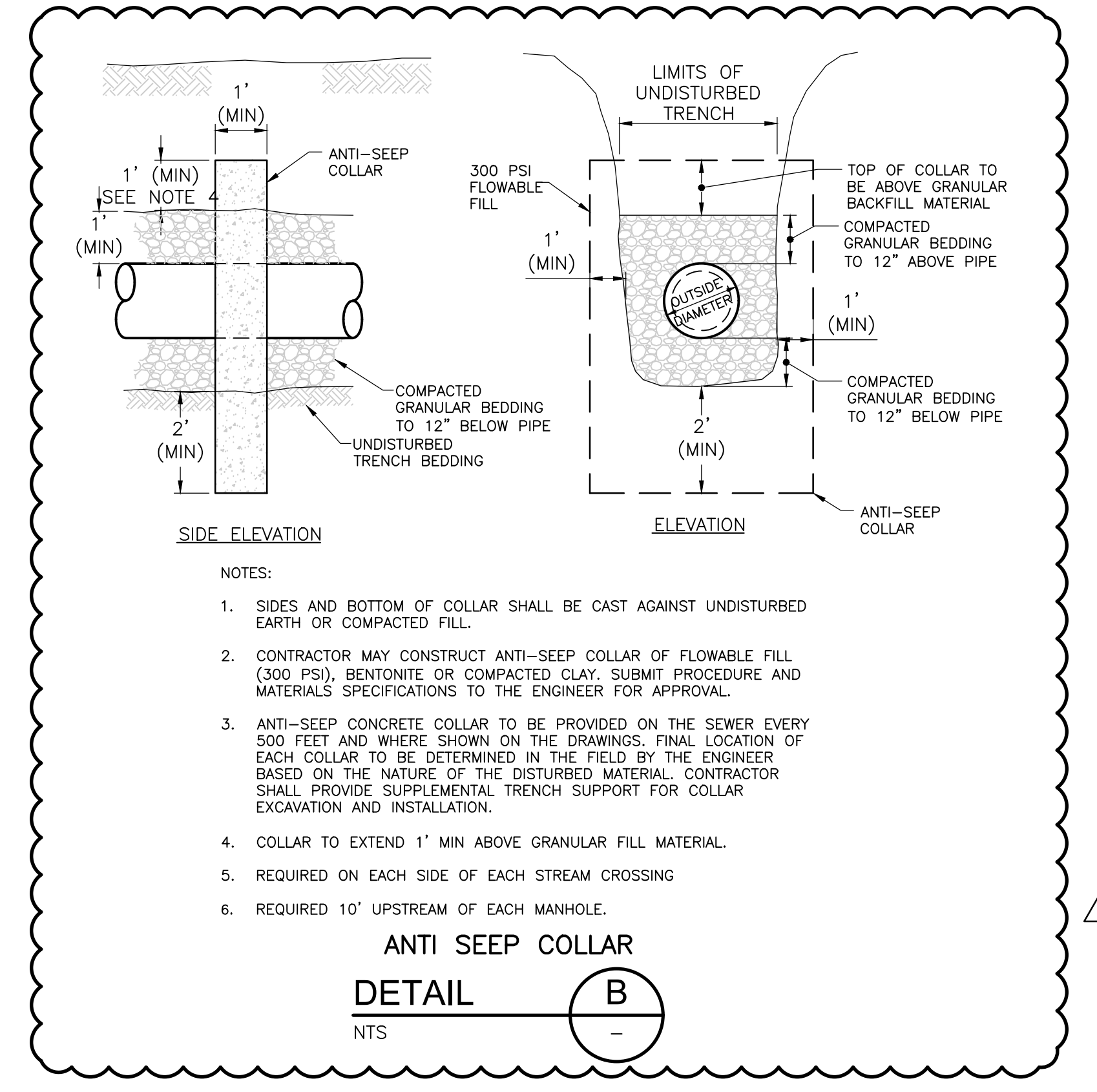


NOTE  
ALL EXCAVATED, GRASS-COVERED SHOULDERS MUST BE LEVELED, AND THEN HAVE TOP SOIL AND SEED ADDED. ALL AREAS ON SHOULDERS USED FOR PARKING MUST BE BACKFILLED TO THE TOP WITH CRUSHED STONE (33-P). \*

\* "33-P (PUG)" - 303-01, TYPE A, GRADING D ("33-P"), TENNESSEE D.O.T. SPECIFICATIONS.

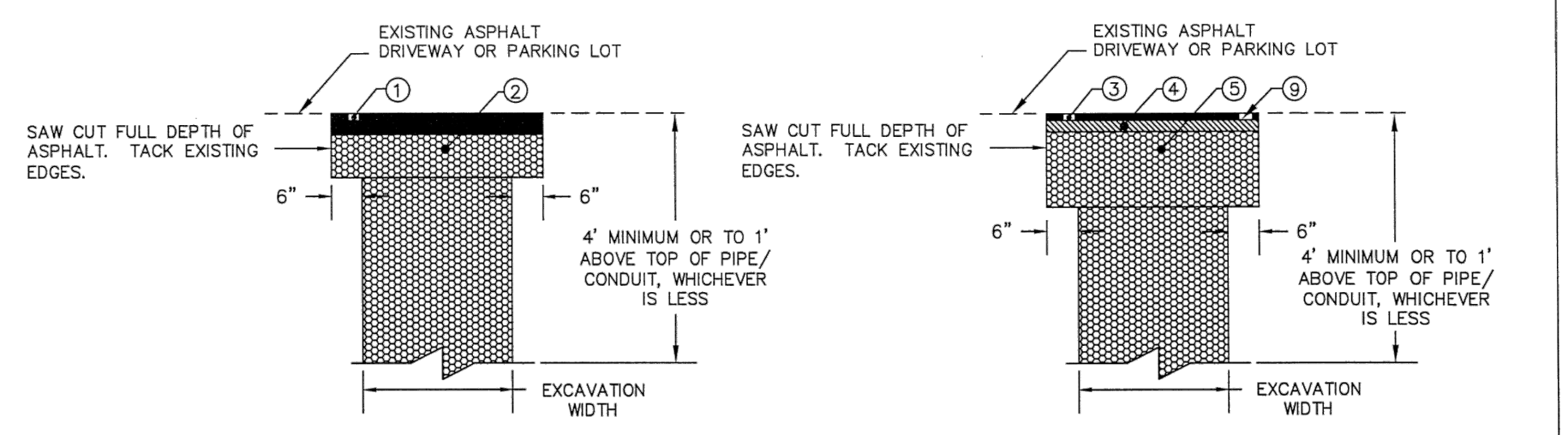
CITY OF CHATTANOOGA AND HAMILTON COUNTY  
REPAIR DETAILS (ROADWAY)

NO.	INITIAL ISSUE	DATE	DATE OF ORIGINAL ISSUE	STANDARD NUMBER
0	REVISION	12/10/99	DECEMBER 10, 1999	SD-700.02

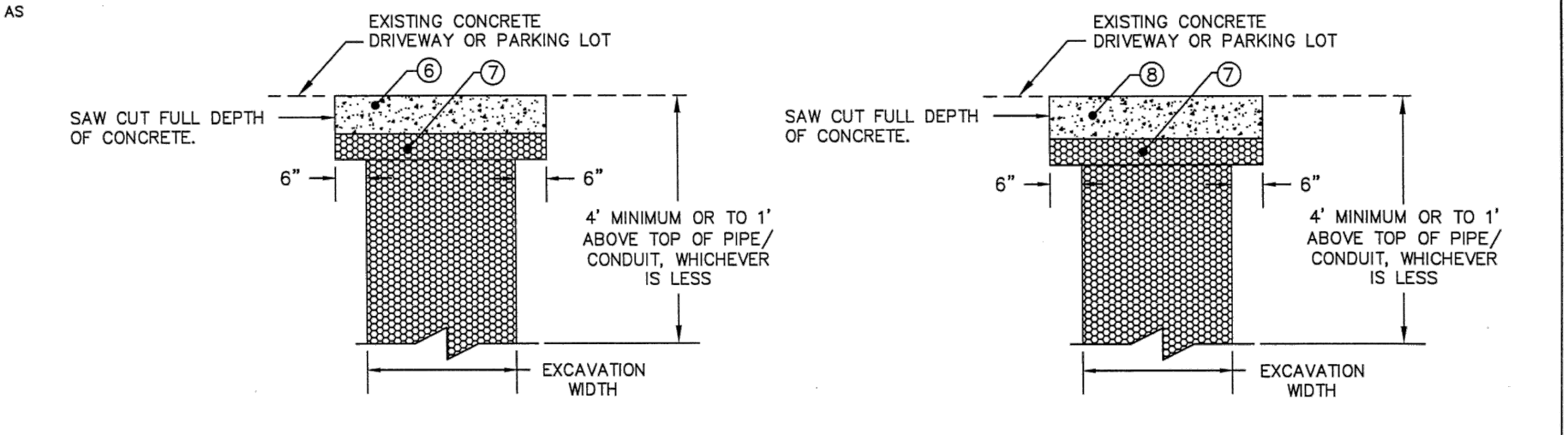


- NOTES:
- SIDES AND BOTTOM OF COLLAR SHALL BE CAST AGAINST UNDISTURBED EARTH OR COMPACTED FILL.
  - CONTRACTOR MAY CONSTRUCT ANTI-SEEP COLLAR OF FLOWABLE FILL (300 PSI), BENTONITE OR COMPACTED CLAY. SUBMIT PROCEDURE AND MATERIALS SPECIFICATIONS TO THE ENGINEER FOR APPROVAL.
  - ANTI-SEEP CONCRETE COLLAR TO BE PROVIDED ON THE SEWER EVERY 500 FEET AND WHERE SHOWN ON THE DRAWINGS. FINAL LOCATION OF EACH COLLAR TO BE DETERMINED IN THE FIELD BY THE ENGINEER BASED ON THE NATURE OF THE DISTURBED MATERIAL. CONTRACTOR SHALL PROVIDE SUPPLEMENTAL TRENCH SUPPORT FOR COLLAR EXCAVATION AND INSTALLATION.
  - COLLAR TO EXTEND 1' MIN ABOVE GRANULAR FILL MATERIAL.
  - REQUIRED ON EACH SIDE OF EACH STREAM CROSSING
  - REQUIRED 10' UPSTREAM OF EACH MANHOLE.

- DRAWING NOTES
- 2" TYPE "E" ASPHALTIC SURFACE MIX
  - 6" STONE BASE (33-P)\*, 95% STANDARD PROCTOR
  - 1 1/2" TYPE "E" ASPHALTIC SURFACE MIX
  - 2 1/2" MODIFIED "B" ASPHALTIC BINDER
  - 10" STONE BASE (33-P)\*, 95% STANDARD PROCTOR
  - 6" CLASS "A" CONCRETE, 4,000 P.S.I. MINIMUM
  - 4" STONE BASE (33-P)\*, 95% STANDARD PROCTOR
  - 6" CLASS "A" CONCRETE, 4,000 P.S.I. MINIMUM
  - TACK COAT - 0.05 GAL./S.Y., AC 20



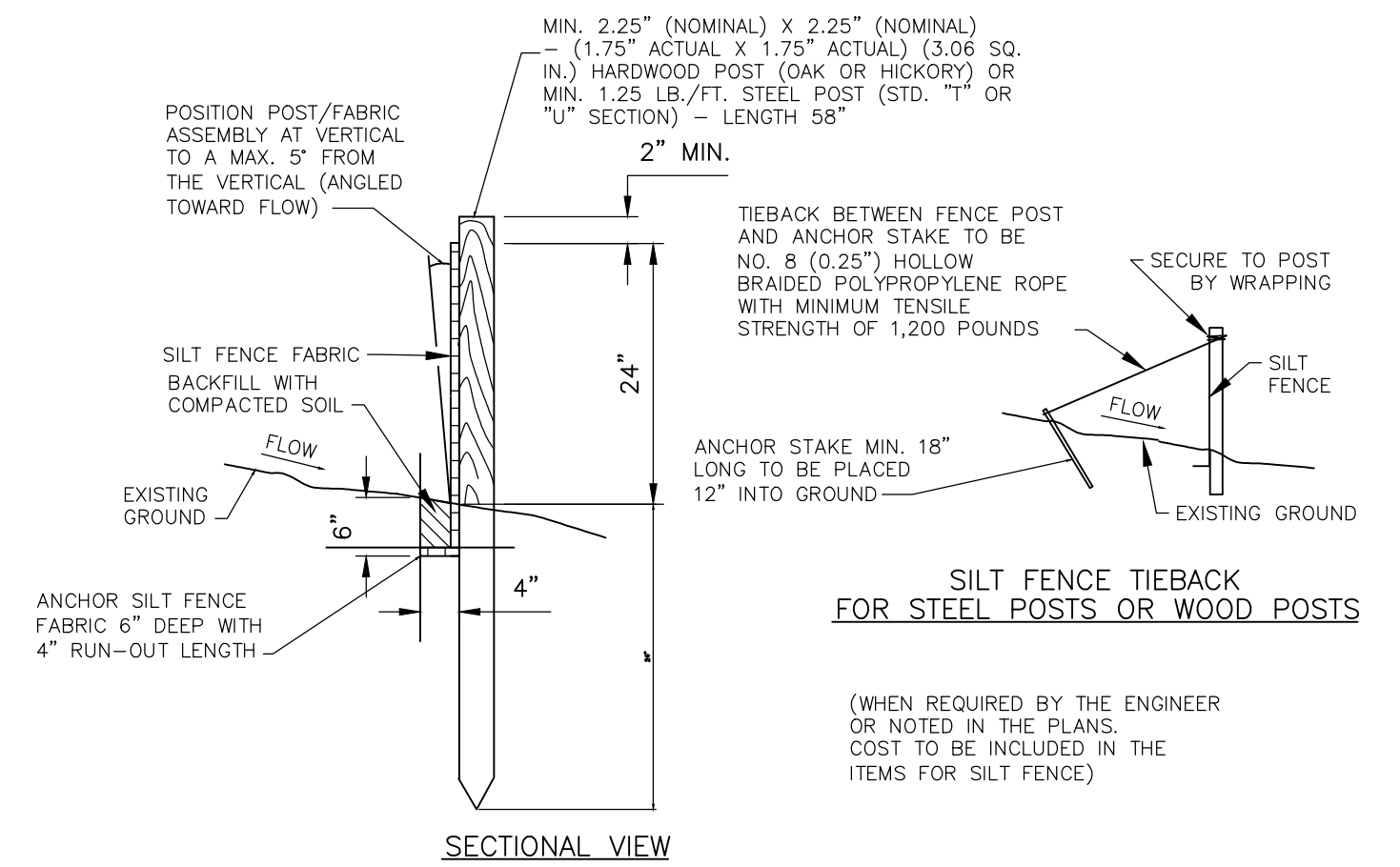
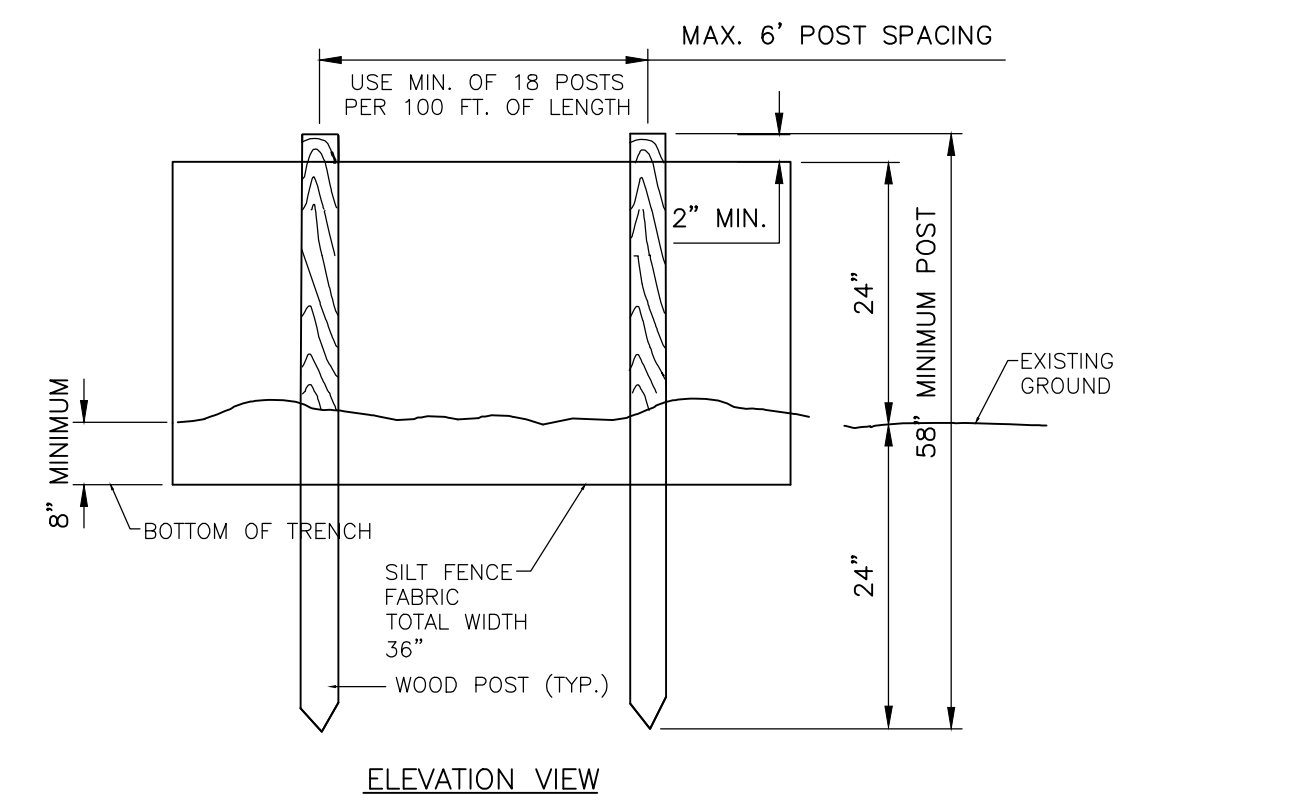
- GENERAL REQUIREMENTS
- SEE SD-307.01, SD-308.01, AND SD-308.02 FOR BACKFILL REQUIREMENTS FOR THE TRENCH BELOW THE SURFACE.
  - SURFACE REPAIR SHALL BE DONE TO A SAWCUT EDGE 6" BEYOND THE TRENCH ON ALL SIDES OF THE REPAIR.
  - ALL REPAIRS SHALL MEET THE MINIMUM REQUIREMENTS AS SHOWN ON THIS DRAWING OR THOSE REQUIREMENTS OF PRESENT CONDITIONS, WHICHEVER IS GREATER.



\* "33-P (PUG)" - 303-01, TYPE A, GRADING D ("33-P"), TENNESSEE D.O.T. SPECIFICATIONS

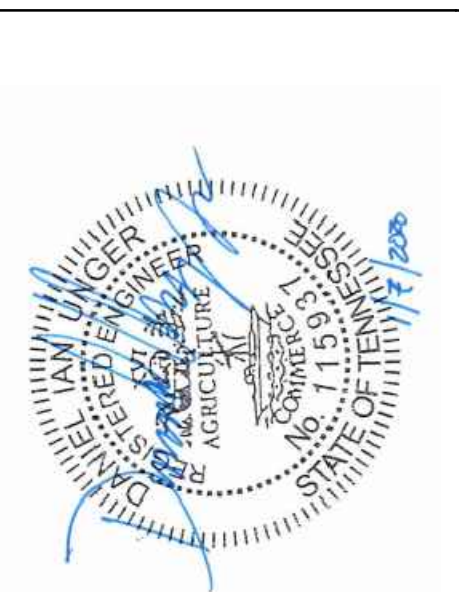
CITY OF CHATTANOOGA AND HAMILTON COUNTY  
REPAIR DETAILS (DRIVEWAY/PARKING LOT)

NO.	INITIAL ISSUE	DATE	DATE OF ORIGINAL ISSUE	STANDARD NUMBER
0	REVISION	12/10/99	DECEMBER 10, 1999	SD-703.01



SILT FENCE  
DETAIL A

STRUCTURE NAME	STRUCTURE NORTHING	STRUCTURE EASTING
D	278758.3743	2188645.1689
E	278746.3455	2188681.0591
F	278877.1843	2189025.9169
G	279081.0718	2189568.6283
H	279189.9011	2189857.7908
I	279640.0758	2190108.7822
J	280011.8461	2190265.2123
K	280435.4814	2190152.6617
L	280591.7295	2190111.1500
M	280964.7626	2190320.6054
N	281211.5438	2190764.5997
O	281368.5845	2190776.6195
P	281945.1266	2190820.8028
Q	282240.6915	2190843.4206
R	282504.4498	2190861.7867
S	282799.1346	2190882.3053
T	282764.4042	2191381.0977
U	282757.9887	2191663.3904
V	282790.7329	2191708.4599
Y	282840.3233	2190901.7957



DUPONT PUMP STATION AND  
BASIN IMPROVEMENTS - PHASE 2 - CONTRACT B  
CITY OF CHATTANOOGA, TN  
CONSENT DECREE PROGRAM



REV	DATE	ADDENDUM NO. 3	REVISION DESCRIPTION
1	1/20		

THIS LINE IS ONE INCH LONG WHEN PLOTTED FULL SCALE  
THIS DRAWING MUST BE USED IN CONJUNCTION WITH THE APPLICABLE OR GOVERNING TECHNICAL SPECIFICATIONS AND OTHER CONTRACT DOCUMENTS.  
PROJECT NO: 129699-109746  
DATE: NOVEMBER 2019  
DISC. LEAD: DU DESIGNER: VF CHECKER: CF

SHEET TITLE  
CIVIL  
CIVIL DETAILS  
SHEET CD-4  
ISSUED FOR BID