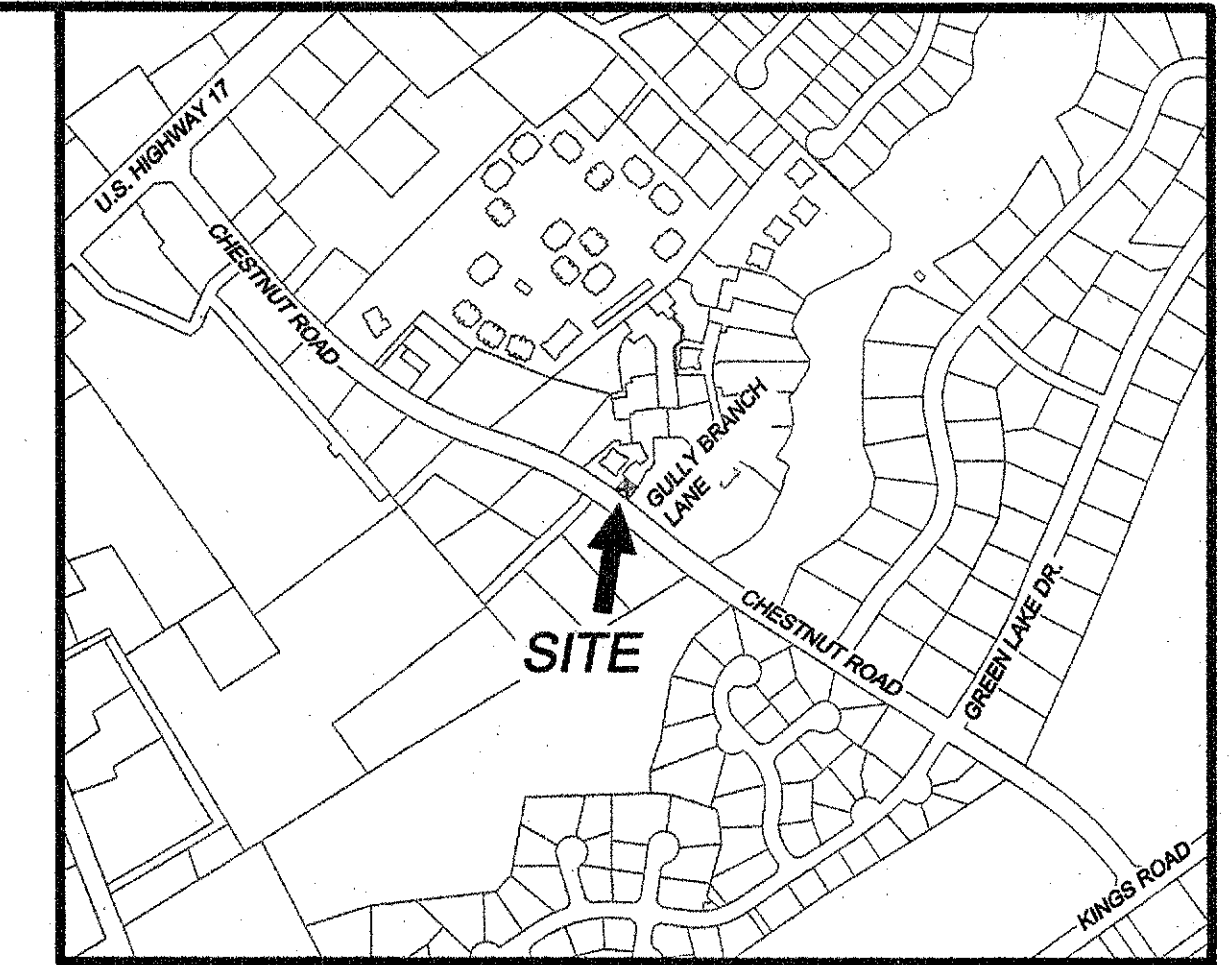


CONSTRUCTION PHASING		
PHASE	START DATE	COMPLETION DATE

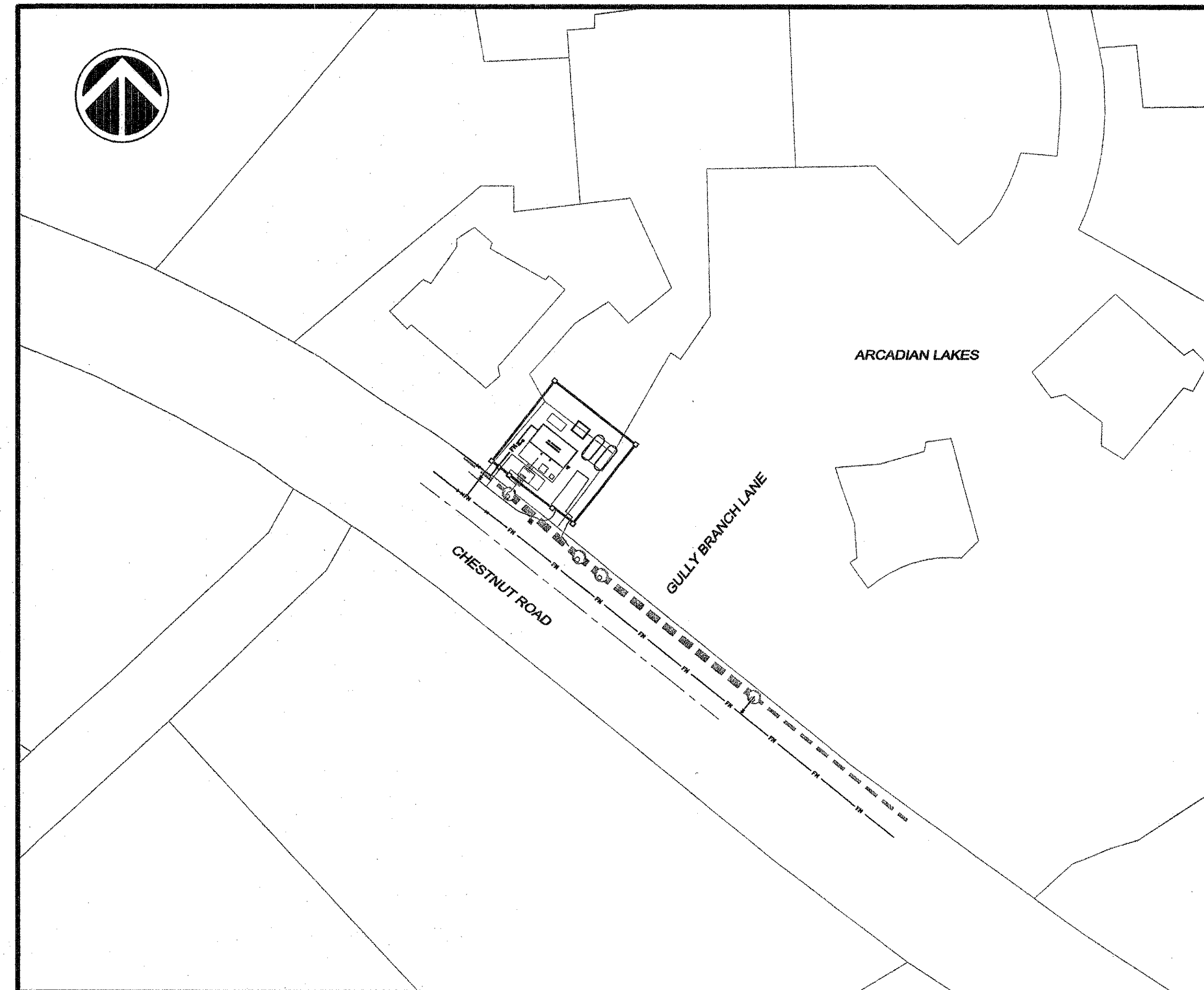
Construction Plans for CHESTNUT ROAD PUMP STATION UPGRADES



VICINITY MAP
N.T.S.

GENERAL NOTES:

- THE CONTRACTOR SHALL BE RESPONSIBLE FOR LOCATING EXISTING UTILITIES AND FOR REPAIRING ANY DAMAGE TO SAME. UTILITY LOCATIONS AS SHOWN ON THE PLANS ARE APPROXIMATE AND MAY NOT BE COMPLETE. THE CONTRACTOR SHALL CONTACT ALL UTILITY COMPANIES THAT MAY HAVE SERVICE IN THE AREA FOR AN ACCURATE LOCATION PRIOR TO BEGINNING WORK.
- WORK WITHIN PUBLIC RIGHT-OF-WAYS OR PRIVATE EASEMENTS SHALL BE ACCOMPLISHED BY THE CONTRACTOR ACCORDING TO THE REQUIREMENTS OR CONDITIONS OF THE ENCROACHMENT PERMIT OR OTHER LEGAL DOCUMENTS AS THOUGH DOCUMENTS WERE ISSUED IN THE CONTRACTORS NAME. THE CONTRACTOR SHALL MAINTAIN COPIES OF THESE DOCUMENTS ON THE SITE AT ALL TIMES.
- WHEN THE CONTRACTOR IS UNABLE TO COMPLETE HIS WORK AS SHOWN ON THE PLANS BECAUSE OF AN EXISTING UTILITY, CONTRACTOR SHALL STAKE THE LOCATION OF THE UTILITY PRIOR TO PROCEEDING AND CONTACT THE ENGINEER.
- THE CONTRACTOR SHALL NOTIFY ALL PUBLIC AGENCIES, THE OWNER, THE ENGINEER AND ALL OTHER CONCERNED PARTIES WHEN CONSTRUCTION IS TO COMMENCE. PRIOR TO ANY CONSTRUCTION A PRE CONSTRUCTION MEETING SHALL BE HELD WITH THE MUNICIPALITY / AUTHORITY, THE CONTRACTOR, THE ENGINEER AND ANY OTHER INTERESTED PARTY.
- DATA REQUIRED FOR PREPARATION OF RECORD DRAWINGS SHALL BE OBTAINED AND RECORDED BY THE CONTRACTOR AT THE TIME OF INSTALLATION. THIS DATA SHALL BE ACCUMULATED BY THE CONTRACTOR DURING THE CONSTRUCTION PERIOD AND EVIDENCE PROVIDED TO THE ENGINEER AS PART OF THE MONTHLY PAY REQUEST. PAY REQUESTS WILL NOT BE APPROVED BY THE ENGINEER IF THIS DATA IS NOT SUBMITTED WITH THE PAY REQUEST. CONTRACTOR IS TO PROVIDE NEAT AND LEGIBLE COMPLETED RECORD DRAWINGS TO THE ENGINEER AT THE COMPLETION OF THE PROJECT.
- ALL WORK SHALL BE IN ACCORDANCE WITH THE APPLICABLE FEDERAL, SOUTH CAROLINA AND LOCAL ORDINANCES, REGULATIONS, SPECIFICATIONS AND PERMITS. THE CONTRACTOR IS RESPONSIBLE FOR ACQUIRING ALL LICENSES AND PERMITS AS REQUIRED.
- CONTRACTOR IS TO COMPLY WITH ALL PROVISIONS OF THE "SOUTH CAROLINA MANUAL OF UNIFORM TRAFFIC CONTROL DEVICES" SECTION V, WHEN WORKING IN OR ADJACENT TO AN EXISTING PUBLIC HIGHWAY RIGHT-OF-WAY. THIS SECTION COVERS CONSTRUCTION SIGNAGE, FLAGGING AND OTHER TRAFFIC CONTROL DEVICES.
- THREE (3) DAYS BEFORE DIGGING IN SOUTH CAROLINA CALL 1-888-721-7877 PALMETTO UTILITY LOCATION SERVICE (PUPS).
- ALL EXISTING STRUCTURES AND UTILITIES, INCLUDING BUT NOT LIMITED TO BUILDINGS, LANDSCAPING, SIDEWALKS, CURBING, PAVEMENT, IRRIGATION SYSTEMS, PIPELINES, ETC. THAT ARE DAMAGED DUE TO THE CONSTRUCTION ACTIVITY SHALL BE REPAIRED OR REPLACED AS DIRECTED BY THE ENGINEER, AT NO ADDITIONAL COST TO THE OWNER.
- ACCESS TO BUSINESSES AND RESIDENCES SHALL BE MAINTAINED AT ALL TIMES.
- PROPERTY LINES SHOWN ON THE PLANS ARE APPROXIMATE AND ARE SHOWN FOR INFORMATIONAL PURPOSES ONLY.
- ALL EXISTING STRUCTURES, UTILITIES, AND PHYSICAL FEATURES SHOWN ON THE PLANS ARE EXISTING UNLESS OTHERWISE LABELED OR NOTED.
- ALL TRENCHES ARE TO BE COMPACTED TO 98% MODIFIED PROCTOR. TRENCHES LOCATED IN PAVED AREAS SHALL BE BACKFILLED WITH SELECT SAND. EXCESS EXCAVATION MATERIAL SHALL BE REMOVED FROM THE SITE AND DISPOSED OF AT NO ADDITIONAL COST TO THE OWNER.
- PROVISIONS SHALL BE MADE TO PREVENT EROSION AND SILTATION CAUSED BY CONSTRUCTION. TEMPORARY GRASSING, HAY BALES, SILT FENCING, OR OTHER METHODS AS REQUIRED SHALL BE USED.
- PROVISIONS SHALL BE MADE TO ENSURE POSITIVE DRAINAGE ON THE SITE AT ALL TIMES. NATURAL DRAINAGE FEATURES DISTURBED BY CONSTRUCTION MUST BE RE-ESTABLISHED. NO PONDING DUE TO SPOILS STOCKPILING OR OTHER ACTIVITIES SHALL BE PERMITTED.
- STABILIZATION MEASURES SHALL BE INITIATED AS SOON AS PRACTICABLE IN PORTIONS OF THE SITE WHERE CONSTRUCTION ACTIVITIES HAVE TEMPORARILY OR PERMANENTLY CEASED, BUT IN NO CASE MORE THAN 14 DAYS AFTER THE CONSTRUCTION ACTIVITY IN THAT PORTION OF THE SITE HAS TEMPORARILY OR PERMANENTLY CEASED, UNLESS ACTIVITY IN THAT PORTION OF THE SITE WILL RESUME WITHIN 21 DAYS.
- CONTRACTOR TO REPAIR ANY EXISTING LANDSCAPING, CONCRETE, DRIVEWAYS, PAVEMENT, CURB, GUTTER AND SIDEWALK THAT IS DISTURBED DUE TO CONSTRUCTION OF NEW STORM DRAINAGE.
- PROPERTY LINES AND UTILITIES ARE APPROXIMATE AND SHOWN FOR INFORMATIONAL PURPOSES ONLY. CONTRACTOR SHOULD VERIFY LOCATION OF EXISTING UTILITIES AND PROPERTY LINES PRIOR TO CONSTRUCTION. CONTRACTOR NEEDS TO NOTIFY UTILITY AGENCIES 24 HOUR PRIOR TO CONSTRUCTION.
- CONTRACTOR TO COORDINATE ALL WATER TIE-INS WITH THE CITY OF MYRTLE BEACH. A MINIMUM OF 48 HOURS NOTICE MUST BE GIVEN TO PUBLIC WATER CUSTOMERS BY THE CITY OF MYRTLE BEACH PRIOR TO EXISTING WATER LINE SHUT DOWNS.
- CONTRACTOR MUST VERIFY THE SIZE AND TYPE OF LINES BEING TIED IN TO AND SUPPLY THE APPROPRIATE SLEEVES.
- CONTRACTOR MUST POTHOLE AND VERIFY THE LOCATION AND ELEVATION OF ALL EXISTING UTILITIES INCLUDING STORM DRAINAGE ALONG THE ENTIRE LENGTH OF THE PROJECT PRIOR TO CONSTRUCTION OF THE PROPOSED UTILITY LINES. THE UTILITY LINES SHALL BE DEFLECTED HORIZONTALLY AND VERTICALLY TO AVOID CONFLICTS WITH EXISTING UTILITIES AND THE EXTRA DEPTH SHALL BE INCLUDED IN THE UNIT COST OF THE LINES. BENDS AND OBSTRUCTION BYPASSES SHALL ONLY BE USED UPON APPROVAL OF THE ENGINEER.
- ALL ELEVATIONS ARE BASED ON NAVD 1988 VERTICAL DATUM.



SITE LAYOUT
SCALE: 1" = 50'

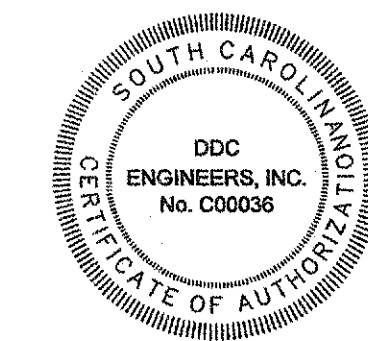
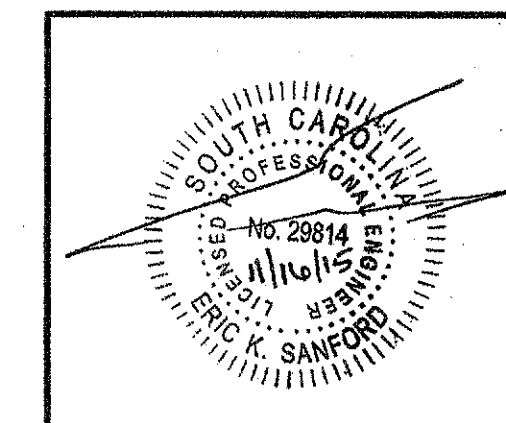
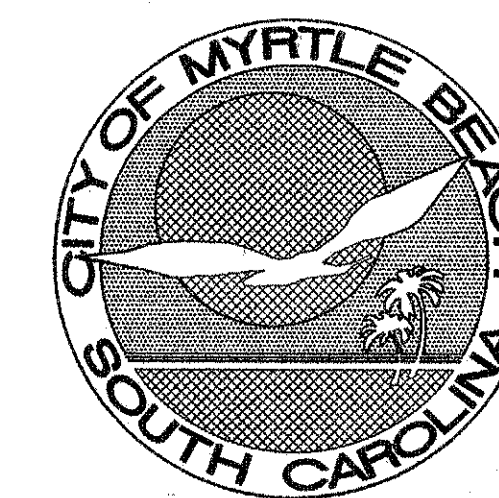
SHEET SCHEDULE

SHEET TITLE	SHEET NUMBER	ORIGINAL DATE	REVISION DATE
COVER SHEET	1	NOVEMBER 6, 2015	-
EXISTING CONDITIONS SITE PLAN	2	NOVEMBER 6, 2015	-
EXISTING CONDITIONS PUMP STATION	3	NOVEMBER 6, 2015	-
DEMOLITION SITE PLAN	4	NOVEMBER 6, 2015	-
DEMOLITION PUMP STATION	5	NOVEMBER 6, 2015	-
PROPOSED SITE PLAN	6	NOVEMBER 6, 2015	-
PROPOSED PUMP STATION	7	NOVEMBER 6, 2015	-
PROPOSED PUMP STATION BUILDING	8	NOVEMBER 6, 2015	-
PROPOSED PUMP STATION	9	NOVEMBER 6, 2015	-
GENERAL DETAILS	10	NOVEMBER 6, 2015	-
MISCELLANEOUS DETAILS	11	NOVEMBER 6, 2015	-

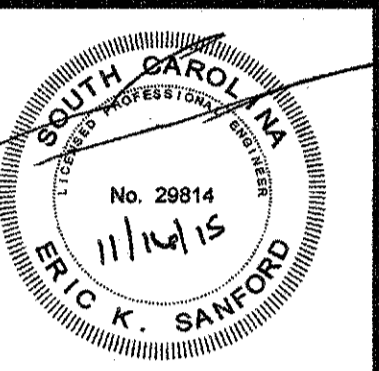
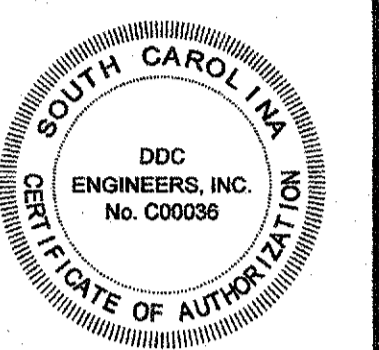
* This set is current through sheet dated NOVEMBER 6, 2015

REVISION OCCURRENCE LIST			
REVISION NO.	DATE	REVISION DESCRIPTION	BY

Prepared for:
City of Myrtle Beach
P.O. Drawer 2468
Myrtle Beach, S.C. 29578



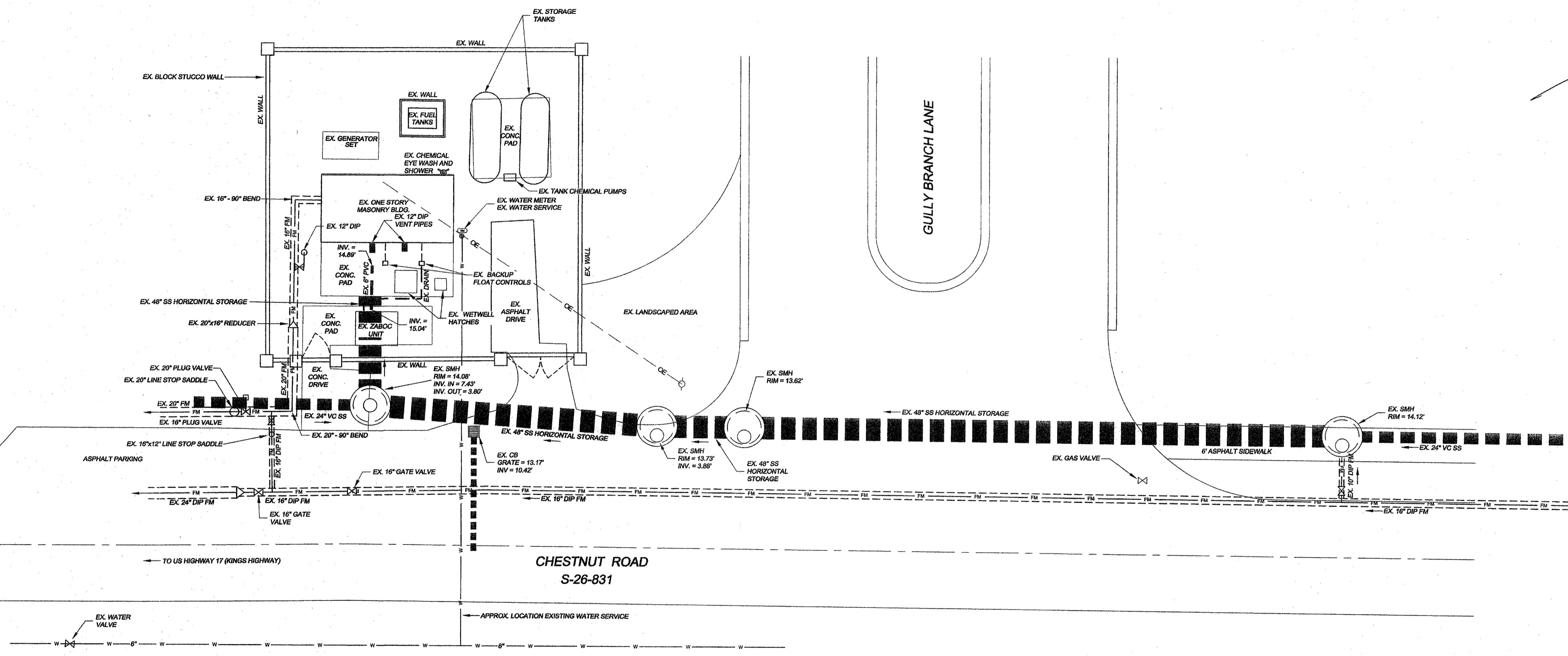
PROJECT NAME: CHESTNUT ROAD PUMP STATION DDC P/N: 14947E #3



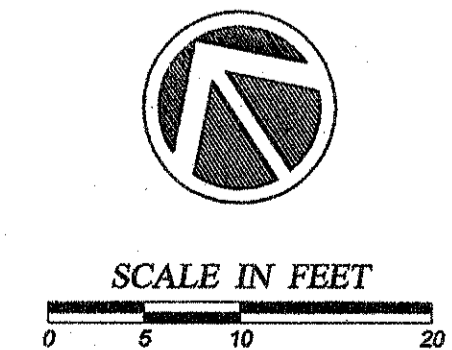
NO.	DATE	REVISION DESCRIPTION	BY

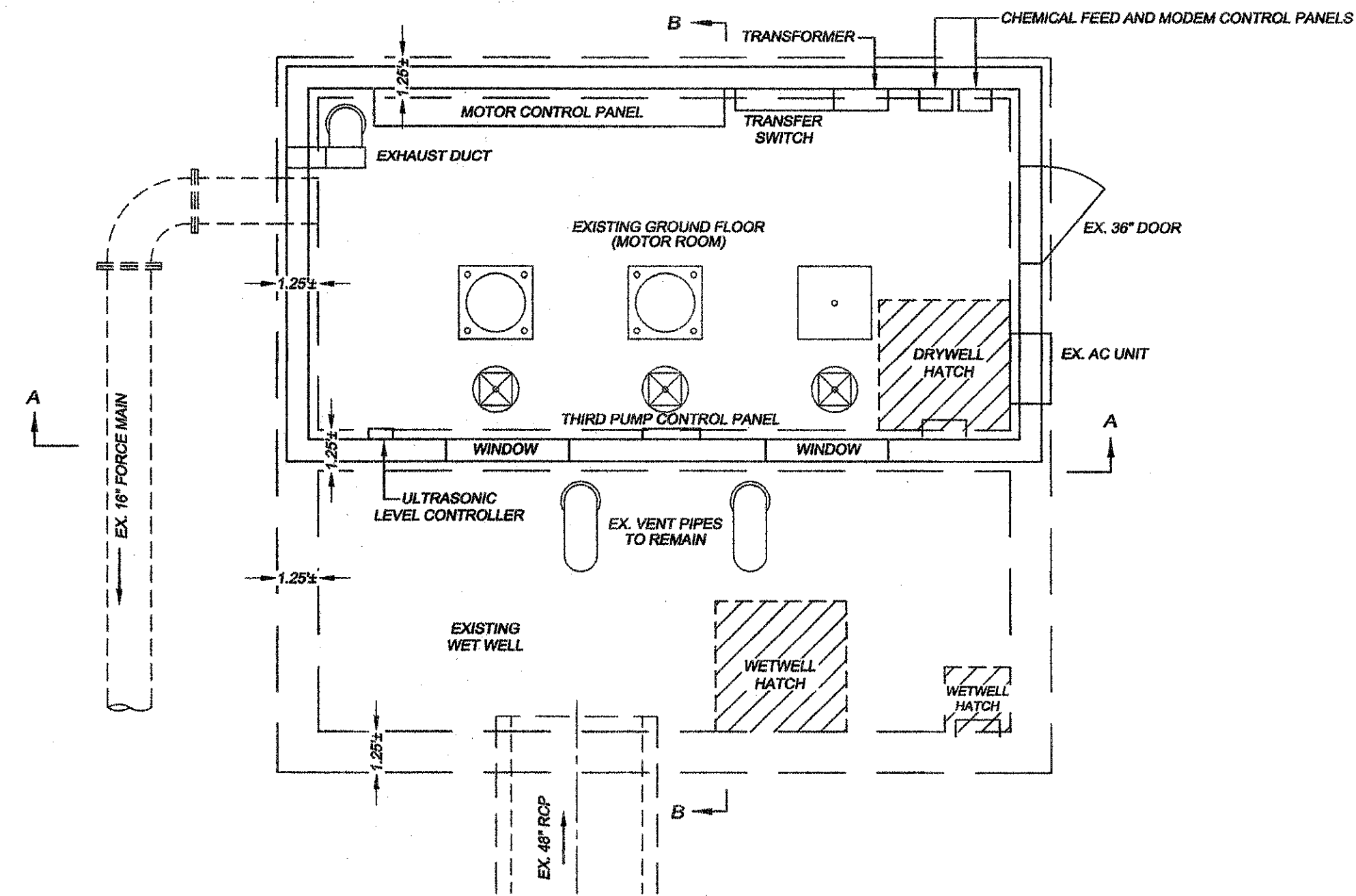
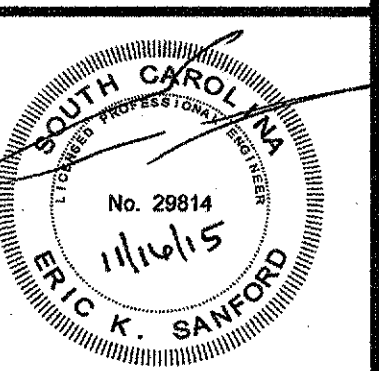
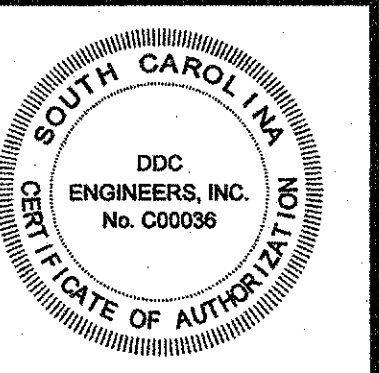
EXISTING CONDITIONS
SITE PLAN
CHESTNUT ROAD PUMP STATION
HORRY COUNTY, SOUTH CAROLINA
PREPARED FOR: CITY OF MYRTLE BEACH

SCALE:	1" = 10'
DATE:	11/08/15
DESIGNED BY:	EKS
DRAWN BY:	PES / KJG
APPROV. BY:	EKS
PROJECT NO.:	14947E
FILE NO.:	2

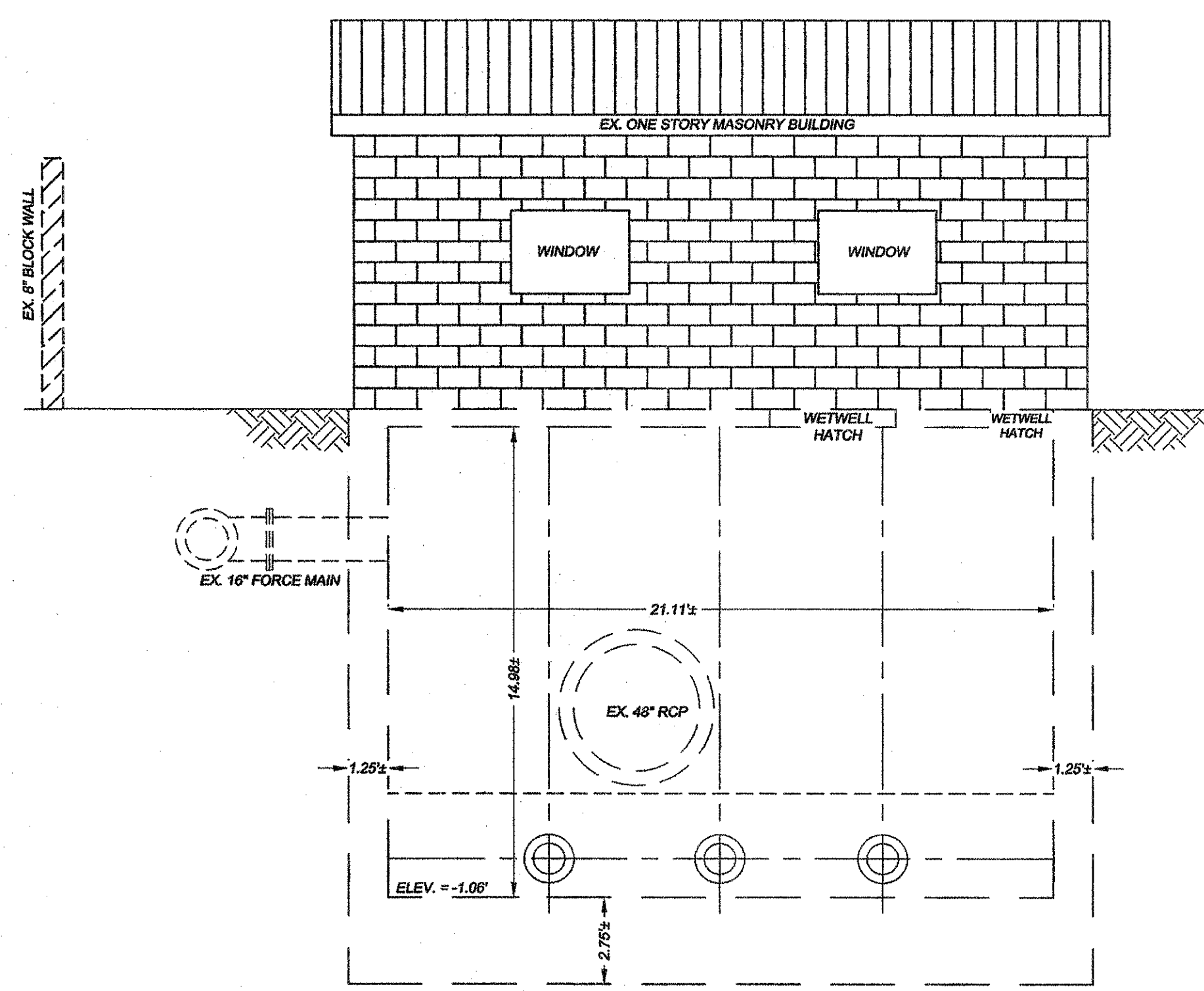


3 DAYS BEFORE DIGGING IN
SOUTH CAROLINA
CALL 811
www.sc811.org
PALMETTO UTILITY LOCATION SERVICE

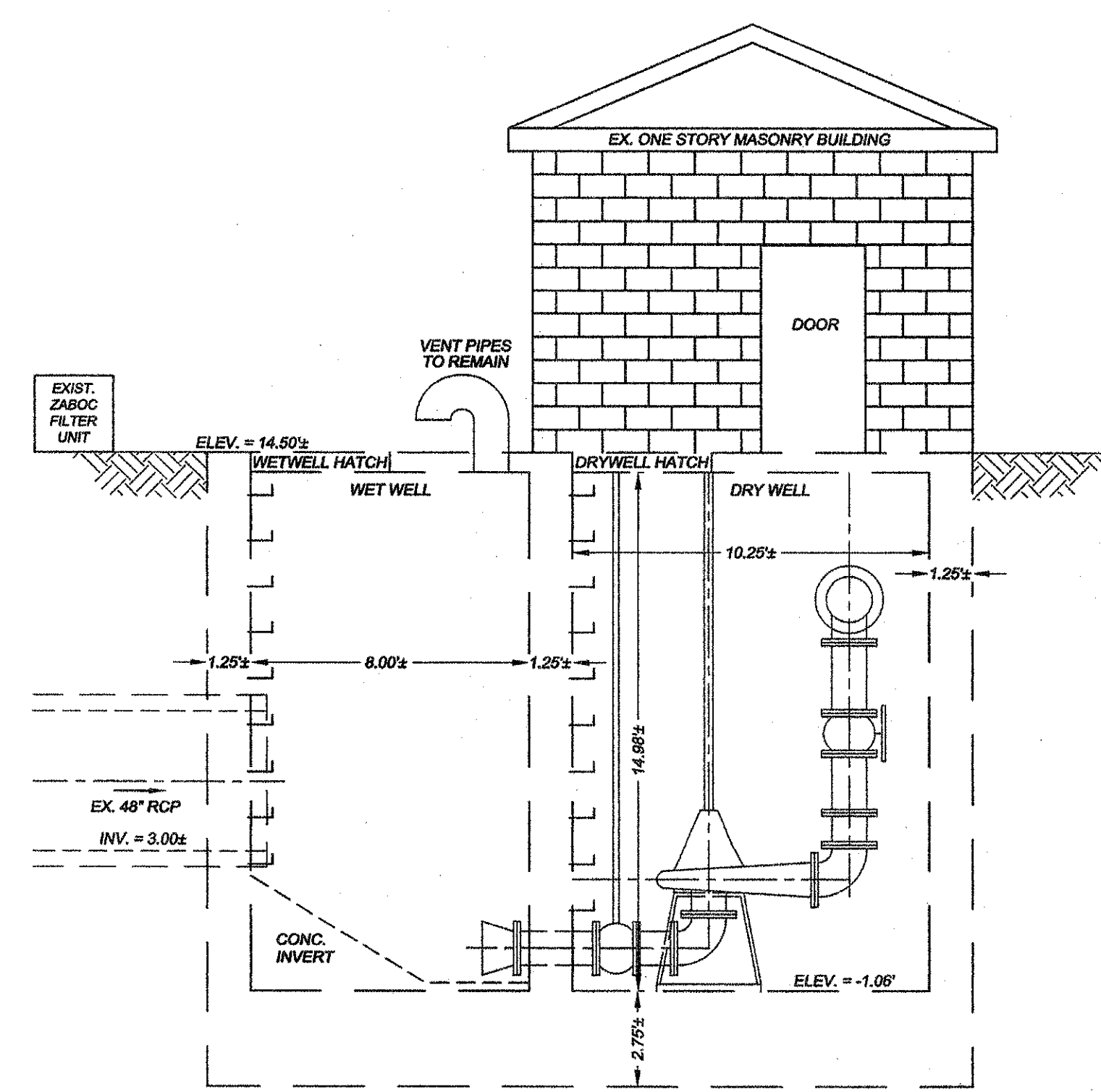




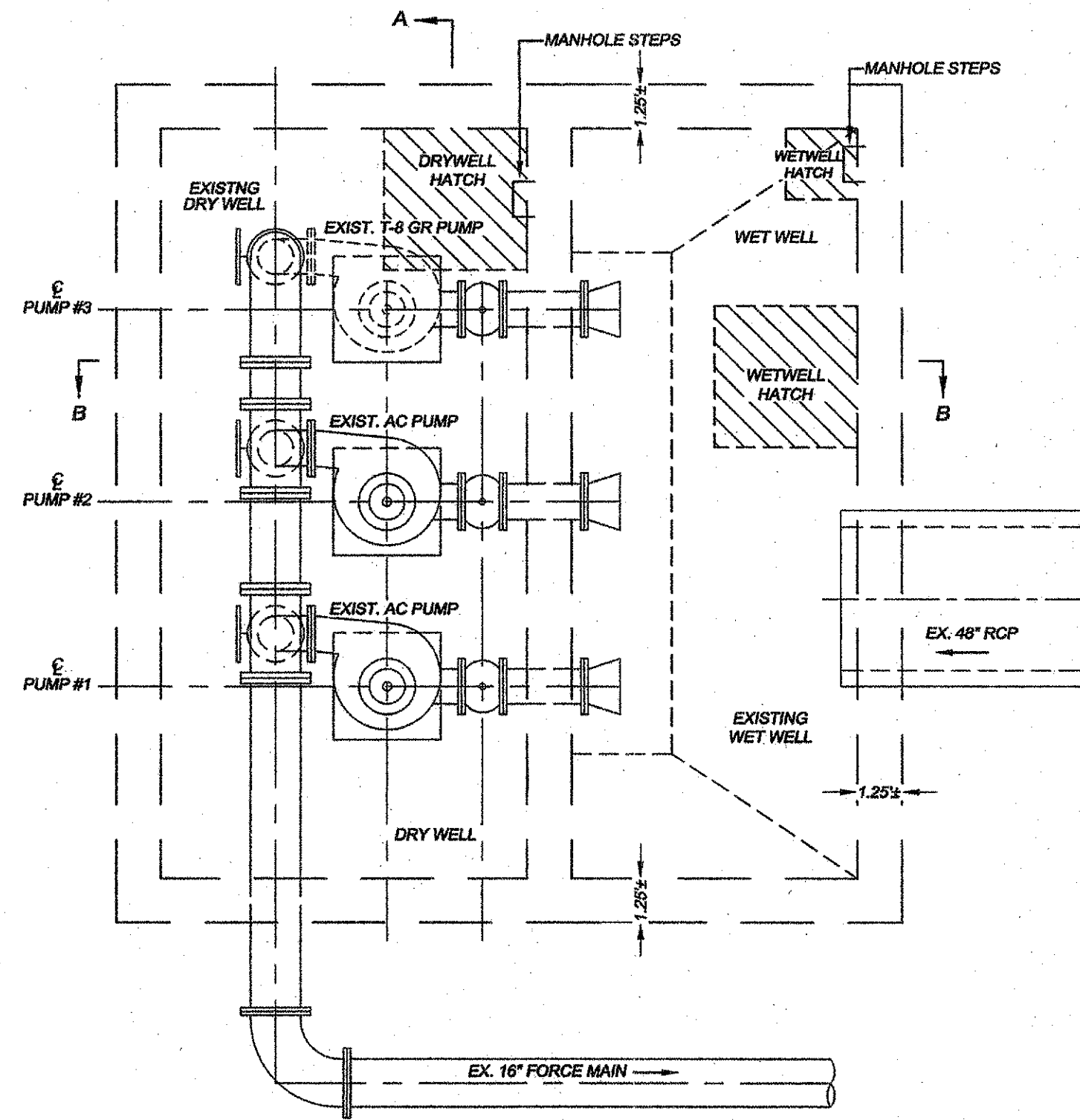
ABOVE GROUND PLAN VIEW
 SCALE: 1"=4'



FRONT VIEW
 SECTION "A-A"
 SCALE: 1"=4'



SIDE VIEW
 SECTION "B-B"
 SCALE: 1"=4'



BELOW GROUND PLAN VIEW
 SCALE: 1"=4'

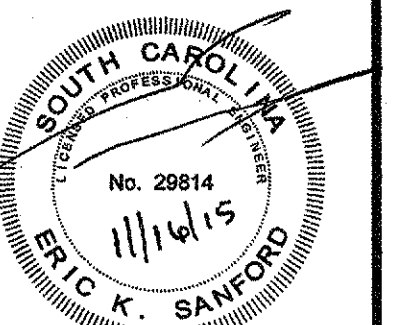
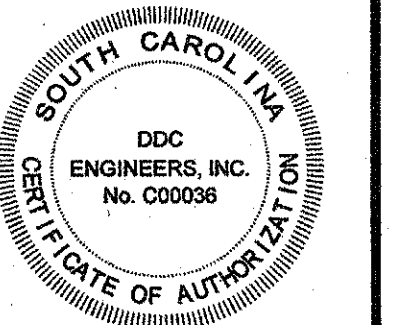
**CHESTNUT ROAD PUMP STATION
 EXISTING CONDITIONS**
 SCALE: 1"=4'

NO.	DATE	REVISION DESCRIPTION	BY

**EXISTING CONDITIONS
 PUMP STATION**
 CHESTNUT ROAD PUMP STATION
 Horry County, South Carolina
 PREPARED FOR: CITY OF MYRTLE BEACH

SCALE:	1" = 4'
DATE:	11/06/15
DESIGNED BY:	EKS
DRAWN BY:	PES / KJG
APPROV. BY:	EKS
PROJECT NO.:	14647E
3	
FILE NO.:	

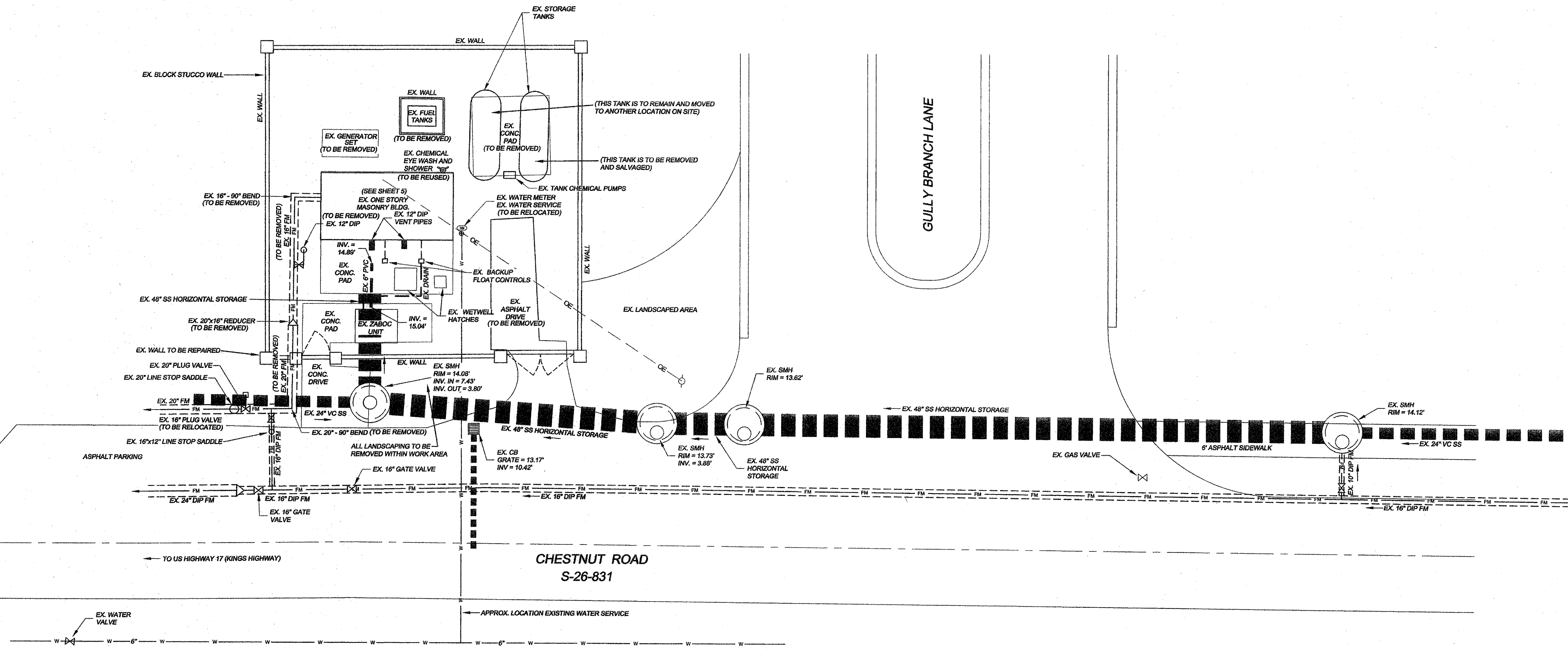
PLOT FILE: NEW000.DWG



NO.	DATE	REVISION DESCRIPTION	BY

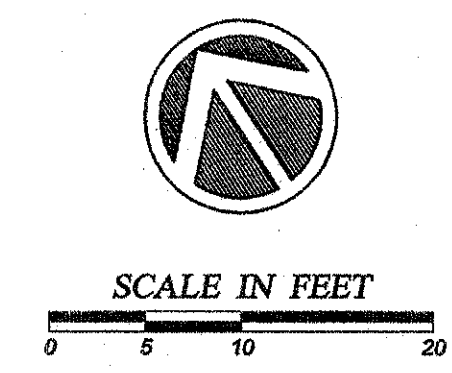
DEMOLITION SITE PLAN
CHESTNUT ROAD PUMP STATION
HORRY COUNTY, SOUTH CAROLINA
PREPARED FOR: CITY OF MYRTLE BEACH

SCALE:	1" = 10'
DATE:	11/08/15
DESIGNED BY:	EKS
DRAWN BY:	PES / KJG
APPROV BY:	EKS
PROJECT NO.:	14947E
FILE NO.:	4



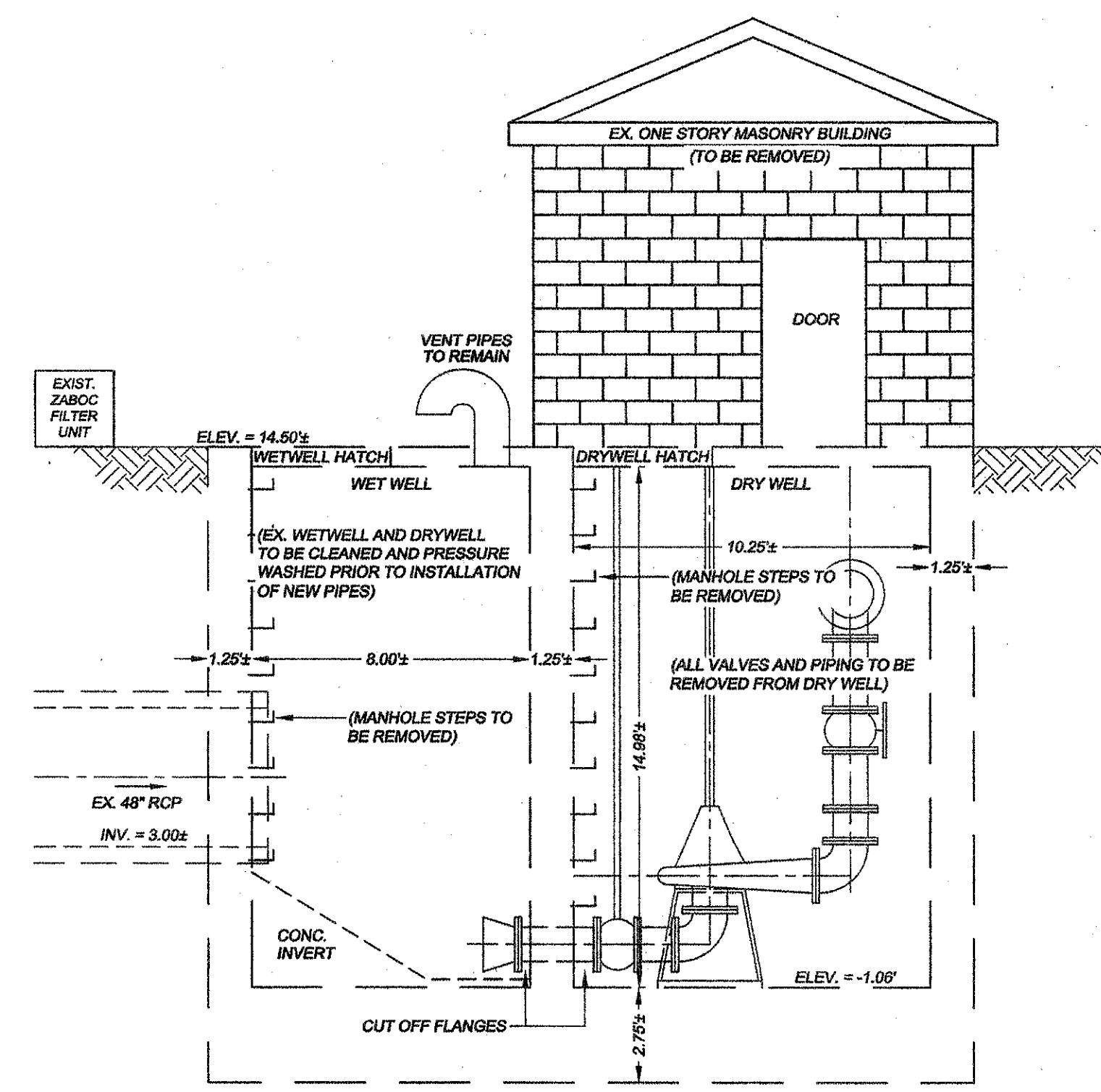
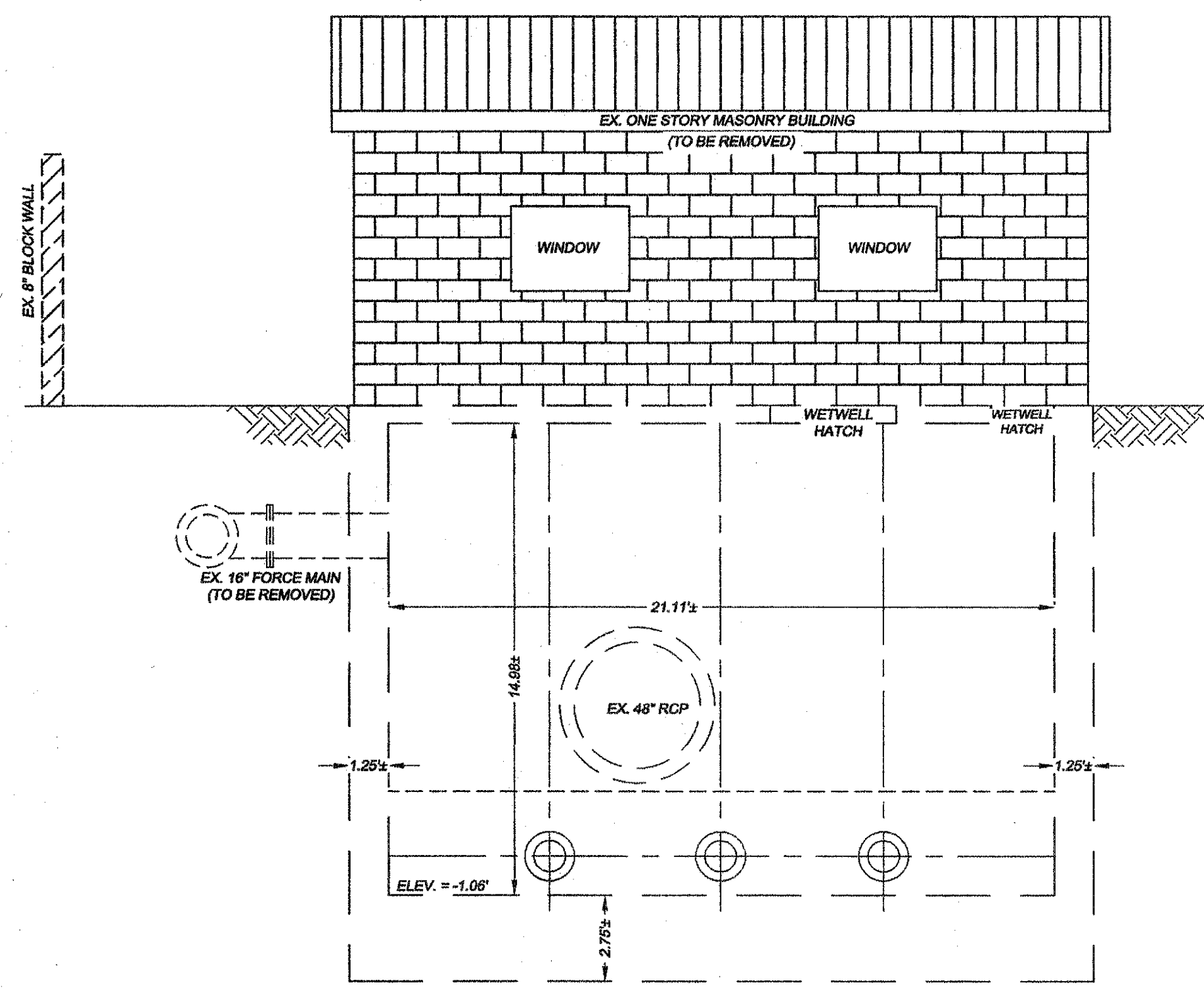
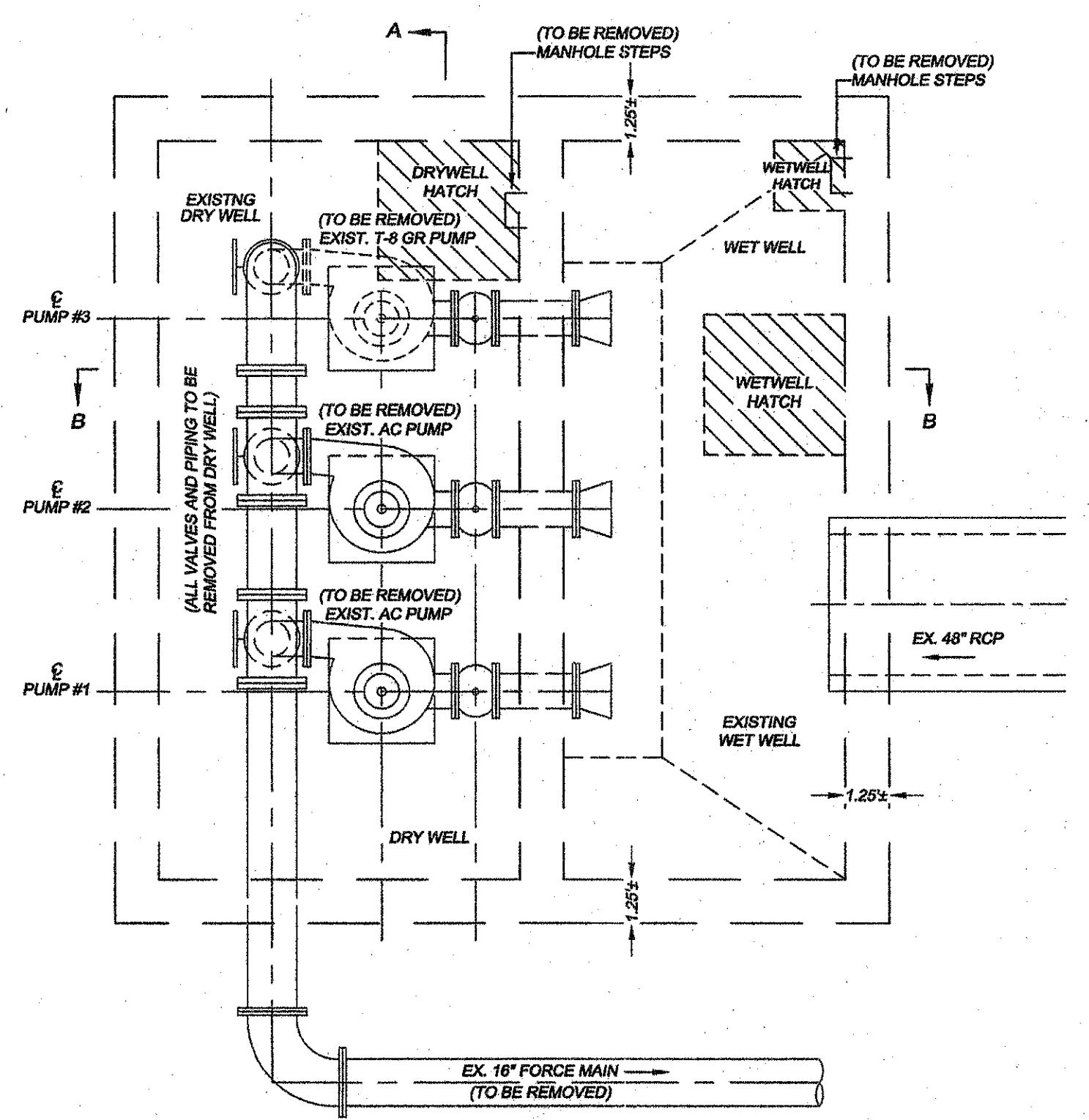
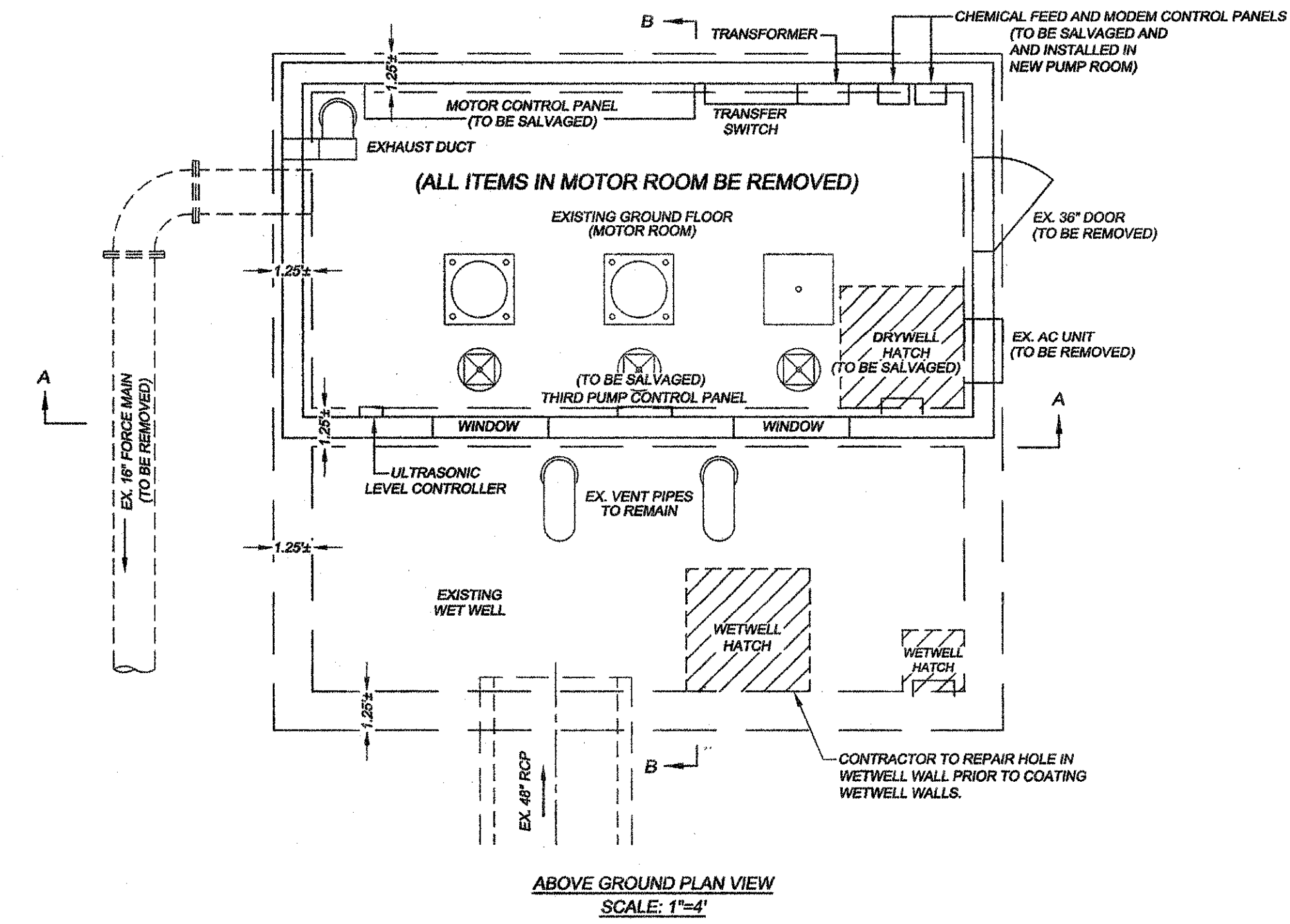
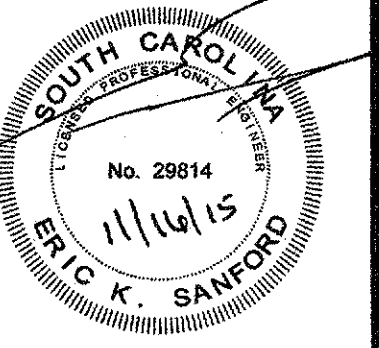
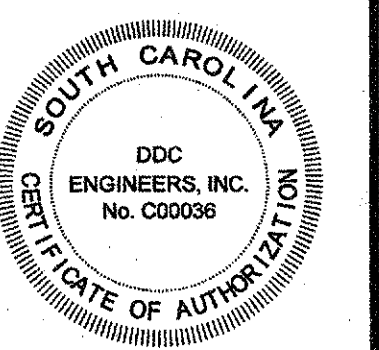
- CITY OF MYRTLE BEACH SALVAGE LIST**
- ALL MATERIALS LISTED SHALL BE REMOVED BY THE CONTRACTOR FROM THE EXISTING PUMP STATION AND DELIVERED TO THE CITY OF MYRTLE BEACH SEWER SHOP LOCATED ON MR JOE WHITE AVE. IN MYRTLE BEACH.
1. MOTOR CONTROL PANEL
 2. ONE STORAGE TANK
 3. EXISTING ZABOC CONTROL PANEL AND SYSTEM
 4. OMNI CELLULAR SCADA SYSTEM
 5. ALL PUMPS, MOTORS AND SHAFTS
 6. DRYWELL FLOOR HATCH

3 DAYS BEFORE DIGGING IN
SOUTH CAROLINA
CALL 811
www.sc811.org
PALMETTO UTILITY LOCATION SERVICE





ENGINEERS
 Consulting Engineers, Surveyors, Planners,
 Landscape Architects & Environmentalists
 1208 Professional Dr., Myrtle Beach, SC 29577
 Phone: (843) 692-3200 Fax: (843) 692-3210



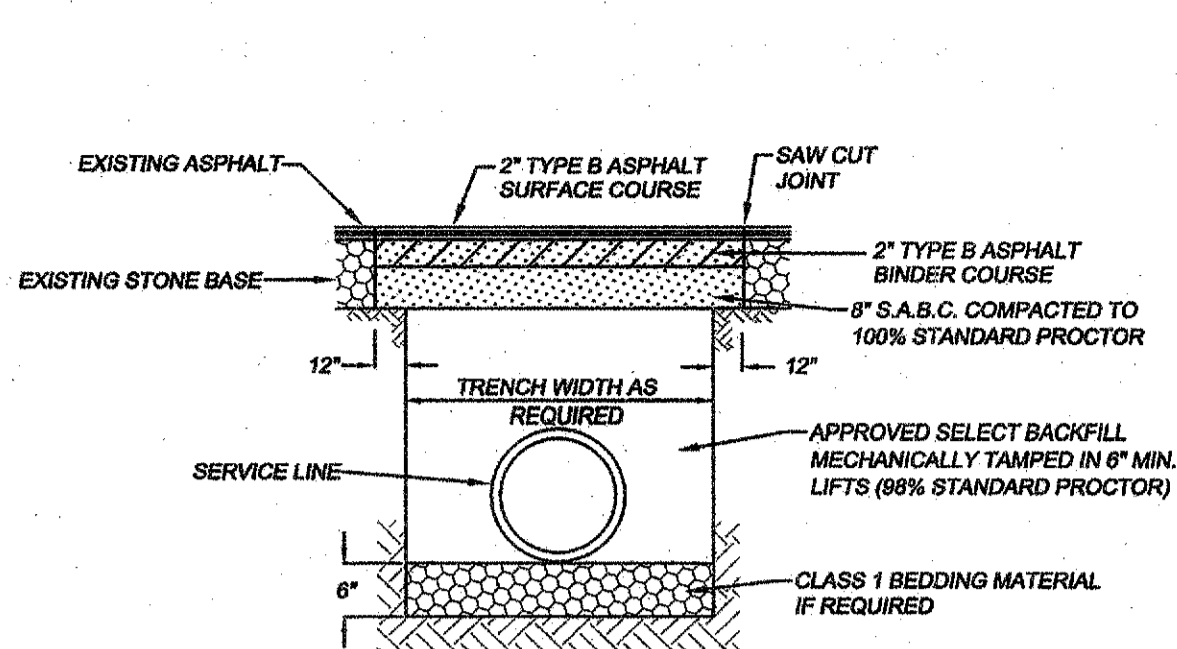
**CHESTNUT ROAD PUMP STATION
 DEMOLITION CONDITIONS**
 SCALE: 1"=4'

NO.	DATE	REVISION DESCRIPTION	BY

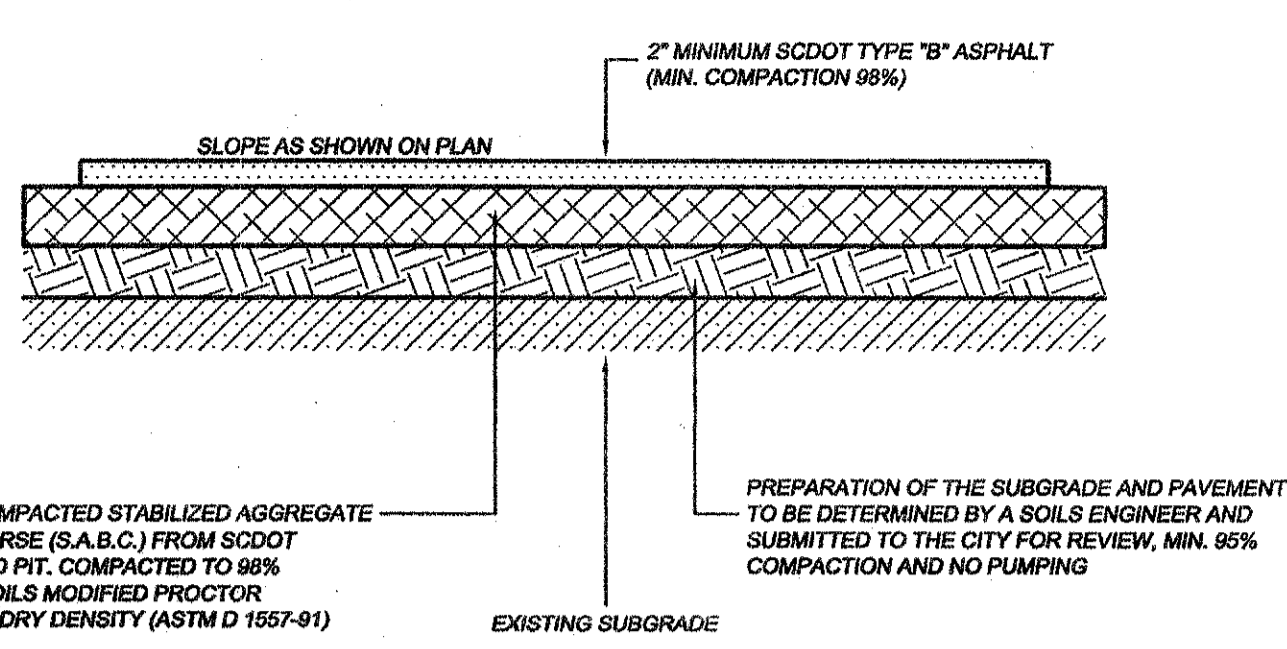
DEMOLITION PUMP STATION
CHESTNUT ROAD PUMP STATION
 HORRY COUNTY, SOUTH CAROLINA
 PREPARED FOR: CITY OF MYRTLE BEACH

SCALE:	1"=4'
DATE:	11/06/15
DESIGNED BY:	EKS
DRAWN BY:	PES / KJG
APPROV. BY:	EKS
PROJECT NO.:	14947E
5	
FILE NO.:	

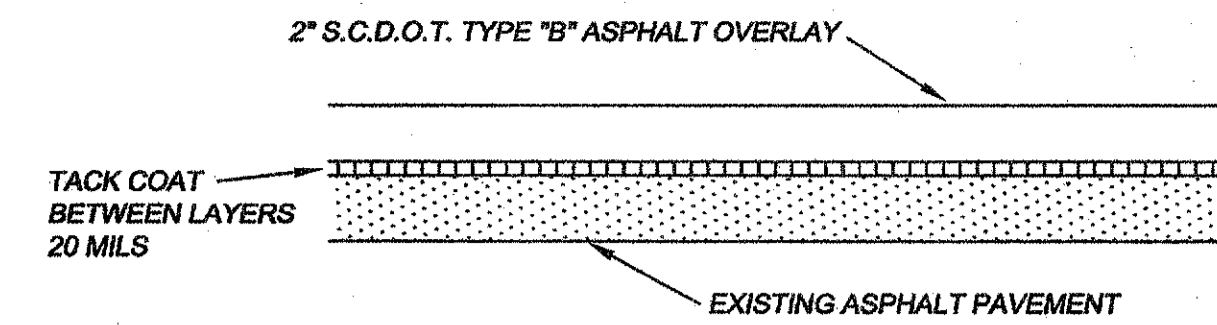
PLOT SCALE: 1"=1' PLOT FILE: DEMO002.DWG



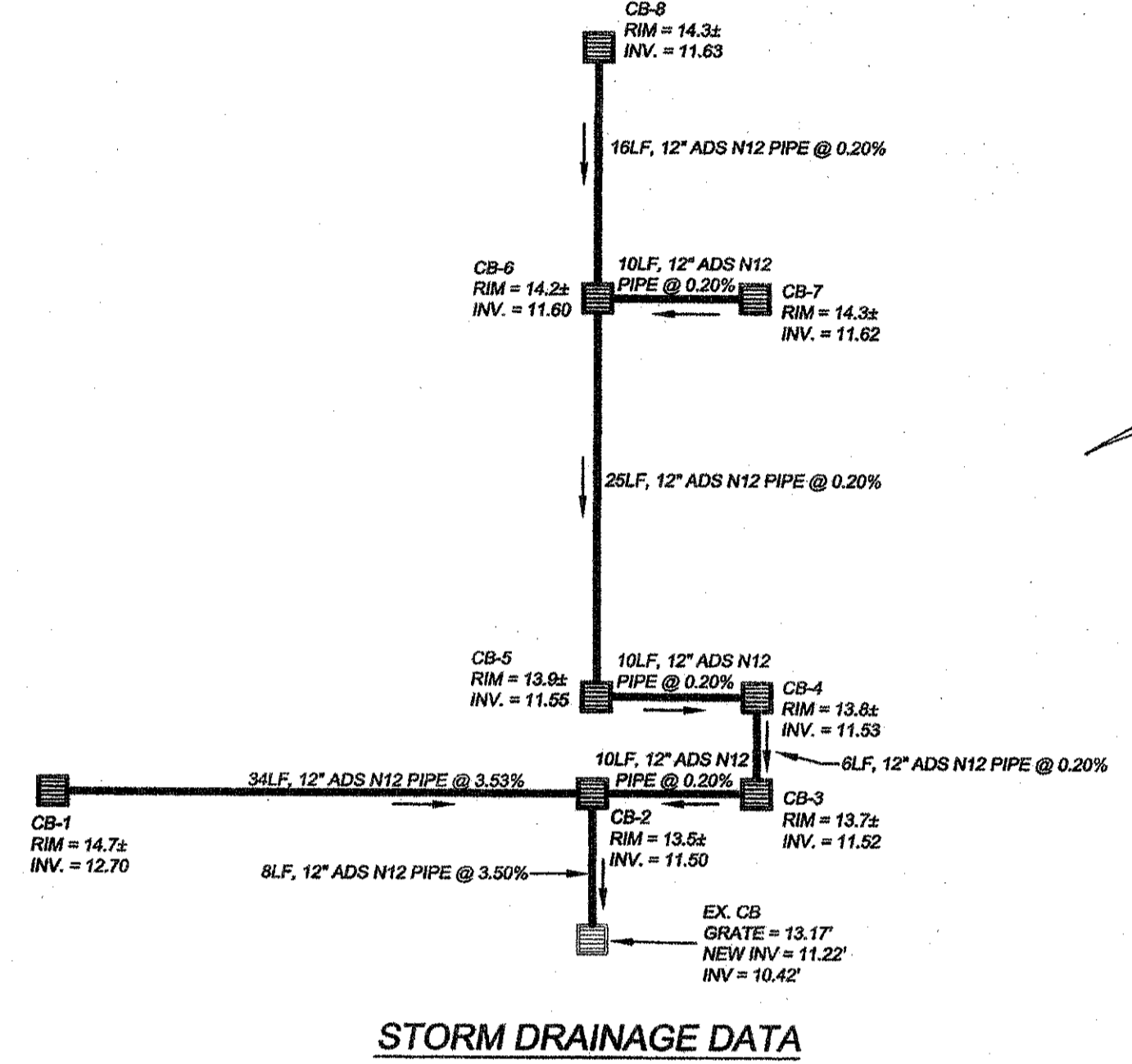
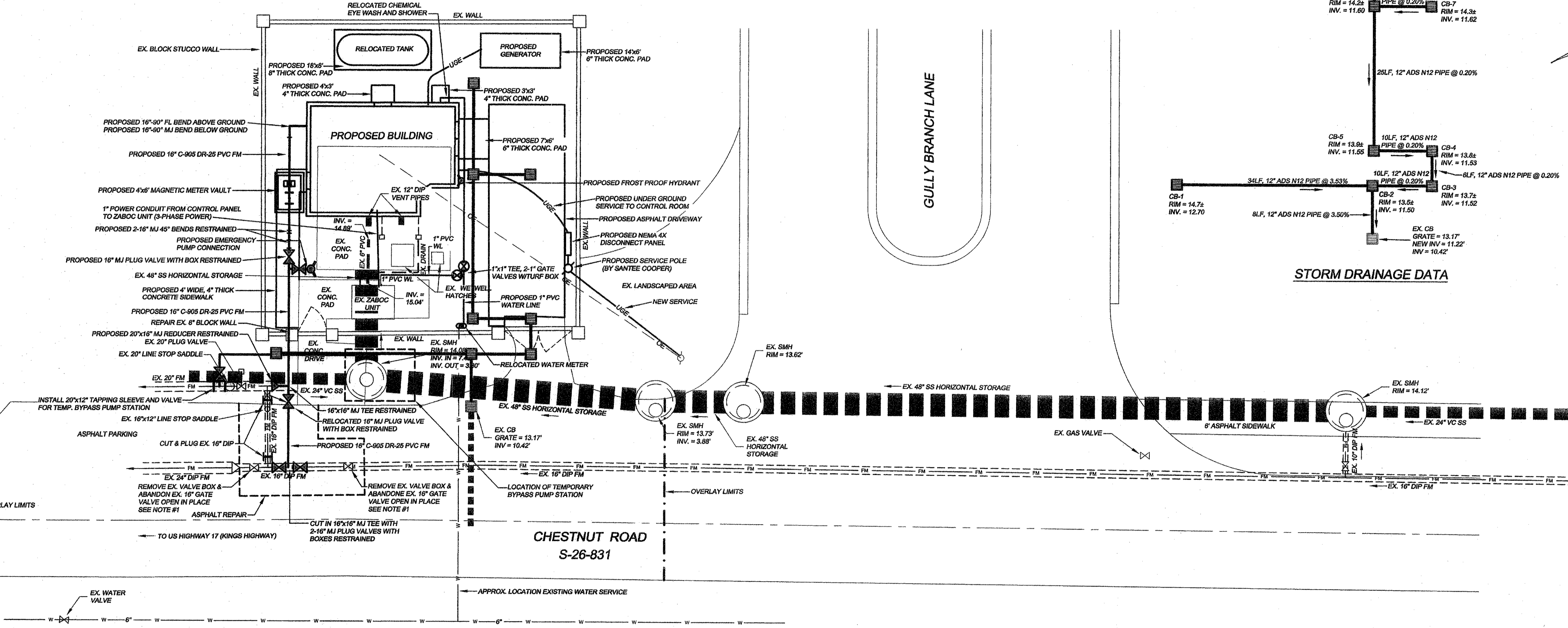
SCDOT R.O.W. PAVEMENT REPAIR



MINIMUM STANDARD DUTY DRIVEWAY PAVEMENT



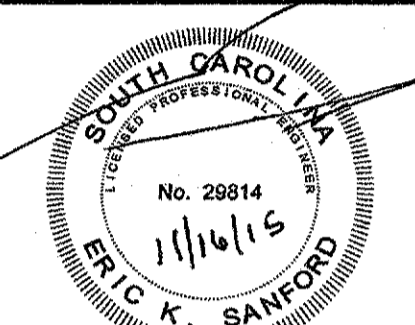
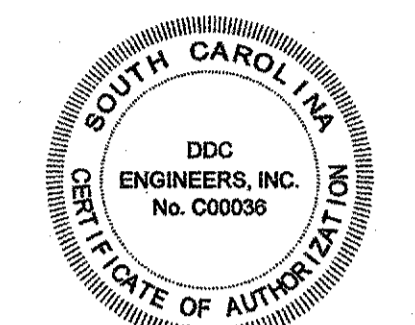
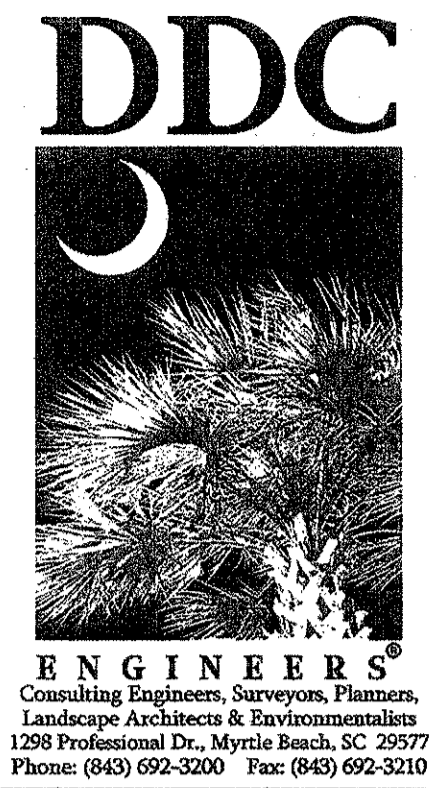
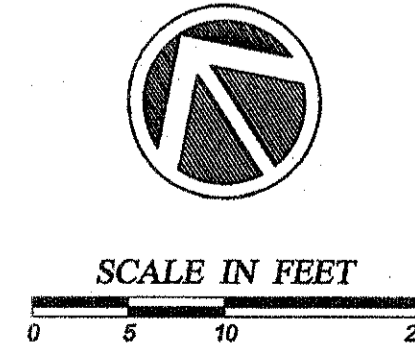
EXISTING PAVEMENT OVERLAY



STORM DRAINAGE DATA

- NOTES:**
- EXISTING 16" GATE VALVES CAN BE ABANDONED IN PLACE BY OPENING VALVE 100% IF THEY ARE HORIZONTAL TYPE VALVES AND THEN REMOVE VALVE BOX. IF THEY ARE VERTICAL TYPE VALVES THE INTERIOR PARTS MUST BE REMOVED OR THE WHOLE MUST BE REMOVED.
 - THE CONTRACTOR MUST USE SILENT PUMPS FOR THE BYPASS PUMPING.
 - THE BYPASS PUMPS MUST HAVE THE CAPABILITY OF PUMPING UP TO 3000 GPM ALONG WITH A BACKUP PUMP FOR EMERGENCIES.
 - THE CONTRACTOR WILL BE RESPONSIBLE FOR ALL SEWAGE FLOWS AT THE PUMP STATION THROUGH OUT THE DURATION OF THE CONSTRUCTION.
 - ALL PLUG VALVES TO BE 100% PORTED.

3 DAYS BEFORE DIGGING IN
SOUTH CAROLINA
CALL 811
www.sc811.org
PALMETTO UTILITY LOCATION SERVICE



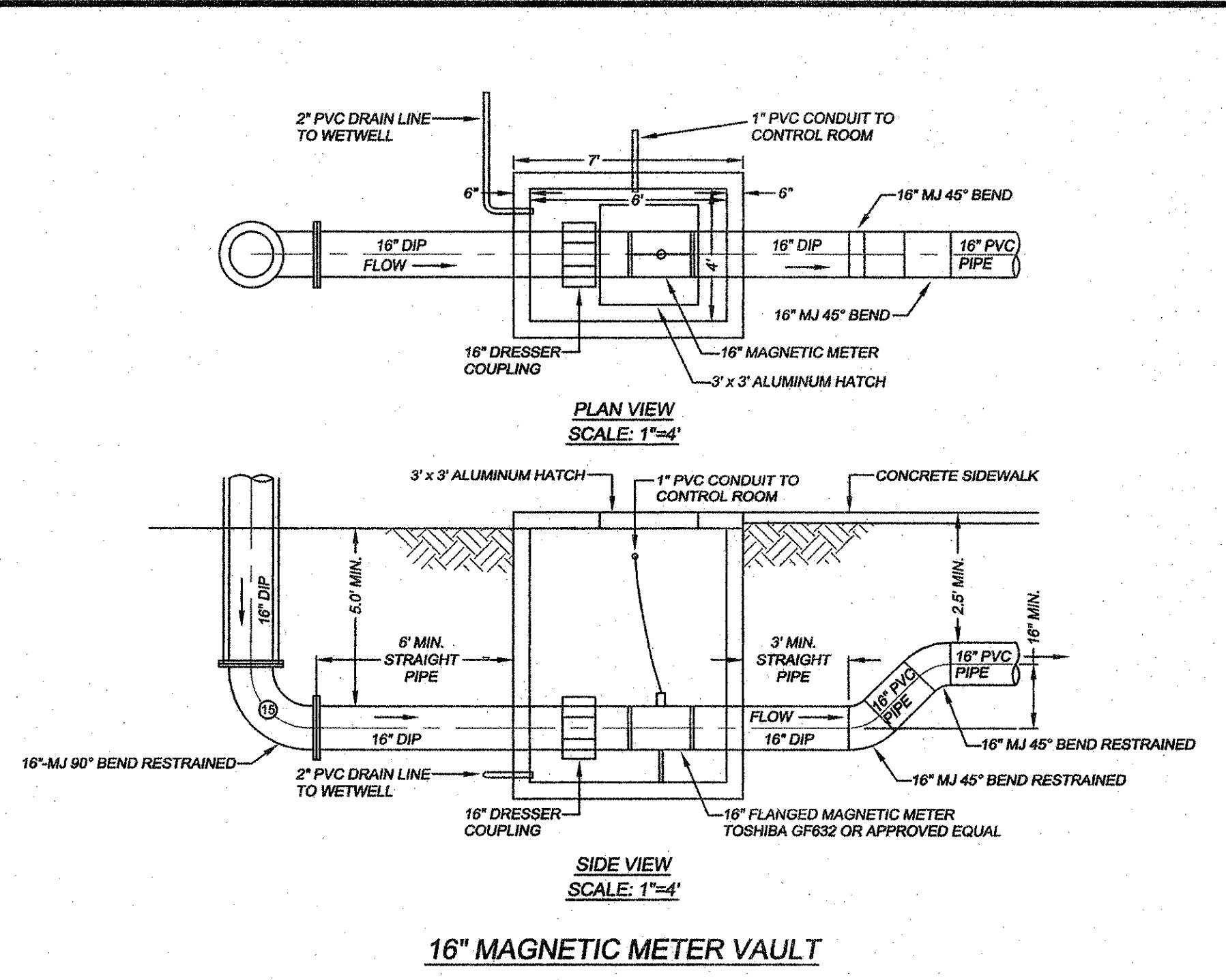
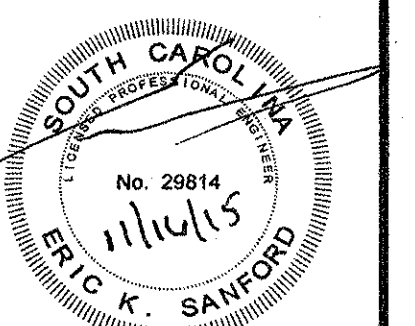
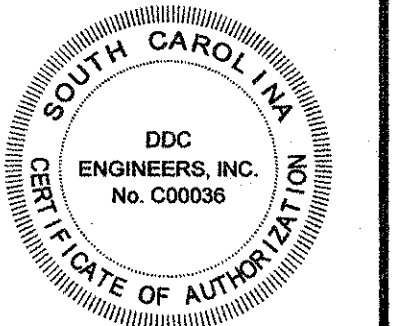
NO.	DATE	REVISION DESCRIPTION	BY

PROPOSED SITE PLAN
CHESTNUT ROAD PUMP STATION
HORRY COUNTY, SOUTH CAROLINA
PREPARED FOR: CITY OF MYRTLE BEACH

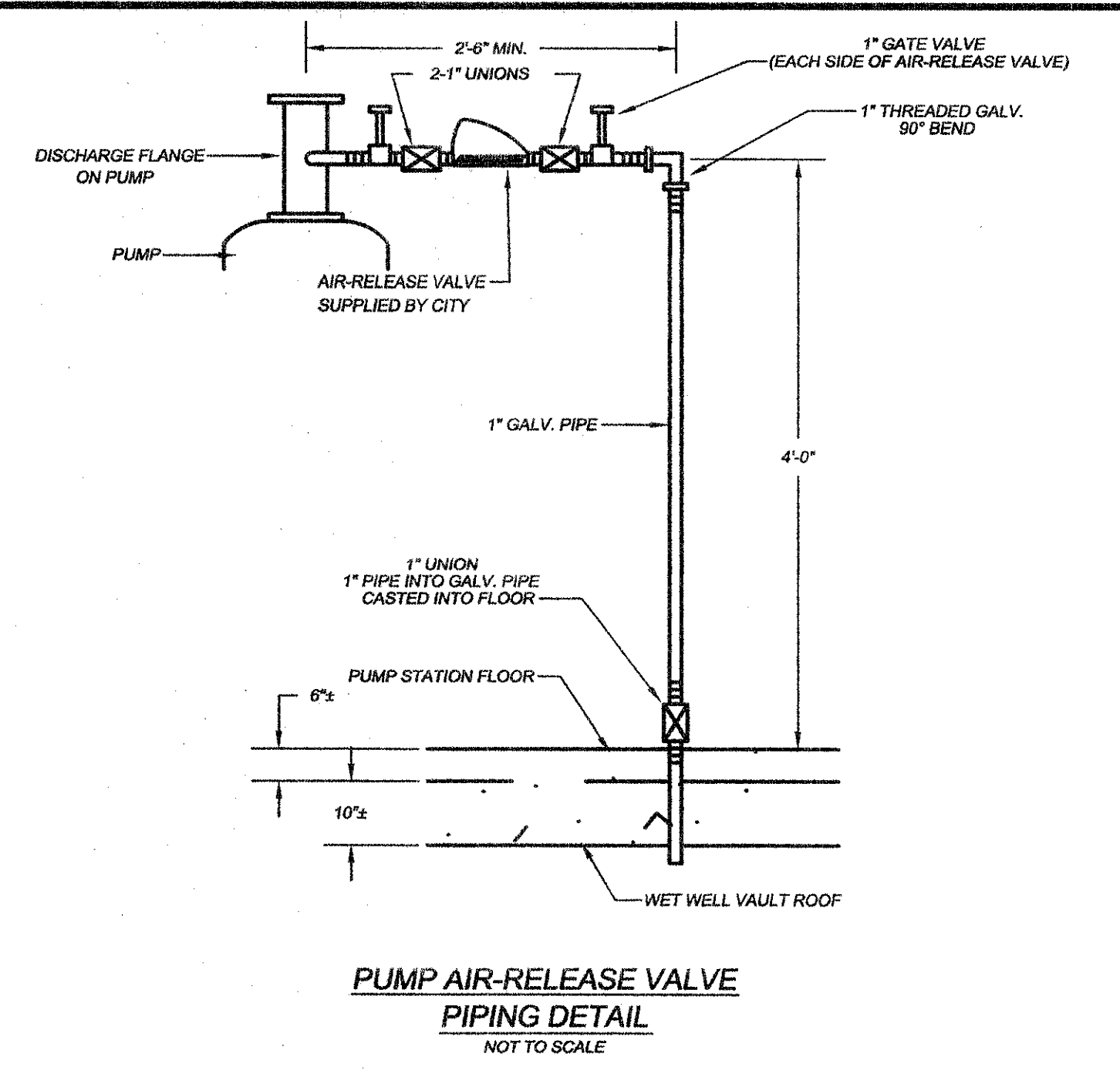
SCALE:	1" = 10'
DATE:	11/06/15
DESIGNED BY:	EKS
DRAWN BY:	PES / KJG
APPROV. BY:	EKS
PROJECT NO.:	14647E
6	
FILE NO.:	



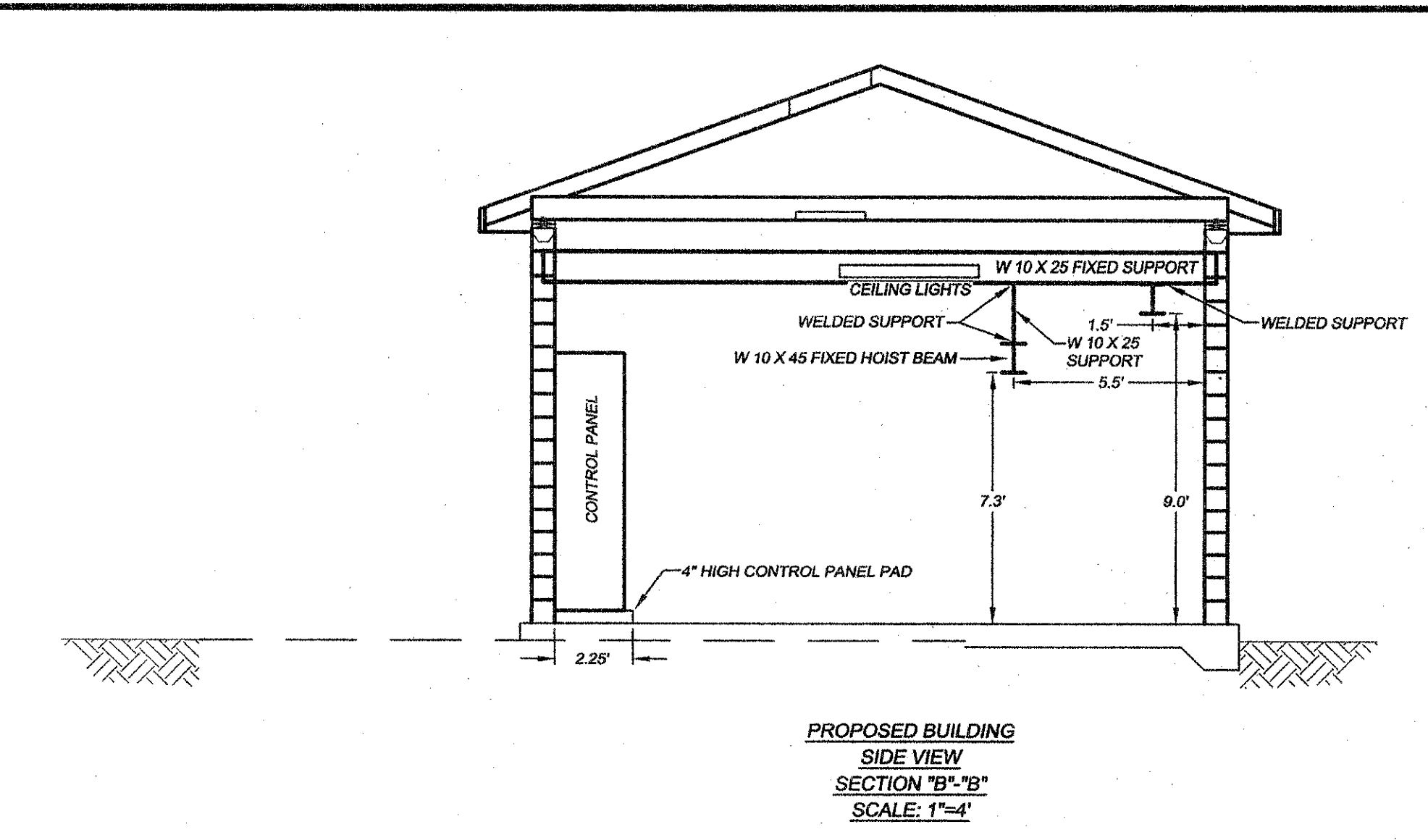
ENGINEERS
 Consulting Engineers, Surveyors, Planners,
 Landscape Architects & Environmentalists
 1298 Professional Dr., Myrtle Beach, SC 29577
 Phone: (843) 692-3000 Fax: (843) 692-3211



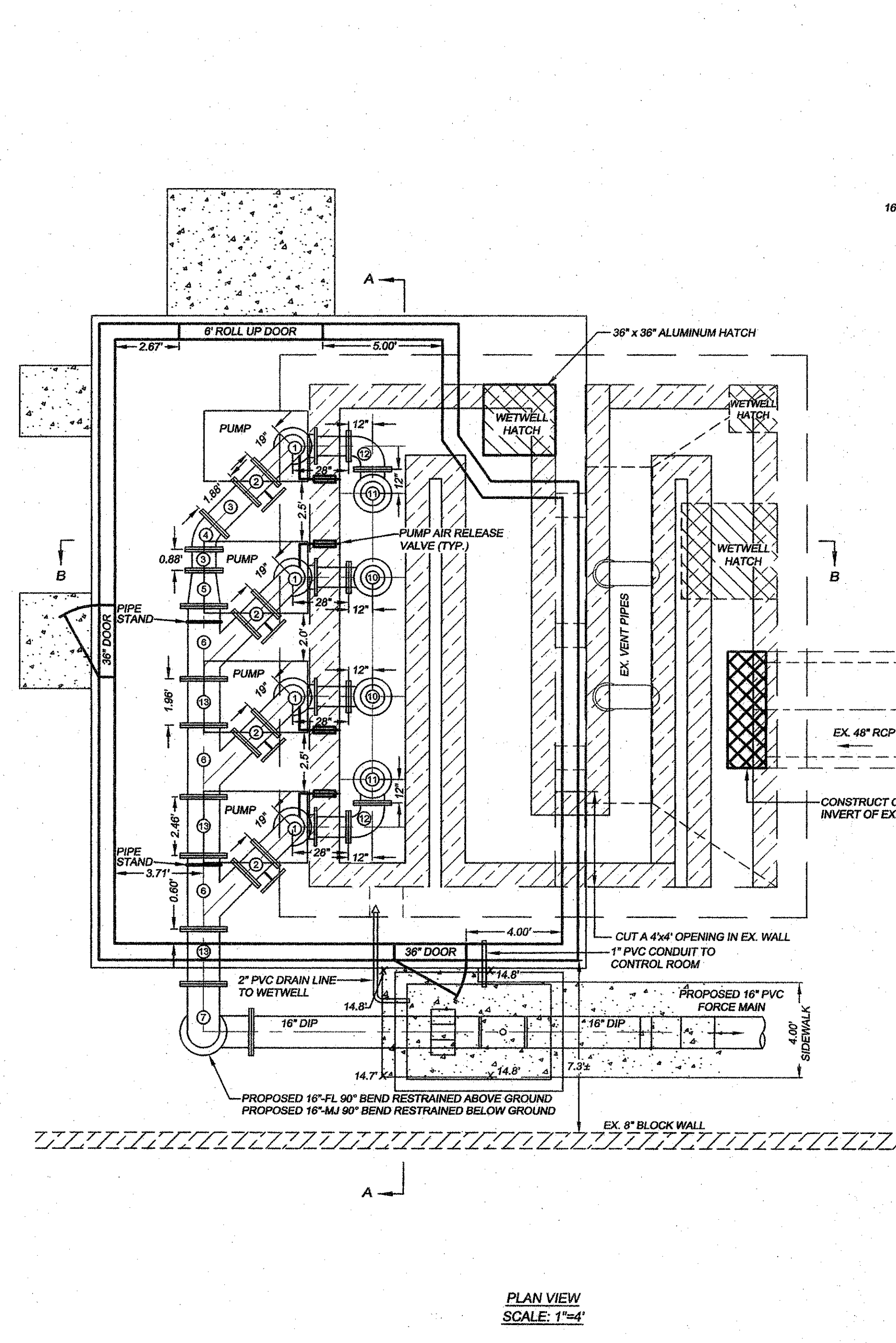
16\"/>



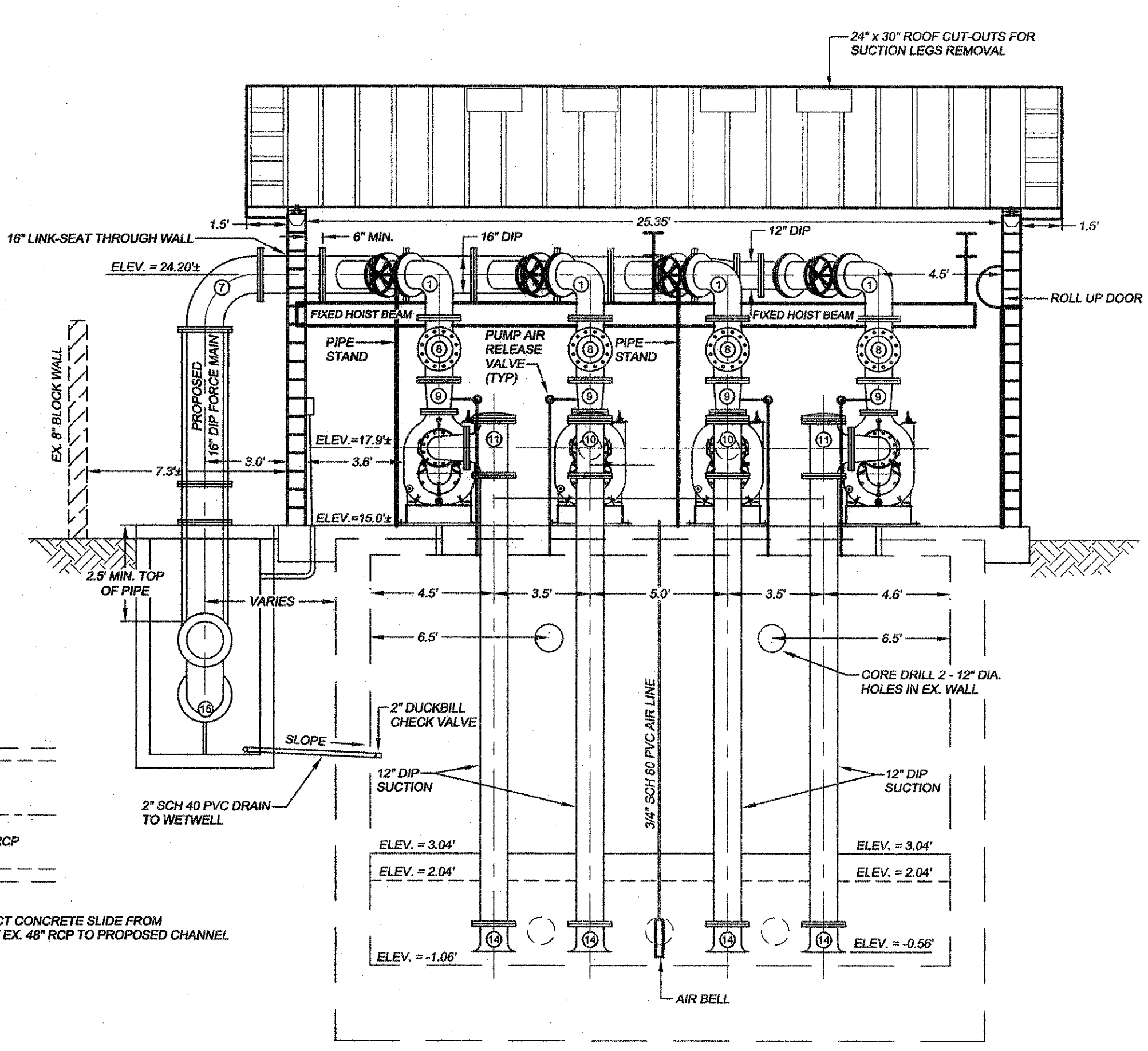
PUMP AIR-RELEASE VALVE PIPING DETAIL
 NOT TO SCALE



PROPOSED BUILDING SIDE VIEW SECTION 'B'-B'
 SCALE: 1\"/>

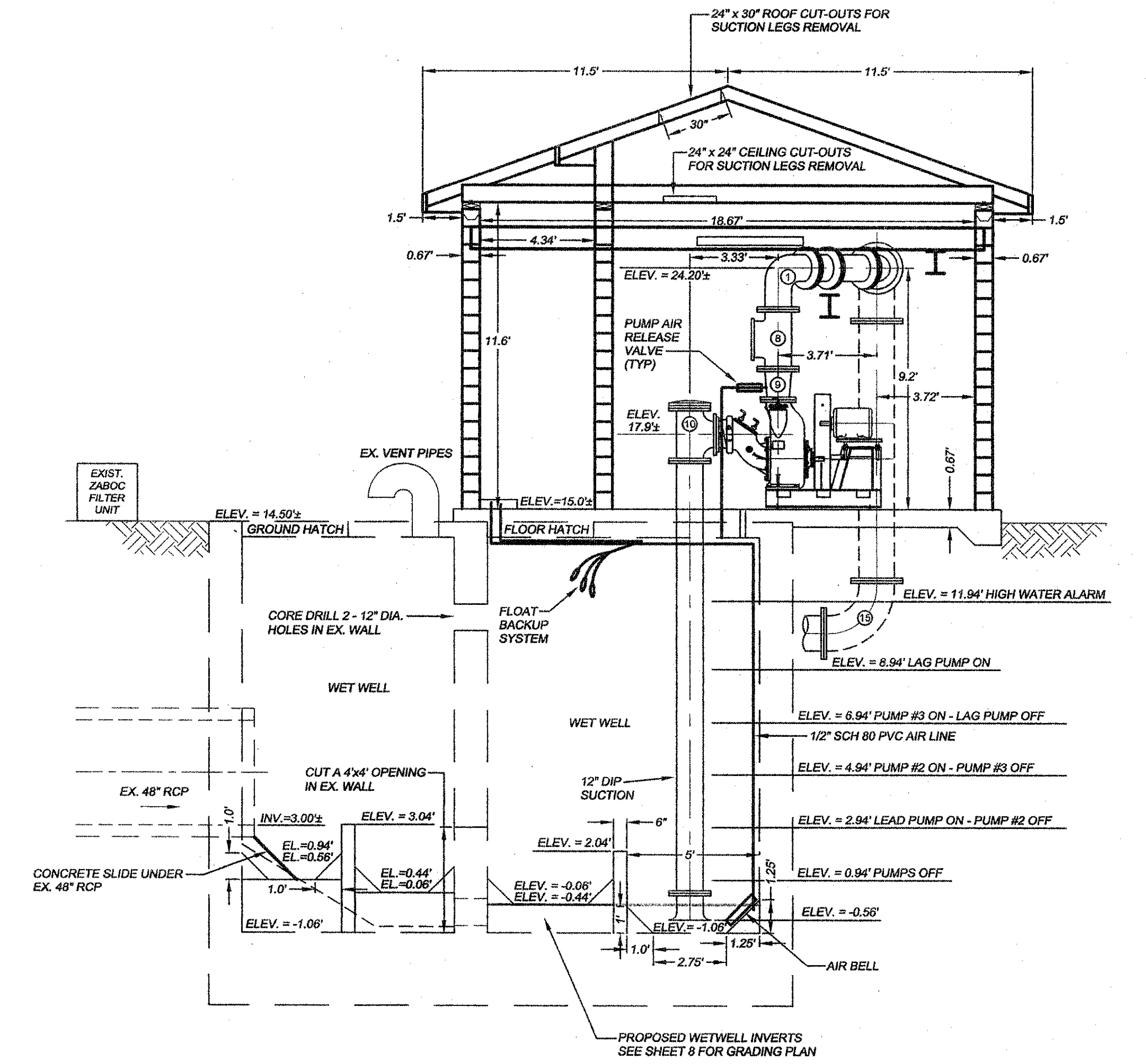


PLAN VIEW
 SCALE: 1\"/>



FRONT VIEW SECTION 'A'-A'
 SCALE: 1\"/>

- PARTS LIST**
- ① 12\"/>
 - ② 12\"/>
 - ③ 12\"/>
 - ④ 12\"/>
 - ⑤ 16\"/>
 - ⑥ 16\"/>
 - ⑦ 16\"/>
 - ⑧ 12\"/>
 - ⑨ 12\"/>
 - ⑩ 12\"/>
 - ⑪ 12\"/>
 - ⑫ 12\"/>
 - ⑬ 16\"/>
 - ⑭ 12\"/>
 - ⑮ 16\"/>



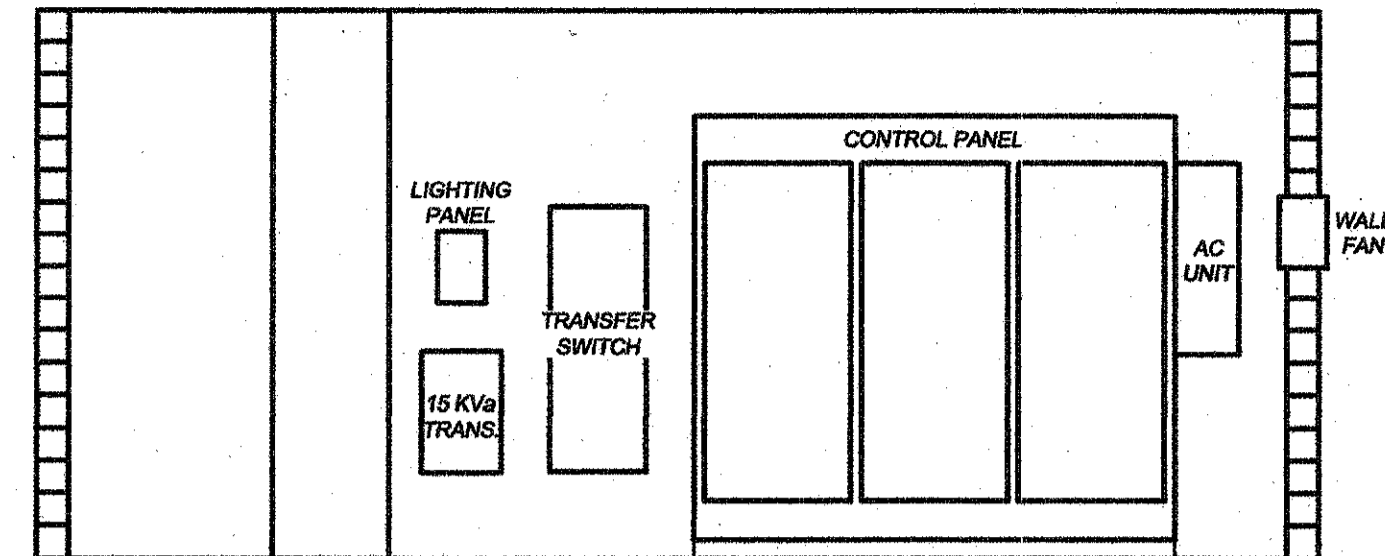
SIDE VIEW SECTION 'A'-A'
 SCALE: 1\"/>

CHESTNUT ROAD PUMP STATION PROPOSED CONDITIONS
 SCALE: 1\"/>

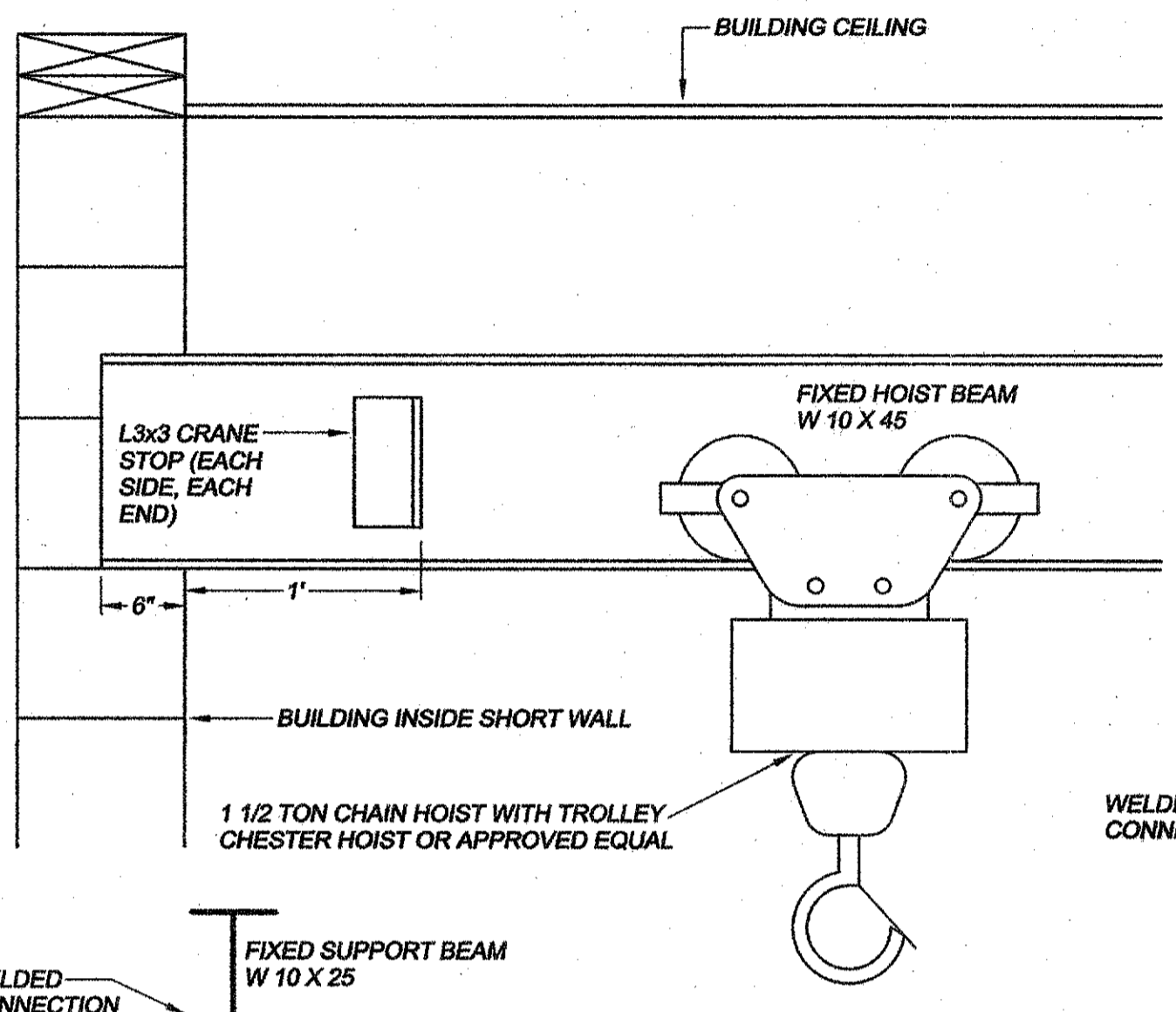
NO.	DATE	REVISION DESCRIPTION	BY

PROPOSED PUMP STATION
CHESTNUT ROAD PUMP STATION
HORRY COUNTY, SOUTH CAROLINA
 PREPARED FOR: CITY OF MYRTLE BEACH

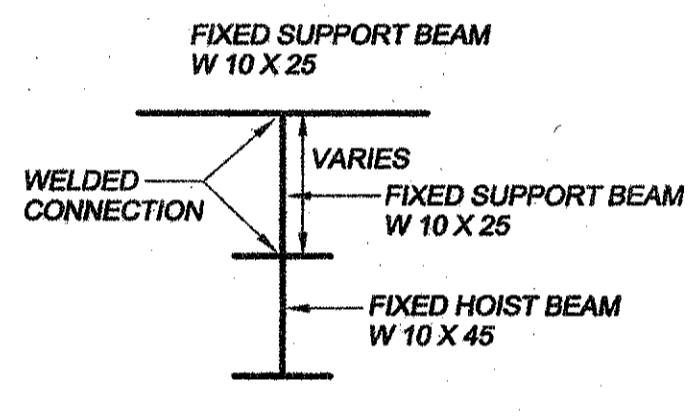
SCALE: 1\"/>
 DATE: 11/08/15
 DESIGNED BY: EKS
 DRAWN BY: PES / K/JG
 APPROV. BY: EKS
 PROJECT NO.: 14947E
7
 FILE NO.:



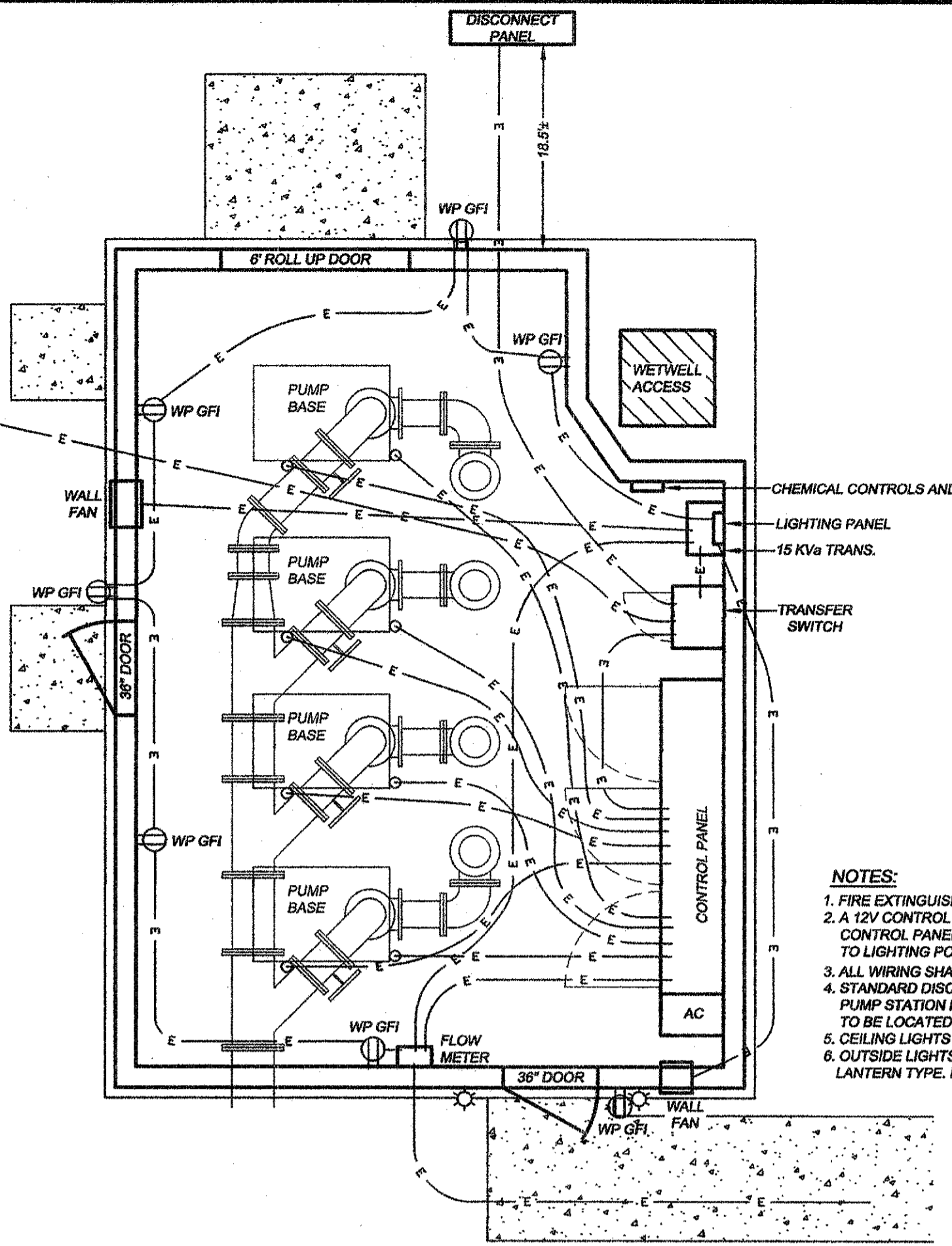
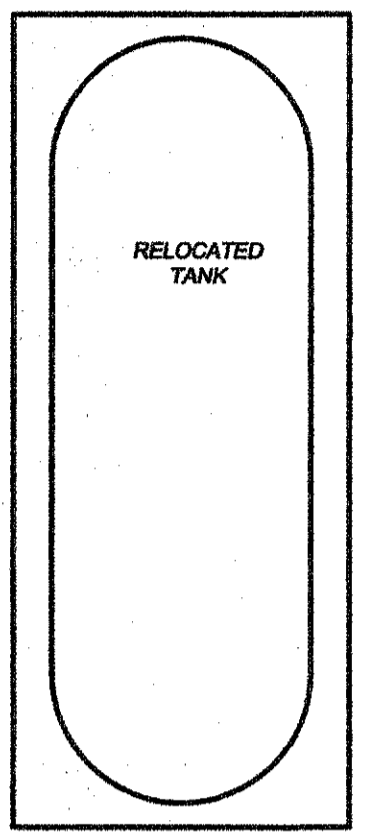
ELECTRICAL WALL VIEW
SCALE: 1"=4'



SECTION "A-A"
NOT TO SCALE

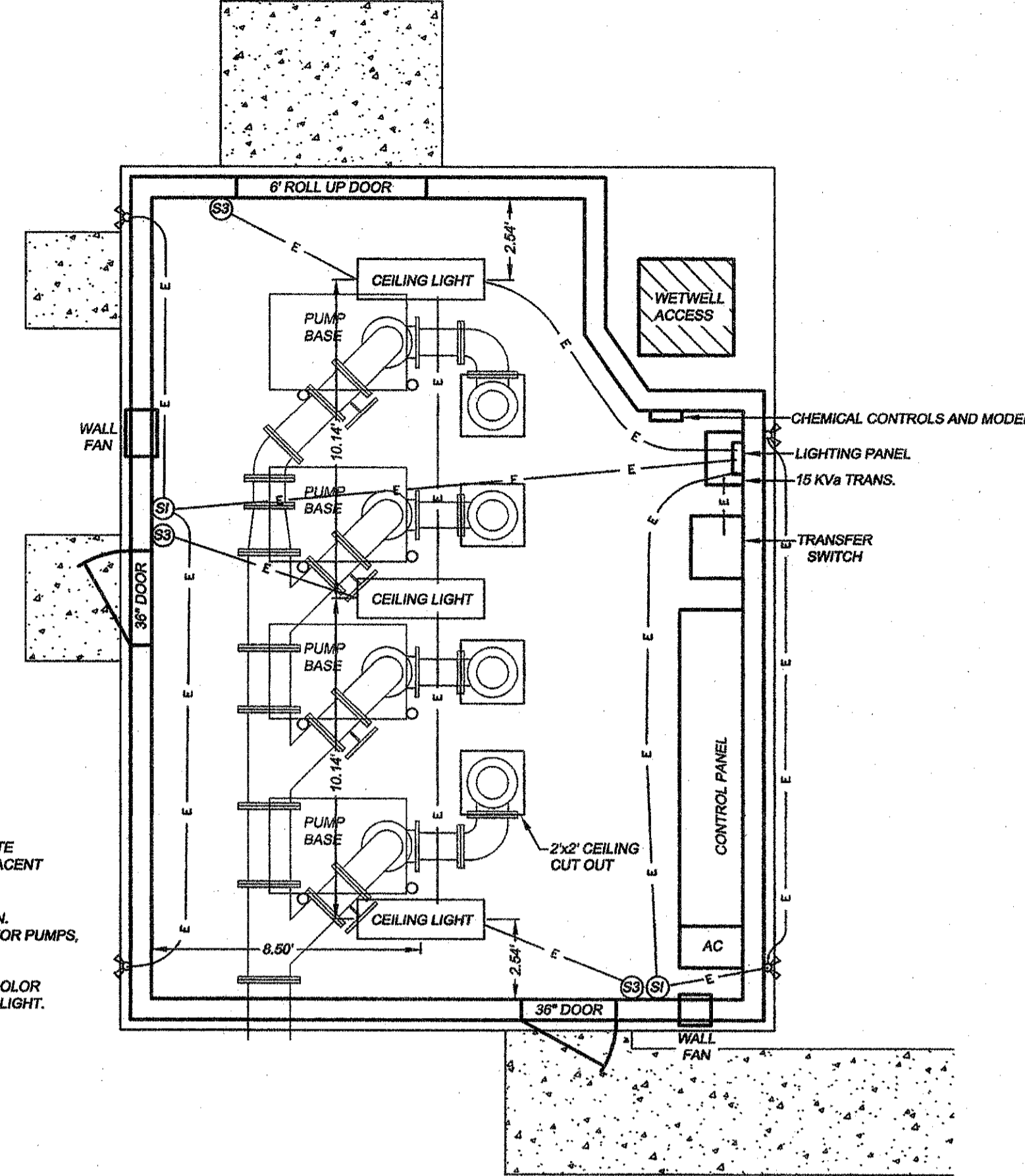


SECTION "B-B"
NOT TO SCALE

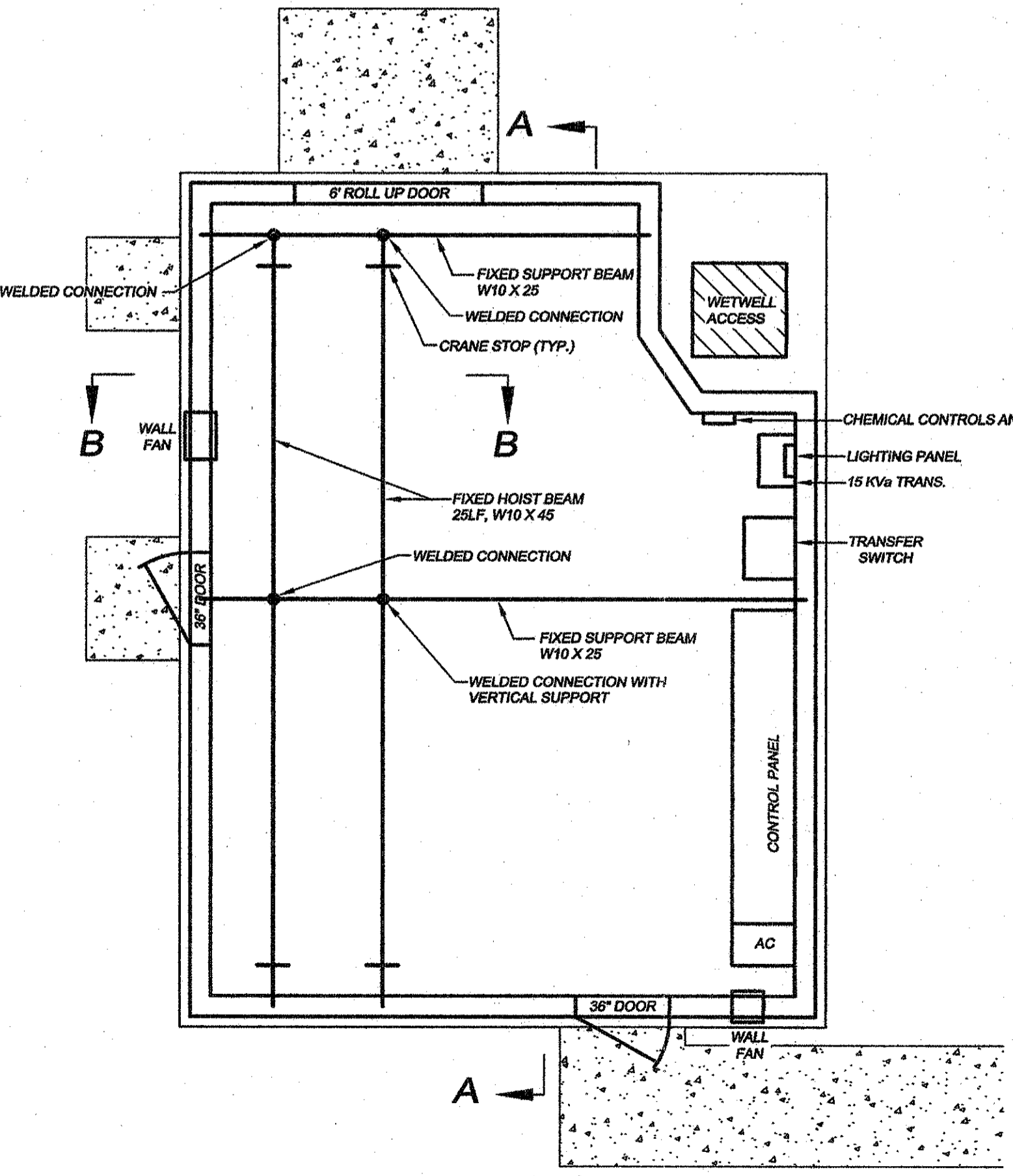


PROPOSED BUILDING ELECTRICAL FLOOR PLAN
SCALE: 1"=4'

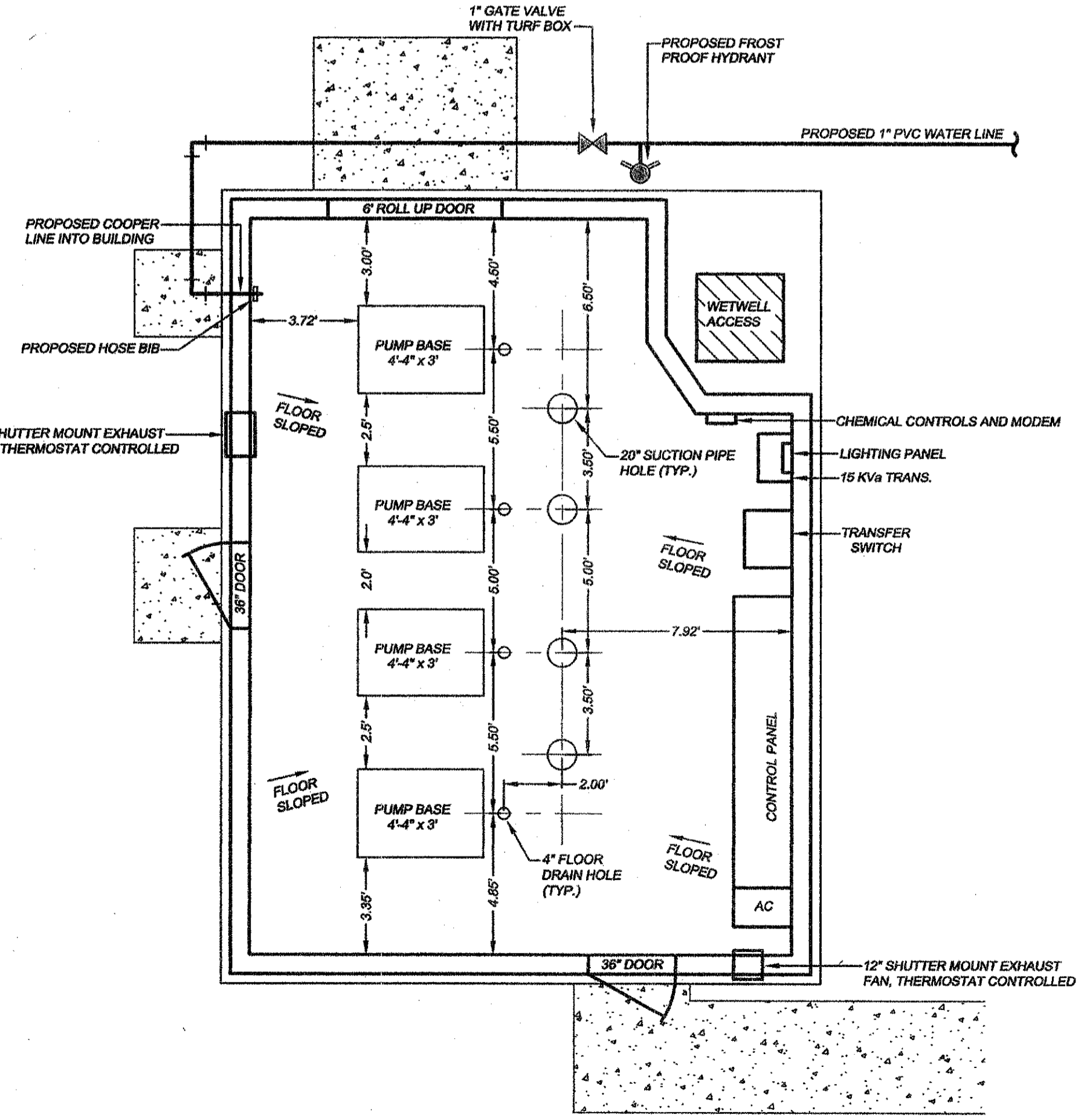
- NOTES:**
1. FIRE EXTINGUISHER PROVIDED SHALL BE CLASS C.
 2. A 12V CONTROL CIRCUIT FOR THE GENERATOR SET SHALL BE WIRED TO A SEPARATE CONTROL PANEL AS PROVIDED BY THE MANUFACTURER AND PANEL LOCATED ADJACENT TO LIGHTING POWER PANEL.
 3. ALL WIRING SHALL BE 3-#12, 1/2 EMT UNLESS OTHERWISE NOTED.
 4. STANDARD DISCONNECT SWITCH SHALL BE PROVIDED FOR ALL MOTORS AS SHOWN. PUMP STATION MANUFACTURER SHALL PROVIDED PROPER DISCONNECT SWITCH FOR PUMPS, TO BE LOCATED IN OR ON THE ELECTRICAL CONTROL ENCLOSURE (ECE).
 5. CEILING LIGHTS ARE TO BE 4 FOOT LONG, 4 BULB FLUORESCENT LIGHT FIXTURES.
 6. OUTSIDE LIGHTS ARE TO BE 100 WATT BULB EQUIVALENT LED FIXTURES, 2-BLACK COLOR LANTERN TYPE. FLOOD LIGHTS TO BE 100 WATT EQUIVALENT DAYLIGHT LED FLOOD LIGHT.



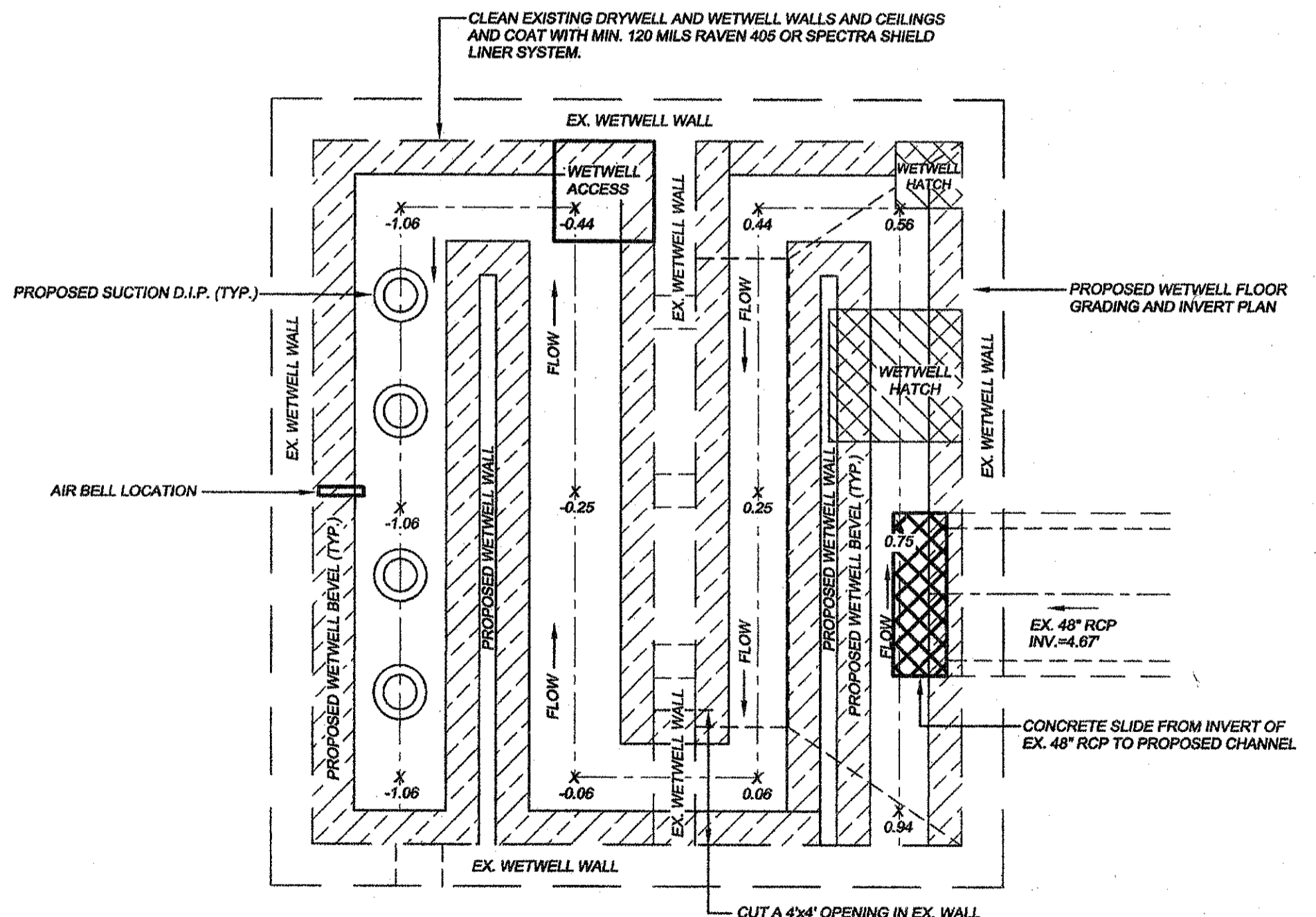
PROPOSED BUILDING ELECTRICAL CEILING PLAN
SCALE: 1"=4'



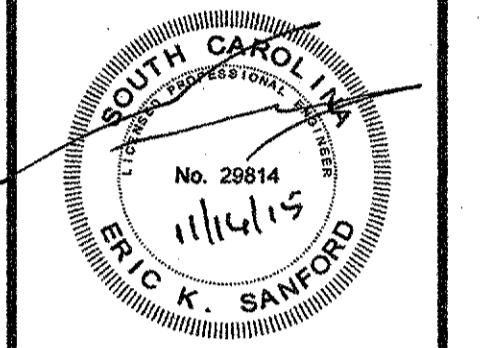
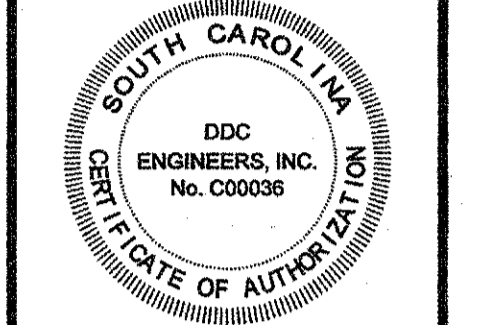
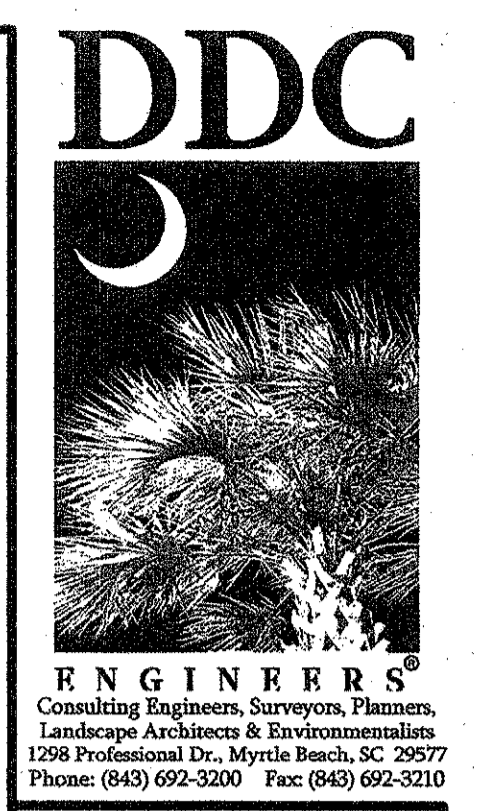
PROPOSED BUILDING CEILING PLAN
SCALE: 1"=4'



PROPOSED BUILDING FLOOR PLAN
SCALE: 1"=4'



EXISTING WETWELL FLOOR PLAN
SCALE: 1"=4'

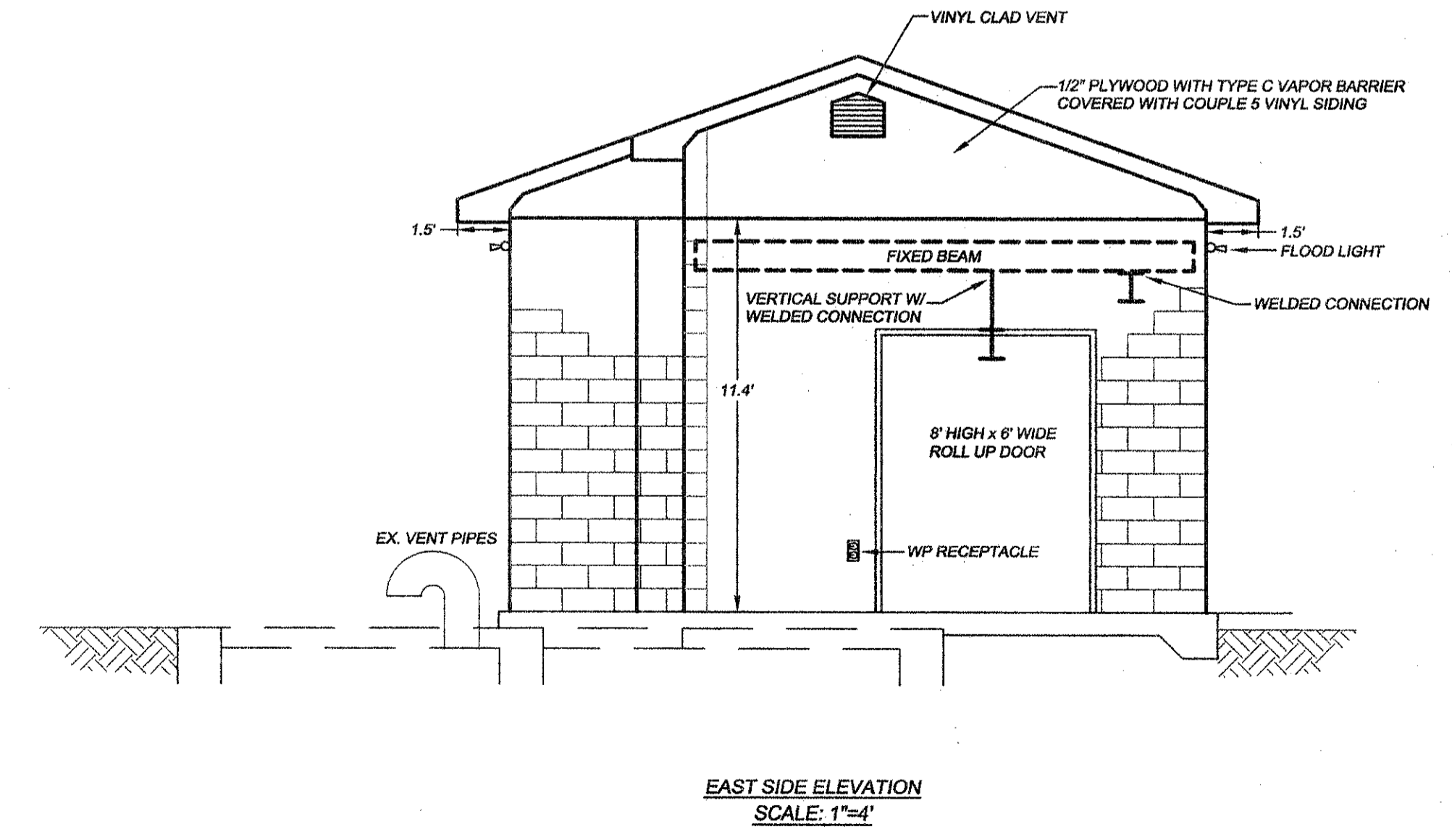
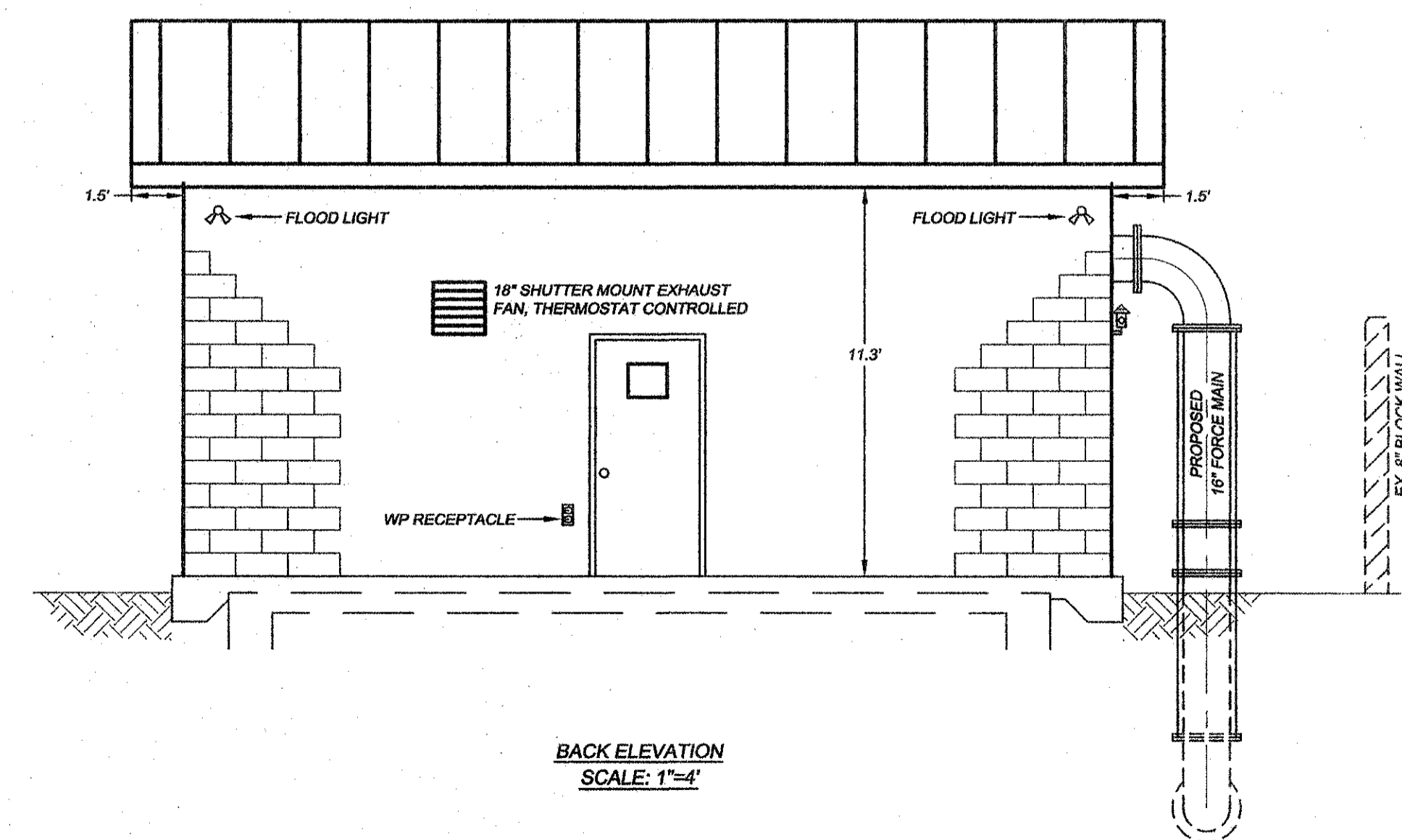
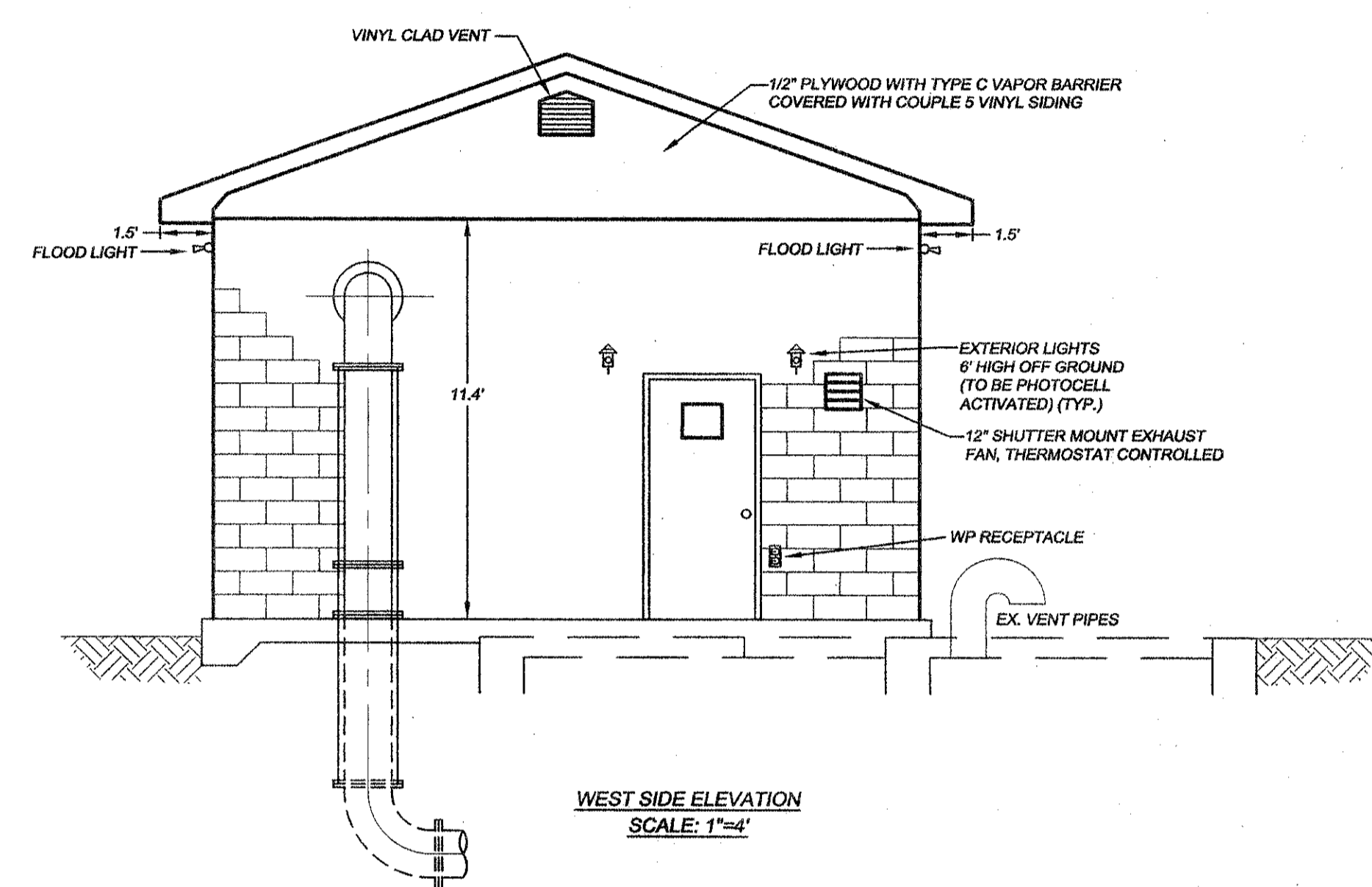
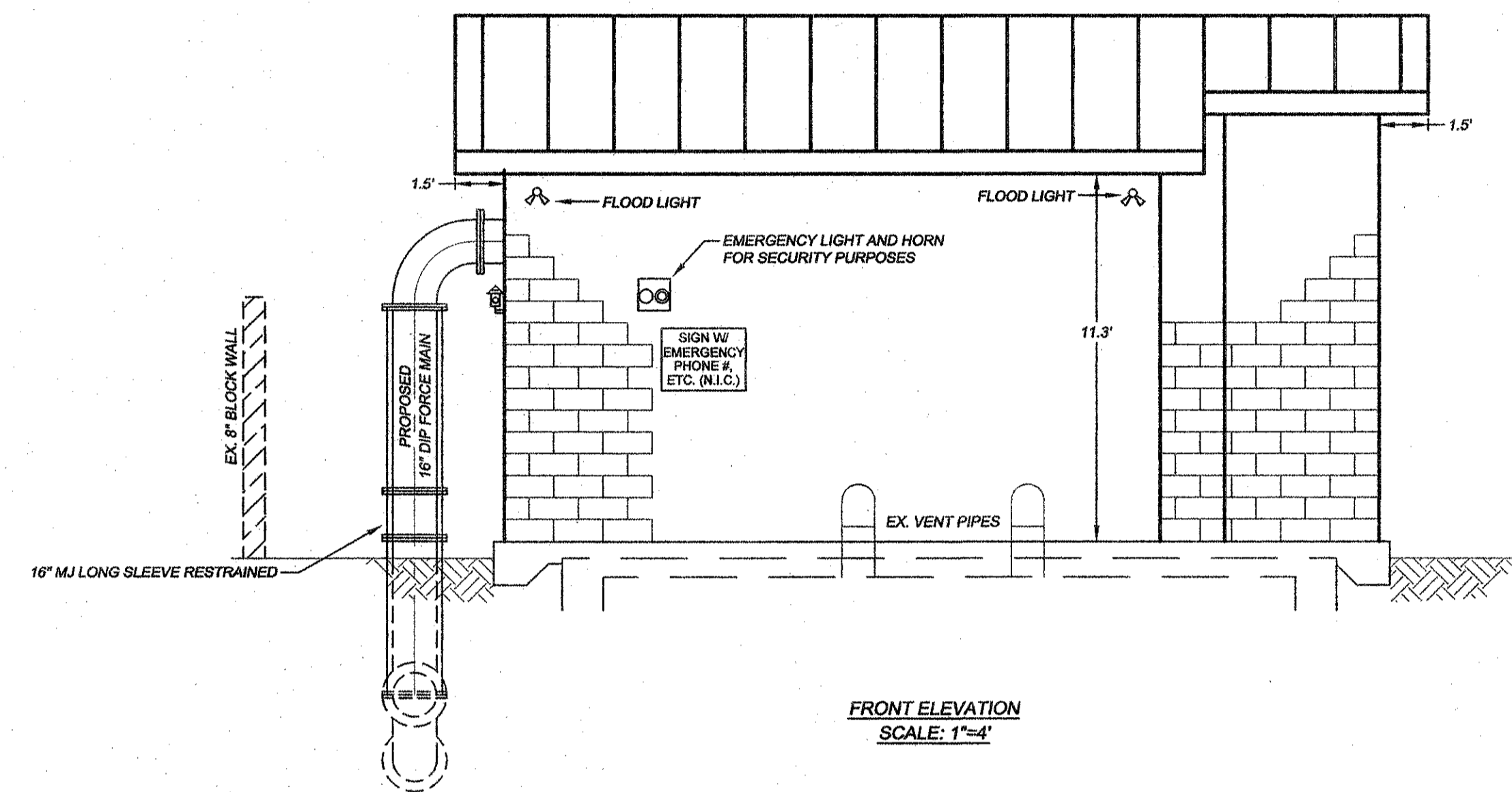
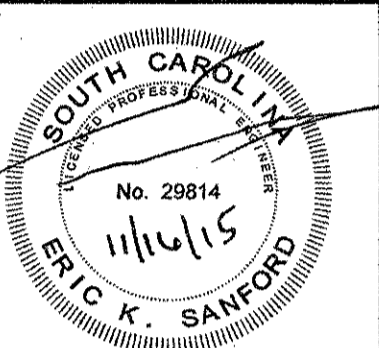
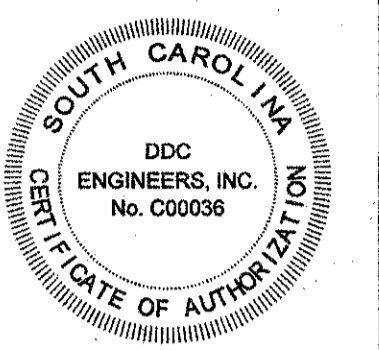


NO.	DATE	REVISION DESCRIPTION	BY

PROPOSED PUMP STATION BUILDING
CHESTNUT ROAD PUMP STATION
HORRY COUNTY, SOUTH CAROLINA
PREPARED FOR: CITY OF MYRTLE BEACH

SCALE:	1"=4'
DATE:	11/08/15
DESIGNED BY:	EKS
DRAWN BY:	PES / K/JG
APPROV. BY:	EKS
PROJECT NO.:	14847E
8	
FILE NO.:	

PLOT SCALE: 1"=4' PDP FILE: MWD0027E

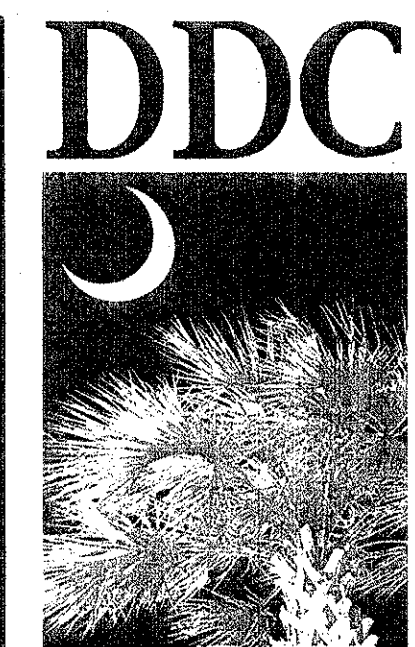


- NOTES:**
- DESIGN SPECIFICATIONS IBC 2015 IBC, IPC AND 2005 NES.
 - BUILDING TO BE CONSTRUCTED OF 8" CONCRETE BLOCK WITH STUCCO FACING.
 - ALL DOORS TO BE RATED AT 130 MILES PER HOUR WIND LOAD.

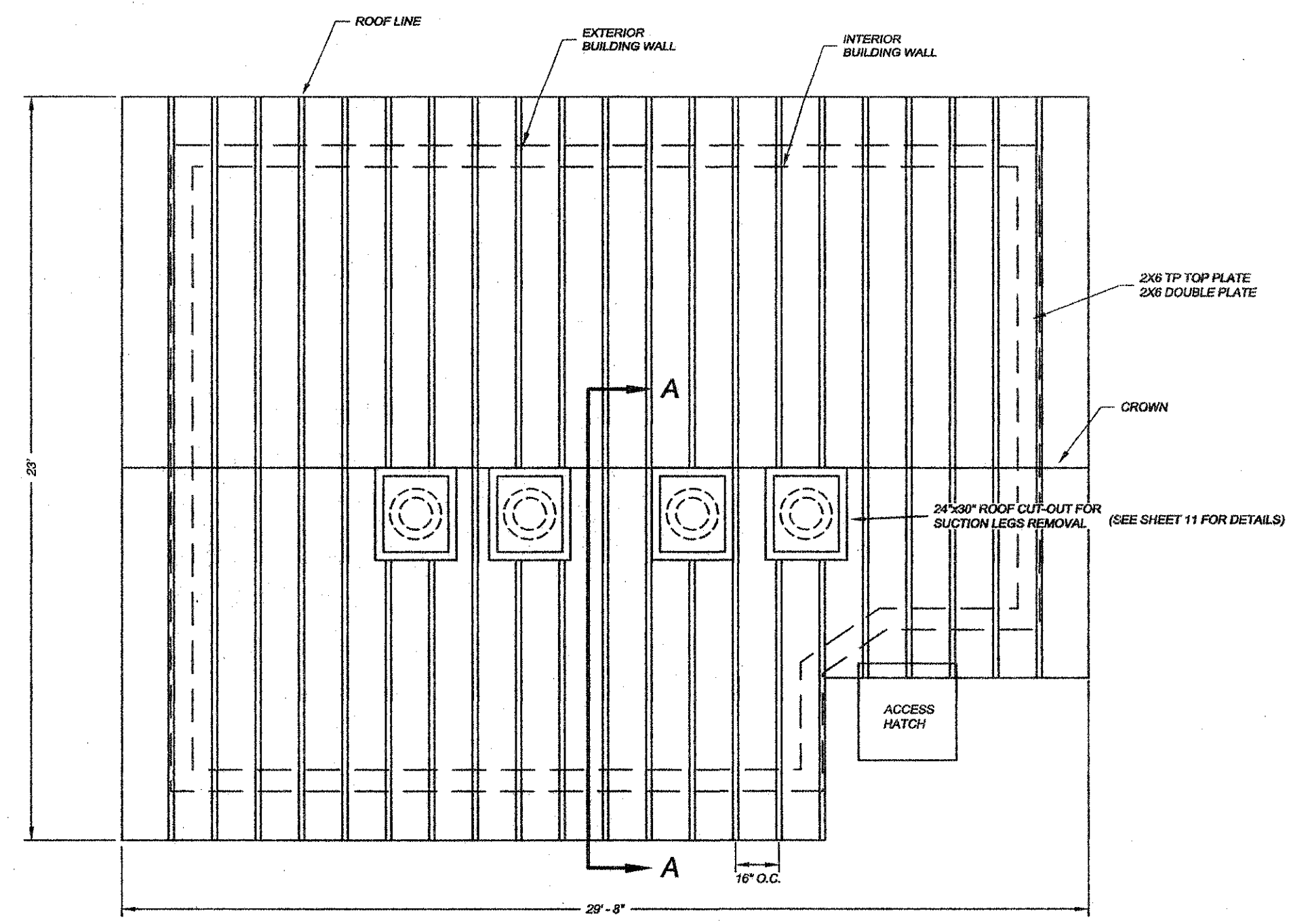
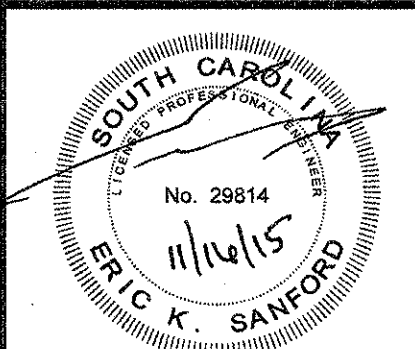
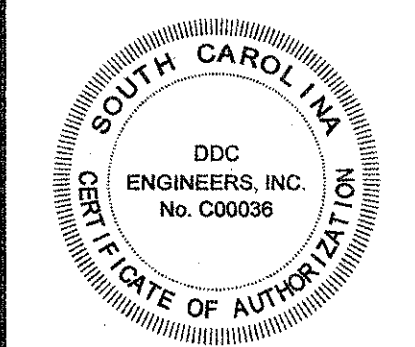
NO.	DATE	REVISION DESCRIPTION	BY

PROPOSED PUMP STATION BUILDING
 CHESTNUT ROAD PUMP STATION
 HORRY COUNTY, SOUTH CAROLINA
 PREPARED FOR: CITY OF MYRTLE BEACH

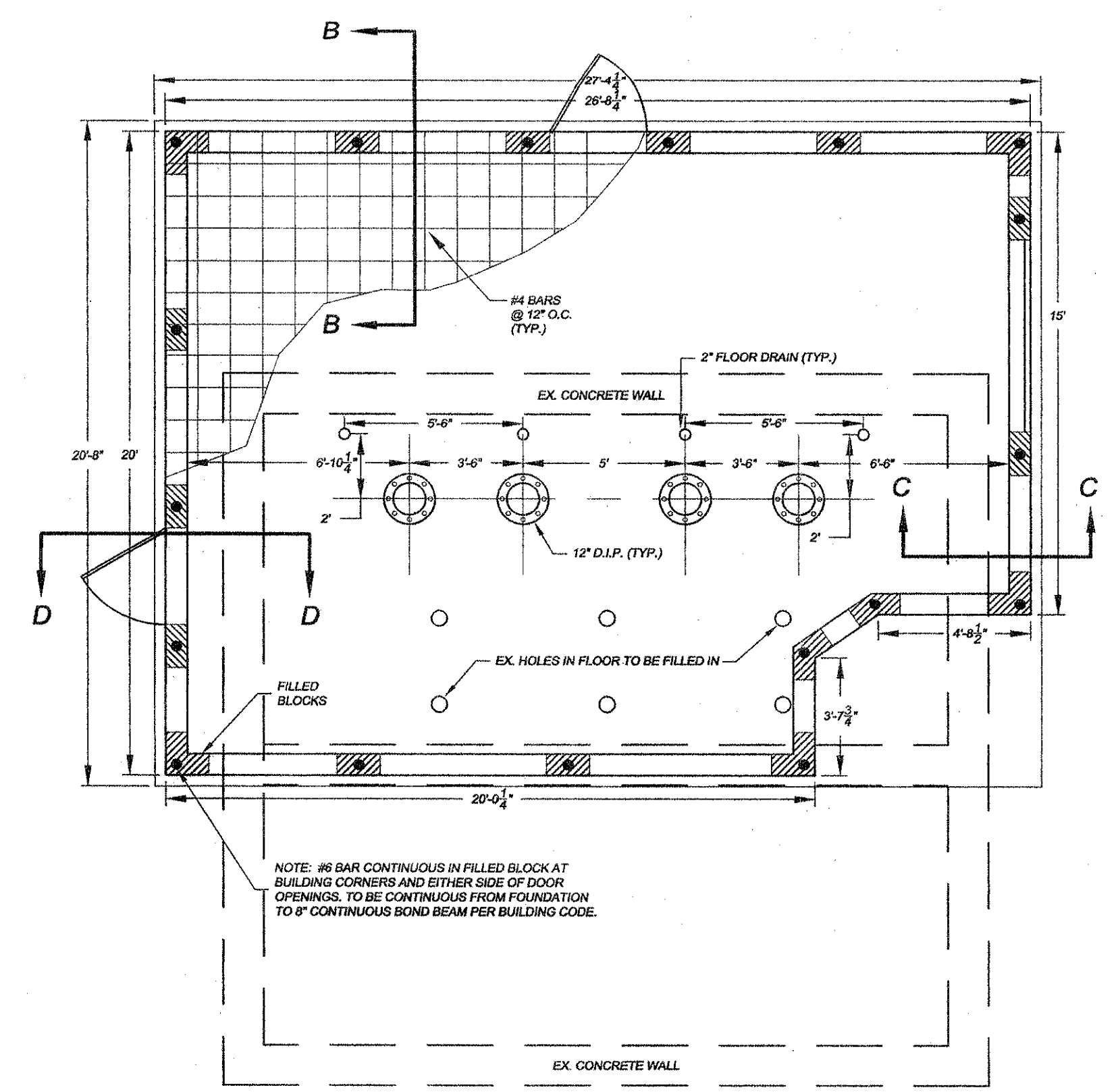
SCALE:	1" = 4'
DATE:	11/06/15
DESIGNED BY:	EKS
DRAWN BY:	PES / KJG
APPROV. BY:	EKS
PROJECT NO.:	14947E
9	
FILE NO.:	



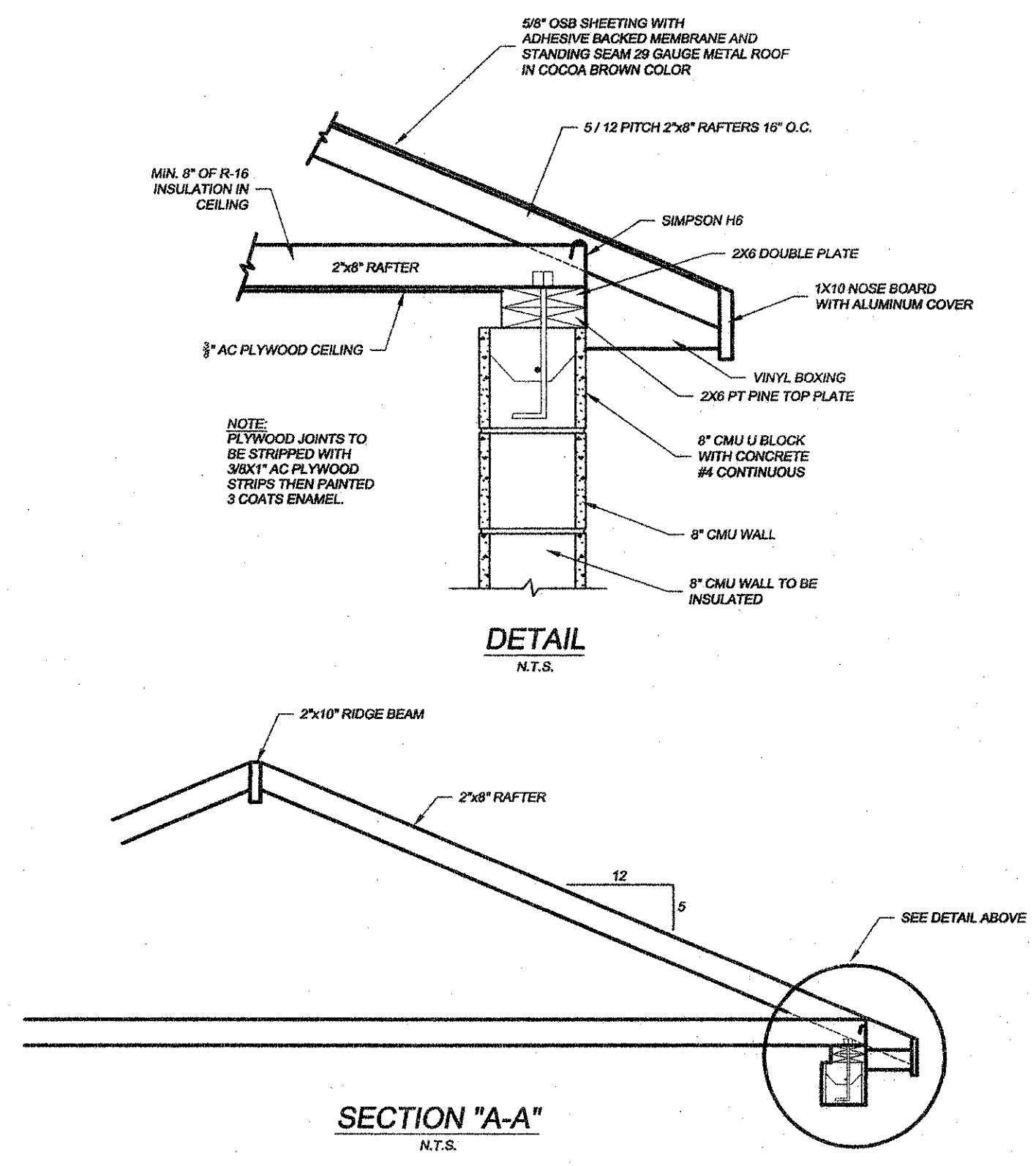
DDC ENGINEERS
 Consulting Engineers, Surveyors, Planners,
 Landscape Architects & Environmentalists
 1298 Professional Dr., Myrtle Beach, SC 29577
 Phone: (843) 692-3200 Fax: (843) 692-3210



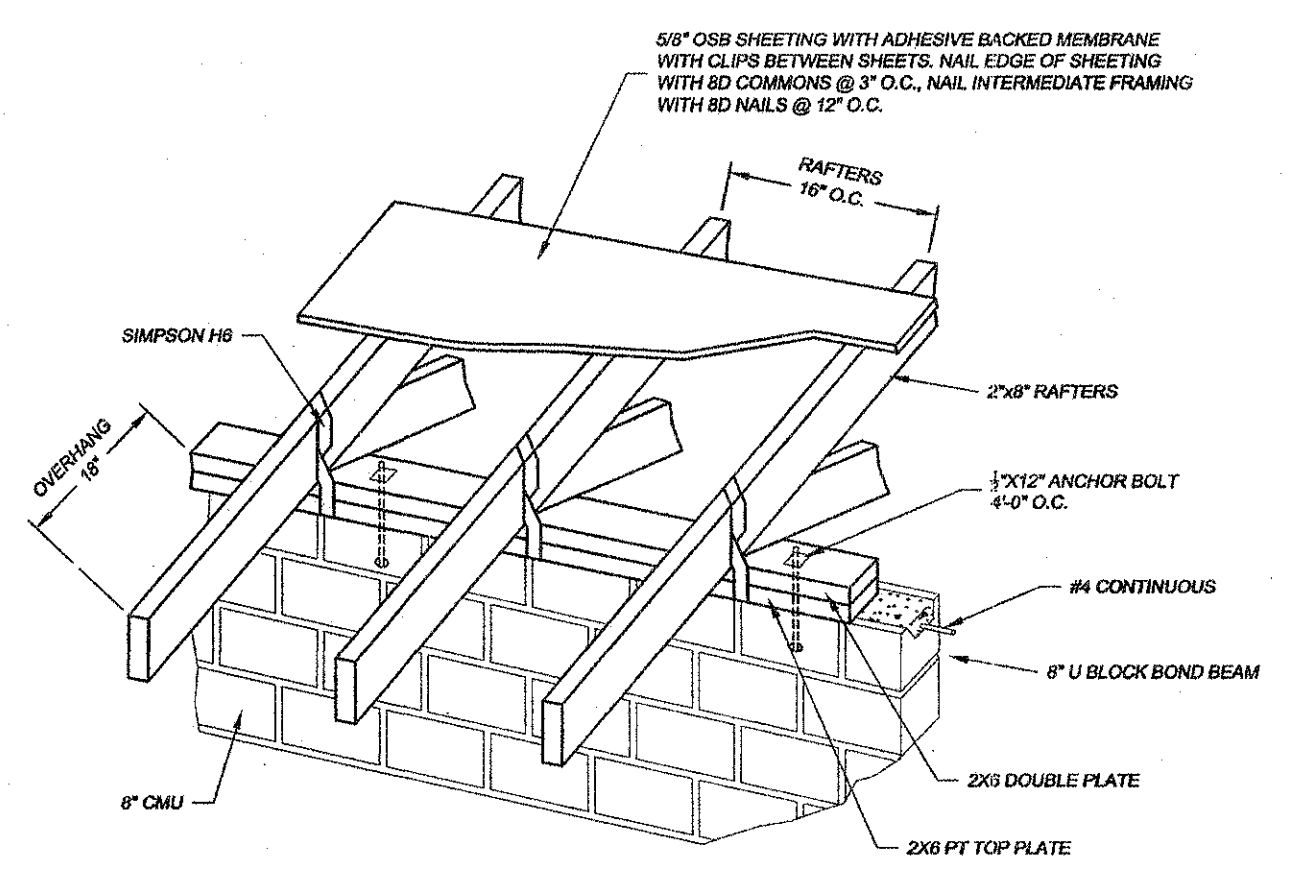
RAFTER PLAN
 SCALE: 1/4"=1'-0"



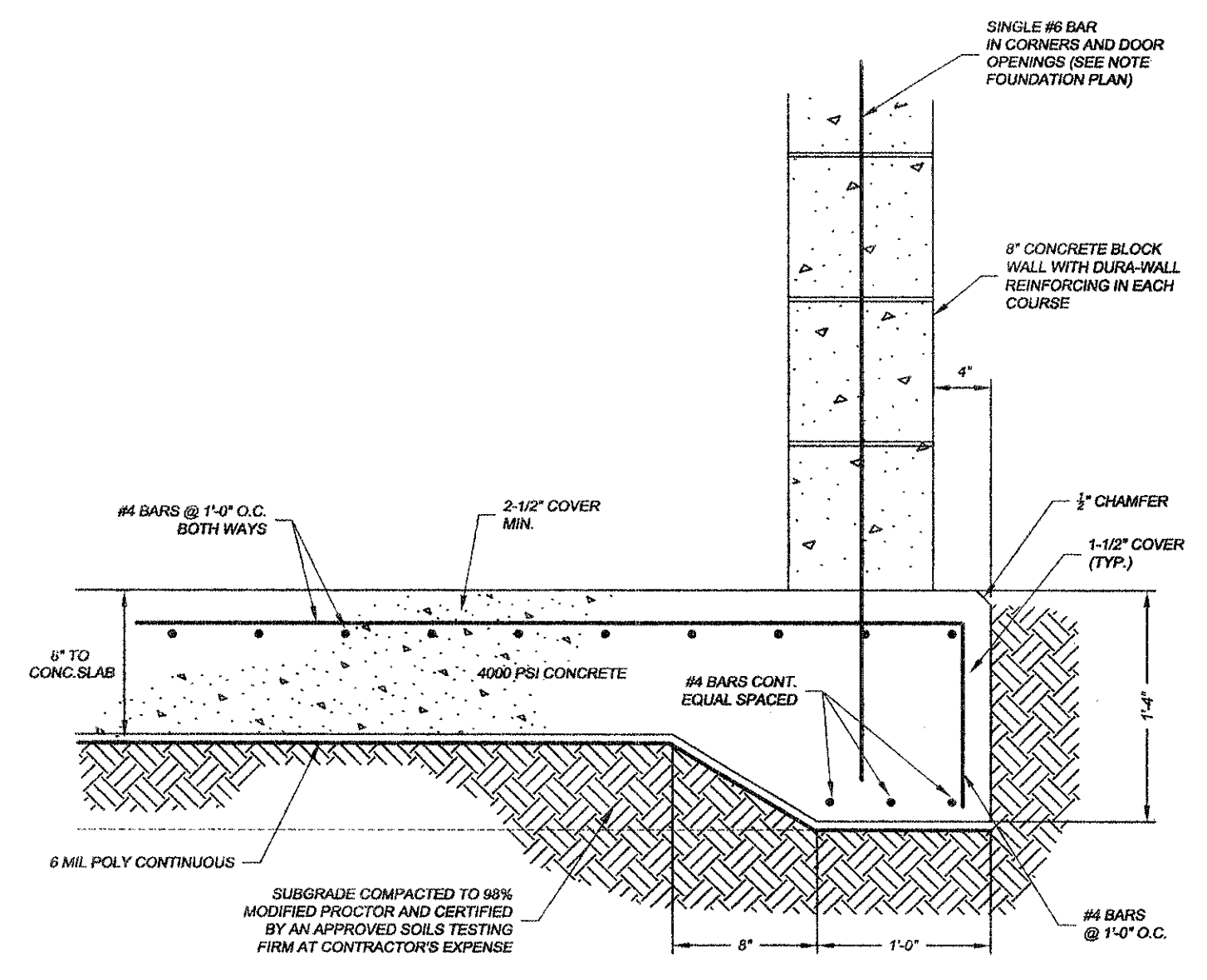
FOUNDATION PLAN
 SCALE: 1/4"=1'-0"



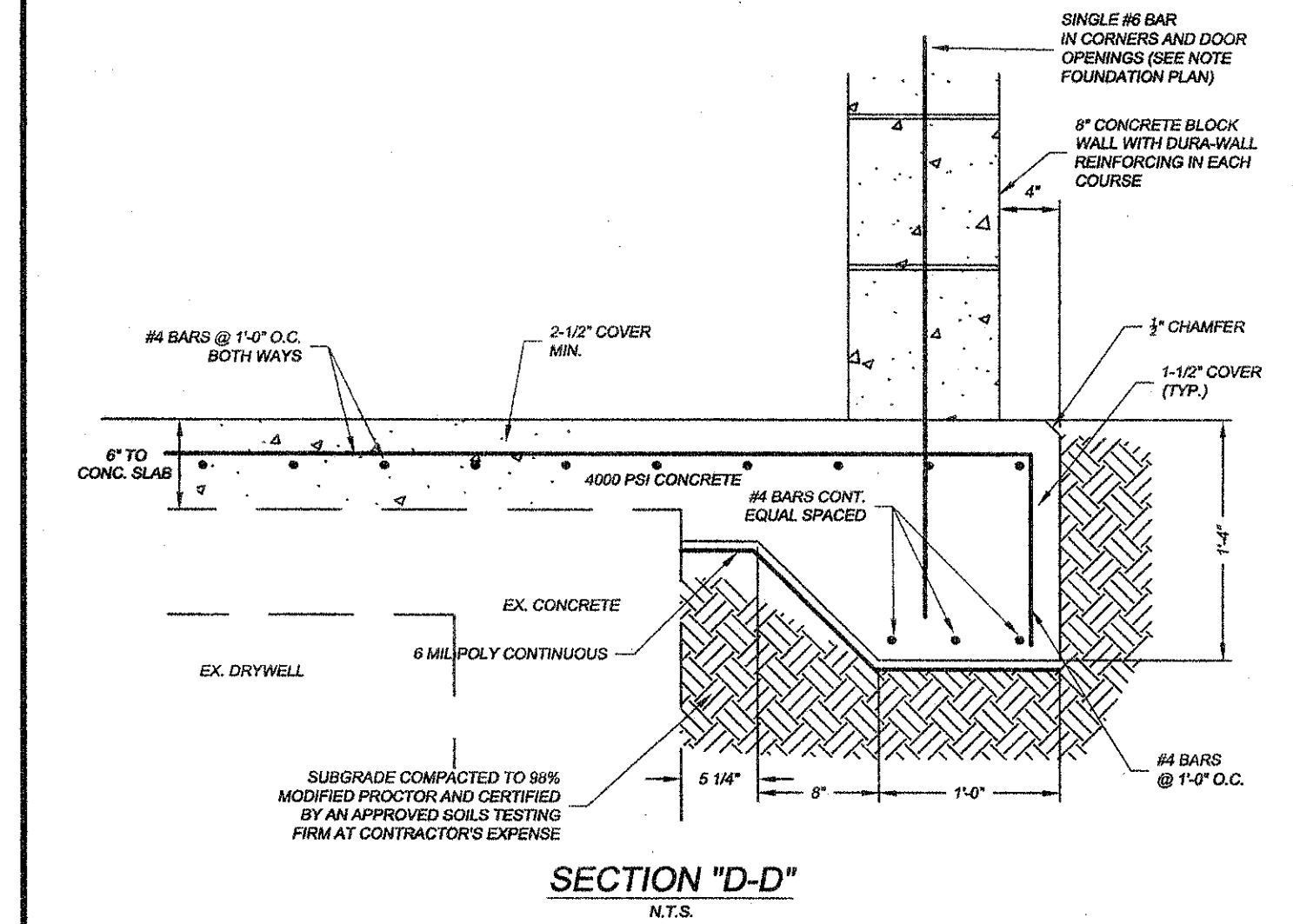
DETAIL
 N.T.S.



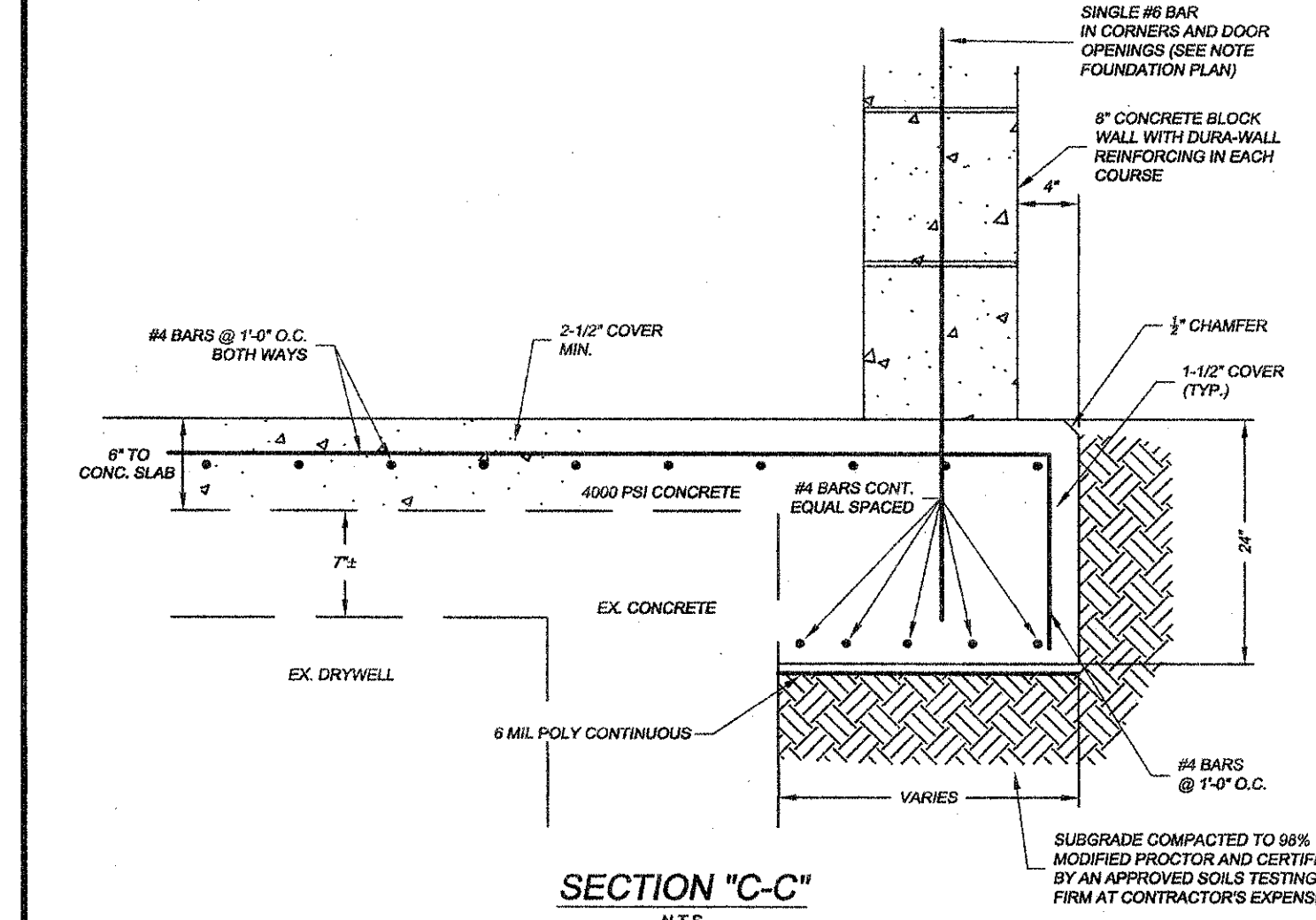
TOP PLATE DETAIL
 N.T.S.



SECTION "B-B"
 N.T.S.



SECTION "D-D"
 N.T.S.



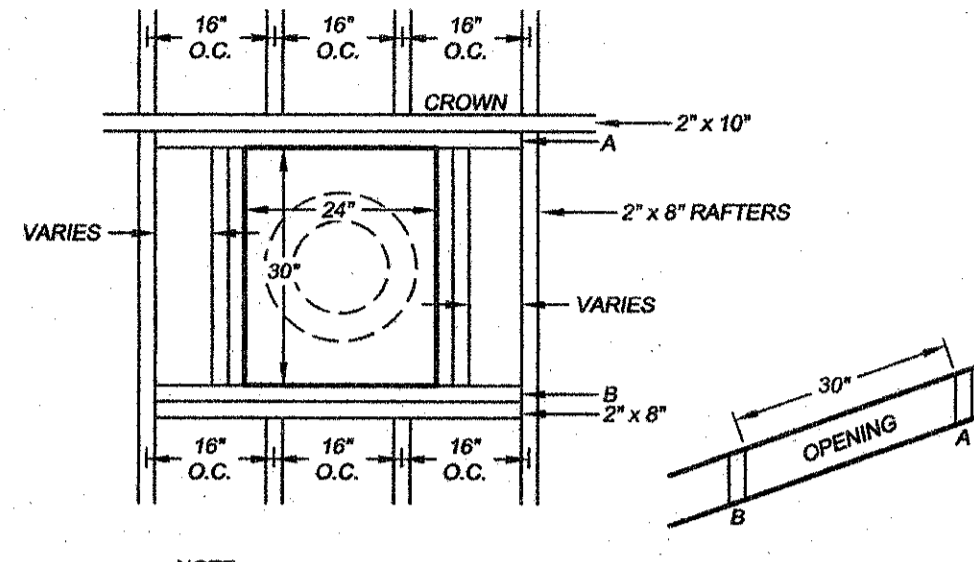
SECTION "C-C"
 N.T.S.

NO.	DATE	REVISION DESCRIPTION	BY

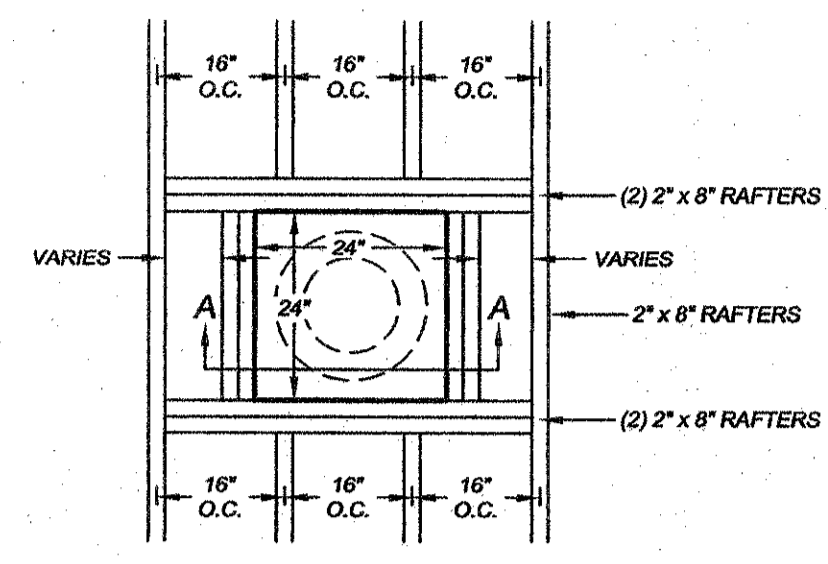
GENERAL DETAILS
CHESTNUT ROAD PUMP STATION
 Horry County, South Carolina
 PREPARED FOR: CITY OF MYRTLE BEACH

SCALE: 1" = 4'
 DATE: 11/08/15
 DESIGNED BY: EKS
 DRAWN BY: PES / KJG
 APPROV. BY: EKS
 PROJECT NO.: 14847E
10
 FILE NO.:

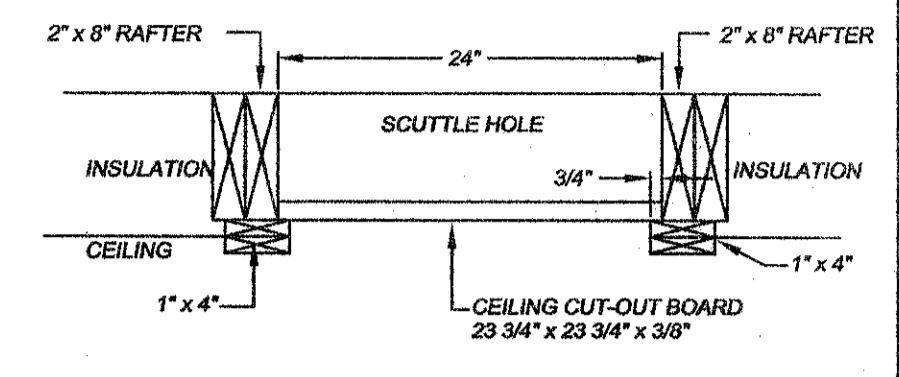
DATE SCALE: 1/4" = 1'-0" PLOT FILE: NEW00002.DWG



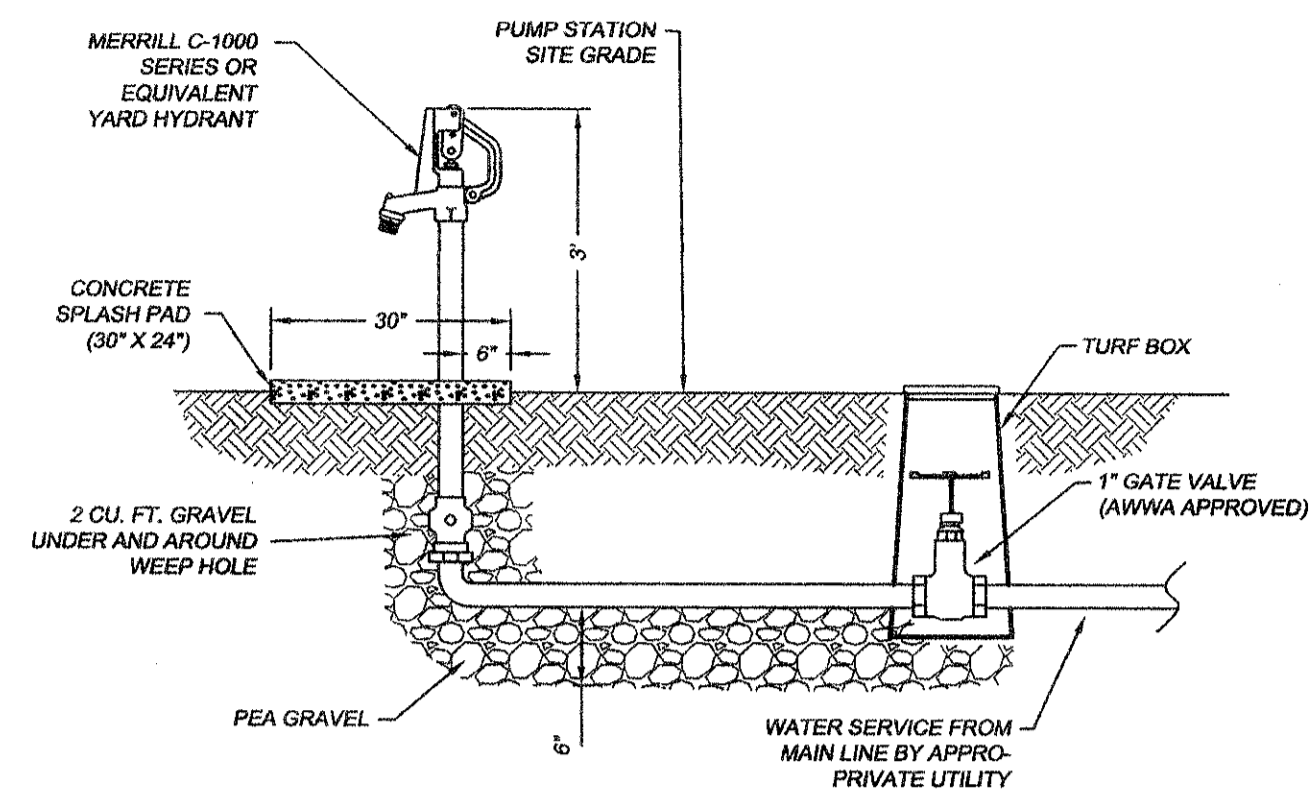
ROOF CUT-OUT DETAIL
SCALE: 1"=2'



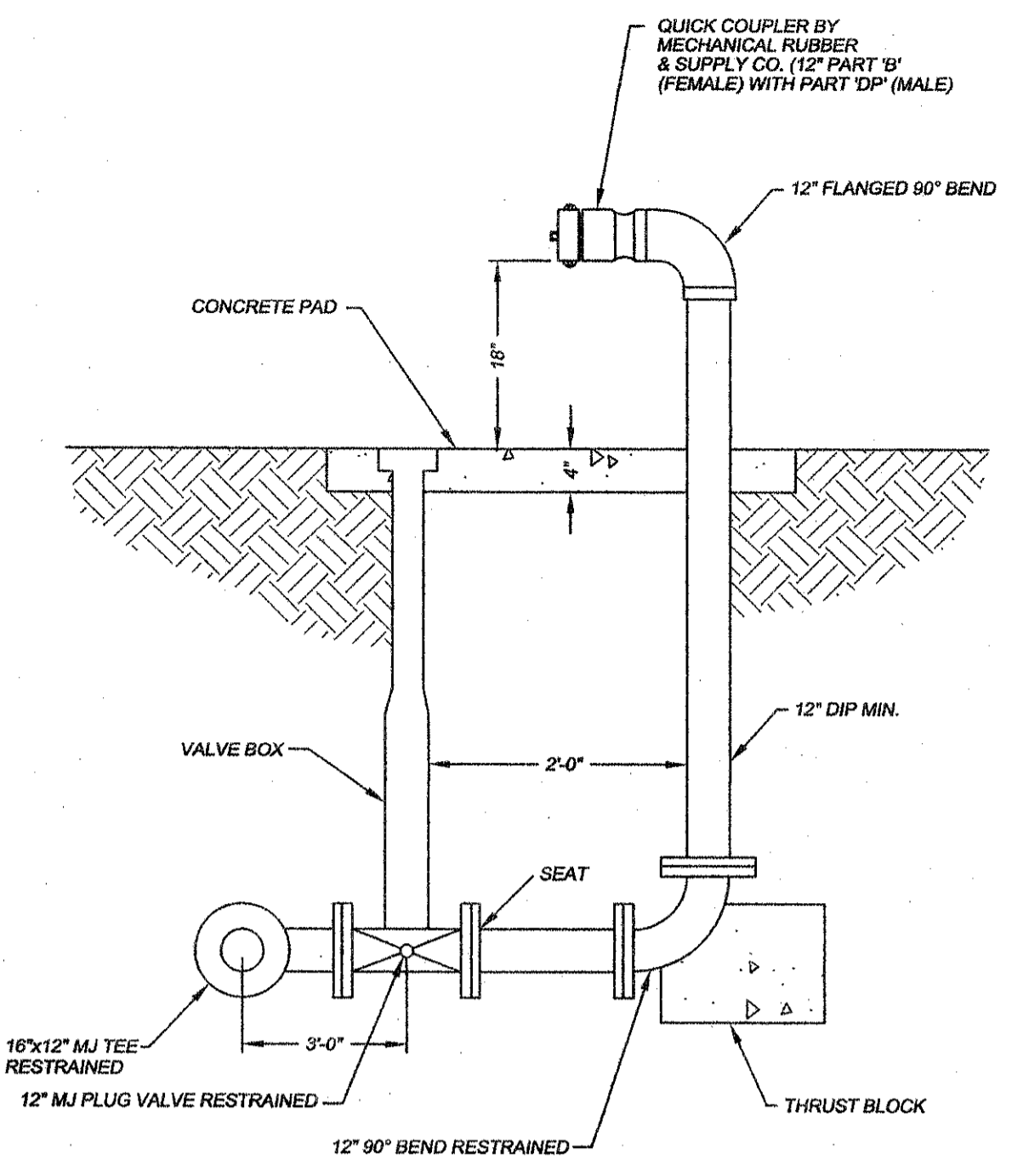
CEILING CUT-OUT DETAIL
SCALE: 1"=2'



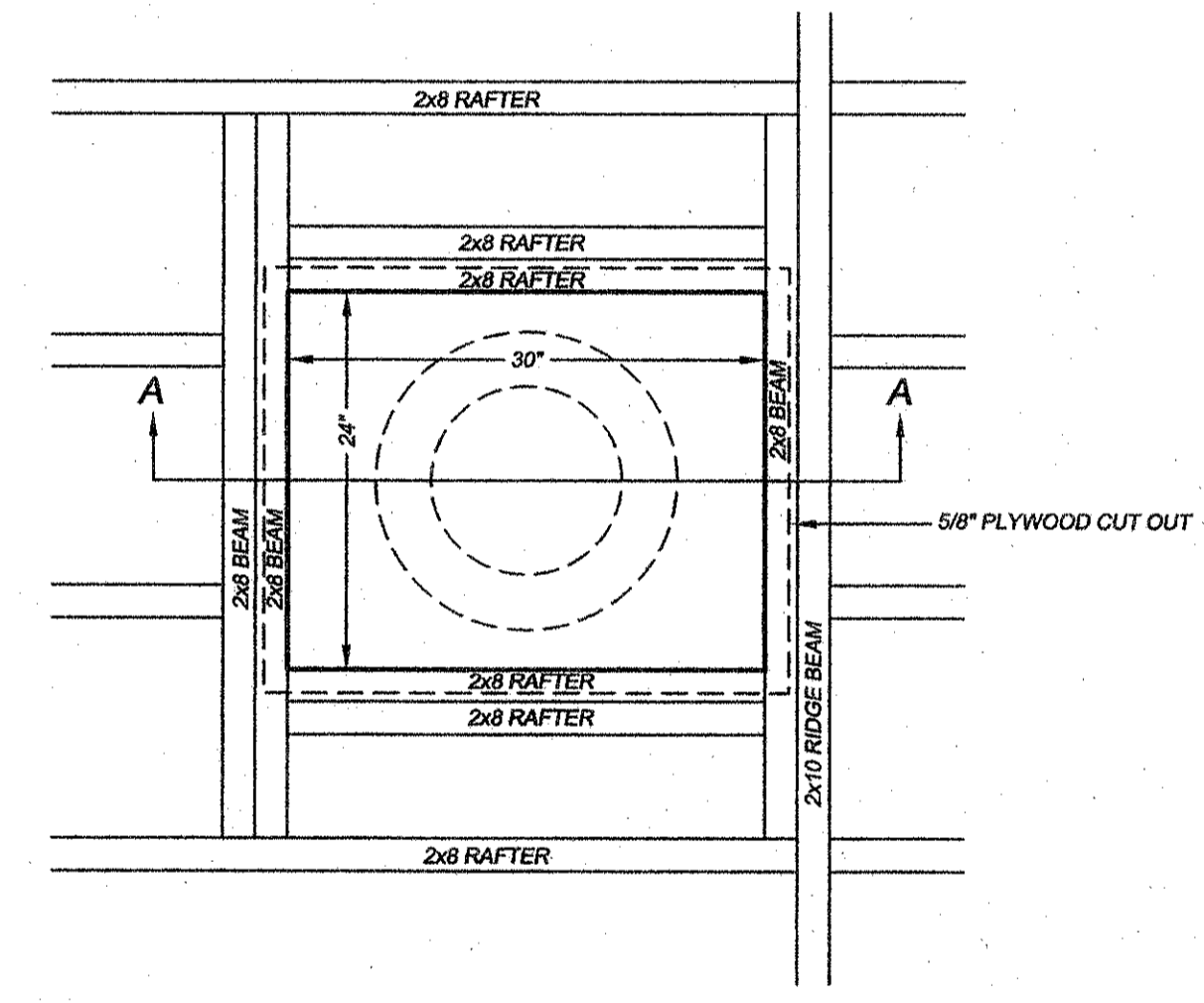
CEILING CUT-OUT DETAIL SECTION A-A
SCALE: 1"=1'



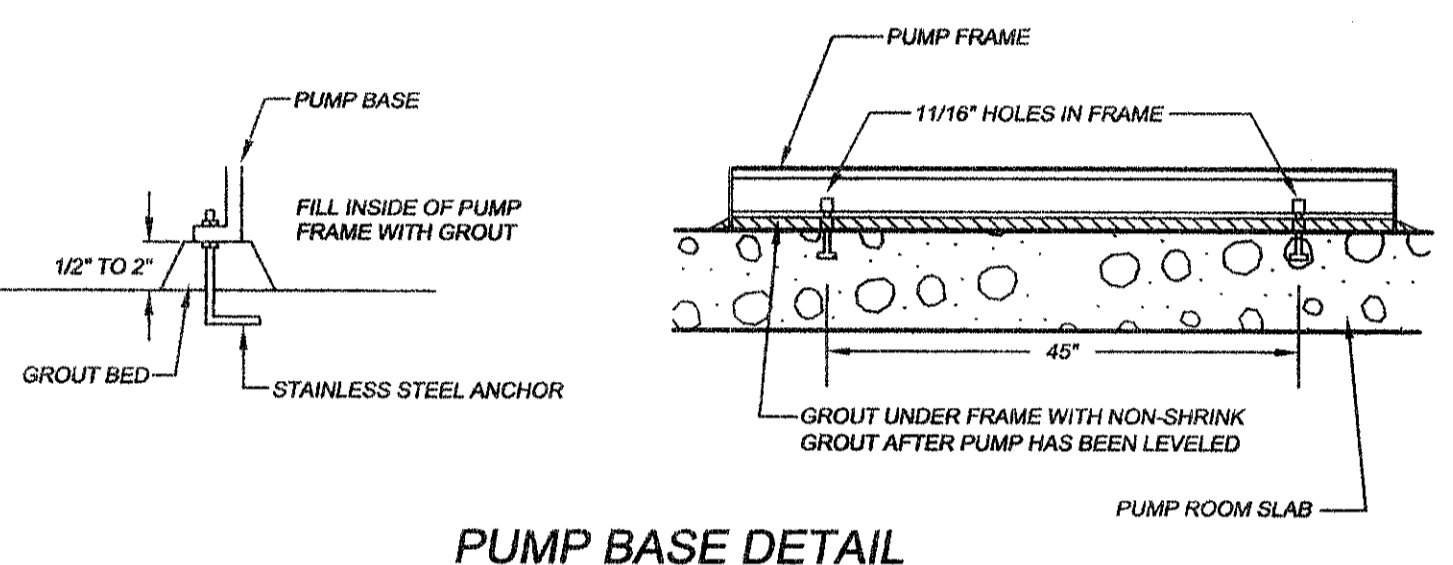
PUMP STATION YARD HYDRANT DETAIL
SCALE: N.T.S.



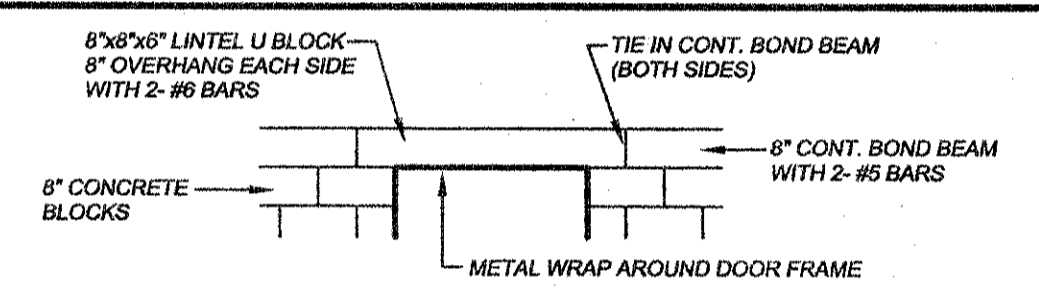
EMERGENCY CONNECTION DETAIL
SCALE: N.T.S.



TOP VIEW
SCALE: 1"=1'

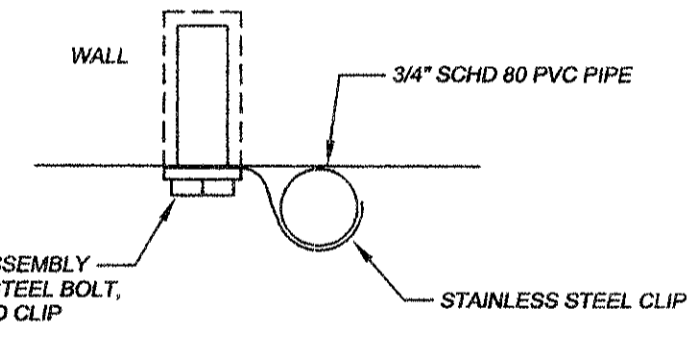


PUMP BASE DETAIL
NOT TO SCALE

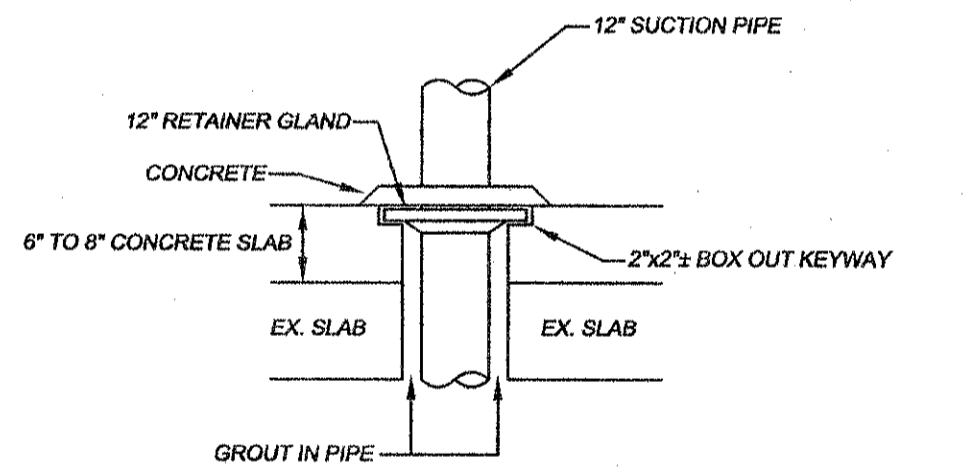


LINTEL BEAM DETAIL
NOT TO SCALE

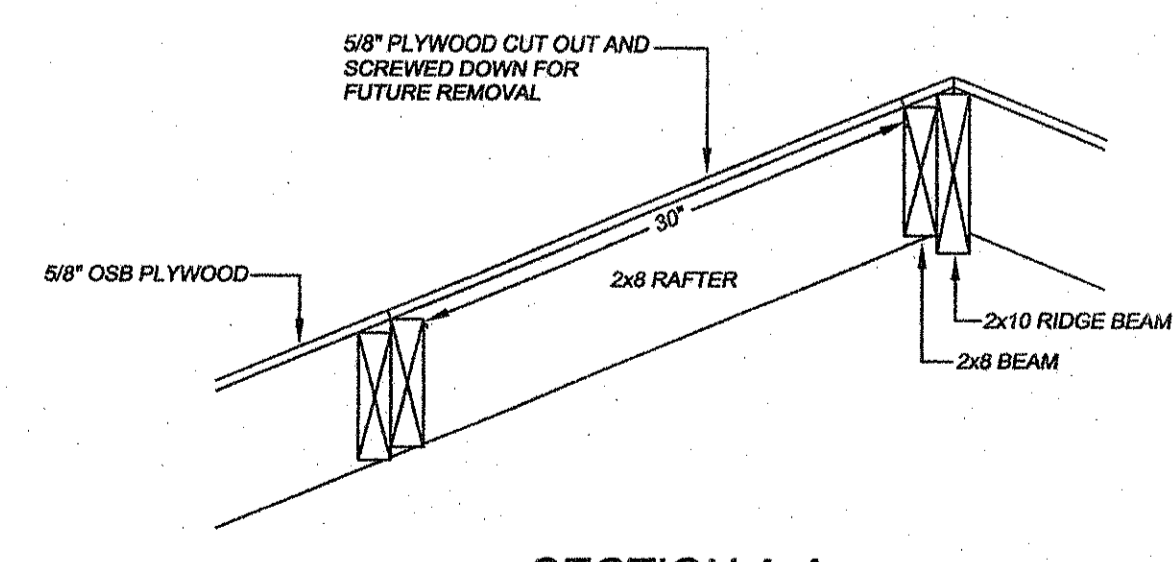
USE STAINLESS STEEL STRAPS, BOLTS AND STAINLESS STEEL QUICK BOLTS. LOCATE BUBBLER ON SHELF BY LADDER, USE 3/4" DIA. STAINLESS STEEL ROD IN SHELF. NO COMPONENTS CAN BE MAGNETIC.



STRAP DETAIL
NOT TO SCALE

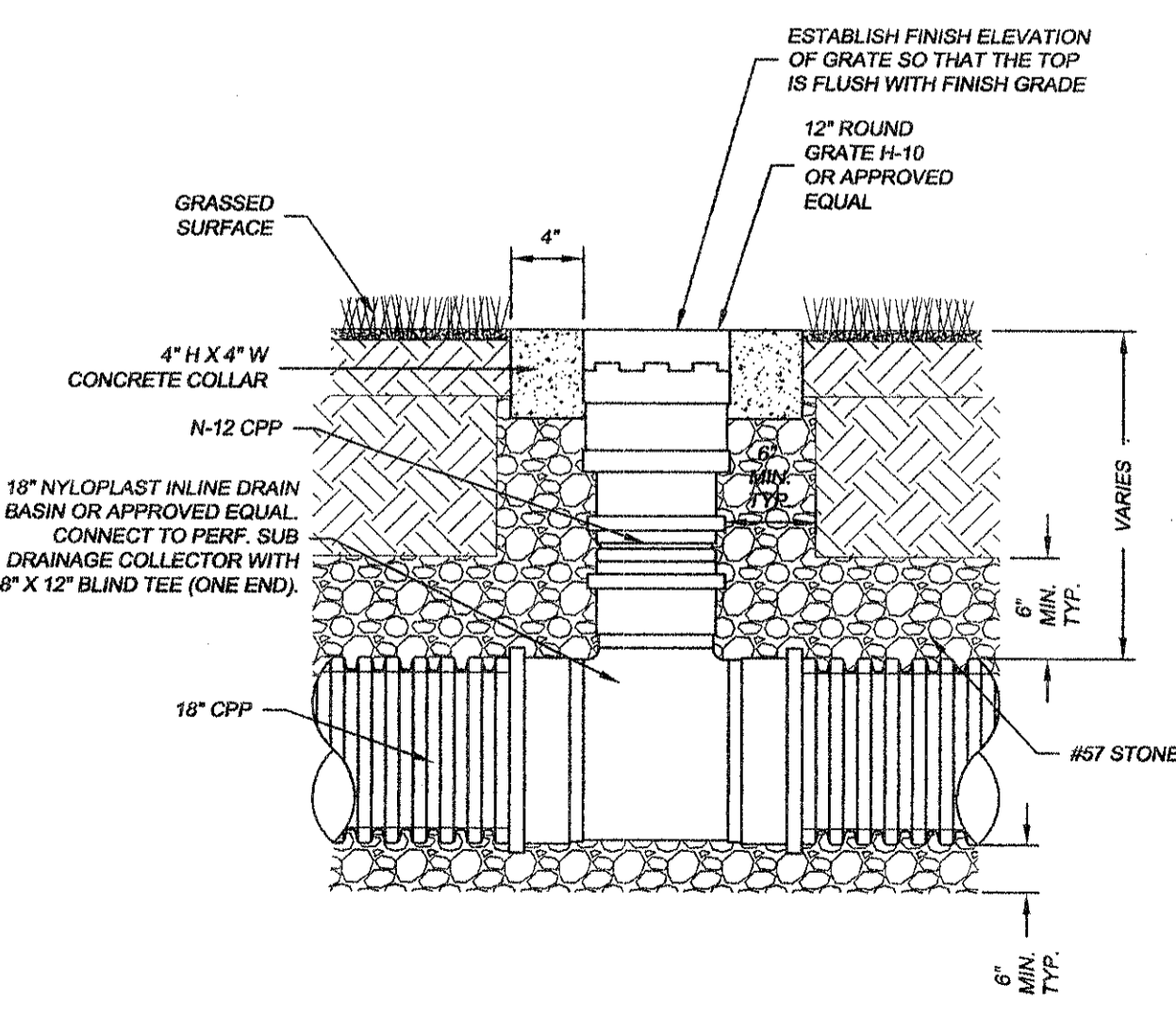


SUCTION PIPE DETAIL
NOT TO SCALE

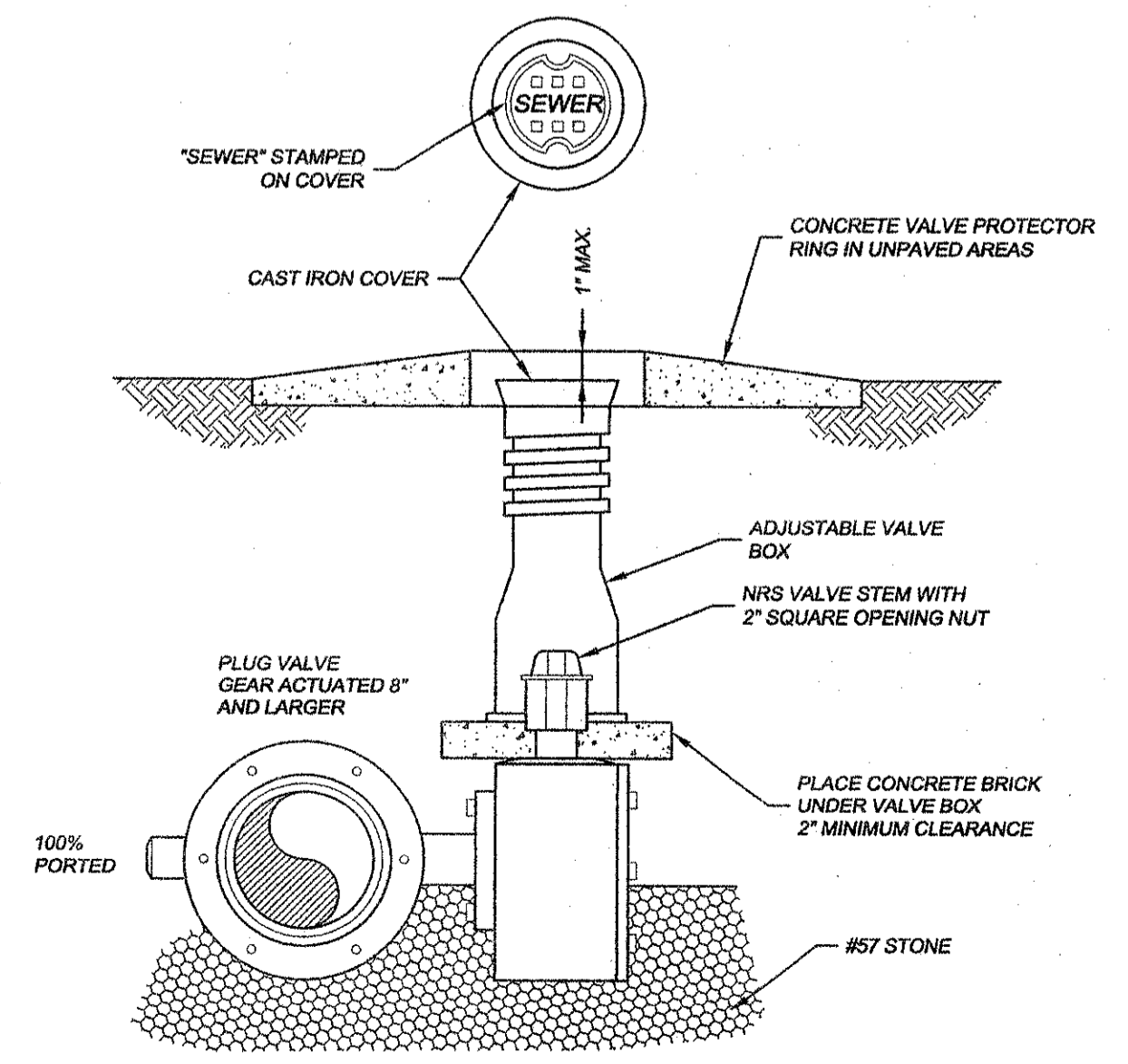


SECTION A-A
SCALE: 1"=1'

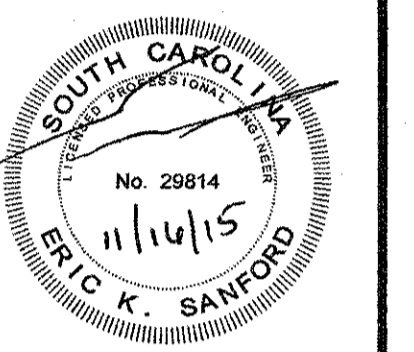
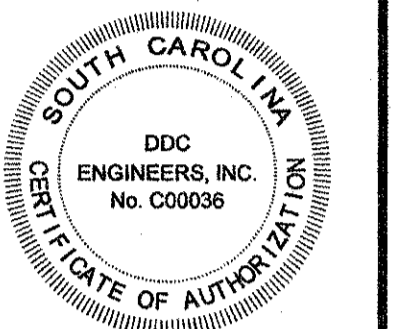
ROOF CUT-OUT RISER & CAP DETAILS
SCALE: 1"=1'



12" TURF BASIN DETAIL
SCALE: N.T.S.



PLUG VALVE AND BOX 8" AND LARGER
SCALE: N.T.S.



NO.	DATE	REVISION DESCRIPTION	BY

MISCELLANEOUS DETAILS
CHESTNUT ROAD PUMP STATION
HORRY COUNTY, SOUTH CAROLINA
PREPARED FOR: CITY OF MYRTLE BEACH

SCALE:	NONE
DATE:	11/08/15
DESIGNED BY:	EKS
DRAWN BY:	PES / K/JG
APPROV. BY:	EKS
PROJECT NO.:	14947E
11	
FILE NO.:	

DRAWN BY: PES / K/JG