

**ADDENDUM NO. 9**

**CITICO PUMP RELIABILITY IMPROVEMENTS  
City of Chattanooga Project W-16-013-201  
Burns & McDonnell Project 95307**

**CITY OF CHATTANOOGA, TENNESSEE**

**The following modifications are hereby introduced as part of the Contract Documents:**

- 1) Specification Section 00 21 13 – Instructions to Bidders
  - a. Delete Article 15.01.E “Certification by Proposed Prime or Subcontractor Regarding Equal Employment Opportunity”
  - b. Delete Article 15.01.F “Certification Regarding Debarment, Suspension and Other Responsibility Matters”
- 2) Specification Section 00 41 00 – Bid Form
  - a. Delete Article 7.01.G “Certification by Proposed Prime or Subcontractor Regarding Equal Employment Opportunity”
  - b. Delete Article 7.01.H “Certification Regarding Debarment, Suspension and Other Responsibility Matters”
  - c. Bidders are instructed to strike through these items on the Bid Form. A revised Bid Form is not provided by this Addendum.
- 3) Specification Section 26 05 19 – Low-Voltage Electrical Conductors and Cable
  - a. Delete Cable Schedule immediately following Section 26 05 19 and replace with the attached Cable Schedule.
- 4) Specification Section 32 32 23 – Grinders
  - a. Delete Paragraph 2.01.B, “Franklin Miller.”
- 5) Specification Section 40 61 96 – Process Control Programming
  - a. Delete I/O List immediately following Section 40 61 96 and replace with the attached I/O List.
- 6) Specification Section 40 70 00 – Instrumentation for Process Systems
  - a. Delete Instrument List immediately following Section 40 70 00 and replace with the attached Instrument List.

- 7) Drawing Sheet D601 – Piping and Instrumentation Diagram
  - a. Revise Drawing per attached Sketch SK-ADD9-001.

**The following documents are enclosed herein for reference:**

- 1) Section 26 05 19 Attachment – Cable Schedule
- 2) Section 40 61 96 Attachment – I/O List
- 3) Section 40 70 00 Attachment – Instrument List
- 4) Sketch SK-ADD9-001

END OF ADDENDUM NO. 9

July 10, 2017

---

/s/ Justin C. Holland, Administrator  
City of Chattanooga  
Department of Public Works

*Please acknowledge receipt of all addenda in your submitted Bid Form.*

*Only questions answered in writing by Addenda will be binding.*

Addendum Prepared By  
BURNS & MCDONNELL  
July 10, 2017

# CABLE SCHEDULE



Issue	Date	Description	BY	CKD	APPD
			CAB	CSH	CSH

TERMINATION INFORMATION					CABLE						ROUTING						COMMENTS	
CABLE #	FROM TAG #	FROM	TO TAG #	TO:	CLASS	TYPE	# OF SETS	SIZE	GND	CONDUIT SIZE	segment 1	segment 2	segment 3	segment 4	segment 5	segment 6	Rev	Remarks
P-PS-XF1-01	XF-1	EXISTING SERVICE ENTRANCE TRANSFORMER	PS-SWG-010	PUMP STATION SWITCHGEAR	PWR	BMCD_SEV3	8	3-1/C #500 W/ #1/0 NEUT.		8-4"	PS-EDB-004	PS-EDB-001	AG CONDUIT					
P-PS-GEN090-01	PS-GEN-090	PUMP STATION GENERATOR	PS-SWG-010	PUMP STATION SWITCHGEAR	PWR	BMCD_SEV3	7	3-1/C #500 W/ #1/0 NEUT.	#500	7-4"	PS-EDB-002							EACH PARALLEL SET SHALL HAVE A DEDICATED FULLY SIZED EQUIPMENT GROUNDING CONDUCTOR
	XF-2	FUTURE SERVICE ENTRANCE TRANSFORMER	PS-SWG-010	PUMP STATION SWITCHGEAR						10-4"	PS-EDB-006							FUTURE UTILITY SERVICE (CAPPED BELOW GRADE)
P-PS-SWG010-01	PS-SWG-010	PUMP STATION SWITCHGEAR	SWBD	EXISTING PUMP STATION SWITCHBOARD	PWR	BMCD_SEV3	7	3-1/C #500	#500	7-4"	PS-EDB-001	PS-EDB-005	AG CONDUIT					EACH PARALLEL SET SHALL HAVE A DEDICATED FULLY SIZED EQUIPMENT GROUNDING CONDUCTOR
P-PS-SWG010-02	PS-SWG-010	PUMP STATION SWITCHGEAR	PS-SWBD-020	PUMP STATION SWITCHBOARD	PWR	BMCD_SEV3	7	3-1/C #500	#500	7-4"	PS-EDB-002	AG CONDUIT	PS-EDB-003	PS-CT-003	PS-RXT-001			EACH PARALLEL SET SHALL HAVE A DEDICATED FULLY SIZED EQUIPMENT GROUNDING CONDUCTOR
P-PS-SWG010-03	PS-SWG-010	PUMP STATION SWITCHGEAR	CSO-DSW-002	CSO EFFLUENT PS SERVICE (EXISTING 800A FUSED SWITCH)	PWR	BMCD_SEV3	3	3-1/C #500 W/ #1/0 NEUT.	#1/0	3-4"	PS-EDB-001	PS-EDB-004	AG CONDUIT					EACH PARALLEL SET SHALL HAVE A DEDICATED FULLY SIZED EQUIPMENT GROUNDING CONDUCTOR
P-PS-SWG010-04	PS-SWG-010	PUMP STATION SWITCHGEAR	CSO-DSW-001	CSO TREATMENT FACILITY MCC FEED	PWR	BMCD_SEV3	2	3-1/C #350 W/ #350 NEUT.	#1/0	2-4"	PS-EDB-001	PS-EDB-005	AG CONDUIT					EACH PARALLEL SET SHALL HAVE A DEDICATED FULLY SIZED EQUIPMENT GROUNDING CONDUCTOR
P-SWBD-01	SWBD	EXISTING PUMP STATION SWITCHBOARD	PS-ATS-040	MCC AUTO TRANSFER SWITCH	PWR	BMCD_SEV3	2	3-1/C #350	#1/0	2-3"	AG CONDUIT							EACH PARALLEL SET SHALL HAVE A DEDICATED FULLY SIZED EQUIPMENT GROUNDING CONDUCTOR
P-PS-ATS040-01	PS-ATS-040	MCC AUTO TRANSFER SWITCH	MCC	EXISTING PUMP STATION MCC	PWR	BMCD_SEV3	2	3-1/C #350	#1/0	2-3"	AG CONDUIT							EACH PARALLEL SET SHALL HAVE A DEDICATED FULLY SIZED EQUIPMENT GROUNDING CONDUCTOR
P-PS-SWBD020-01	PS-SWBD-020	PUMP STATION SWITCHBOARD	PS-ATS-040	MCC AUTO TRANSFER SWITCH	PWR	BMCD_SEV3	2	3-1/C #350	#1/0	2-3"	AG CONDUIT							EACH PARALLEL SET SHALL HAVE A DEDICATED FULLY SIZED EQUIPMENT GROUNDING CONDUCTOR
P-PS-SWBD020-02	PS-SWBD-020	PUMP STATION SWITCHBOARD	VFD 1	PUMP STATION PUMP P-1 VFD	PWR	BMCD_SEV3	2	3-1/C #500	#2/0	2-3"	AG CONDUIT							EACH PARALLEL SET SHALL HAVE A DEDICATED FULLY SIZED EQUIPMENT GROUNDING CONDUCTOR
P-PS-SWBD020-03	PS-SWBD-020	PUMP STATION SWITCHBOARD	OCS-STR-001	ODOR CONTROL SYSTEM EXHAUST FAN MOTOR STARTER	PWR	BMCD_SEV1	1	3/C #2 w/GND	#6	1 1/2"	AG CONDUIT	PS-CT-001	PS-RXT-001	PS-CT-002	PS-CT-004	AG CONDUIT		
P-OCS-STR001-01	OCS-STR-001	ODOR CONTROL SYSTEM EXHAUST FAN MOTOR STARTER	OCS-EF-001	ODOR CONTROL SYSTEM EXHAUST FAN	PWR	BMCD_SEV1	1	3/C #2 w/GND	#6	1 1/2"	BG CONDUIT							FINAL TERMINATION TO FAN SHALL BE MADE WITH LIQUID TIGHT FLEXIBLE CONDUIT
P-PS-SWBD020-04	PS-SWBD-020	PUMP STATION SWITCHBOARD	EBPS-VFD-101	EBPS PUMP 101 VFD	PWR	BMCD_SEV3	1	3-1/C #350	#3	3"	AG CONDUIT							
P-EBPS-VFD101-01	EBPS-VFD-101	EBPS PUMP 101 VFD	EBPS-PJB-100	EBPS WET WELL PUMP JUNCTION BOX	PWR	BMCD_SEV6	1	3/C #350 w/GND	#3	3"	AG CONDUIT	PS-CT-001	PS-RXT-001	PS-CT-002	PS-CT-004	AG CONDUIT		
P-EBPS-VFD101-01A	EBPS-PJB-100	EBPS WET WELL PUMP JUNCTION BOX	EBPS-P-101	EBPS PUMP 101	PWR	MANUFACTURER SUPPLIED CABLE				3"	BG CONDUIT							
P-PS-SWBD020-05	PS-SWBD-020	PUMP STATION SWITCHBOARD	EBPS-VFD-102	EBPS PUMP 102 VFD	PWR	BMCD_SEV6	1	3-1/C #350	#3	3"	AG CONDUIT							
P-EBPS-VFD102-01	EBPS-VFD-102	EBPS PUMP 102 VFD	EBPS-PJB-100	EBPS WET WELL PUMP JUNCTION BOX	PWR	BMCD_SEV6	1	3/C #350 w/GND	#3	3"	AG CONDUIT	PS-CT-001	PS-RXT-001	PS-CT-002	PS-CT-004	AG CONDUIT		

# CABLE SCHEDULE



TERMINATION INFORMATION				CABLE							ROUTING						COMMENTS	
				CLASS	TYPE	# OF SETS	SIZE	GND	CONDUIT SIZE	segment 1	segment 2	segment 3	segment 4	segment 5	segment 6	Rev	Remarks	
P-EBPS-VFD102-01A	EBPS-PJB-100	EBPS WET WELL PUMP JUNCTION BOX	EBPS-P-102	EBPS PUMP 102	PWR	MANUFACTURER SUPPLIED CABLE				3"	BG CONDUIT							
P-PS-SWBD020-06	PS-SWBD-020	PUMP STATION SWITCHBOARD	PS-XF-040	480V-208Y/120V TRANSFORMER	PWR	BMCD_SEV1	1	3/C #10 w/GND	#10	1"	AG CONDUIT	PS-CT-001	AG CONDUIT					FINAL TERMINATION TO XFMR SHALL BE MADE WITH LIQUID TIGHT FLEXIBLE CONDUIT
P-PS-SWBD020-07	PS-SWBD-020	PUMP STATION SWITCHBOARD	EBPS-GRCP-101	GRINDER CONTROL PANEL 101	PWR	BMCD_SEV1	1	3/C #10 w/GND	#10	3/4"	PS-RXT-001	PS-CT-002	PS-CT-004	AG CONDUIT				
P-PS-SWBD020-08	PS-SWBD-020	PUMP STATION SWITCHBOARD	EBPS-GRCP-102	GRINDER CONTROL PANEL 102	PWR	BMCD_SEV1	1	3/C #10 w/GND	#10	3/4"	PS-RXT-001	PS-CT-002	PS-CT-004	AG CONDUIT				
P-PS-SWBD020-09	PS-SWBD-020	PUMP STATION SWITCHBOARD	EBPS-GRCP-103	GRINDER CONTROL PANEL 103	PWR	BMCD_SEV1	1	3/C #10 w/GND	#10	3/4"	PS-RXT-001	PS-CT-002	PS-CT-004	AG CONDUIT				
P-PS-SWBD020-10	PS-SWBD-020	PUMP STATION SWITCHBOARD	EBPS-SG-001	EBPS SLIDE GATE 001	PWR	BMCD_SEV1	1	3/C #12 w/GND	#12	3/4"	PS-RXT-001	PS-CT-002	AG CONDUIT	BG CONDUIT				FINAL TERMINATION TO GATE ACTUATOR SHALL BE MADE WITH LIQUID TIGHT FLEXIBLE CONDUIT
P-PS-SWBD020-11	PS-SWBD-020	PUMP STATION SWITCHBOARD	EBPS-SG-002	EBPS SLIDE GATE 002	PWR	BMCD_SEV1	1	3/C #12 w/GND	#12	3/4"	PS-RXT-001	PS-CT-002	AG CONDUIT	BG CONDUIT				FINAL TERMINATION TO GATE ACTUATOR SHALL BE MADE WITH LIQUID TIGHT FLEXIBLE CONDUIT
P-PS-SWBD020-12	PS-SWBD-020	PUMP STATION SWITCHBOARD	EBPS-SG-003	EBPS SLIDE GATE 003	PWR	BMCD_SEV1	1	3/C #12 w/GND	#12	3/4"	PS-RXT-001	PS-CT-002	AG CONDUIT	BG CONDUIT				FINAL TERMINATION TO GATE ACTUATOR SHALL BE MADE WITH LIQUID TIGHT FLEXIBLE CONDUIT
P-PS-SWBD020-13	PS-SWBD-020	PUMP STATION SWITCHBOARD	EBPS-SG-004	EBPS SLIDE GATE 004	PWR	BMCD_SEV1	1	3/C #12 w/GND	#12	3/4"	PS-RXT-001	PS-CT-002	AG CONDUIT	BG CONDUIT				FINAL TERMINATION TO GATE ACTUATOR SHALL BE MADE WITH LIQUID TIGHT FLEXIBLE CONDUIT
P-PS-SWBD020-14	PS-SWBD-020	PUMP STATION SWITCHBOARD	EBPS-DS-101	BRIDGE CRANE DISCONNECT SWITCH	PWR	BMCD_SEV1	1	3/C #8 w/GND	#10	1"	PS-RXT-001	PS-CT-002	AG CONDUIT					
P-EBPS-DS101-01	EBPS-DS-101	BRIDGE CRANE DISCONNECT SWITCH	EBPS-BC-001	EBPS BRIDGE CRANE	PWR	BMCD_SEV3	1	3-1/C #8	#10	1"	AG CONDUIT							INSTALL 4-HOLE SERVICE HEAD ON CONDUIT. INSTALL CABLE THRU SERVICE HEAD TO BRIDGE CRANE.
P-PS-SWBD020-15	PS-SWBD-020	PUMP STATION SWITCHBOARD	EBPS-STR-001	EBPS WET WELL SUPPLY FAN STARTER	PWR	BMCD_SEV1	1	3/C #12 w/GND	#12	3/4"	PS-RXT-001	AG CONDUIT						
P-EBPS-STR001-01	EBPS-STR-001	EBPS WET WELL SUPPLY FAN STARTER	EBPS-SF-001	EBPS WET WELL SUPPLY FAN	PWR	BMCD_SEV3	1	3-1/C #12	#12	3/4"	BG CONDUIT							FINAL TERMINATION TO FAN SHALL BE MADE WITH LIQUID TIGHT FLEXIBLE CONDUIT
P-PS-SWBD020-16	PS-SWBD-020	PUMP STATION SWITCHBOARD	EBPS-STR-002	EBPS DIVERSION CHAMBER SUPPLY FAN STARTER	PWR	BMCD_SEV3	1	3-1/C #12	#12	3/4"	PS-RXT-001	PS-CT-002	AG CONDUIT					
P-EBPS-STR002-01	PS-STR-002	PUMP STATION WET WELL SUPPLY FAN STARTER	EBPS-SF-002	EBPS DIVERSION CHAMBER SUPPLY FAN	PWR	BMCD_SEV3	1	3-1/C #12	#12	3/4"	AG CONDUIT							FINAL TERMINATION TO FAN SHALL BE MADE WITH LIQUID TIGHT FLEXIBLE CONDUIT
P-PS-SWBD020-17	PS-SWBD-020	PUMP STATION SWITCHBOARD	PS-GEN-090	PUMP STATION GENERATOR	PWR	BMCD_SEV1	1	3/C #6 w/GND	#8	1"	PS-RXT-001	PS-CT-003	AG CONDUIT	PS-EDB-003				
P-PS-SWBD020-18	PS-SWBD-020	PUMP STATION SWITCHBOARD	EBPS-SPCP-101	EBPS SUMP PUMP CONTROL PANEL	PWR	BMCD_SEV1	1	3/C #12 w/GND	#12	1"	PS-RXT-001	PS-CT-002	PS-CT-004	AG CONDUIT				
P-EBPS-SPCP101-01	EBPS-SPCP-101	EBPS SUMP PUMP CONTROL PANEL	EBPS-SP-101	EBPS WET WELL SUMP PUMP	PWR	MANUFACTURER SUPPLIED CABLE					BG CONDUIT							
P-PS-SWBD020-19	PS-SWBD-020	PUMP STATION SWITCHBOARD	EBPS-DS-102	PAC UNIT DISCONNECT SWITCH	PWR	BMCD_SEV1	1	3/C #8 w/GND	#10	1"	PS-RXT-001	PS-CT-003	AG CONDUIT					

# CABLE SCHEDULE



TERMINATION INFORMATION				CABLE							ROUTING						COMMENTS	
				CLASS	TYPE	# OF SETS	SIZE	GND	CONDUIT SIZE	segment 1	segment 2	segment 3	segment 4	segment 5	segment 6	Rev	Remarks	
P-EBPS-DS102-01	EBPS-DS-102	PAC UNIT DISCONNECT SWITCH	PS-PAC-001	PUMP STATION EQUIPMENT ROOM AC	PWR	BMCD_SEV3	1	3-1/C #8	#10	1"	AG CONDUIT							
P-PS-MCC-01	PS-MCC-010	PUMP STATION MOTOR CONTROL CENTER	PS-DS-101	PUMP STATION PS-AHU-001 DISCONNECT	PWR	BMCD_SEV3	1	3-1/C #6	#10	1"	AG CONDUIT							
P-PS-DS101-01	PS-DS-101	PUMP STATION PS-AHU-001 DISCONNECT	PS-AHU-001	PUMP STATION ELECTRICAL ROOM AIR HANDLER	PWR	BMCD_SEV3	1	3-1/C #6	#10	1"	AG CONDUIT							
P-PS-MCC-02	PS-MCC-010	PUMP STATION MOTOR CONTROL CENTER	PS-DS-102	PUMP STATION PS-CU-001 DISCONNECT	PWR	BMCD_SEV3	1	3-1/C #6	#10	1"	AG CONDUIT							
P-PS-DS102-01	PS-DS-102	PUMP STATION PS-CU-001 DISCONNECT	PS-CU-001	PUMP STATION ELECTRICAL ROOM CONDENSING UNIT	PWR	BMCD_SEV3	1	3-1/C #6	#10	1"	AG CONDUIT							FINAL TERMINATION TO CONDENSING UNIT SHALL BE MADE WITH LIQUID TIGHT FLEXIBLE CONDUIT
P-PS-MCC-03	PS-MCC-010	PUMP STATION MOTOR CONTROL CENTER	PS-STR-002	PUMP STATION SUPPLY FAN MOTOR STARTER	PWR	BMCD_SEV3	1	3-1/C #12	#12	3/4"	AG CONDUIT							
P-PS-STR002-01	PS-STR-002	PUMP STATION SUPPLY FAN MOTOR STARTER	PS-SF-002	PUMP STATION SUPPLY FAN	PWR	BMCD_SEV3	1	3-1/C #12	#12	3/4"	AG CONDUIT							FINAL TERMINATION TO FAN SHALL BE MADE WITH LIQUID TIGHT FLEXIBLE CONDUIT
P-PS-XF040-01	PS-XF-040	480V-208Y/120V TRANSFORMER	PS-PNL-040	PUMP STATION LIGHTING PANEL	PWR	BMCD_SEV3	1	3-1/C #6 W/ #6 NEUT.	#8	1"	AG CONDUIT							
P-PS-PNL040-01	PS-PNL-040	PUMP STATION LIGHTING PANEL	EBPS-PLC-060	EBPS PLC CABINET	PWR	BMCD_SEV1	1	2/C #12 w/GND	#12	3/4"	AG CONDUIT	PS-CT-001	AG CONDUIT					
P-PS-PNL040-02	PS-PNL-040	PUMP STATION LIGHTING PANEL	PS-BACP-001	BUILDING ALARM CONTROL PANEL	PWR	BMCD_SEV1	1	2/C #12 w/GND	#12	3/4"	AG CONDUIT	PS-CT-001	AG CONDUIT					
P-PS-PNL040-03	PS-PNL-040	PUMP STATION LIGHTING PANEL		EQUIPMENT ROOM LIGHTS	PWR	BMCD_SEV3	1	2-1/C #12	#12	3/4"	AG CONDUIT							
P-PS-PNL040-04	PS-PNL-040	PUMP STATION LIGHTING PANEL		EQUIPMENT ROOM RECEPTACLES	PWR	BMCD_SEV3	1	2-1/C #12	#12	3/4"	AG CONDUIT							
P-PS-PNL040-05	PS-PNL-040	PUMP STATION LIGHTING PANEL		EBPS CANOPY LIGHTING	PWR	BMCD_SEV1	1	2/C #12 w/GND	#12	3/4"	AG CONDUIT	PS-CT-001	PS-RXT-001	PS-CT-002	AG CONDUIT			
P-PS-PNL040-06	PS-PNL-040	PUMP STATION LIGHTING PANEL	PS-HVAC-CP-001	HVAC SYSTEMS ALARM PANEL	PWR	BMCD_SEV3	1	2-1/C #12	#12	3/4"	AG CONDUIT							
P-PS-PNL040-07	PS-PNL-040	PUMP STATION LIGHTING PANEL		EXTERIOR RECEPTACLES	PWR	BMCD_SEV3	1	2-1/C #12	#12	3/4"	AG CONDUIT							
P-EBPS-GRCP101-01	EBPS-GRCP-101	GRINDER CONTROL PANEL 101	EBPS-GRJB-101	EBPS GRINDER JUNCTION BOX	PWR	BMCD_SEV1	1	3/C #12 w/GND	#12	3/4"	AG CONDUIT	PS-CT-004	AG CONDUIT					DRUM MOTOR
P-EBPS-GRCP101-02	EBPS-GRCP-101	GRINDER CONTROL PANEL 101	EBPS-GRJB-101	EBPS GRINDER JUNCTION BOX	PWR	BMCD_SEV1	1	3/C #10 w/GND	#10	3/4"	AG CONDUIT	PS-CT-004	AG CONDUIT					GRINDER MOTOR
P-EBPS-GRCP101-03	EBPS-GRCP-101	GRINDER CONTROL PANEL 101	EBPS-GRJB-101	EBPS GRINDER JUNCTION BOX	PWR	BMCD_SEV1	1	3/C #12 w/GND	#12	3/4"	AG CONDUIT	PS-CT-004	AG CONDUIT					DRUM MOTOR
P-EBPS-GRCP101-01A	EBPS-GRJB-101	EBPS GRINDER JUNCTION BOX	EBPS-GR-101	EBPS GRINDER 101	PWR	MANUFACTURER SUPPLIED CABLE				1 1/2"	BG CONDUIT							DRUM MOTOR
P-EBPS-GRCP101-02A	EBPS-GRCP-101	GRINDER CONTROL PANEL 101	EBPS-GR-101	EBPS GRINDER 101	PWR	MANUFACTURER SUPPLIED CABLE				1 1/2"	BG CONDUIT							GRINDER MOTOR

# CABLE SCHEDULE



TERMINATION INFORMATION				CABLE							ROUTING						COMMENTS		
				CLASS	TYPE	# OF SETS	SIZE	GND	CONDUIT SIZE	segment 1	segment 2	segment 3	segment 4	segment 5	segment 6	Rev	Remarks		
P-EBPS-GRCP101-03A	EBPS-GRCP-101	GRINDER CONTROL PANEL 101	EBPS-GR-101	EBPS GRINDER 101	PWR	MANUFACTURER SUPPLIED CABLE				1 1/2"	BG CONDUIT								DRUM MOTOR
P-EBPS-GRCP102-01	EBPS-GRCP-102	GRINDER CONTROL PANEL 102	EBPS-GRJB-101	EBPS GRINDER JUNCTION BOX	PWR	BMCD_SEV1	1	3/C #12 w/GND	#12	3/4"	AG CONDUIT	PS-CT-004	AG CONDUIT						DRUM MOTOR
P-EBPS-GRCP102-02	EBPS-GRCP-102	GRINDER CONTROL PANEL 102	EBPS-GRJB-101	EBPS GRINDER JUNCTION BOX	PWR	BMCD_SEV1	1	3/C #10 w/GND	#10	3/4"	AG CONDUIT	PS-CT-004	AG CONDUIT						GRINDER MOTOR
P-EBPS-GRCP102-03	EBPS-GRCP-102	GRINDER CONTROL PANEL 102	EBPS-GRJB-101	EBPS GRINDER JUNCTION BOX	PWR	BMCD_SEV1	1	3/C #12 w/GND	#12	3/4"	AG CONDUIT	PS-CT-004	AG CONDUIT						DRUM MOTOR
P-EBPS-GRCP102-01A	EBPS-GRJB-101	EBPS GRINDER JUNCTION BOX	EBPS-GR-102	EBPS GRINDER 102	PWR	MANUFACTURER SUPPLIED CABLE				1 1/2"	BG CONDUIT								DRUM MOTOR
P-EBPS-GRCP102-02A	EBPS-GRJB-101	EBPS GRINDER JUNCTION BOX	EBPS-GR-102	EBPS GRINDER 102	PWR	MANUFACTURER SUPPLIED CABLE				1 1/2"	BG CONDUIT								GRINDER MOTOR
P-EBPS-GRCP102-03A	EBPS-GRJB-101	EBPS GRINDER JUNCTION BOX	EBPS-GR-102	EBPS GRINDER 102	PWR	MANUFACTURER SUPPLIED CABLE				1 1/2"	BG CONDUIT								DRUM MOTOR
P-EBPS-GRCP103-01	EBPS-GRCP-103	GRINDER CONTROL PANEL 103	EBPS-GRJB-101	EBPS GRINDER JUNCTION BOX	PWR	BMCD_SEV1	1	3/C #12 w/GND	#12	3/4"	AG CONDUIT	PS-CT-004	AG CONDUIT						DRUM MOTOR
P-EBPS-GRCP103-02	EBPS-GRCP-103	GRINDER CONTROL PANEL 103	EBPS-GRJB-101	EBPS GRINDER JUNCTION BOX	PWR	BMCD_SEV1	1	3/C #10 w/GND	#10	3/4"	AG CONDUIT	PS-CT-004	AG CONDUIT						GRINDER MOTOR
P-EBPS-GRCP103-03	EBPS-GRCP-103	GRINDER CONTROL PANEL 103	EBPS-GRJB-101	EBPS GRINDER JUNCTION BOX	PWR	BMCD_SEV1	1	3/C #12 w/GND	#12	3/4"	AG CONDUIT	PS-CT-004	AG CONDUIT						DRUM MOTOR
P-EBPS-GRCP103-01A	EBPS-GRJB-101	EBPS GRINDER JUNCTION BOX	EBPS-GR-103	EBPS GRINDER 103	PWR	MANUFACTURER SUPPLIED CABLE				1 1/2"	BG CONDUIT								DRUM MOTOR
P-EBPS-GRCP103-02A	EBPS-GRJB-101	EBPS GRINDER JUNCTION BOX	EBPS-GR-103	EBPS GRINDER 103	PWR	MANUFACTURER SUPPLIED CABLE				1 1/2"	BG CONDUIT								GRINDER MOTOR
P-EBPS-GRCP103-03A	EBPS-GRJB-101	EBPS GRINDER JUNCTION BOX	EBPS-GR-103	EBPS GRINDER 103	PWR	MANUFACTURER SUPPLIED CABLE				1 1/2"	BG CONDUIT								DRUM MOTOR
P-EBPS-VFD101-02	EBPS-VFD-101	EBPS PUMP 101 VFD	EBPS-IJB-100	PUMP JUNCTION BOX (PUMP MODULE)	PWR	BMCD_CEV2	1	3/C #14		3/4"	AG CONDUIT	PS-CT-001	PS-RXT-001	PS-CT-002	PS-CT-004	AG CONDUIT			
P-EBPS-VFD102-02	EBPS-VFD-102	EBPS PUMP 102 VFD	EBPS-IJB-100	PUMP JUNCTION BOX (PUMP MODULE)	PWR	BMCD_CEV2	1	3/C #14		3/4"	AG CONDUIT	PS-CT-001	PS-RXT-001	PS-CT-002	PS-CT-004	AG CONDUIT			
P-PS-IL1-01	PS-IL-1	H2S DETECTION ALARM INDICATION LIGHT NORTH ACCESS DOOR	PS-BACP-001	PUMP STATION BUILDING ALARM CONTROL PANEL	PWR	BMCD_SEV3	1	2-1/C #12	#12	1"	AG CONDUIT								
P-PS-IL2-01	PS-IL-2	COMBUSTIBLE GAS DETECTION ALARM INDICATION LIGHT NORTH ACCESS DOOR	PS-BACP-001	PUMP STATION BUILDING ALARM CONTROL PANEL	PWR	BMCD_SEV3	1	2-1/C #12											
P-PS-IL3-01	PS-IL-3	NO ALARM CONDITION PRESENT INDICATION LIGHT NORTH ACCESS DOOR	PS-BACP-001	PUMP STATION BUILDING ALARM CONTROL PANEL	PWR	BMCD_SEV3	1	2-1/C #12											
P-PS-IL4-01	PS-IL-4	H2S DETECTION ALARM INDICATION LIGHT SOUTH ACCESS DOOR	PS-BACP-001	PUMP STATION BUILDING ALARM CONTROL PANEL	PWR	BMCD_SEV3	1	2-1/C #12											
P-PS-IL5-01	PS-IL-5	COMBUSTIBLE GAS DETECTION ALARM INDICATION LIGHT SOUTH ACCESS DOOR	PS-BACP-001	PUMP STATION BUILDING ALARM CONTROL PANEL	PWR	BMCD_SEV3	1	2-1/C #12											
P-PS-IL6-01	PS-IL-6	NO ALARM CONDITION PRESENT INDICATION LIGHT SOUTH ACCESS DOOR	PS-BACP-001	PUMP STATION BUILDING ALARM CONTROL PANEL	PWR	BMCD_SEV3	1	2-1/C #12											
C-EBPS-SG001-01	EBPS-PLC-060	EBPS PLC CABINET	EBPS-SG-001	EBPS SLIDE GATE 001	CNTRL	BMCD_CEV2	1	7/C #14		3/4"	BG CONDUIT	PS-CT-001	PS-RXT-001	PS-CT-002	AG CONDUIT	BG CONDUIT			FINAL TERMINATION TO GATE ACTUATOR SHALL BE MADE WITH LIQUID TIGHT FLEXIBLE CONDUIT

# CABLE SCHEDULE



TERMINATION INFORMATION				CABLE							ROUTING						COMMENTS			
				CLASS	TYPE	# OF SETS	SIZE	GND	CONDUIT SIZE	segment 1	segment 2	segment 3	segment 4	segment 5	segment 6	Rev	Remarks			
C-EBPS-SG002-01	EBPS-PLC-060	EBPS PLC CABINET	EBPS-SG-002	EBPS SLIDE GATE 002	CNTRL	BMCD_CEV2	1	7/C #14			3/4"	AG CONDUIT	PS-CT-001	PS-RXT-001	PS-CT-002	AG CONDUIT	BG CONDUIT		FINAL TERMINATION TO GATE ACTUATOR SHALL BE MADE WITH LIQUID TIGHT FLEXIBLE CONDUIT	
C-EBPS-SG003-01	EBPS-PLC-060	EBPS PLC CABINET	EBPS-SG-003	EBPS SLIDE GATE 003	CNTRL	BMCD_CEV2	1	7/C #14			3/4"	AG CONDUIT	PS-CT-001	PS-RXT-001	PS-CT-002	AG CONDUIT	BG CONDUIT		FINAL TERMINATION TO GATE ACTUATOR SHALL BE MADE WITH LIQUID TIGHT FLEXIBLE CONDUIT	
C-EBPS-SG004-01	EBPS-PLC-060	EBPS PLC CABINET	EBPS-SG-004	EBPS SLIDE GATE 004	CNTRL	BMCD_CEV2	1	7/C #14			3/4"	AG CONDUIT	PS-CT-001	PS-RXT-001	PS-CT-002	AG CONDUIT	BG CONDUIT		FINAL TERMINATION TO GATE ACTUATOR SHALL BE MADE WITH LIQUID TIGHT FLEXIBLE CONDUIT	
C-EBPS-GRCP101-01	EBPS-PLC-060	EBPS PLC CABINET	EBPS-GRCP-101	GRINDER CONTROL PANEL 101	CNTRL	BMCD_CEV2	1	12/C #14			1"	AG CONDUIT	PS-CT-001	PS-RXT-001	PS-CT-002	PS-CT-004	AG CONDUIT			
C-EBPS-GRCP101-02	EBPS-GRCP-101	GRINDER CONTROL PANEL 101	EBPS-GRJB-101	EBPS GRINDER JUNCTION BOX	CNTRL	BMCD_CEV2	1	9/C #14			1"	AG CONDUIT	PS-CT-004	AG CONDUIT						
C-EBPS-GRCP102-01	EBPS-PLC-060	EBPS PLC CABINET	EBPS-GRCP-102	GRINDER CONTROL PANEL 102	CNTRL	BMCD_CEV2	1	12/C #14			1"	AG CONDUIT	PS-CT-001	PS-RXT-001	PS-CT-002	PS-CT-004	AG CONDUIT			
C-EBPS-GRCP102-02	EBPS-GRCP-102	GRINDER CONTROL PANEL 102	EBPS-GRJB-101	EBPS GRINDER JUNCTION BOX	CNTRL	BMCD_CEV2	1	9/C #14			1"	AG CONDUIT	PS-CT-004	AG CONDUIT						
C-EBPS-GRCP103-01	EBPS-PLC-060	EBPS PLC CABINET	EBPS-GRCP-103	GRINDER CONTROL PANEL 103	CNTRL	BMCD_CEV2	1	12/C #14			1"	AG CONDUIT	PS-CT-001	PS-RXT-001	PS-CT-002	PS-CT-004	AG CONDUIT			
C-EBPS-GRCP103-02	EBPS-GRCP-103	GRINDER CONTROL PANEL 103	EBPS-GRJB-101	EBPS GRINDER JUNCTION BOX	CNTRL	BMCD_CEV2	1	9/C #14			1"	AG CONDUIT	PS-CT-004	AG CONDUIT						
C-EBPS-JB001-01	EBPS-PLC-060	EBPS PLC CABINET	EBPS-JB-001	EBPS JUNCTION BOX	CNTRL	BMCD_CEV2	1	3/C #14			1"	AG CONDUIT	PS-CT-001	PS-RXT-001	PS-CT-002	PS-CT-004	AG CONDUIT			
C-EBPS-LSH101-01	EBPS-JB-001	EBPS JUNCTION BOX	EBPS-LSH-101	EBPS DIVERSION CHAMBER HIGH LEVEL	CNTRL	MANUFACTURER SUPPLIED CABLE					1"	BG CONDUIT								
C-EBPS-LS110-01	EBPS-PLC-060	EBPS PLC CABINET	EBPS-PJB-100	EBPS WET WELL PUMP JUNCTION BOX	CNTRL	BMCD_CEV2	1	7/C #14			1"	AG CONDUIT	PS-CT-001	PS-RXT-001	PS-CT-002	PS-CT-004	AG CONDUIT			
C-EBPS-LSH111-01	EBPS-PJB-100	EBPS WET WELL PUMP JUNCTION BOX	EBPS-LSH-111	EBPS WET WELL HIGH LEVEL	CNTRL	MANUFACTURER SUPPLIED CABLE					1 1/2"	BG CONDUIT								
C-EBPS-LSL112-01	EBPS-PJB-100	EBPS WET WELL PUMP JUNCTION BOX	EBPS-LSL-112	EBPS WET WELL LOW LEVEL	CNTRL	MANUFACTURER SUPPLIED CABLE					1 1/2"	BG CONDUIT								
C-EBPS-VFD101-01	EBPS-PLC-060	EBPS PLC CABINET	EBPS-VFD-101	EBPS PUMP 101 VFD	CNTRL	BMCD_CEV2	1	12/C #14				AG CONDUIT	PS-CT-001	AG CONDUIT						
C-EBPS-VFD101-02	EBPS-VFD-101	EBPS PUMP 101 VFD	EBPS-IJB-100	PUMP JUNCTION BOX (PUMP MODULE)	CNTRL	BMCD_CEV2	1	5/C #14				AG CONDUIT	PS-CT-001	PS-RXT-001	PS-CT-002	PS-CT-004	AG CONDUIT			
C-EBPS-IJB100-01	EBPS-IJB-100	PUMP JUNCTION BOX (PUMP MODULE)	EBPS-PJB-100	EBPS WET WELL PUMP JUNCTION BOX	CNTRL	BMCD_CEV2	1	5/C #14				AG CONDUIT								
C-EBPS-VFD102-01	EBPS-PLC-060	EBPS PLC CABINET	EBPS-VFD-102	EBPS PUMP 102 VFD	CNTRL	BMCD_CEV2	1	12/C #14				AG CONDUIT	PS-CT-001	AG CONDUIT						
C-EBPS-VFD102-02	EBPS-VFD-102	EBPS PUMP 102 VFD	EBPS-IJB-100	PUMP JUNCTION BOX (PUMP MODULE)	CNTRL	BMCD_CEV2	1	5/C #14				AG CONDUIT	PS-CT-001	PS-RXT-001	PS-CT-002	PS-CT-004	AG CONDUIT			
C-EBPS-IJB100-02	EBPS-IJB-100	PUMP JUNCTION BOX (PUMP MODULE)	EBPS-PJB-100	EBPS WET WELL PUMP JUNCTION BOX	CNTRL	BMCD_CEV2	1	5/C #14				AG CONDUIT								
C-EBPS-SPCP101-01	EBPS-PLC-060	EBPS PLC CABINET	EBPS-SPCP-101	EBPS SUMP PUMP CONTROL PANEL	CNTRL	BMCD_CEV2	1	5/C #14				AG CONDUIT	PS-CT-001	PS-RXT-001	PS-CT-002	PS-CT-004	AG CONDUIT			
C-PS-GEN090-01	EBPS-PLC-060	EBPS PLC CABINET	PS-GEN-090	PUMP STATION GENERATOR	CNTRL	BMCD_CEV2	1	12/C #14				AG CONDUIT	PS-CT-001	PS-RXT-001	PS-CT-003	AG CONDUIT	PS-EDB-003			

# CABLE SCHEDULE



TERMINATION INFORMATION				CABLE							ROUTING						COMMENTS		
				CLASS	TYPE	# OF SETS	SIZE	GND	CONDUIT SIZE	segment 1	segment 2	segment 3	segment 4	segment 5	segment 6	Rev	Remarks		
C-PS-GEN090-02	PS-SWG-010	PUMP STATION SWITCHGEAR	PS-GEN-090	PUMP STATION GENERATOR	CNTRL	BMCD_CEV2	1	5/C #14				PS-EDB-002							
C-PS-GEN090-03	PS-ES-090	PUMP STATION GENERATOR EMERGENCY STOP	PS-GEN-090	PUMP STATION GENERATOR	CNTRL	BMCD_CEV2	1	3/C #14				BG CONDUIT							
C-OCS-STR001-01	OCS-STR-001	OCS-EF-001 EXHAUST FAN MOTOR STARTER	EBPS-STR-001	EBPS WET WELL SUPPLY FAN STARTER	CNTRL	BMCD_CEV2	1	3/C #14			3/4"	AG CONDUIT							
C-OCS-STR001-02	OCS-STR-001	OCS-EF-001 EXHAUST FAN MOTOR STARTER	EBPS-STR-002	EBPS DIVERSION CHAMBER SUPPLY FAN STARTER	CNTRL	BMCD_CEV2	1	3/C #14			3/4"	AG CONDUIT							
C-OCS-STR001-03	OCS-STR-001	OCS-EF-001 EXHAUST FAN MOTOR STARTER	PS-STR-002	PUMP STATION WET WELL SUPPLY FAN STARTER	CNTRL	BMCD_CEV2	1	3/C #14			3/4"	AG CONDUIT							
C-OCS-STR001-04	OCS-STR-001	OCS-EF-001 EXHAUST FAN MOTOR STARTER		SMOKE DAMPER	CNTRL	BMCD_CEV2	1	3/C #14			3/4"	BG CONDUIT							FINAL CONNECTION SHALL BE MADE WITH LIQUID TIGHT FLEXIBLE CONDUIT
C-OCS-STR001-05	OCS-STR-001	OCS-EF-001 EXHAUST FAN MOTOR STARTER	EBPS-PLC-060	EBPS PLC CABINET	CNTRL	BMCD_CEV2	1	5/C #14			3/4"	BG CONDUIT	AG CONDUIT	PS-CT-002	PS-RXT-001	PS-CT-001	AG CONDUIT		
C-OCS-STR001-06	OCS-STR-001	OCS-EF-001 EXHAUST FAN MOTOR STARTER		DUCT SMOKE DETECTOR	CNTRL	BMCD_CEV2	1	3/C #14			3/4"	BG CONDUIT							FINAL CONNECTION SHALL BE MADE WITH LIQUID TIGHT FLEXIBLE CONDUIT
C-OCS-STR001-07	OCS-STR-001	OCS-EF-001 EXHAUST FAN MOTOR STARTER	SS-OCS-EF-001	AIR FLOW SWITCH	CNTRL	BMCD_CEV2	1	3/C #14			3/4"	BG CONDUIT							FINAL CONNECTION SHALL BE MADE WITH LIQUID TIGHT FLEXIBLE CONDUIT
C-EBPS-STR002-01	EBPS-STR-002	EBPS DIVERSION CHAMBER SUPPLY FAN STARTER	OCS-STR-001	OSC-EF-001 EXHAUST FAN MOTOR STARTER	CNTRL	BMCD_CEV2	1	3/C #14			3/4"	AG CONDUIT							
C-PS-STR002-01	PS-STR-002	PUMP STATION WET WELL SUPPLY FAN STARTER	OCS-STR-001	OSC-EF-001 EXHAUST FAN MOTOR STARTER	CNTRL	BMCD_CEV2	1	3/C #14			3/4"	AG CONDUIT							
C-EBPS-STR001-01	EBPS-STR-001	EBPS WET WELL SUPPLY FAN STARTER	OCS-STR-001	OSC-EF-001 EXHAUST FAN MOTOR STARTER	CNTRL	BMCD_CEV2	1	3/C #14			3/4"	AG CONDUIT							
C-PS-HVACCP-01	PS-HVAC-CP-001	HVAC SYSTEMS ALARM PANEL	PS-AHU-001	PUMP STATION AIR HANDLING UNIT	CNTRL	BMCD_CEV2	1	5/C #14			3/4"	AG CONDUIT							
C-PS-HVACCP-02	PS-HVAC-CP-001	HVAC SYSTEMS ALARM PANEL	PS-PAC-001	PUMP STATION PACKAGED AIR HANDLING UNIT	CNTRL	BMCD_CEV2	1	5/C #14			3/4"	AG CONDUIT	PS-CT-001	PS-RXT-001	PS-CT-002	AG CONDUIT			
C-PS-HVACCP-03	PS-HVAC-CP-001	HVAC SYSTEMS ALARM PANEL	EBPS-PLC-060	EBPS PLC CABINET	CNTRL	BMCD_CEV2	1	7/C #14			1"	AG CONDUIT	PS-CT-001	AG CONDUIT					
C-PS-HVACCP-04	PS-HVAC-CP-001	HVAC SYSTEMS ALARM PANEL		AHU SMOKE DETECTOR	CNTRL	BMCD_CEV2	1	3/C #14			3/4"	AG CONDUIT							
C-PS-HVACCP-05	PS-HVAC-CP-001	HVAC SYSTEMS ALARM PANEL		PAC UNIT SMOKE DETECTOR	CNTRL	BMCD_CEV2	1	3/C #14			3/4"	AG CONDUIT	PS-CT-001	PS-RXT-001	PS-CT-002	AG CONDUIT			
C-PS-HVACCP-06	PS-HVAC-CP-001	HVAC SYSTEMS ALARM PANEL		ELECTRICAL ROOM HIGH TEMP SWITCH	CNTRL	BMCD_CEV2	1	3/C #14			3/4"	AG CONDUIT							
C-PS-HVACCP-07	PS-HVAC-CP-001	HVAC SYSTEMS ALARM PANEL		EQUIPMENT ROOM HIGH TEMP SWITCH	CNTRL	BMCD_CEV2	1	3/C #14			3/4"	AG CONDUIT	PS-CT-001	AG CONDUIT					
P-PS-HVACCP-08	PS-HVAC-CP-001	HVAC SYSTEMS ALARM PANEL		AHU UNIT SMOKE DAMPER	PWR	BMCD_CEV2	1	3/C #14			3/4"	AG CONDUIT	PS-RXT-001	PS-CT-002	AG CONDUIT				
P-PS-HVACCP-09	PS-HVAC-CP-001	HVAC SYSTEMS ALARM PANEL		PAC UNIT SMOKE DAMPER	PWR	BMCD_CEV2	1	3/C #14			3/4"	AG CONDUIT	PS-RXT-001	PS-CT-002	AG CONDUIT				
C-EBPS-STR001-02	EBPS-STR-001	EBPS WET WELL SUPPLY FAN		EBPS WET WELL SUPPLY FAN DUCT SMOKE DETECTOR	CNTRL	BMCD_CEV2	1	3/C #14			3/4"	AG CONDUIT							FINAL CONNECTION SHALL BE MADE WITH LIQUID TIGHT FLEXIBLE CONDUIT
C-EBPS-STR001-03	EBPS-STR-001	EBPS WET WELL SUPPLY FAN		EBPS WET WELL SUPPLY FAN DUCT SMOKE DAMPER	CNTRL	BMCD_CEV2	1	3/C #14			3/4"	AG CONDUIT							FINAL CONNECTION SHALL BE MADE WITH LIQUID TIGHT FLEXIBLE CONDUIT



# CABLE SCHEDULE



TERMINATION INFORMATION				CABLE							ROUTING						COMMENTS	
				CLASS	TYPE	# OF SETS	SIZE	GND	CONDUIT SIZE	segment 1	segment 2	segment 3	segment 4	segment 5	segment 6	Rev	Remarks	
C-PS-STR002-02	PS-SF-002	PUMP STATION WET WELL SUPPLY FAN		PUMP STATION WET WELL SUPPLY FAN DUCT SMOKE DETECTOR	CNTRL	BMCD_CEV2	1	3/C #14		3/4"	AG CONDUIT							FINAL CONNECTION SHALL BE MADE WITH LIQUID TIGHT FLEXIBLE CONDUIT
C-PS-STR002-03	PS-SF-002	PUMP STATION WET WELL SUPPLY FAN		PUMP STATION WET WELL SUPPLY FAN DUCT SMOKE DAMPER	CNTRL	BMCD_CEV2	1	3/C #14		3/4"	AG CONDUIT							FINAL CONNECTION SHALL BE MADE WITH LIQUID TIGHT FLEXIBLE CONDUIT
C-PS-BACP001-01	PS-BACP-001	BUILDING ALARM CONTROL PANEL	EBPS-PLC-060	EBPS PLC CABINET	CNTRL	BMCD_CEV2	1	5/C #14		3/4"	AG CONDUIT	PS-CT-001	AG CONDUIT					
C-PS-BACP001-02	PS-BACP-001	BUILDING ALARM CONTROL PANEL	EBPS-PLC-060	EBPS PLC CABINET	CNTRL	BMCD_CEV2	1	3/C #14		3/4"	AG CONDUIT	PS-CT-001	AG CONDUIT					
I-EBPS-LIT101-01	EBPS-PLC-060	EBPS PLC CABINET	EBPS-LIT-101	EBPS DIVERSION CHAMBER LEVEL	INST	BMCD_IVV1	1	1PR #16		1"	AG CONDUIT	PS-CT-001	PS-RXT-001	PS-CT-002	AG CONDUIT			
I-EBPS-LIT111-01	EBPS-PLC-060	EBPS PLC CABINET	EBPS-LIT-111	EBPS WET WELL LEVEL	INST	BMCD_IVV1	1	1PR #16		1"	AG CONDUIT	PS-CT-001	PS-RXT-001	PS-CT-002	AG CONDUIT			
I-EBPS-PIT401-01	EBPS-PLC-060	EBPS PLC CABINET	EBPS-PIT-401	EBPS VALVE VAULT	INST	BMCD_IVV1	1	1PR #16		3/4"	AG CONDUIT	PS-CT-004	PS-CT-002	PS-RXT-001	PS-CT-001			FINAL CONNECTION SHALL BE MADE WITH LIQUID TIGHT FLEXIBLE CONDUIT
I-EBPS-PIT402-01	EBPS-PLC-060	EBPS PLC CABINET	EBPS-PIT-402	EBPS VALVE VAULT	INST	BMCD_IVV1	1	1PR #16		3/4"	AG CONDUIT	PS-CT-004	PS-CT-002	PS-RXT-001	PS-CT-001			FINAL CONNECTION SHALL BE MADE WITH LIQUID TIGHT FLEXIBLE CONDUIT
I-EBPS-VFD101-01	EBPS-PLC-060	EBPS PLC CABINET	EBPS-VFD-101	EBPS PUMP 101 VFD	INST	BMCD_IVV1	1	1PR #16		3/4"	AG CONDUIT	PS-CT-001	AG CONDUIT					
I-EBPS-VFD101-02	EBPS-PLC-060	EBPS PLC CABINET	EBPS-VFD-101	EBPS PUMP 101 VFD	INST	BMCD_IVV1	1	1PR #16		3/4"	AG CONDUIT	PS-CT-001	AG CONDUIT					
I-EBPS-VFD102-01	EBPS-PLC-060	EBPS PLC CABINET	EBPS-VFD-102	EBPS PUMP 102 VFD	INST	BMCD_IVV1	1	1PR #16		3/4"	AG CONDUIT	PS-CT-001	AG CONDUIT					
I-EBPS-VFD102-02	EBPS-PLC-060	EBPS PLC CABINET	EBPS-VFD-102	EBPS PUMP 102 VFD	INST	BMCD_IVV1	1	1PR #16		3/4"	AG CONDUIT	PS-CT-001	AG CONDUIT					
I-PS-AIC301-01	PS-AE-1	PUMP STATION UPPER LEVEL SCREEN ROOM TOXIC GAS DETECTOR	PS-AIC-001	H2S GAS DETECTION CONTROLLER (CLASSIFIED AREAS)	INST	BELDEN CABLE 83606 (#20 AWG 6/C SHIELDED)				3/4"	AG CONDUIT							
I-PS-AIC301-02	PS-AE-2	PUMP STATION LOWER LEVEL SCREEN ROOM TOXIC GAS DETECTOR	PS-AIC-001	H2S GAS DETECTION CONTROLLER (CLASSIFIED AREAS)	INST	BELDEN CABLE 83606 (#20 AWG 6/C SHIELDED)				3/4"	AG CONDUIT							
I-PS-AIC302-01	PS-AE-3	PUMP STATION DRY WELL TOXIC GAS DETECTOR	PS-AIC-002	H2S GAS DETECTION CONTROLLER (UNCLASSIFIED AREAS)	INST	BELDEN CABLE 83606 (#20 AWG 6/C SHIELDED)				3/4"	AG CONDUIT							
I-PS-AIC302-02	PS-AE-4	PUMP STATION ELECTRICAL ROOM TOXIC GAS DETECTOR	PS-AIC-002	H2S GAS DETECTION CONTROLLER (UNCLASSIFIED AREAS)	INST	BELDEN CABLE 83606 (#20 AWG 6/C SHIELDED)				3/4"	AG CONDUIT							
I-PS-AIC302-02	PS-AE-5	PUMP STATION EQUIPMENT ROOM TOXIC GAS DETECTOR	PS-AIC-002	H2S GAS DETECTION CONTROLLER (UNCLASSIFIED AREAS)	INST	BELDEN CABLE 83606 (#20 AWG 6/C SHIELDED)				3/4"	AG CONDUIT							
I-PS-AIC302-02	PS-AE-6	PUMP STATION LOWER LEVEL SCREEN ROOM COMBUSTIBLE GAS DETECTOR	PS-AIC-003	COMBUSTIBLE GAS DETECTION (CLASSIFIED AREAS)	INST	BELDEN CABLE 63706 (#16 AWG 6/C SHIELDED)				3/4"	AG CONDUIT							
I-PS-AIC302-02	EBPS-AE-1	EBPS WET WELL COMBUSTIBLE GAS DETECTOR	PS-AIC-003	COMBUSTIBLE GAS DETECTION (CLASSIFIED AREAS)	INST	BELDEN CABLE 63706 (#16 AWG 6/C SHIELDED)				3/4"	AG CONDUIT	PS-CT-001	PS-RXT-001	PS-CT-002	AG CONDUIT	BG CONDUIT		
T-EBPS-PLC060-01	PS PLC	PUMP STATION MAIN PLC	EBPS-PLC-060	EBPS PLC CABINET	TC	ETHERNET	1	CAT-6		3/4"	AG CONDUIT							

CITY OF CHATTANOOGA, TN  
CITICO CSOTF EFFLUENT BUILDING  
I/O LIST

TAG NUMBER	ASSOCIATED PLC	FIELD DEVICE	DESCRIPTION	FUNCTION	TYPE	OUTPUT/INPUT (NORMAL STATE)	RANGE/ SET POINT	ENGINEERING UNIT	XMTR TYPE	POWER (SEE NOTE 1)	SPECIAL NOTES
EBPS-LSH-LAH-111	EBPS-PLC-060	EBPS-LSH-111	EBPS WET WELL HIGH LEVEL	ALARM	DI	N.O. CONTACT	N/A	N/A	N/A	SYSTEM	6
EBPS-LSL-LAL-112	EBPS-PLC-060	EBPS-LSL-112	EBPS WET WELL LOW LEVEL	ALARM	DI	N.O. CONTACT	N/A	N/A	N/A	SYSTEM	6
EBPS-LIT-LI-101	EBPS-PLC-060	EBPS-LIT-101	EBPS DIVERSION CHAMBER	LEVEL	AI	4-20mA	0 - 40	FEET	2-WIRE	SYSTEM	5
EBPS-LIT-LI-102	EBPS-PLC-060	EBPS-LIT-102	EBPS WEIR DOWNSTREAM	LEVEL	AI	4-20mA	0 - 30	FEET	2-WIRE	SYSTEM	5
EBPS-LIT-LI-111	EBPS-PLC-060	EBPS-LIT-111	EBPS WET WELL	LEVEL	AI	4-20mA	0 - 40	FEET	2-WIRE	SYSTEM	2
EBPS-PIT-PI-401	EBPS-PLC-060	EBPS-PIT-401	EBPS PUMP 101 DISCHARGE PRESSURE	PRESSURE	AI	4-20mA	0-150	PSI	2-WIRE	SYSTEM	2, 6
EBPS-PIT-PI-402	EBPS-PLC-060	EBPS-PIT-402	EBPS PUMP 102 DISCHARGE PRESSURE	PRESSURE	AI	4-20mA	0-150	PSI	2-WIRE	SYSTEM	2, 6
EBPS-P-HS-001	EBPS-PLC-060	EBPS-P-101	EBPS SUBMERSIBLE PUMP 101	IN-REMOTE	DI	N.O. CONTACT	N/A	N/A	N/A	N/A	
EBPS-P-MN-001	EBPS-PLC-060	EBPS-P-101	EBPS SUBMERSIBLE PUMP 101	RUN STATUS	DI	N.O. CONTACT	N/A	N/A	N/A	N/A	
EBPS-P-YA-001	EBPS-PLC-060	EBPS-P-101	EBPS SUBMERSIBLE PUMP 101	ALARM	DI	N.O. CONTACT	N/A	N/A	N/A	N/A	
EBPS-P-MD-001	EBPS-PLC-060	EBPS-P-101	EBPS SUBMERSIBLE PUMP 101	START/STOP	DO	N.O. CONTACT	N/A	N/A	N/A	N/A	
EBPS-P-SI-001	EBPS-PLC-060	EBPS-P-101	EBPS SUBMERSIBLE PUMP 101	SPEED	AI	4-20mA	0 - 100	%	N/A	N/A	
EBPS-P-SC-001	EBPS-PLC-060	EBPS-P-101	EBPS SUBMERSIBLE PUMP 101	SPEED CONTROL	AO	4-20mA	0 - 100	%	N/A	N/A	
EBPS-P-HS-002	EBPS-PLC-060	EBPS-P-102	EBPS SUBMERSIBLE PUMP 102	IN-REMOTE	DI	N.O. CONTACT	N/A	N/A	N/A	N/A	
EBPS-P-MN-002	EBPS-PLC-060	EBPS-P-102	EBPS SUBMERSIBLE PUMP 102	RUN STATUS	DI	N.O. CONTACT	N/A	N/A	N/A	N/A	
EBPS-P-YA-002	EBPS-PLC-060	EBPS-P-102	EBPS SUBMERSIBLE PUMP 102	ALARM	DI	N.O. CONTACT	N/A	N/A	N/A	N/A	
EBPS-P-MD-002	EBPS-PLC-060	EBPS-P-102	EBPS SUBMERSIBLE PUMP 102	START/STOP	DO	N.O. CONTACT	N/A	N/A	N/A	N/A	
EBPS-P-SI-002	EBPS-PLC-060	EBPS-P-102	EBPS SUBMERSIBLE PUMP 102	SPEED	AI	4-20mA	0 - 100	%	N/A	N/A	
EBPS-P-SC-002	EBPS-PLC-060	EBPS-P-102	EBPS SUBMERSIBLE PUMP 102	SPEED CONTROL	AO	4-20mA	0 - 100	%	N/A	N/A	
PS-GEN-MN-001	EBPS-PLC-060	PS-GEN-090	GENERATOR CONTROL PANEL	RUN STATUS	DO	N.O. CONTACT	N/A	N/A	N/A	N/A	
PS-GEN-YA-001	EBPS-PLC-060	PS-GEN-090	GENERATOR CONTROL PANEL	COMMON WARNING	DO	N.O. CONTACT	N/A	N/A	N/A	N/A	
PS-GEN-YA-002	EBPS-PLC-060	PS-GEN-090	GENERATOR CONTROL PANEL	COMMON ALARM	DO	N.O. CONTACT	N/A	N/A	N/A	N/A	
EBPS-SG-ZSO-001	EBPS-PLC-060	EBPS-SG-001	SLIDE GATE OPEN	POSITION	DI	N.O. CONTACT	N/A	N/A	N/A	N/A	
EBPS-SG-ZSC-001	EBPS-PLC-060	EBPS-SG-001	SLIDE GATE CLOSED	POSITION	DI	N.O. CONTACT	N/A	N/A	N/A	N/A	
EBPS-SG-ZSO-002	EBPS-PLC-060	EBPS-SG-002	SLIDE GATE OPEN	POSITION	DI	N.O. CONTACT	N/A	N/A	N/A	N/A	
EBPS-SG-ZSC-002	EBPS-PLC-060	EBPS-SG-002	SLIDE GATE CLOSED	POSITION	DI	N.O. CONTACT	N/A	N/A	N/A	N/A	
EBPS-SG-ZSO-003	EBPS-PLC-060	EBPS-SG-003	SLIDE GATE OPEN	POSITION	DI	N.O. CONTACT	N/A	N/A	N/A	N/A	
EBPS-SG-ZSC-003	EBPS-PLC-060	EBPS-SG-003	SLIDE GATE CLOSED	POSITION	DI	N.O. CONTACT	N/A	N/A	N/A	N/A	
EBPS-SG-ZSO-004	EBPS-PLC-060	EBPS-SG-004	SLIDE GATE OPEN	POSITION	DI	N.O. CONTACT	N/A	N/A	N/A	N/A	
EBPS-SG-ZSC-004	EBPS-PLC-060	EBPS-SG-004	SLIDE GATE CLOSED	POSITION	DI	N.O. CONTACT	N/A	N/A	N/A	N/A	

CITY OF CHATTANOOGA, TN  
CITICO CSOTF EFFLUENT BUILDING  
I/O LIST

TAG NUMBER	ASSOCIATED PLC	FIELD DEVICE	DESCRIPTION	FUNCTION	TYPE	OUTPUT/INPUT (NORMAL STATE)	RANGE/ SET POINT	ENGINEERING UNIT	XMTR TYPE	POWER (SEE NOTE 1)	SPECIAL NOTES
EBPS-GRCP-YA-101	EBPS-PLC-060	EBPS-GRCP-101	GRINDER CONTROL PANEL 101	ALARM	DI	N.O. CONTACT	N/A	N/A	N/A	N/A	
EBPS-GRCP-MS-101	EBPS-PLC-060	EBPS-GRCP-101	GRINDER CONTROL PANEL 101	RUN STATUS	DI	N.O. CONTACT	N/A	N/A	N/A	N/A	
EBPS-GRCP-HS-101	EBPS-PLC-060	EBPS-GRCP-101	GRINDER CONTROL PANEL 101	IN-REMOTE	DI	N.O. CONTACT	N/A	N/A	N/A	N/A	
EBPS-GRCP-MD-101	EBPS-PLC-060	EBPS-GRCP-101	GRINDER CONTROL PANEL 101	START/STOP	DO	N.O. CONTACT	N/A	N/A	N/A	N/A	
EBPS-GRCP-YA-102	EBPS-PLC-060	EBPS-GRCP-102	GRINDER CONTROL PANEL 102	ALARM	DI	N.O. CONTACT	N/A	N/A	N/A	N/A	
EBPS-GRCP-MS-102	EBPS-PLC-060	EBPS-GRCP-102	GRINDER CONTROL PANEL 102	RUN STATUS	DI	N.O. CONTACT	N/A	N/A	N/A	N/A	
EBPS-GRCP-HS-102	EBPS-PLC-060	EBPS-GRCP-102	GRINDER CONTROL PANEL 102	IN-REMOTE	DI	N.O. CONTACT	N/A	N/A	N/A	N/A	
EBPS-GRCP-MD-102	EBPS-PLC-060	EBPS-GRCP-102	GRINDER CONTROL PANEL 102	START/STOP	DO	N.O. CONTACT	N/A	N/A	N/A	N/A	
EBPS-GRCP-YA-103	EBPS-PLC-060	EBPS-GRCP-103	GRINDER CONTROL PANEL 103	ALARM	DI	N.O. CONTACT	N/A	N/A	N/A	N/A	
EBPS-GRCP-MS-103	EBPS-PLC-060	EBPS-GRCP-103	GRINDER CONTROL PANEL 103	RUN STATUS	DI	N.O. CONTACT	N/A	N/A	N/A	N/A	
EBPS-GRCP-HS-103	EBPS-PLC-060	EBPS-GRCP-103	GRINDER CONTROL PANEL 103	IN-REMOTE	DI	N.O. CONTACT	N/A	N/A	N/A	N/A	
EBPS-GRCP-MD-103	EBPS-PLC-060	EBPS-GRCP-103	GRINDER CONTROL PANEL 103	START/STOP	DO	N.O. CONTACT	N/A	N/A	N/A	N/A	
OCS-YA-001	EBPS-PLC-060	OCS-STR-001	ODOR CONTROL SYSTEM	ALARM	DO	N.O. CONTACT	N/A	N/A	N/A	N/A	
PS-HVAC-YA-001	EBPS-PLC-060	PS-HVAC-CP-001	PUMP STATION HVAC	ALARM	DO	N.O. CONTACT	N/A	N/A	N/A	N/A	
PS-BACP-YA-001	EBPS-PLC-060	PS-BACP-001	GAS DETECTION SYSTEMS	ALARM	DI	N.O. CONTACT	N/A	N/A	N/A	N/A	
PS-BACP-YA-002	EBPS-PLC-060	PS-BACP-001	GAS DETECTION SYSTEMS	FAULT	DI	N.C. CONTACT	N/A	N/A	N/A	N/A	
EBPS-P-MN-001	PS-PLC-XXX	EBPS-PLC-060	EBPS SUBMERSIBLE PUMP 101	RUN STATUS		COMM	N/A	N/A	N/A	N/A	
EBPS-P-YA-001	PS-PLC-XXX	EBPS-PLC-060	EBPS SUBMERSIBLE PUMP 101	COMMON ALARM		COMM	N/A	N/A	N/A	N/A	
EBPS-P-MN-002	PS-PLC-XXX	EBPS-PLC-060	EBPS SUBMERSIBLE PUMP 102	RUN STATUS		COMM	N/A	N/A	N/A	N/A	
EBPS-P-YA-002	PS-PLC-XXX	EBPS-PLC-060	EBPS SUBMERSIBLE PUMP 102	COMMON ALARM		COMM	N/A	N/A	N/A	N/A	
PS-GEN-MN-001	PS-PLC-XXX	EBPS-PLC-060	EMERGENCY GENERATOR	RUN STATUS		COMM	N/A	N/A	N/A	N/A	
PS-GEN-YA-001	PS-PLC-XXX	EBPS-PLC-060	EMERGENCY GENERATOR	COMMON WARNING		COMM	N/A	N/A	N/A	N/A	
PS-GEN-YA-002	PS-PLC-XXX	EBPS-PLC-060	EMERGENCY GENERATOR	COMMON ALARM		COMM	N/A	N/A	N/A	N/A	
OCS-YA-001	PS-PLC-XXX	EBPS-PLC-060	ODOR CONTROL SYSTEM FAIL	ALARM		COMM	N/A	N/A	N/A	N/A	
EBPS-GRCP-YA-100	PS-PLC-XXX	EBPS-PLC-060	GRINDER SYSTEM ALARM	COMMON ALARM		COMM	N/A	N/A	N/A	N/A	
PS-BACP-YA-100	PS-PLC-XXX	EBPS-PLC-060	GAS DETECTION SYSTEMS ALARM	COMMON ALARM		COMM	N/A	N/A	N/A	N/A	
PS-HVAC-YA-001	PS-PLC-XXX	EBPS-PLC-060	PUMP STATION HVAC	ALARM		COMM	N/A	N/A	N/A	N/A	
EBPS-P-MN-001	PS-PLC-XXX	PS-RTU-XXX	EBPS SUBMERSIBLE PUMP 101	RUN STATUS	DO	N.O. CONTACT	N/A	N/A	N/A	N/A	
EBPS-P-YA-001	PS-PLC-XXX	PS-RTU-XXX	EBPS SUBMERSIBLE PUMP 101	COMMON ALARM	DO	N.O. CONTACT	N/A	N/A	N/A	N/A	
EBPS-P-MN-002	PS-PLC-XXX	PS-RTU-XXX	EBPS SUBMERSIBLE PUMP 102	RUN STATUS	DO	N.O. CONTACT	N/A	N/A	N/A	N/A	
EBPS-P-YA-002	PS-PLC-XXX	PS-RTU-XXX	EBPS SUBMERSIBLE PUMP 102	COMMON ALARM	DO	N.O. CONTACT	N/A	N/A	N/A	N/A	
PS-GEN-MN-001	PS-PLC-XXX	PS-RTU-XXX	EMERGENCY GENERATOR	RUN STATUS	DO	N.O. CONTACT	N/A	N/A	N/A	N/A	
PS-GEN-YA-001	PS-PLC-XXX	PS-RTU-XXX	EMERGENCY GENERATOR	COMMON WARNING	DO	N.O. CONTACT	N/A	N/A	N/A	N/A	
PS-GEN-YA-002	PS-PLC-XXX	PS-RTU-XXX	EMERGENCY GENERATOR	COMMON ALARM	DO	N.O. CONTACT	N/A	N/A	N/A	N/A	
OCS-YA-001	PS-PLC-XXX	PS-RTU-XXX	ODOR CONTROL SYSTEM	FAIL	DO	N.O. CONTACT	N/A	N/A	N/A	N/A	
EBPS-GRCP-YA-100	PS-PLC-XXX	PS-RTU-XXX	GRINDER SYSTEM	COMMON ALARM	DO	N.O. CONTACT	N/A	N/A	N/A	N/A	
PS-BACP-YA-100	PS-PLC-XXX	PS-RTU-XXX	GAS DETECTION SYSTEM	COMMON ALARM	DO	N.O. CONTACT	N/A	N/A	N/A	N/A	
PS-HVAC-YA-001	PS-PLC-XXX	PS-RTU-XXX	PUMP STATION HVAC	COMMON ALARM	DO	N.O. CONTACT	N/A	N/A	N/A	N/A	

CITY OF CHATTANOOGA, TN  
CITICO CSOTF EFFLUENT BUILDING  
I/O LIST

TAG NUMBER	ASSOCIATED PLC	FIELD DEVICE	DESCRIPTION	FUNCTION	TYPE	OUTPUT/INPUT (NORMAL STATE)	RANGE/ SET POINT	ENGINEERING UNIT	XMTR TYPE	POWER (SEE NOTE 1)	SPECIAL NOTES
EBPS-LSH-LAH-101	PS-RTU-XXX	EBPS-LSH-101	EPBS DIVERSION CHAMBER HIGH LEVEL	ALARM	DI	N.O. CONTACT	N/A	N/A	N/A	N/A	6
EBPS-P-MN-001	PS-RTU-XXX	PS-PLC-XXX	EBPS SUBMERSIBLE PUMP 101	RUN STATUS	DI	N.O. CONTACT	N/A	N/A	N/A	N/A	
EBPS-P-YA-001	PS-RTU-XXX	PS-PLC-XXX	EBPS SUBMERSIBLE PUMP 101	COMMON ALARM	DI	N.O. CONTACT	N/A	N/A	N/A	N/A	
EBPS-P-MN-002	PS-RTU-XXX	PS-PLC-XXX	EBPS SUBMERSIBLE PUMP 102	RUN STATUS	DI	N.O. CONTACT	N/A	N/A	N/A	N/A	
EBPS-P-YA-002	PS-RTU-XXX	PS-PLC-XXX	EBPS SUBMERSIBLE PUMP 102	COMMON ALARM	DI	N.O. CONTACT	N/A	N/A	N/A	N/A	
PS-GEN-MN-001	PS-RTU-XXX	PS-PLC-XXX	EMERGENCY GENERATOR	RUN STATUS	DI	N.O. CONTACT	N/A	N/A	N/A	N/A	
PS-GEN-YA-001	PS-RTU-XXX	PS-PLC-XXX	EMERGENCY GENERATOR	COMMON WARNING	DI	N.O. CONTACT	N/A	N/A	N/A	N/A	
PS-GEN-YA-002	PS-RTU-XXX	PS-PLC-XXX	EMERGENCY GENERATOR	COMMON ALARM	DI	N.O. CONTACT	N/A	N/A	N/A	N/A	
OCS-YA-001	PS-RTU-XXX	PS-PLC-XXX	ODOR CONTROL SYSTEM	FAIL	DI	N.O. CONTACT	N/A	N/A	N/A	N/A	
EBPS-GRCP-YA-100	PS-RTU-XXX	PS-PLC-XXX	GRINDER SYSTEM	COMMON ALARM	DI	N.O. CONTACT	N/A	N/A	N/A	N/A	
PS-BACP-YA-100	PS-RTU-XXX	PS-PLC-XXX	GAS DETECTION SYSTEM	COMMON ALARM	DI	N.O. CONTACT	N/A	N/A	N/A	N/A	
PS-HVAC-YA-001	PS-RTU-XXX	PS-PLC-XXX	PUMP STATION HVAC	COMMON ALARM	DI	N.O. CONTACT	N/A	N/A	N/A	N/A	

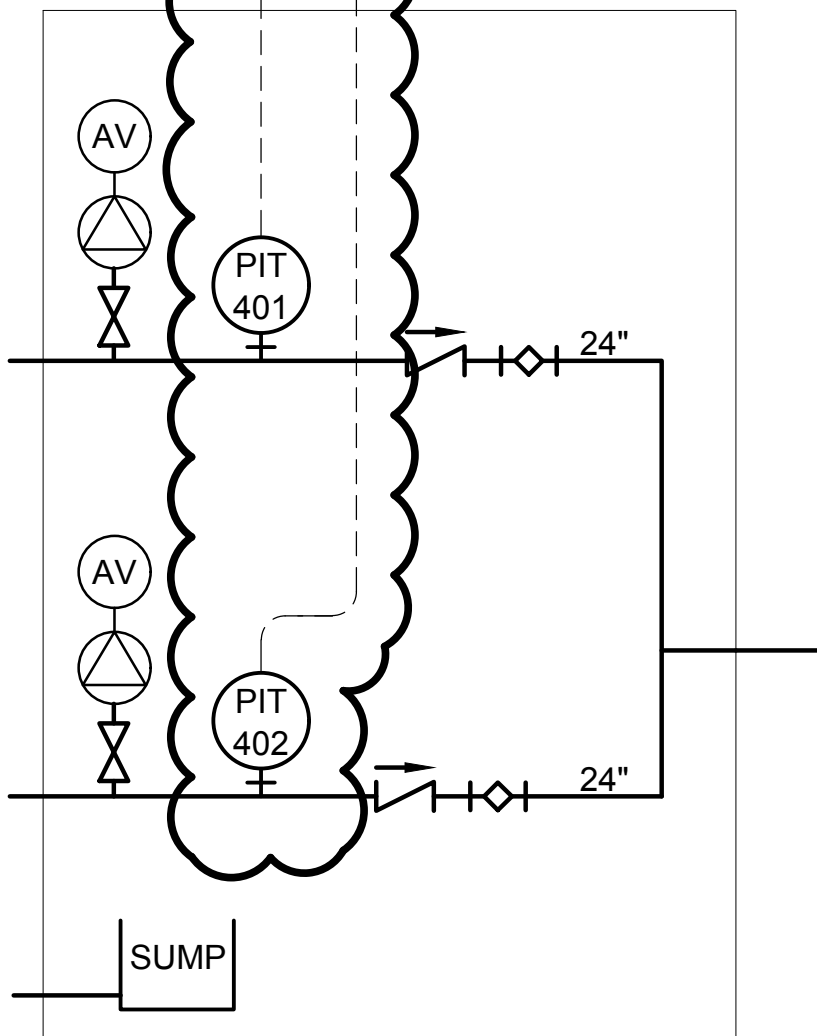
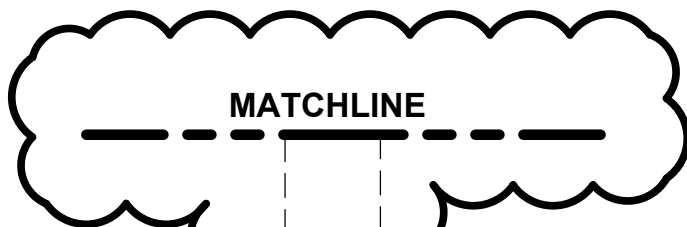
**NOTES:**

1. "SYSTEM" - POWER FROM ASSOCIATED PANEL. "FIELD" - POWER FROM OTHER SOURCE INDICATED ELSEWHERE.
2. PROVIDE TRANSIENT VOLTAGE SURGE SUPPRESSION (TVSS) FOR I/O POINT.
3. RANGE SHALL BE COORDINATED WITH THE EQUIPMENT SUPPLIER.
4. PROVIDE 120VAC POWER SOURCE FROM RTU PANEL FOR INSTRUMENT.
5. COORDINATE RANGES FOR EXISTING DEVICES TO PROVIDE DESIRED FUNCTIONALITY.
6. PROVIDE INTRINSICALLY SAFE BARRIER RELAY IN RTU OR PLC PANEL.

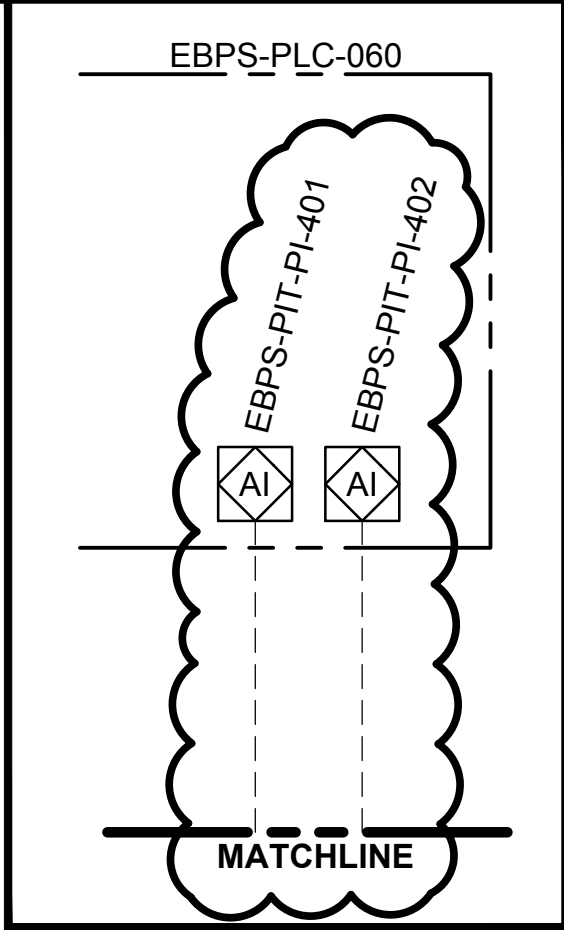
CITY OF CHATTANOOGA, TN  
 CITICO EMERGENCY PUMP STATION  
 INSTRUMENT LIST

1	A		B	C	D	E	F	G		H	I	J	K	L	M	N
	INSTRUMENT TAG NUMBER	TRANSMITTER OR CONTROLLER	ELEMENT	TYPE	DESCRIPTION	FUNCTION	PROCESS CONNECTION(S)	TRANSMITTER	ELEMENT	OUTPUT	RANGE/ SET POINT	ENGINEERING UNIT	XMTR TYPE	POWER	SPECIAL NOTES	
3																
4	PS-FIT-201	PS-FE-201		30" MAGNETIC FLOW METER W/ REMOTE TRANSMITTER	PUMP STATION PUMP 1 DISCHARGE	FLOW	FLANGE	REMOTE	PROCESS PIPE	4-20mA	0 - 20000	GPM	4-WIRE	120VAC	1	
5	PS-FIT-202	PS-FE-202		30" MAGNETIC FLOW METER W/ REMOTE TRANSMITTER	PUMP STATION PUMP 2 DISCHARGE	FLOW	FLANGE	REMOTE	PROCESS PIPE	4-20mA	0 - 20000	GPM	4-WIRE	120VAC	1	
6	PS-FIT-203	PS-FE-203		30" MAGNETIC FLOW METER W/ REMOTE TRANSMITTER	PUMP STATION PUMP 3 DISCHARGE	FLOW	FLANGE	REMOTE	PROCESS PIPE	4-20mA	0 - 20000	GPM	4-WIRE	120VAC	1	
7	PS-FIT-204	PS-FE-204		30" MAGNETIC FLOW METER W/ REMOTE TRANSMITTER	PUMP STATION PUMP 4 DISCHARGE	FLOW	FLANGE	REMOTE	PROCESS PIPE	4-20mA	0 - 20000	GPM	4-WIRE	120VAC	1	
8																
9	EBPS-LSH-101	N/A		FLOAT SWITCH	EBPS WIER DOWNSTREAM HIGH LEVEL BACKUP	LEVEL	IMMERSION	SUSPENDED	N/A	N.O. CONTACT	N/A	N/A	2-WIRE	LOOP		
10	EBPS-LSH-111	N/A		FLOAT SWITCH	EBPS WET WELL HIGH LEVEL ALARM	LEVEL	IMMERSION	SUSPENDED	N/A	N.O. CONTACT	N/A	N/A	2-WIRE	LOOP		
11	EBPS-LSL-112	N/A		FLOAT SWITCH	EBPS WET WELL LOW LEVEL ALARM	LEVEL	IMMERSION	SUSPENDED	N/A	N.O. CONTACT	N/A	N/A	2-WIRE	LOOP		
12																
13	EBPS-LIT-101	N/A		FLEXIBLE LEAD GUIDED WAVE RADAR LEVEL TRANSMITTER	EBPS DIVERSION CHAMBER LEVEL	LEVEL	PROBE	FLANGE	FLEXIBLE LEAD	4-20mA	0 - 40	FEET	2-WIRE	LOOP	2	
14	EBPS-LIT-102	N/A		RIGID LEAD GUIDED WAVE RADAR LEVEL TRANSMITTER	EBPS WIER DOWNSTREAM LEVEL	LEVEL	PROBE	FLANGE	RIGID LEAD	4-20mA	0 - 30	FEET	2-WIRE	LOOP	2	
15	EBPS-LIT-111	N/A		FLEXIBLE LEAD GUIDED WAVE RADAR LEVEL TRANSMITTER	EBPS WET WELL LEVEL	LEVEL	PROBE	FLANGE	FLEXIBLE LEAD	4-20mA	0 - 40	FEET	2-WIRE	LOOP	2	
16																
17	EBPS-PIT-401	N/A		ELECTRONIC GAUGE PRESSURE TRANSMITTER	EBPS PUMP 101 DISCHARGE PRESSURE	PRESSURE	1/2-INCH NPT	WALL	N/A	4-20mA	0-150	PSI	2-WIRE	LOOP	2	
18	EBPS-PIT-402	N/A		ELECTRONIC GAUGE PRESSURE TRANSMITTER	EBPS PUMP 102 DISCHARGE PRESSURE	PRESSURE	1/2-INCH NPT	WALL	N/A	4-20mA	0-150	PSI	2-WIRE	LOOP	2	
19																
20	PS-AIC-001	PS-AE-1	GAS DETECTION TRANSMITTER		PUMP STATION UPPER LEVEL SCREEN ROOM H2S	GAS DETECTION	N/A	WALL	REMOTE	AS INDICATED	10	PPM	5-WIRE	120 VAC	3,4	
21		PS-AE-2			PUMP STATION LOWER LEVEL SCREEN ROOM H2S	GAS DETECTION	N/A		REMOTE	AS INDICATED	10	PPM	5-WIRE		3,4	
22	PS-AIC-002	PS-AE-3	GAS DETECTION TRANSMITTER		PUMP STATION DRYWELL H2S	GAS DETECTION	N/A	WALL	REMOTE	AS INDICATED	10	PPM	5-WIRE	120VAC	4	
23		PS-AE-4			PUMP STATION ELECTRICAL ROOM H2S	GAS DETECTION	N/A		REMOTE	AS INDICATED	10	PPM	5-WIRE		4	
24		PS-AE-5			PUMP STATION EQUIPMENT ROOM H2S	GAS DETECTION	N/A		REMOTE	AS INDICATED	10	PPM	5-WIRE		4	
25	PS-AIC-003	PS-AE-6	GAS DETECTION TRANSMITTER		PUMP STATION LOWER LEVEL SCREEN ROOM COMBUSTIBLE GAS	GAS DETECTION	N/A	WALL	REMOTE	AS INDICATED	TBD	LEL	5-WIRE	120 VAC	3,4	
26		EBPS-AE-1			EBPS WETWELL COMBUSTIBLE GAS	GAS DETECTION	N/A		REMOTE	AS INDICATED	TBD	LEL	5-WIRE		3,4	
27																
28	NOTES:															
29	1. 120VAC POWER SOURCE FOR INSTRUMENT TRANSMITTER SHALL BE SUPPLIED FROM WITHIN THE ASSOCIATED RTU CABINET.															
30																
31																
32	2. PROVIDE TRANSIENT VOLTAGE SURGE SUPPRESSION (TVSS) FOR INSTRUMENT.															
33																
34	3. SHALL BE SUITABLE FOR INSTALLATION IN A CLASS I, DIVISION 2 LOCATION															
35																
36	4. SENSOR CONNECTION VIA MANUFACTURER'S CABLE															

COPYRIGHT © 2017 BURNS & McDONNELL ENGINEERING COMPANY, INC.



EBPS VALVE VAULT



**CITICO RELIABILITY IMPROVEMENTS**  
 REPLACE PRESSURE GAUGES IN  
 VALVE VAULT WITH PRESSURE  
 TRANSMITTERS, DRAWING SHEET D601

project 95307  
 contract W-16-013-201  
**SK - ADD9-001**

date 07/07/2017  
 designed SDA